

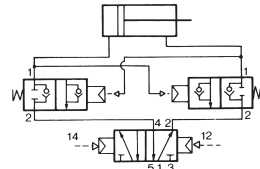
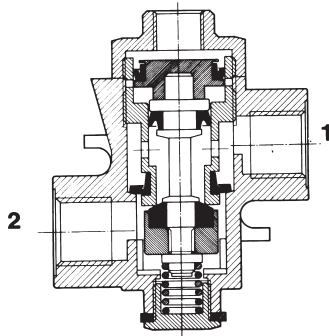


Unidirectional blocking valves are safety devices which can block the cylinder rod when, accidentally, the pressure fails. Bidirectional blocking valves are used to block the cylinder rod when the bistable 5/2 valve that controls it has deenergized pilots. In this case the 5/3 function is obtained.

Max. working pressure: 10 bar
 Ambient and fluid temperature: -20 ÷ +180 °C
 Fluid temperature: 50°C max.

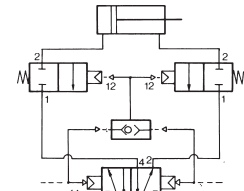
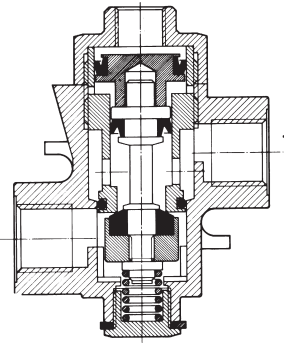
Body: die-cast zamak
 Oil proof seals
 Fluid: filtered air with or without lubrication

Unidirectional blocking valve



Functioning: the valve in rest position allows the air flow from 2 to 1; air flows from 1 to 2 only when it receives the control signal.
Use: when mounted on the cylinder (opening 1 connected to the cylinder) the valve blocks the cylinder when pressure accidentally fails.

Bidirectional blocking valve

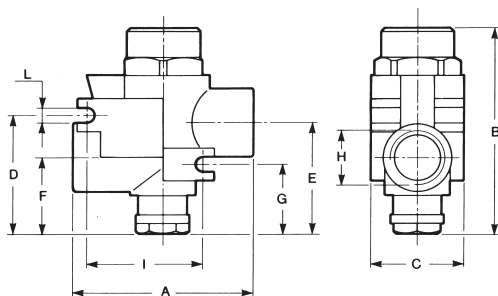


Functioning: the valve allows the air flow from 2 to 1 (or from 1 to 2) only when it receives the control signal.
Use: when mounted on the cylinder openings it allows the 3 position operation (closed centres) although a 5/2 valve controls the cylinder. This is reached by connecting the opening 2 to the cylinder, the opening 1 to the 5/2 valve and controlling the two valves at the same time through an OR. The OR inputs must be connected to the control impulses of the 5/2 valve.

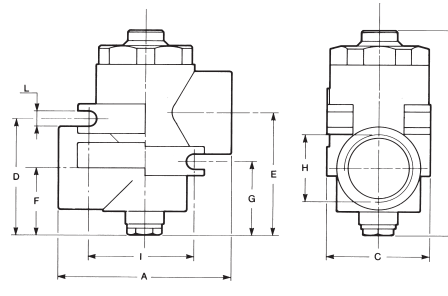
Type	Symbol	Function	Ports	Capacity NI/min	Ø mm	Pressure bar	Mass kg	Part number
		unidirectional	G 1/8	620	6,5	1,5 ÷ 10	0,110	AM-5500
			G 1/4	620	6,5		0,110	AM-5501
			G 1/4	2100	9,5		0,110	AM-5502
			G 3/8	2100	9,5		0,150	AM-5503
			G 1/2	3500	15		0,360	AM-5504
		bidirectional	G 1/8	620	6,5	1,5 ÷ 10	0,110	AM-5510
			G 1/4	620	6,5		0,110	AM-5511
			G 1/4	2100	9,5		0,110	AM-5512
			G 3/8	2100	9,5		0,150	AM-5513
			G 1/2	3500	15		0,360	AM-5514

Overall dimensions

Blocking valves with G 1/8 - G 1/4 ports



Blocking valves with G 1/4 - G 1/8 - G 1/2 ports



A	B	C	D	E	F	G	H	I	L
46	58	24	31	29	20	18,5	G 1/8	31	4,25
							G 1/4		
50	65	28	35	38	21	24,5	G 1/4	37	5,25
							G 3/8		
67	81	40	46	48	27	28,5	G 1/2	42	6,25