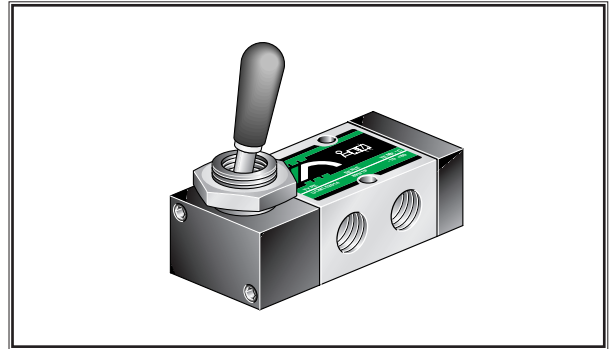
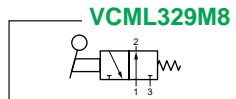
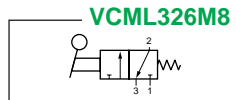
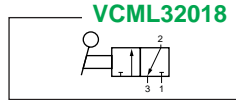
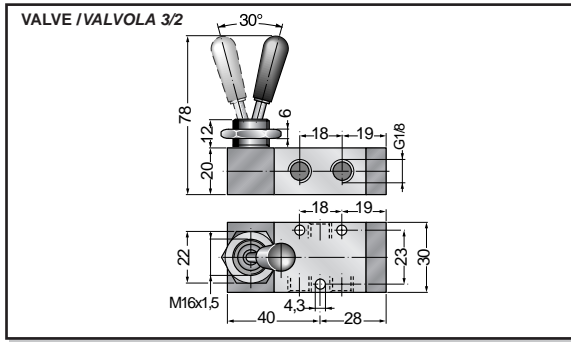


LEVER VALVES / VALVOLE COMANDO A LEVA

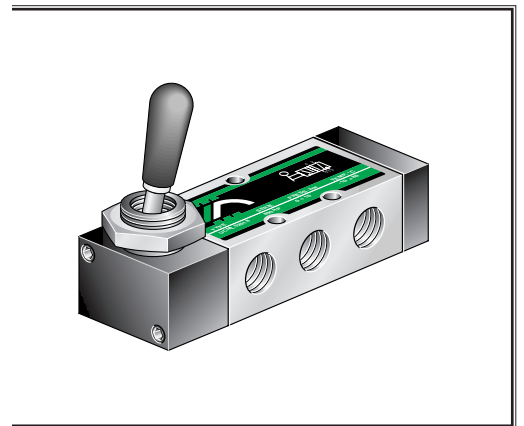
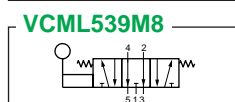
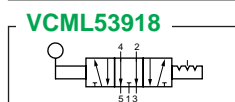
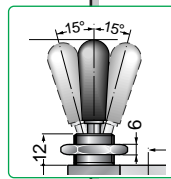
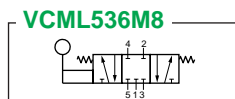
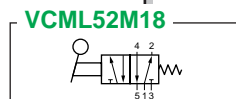
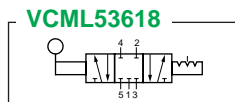
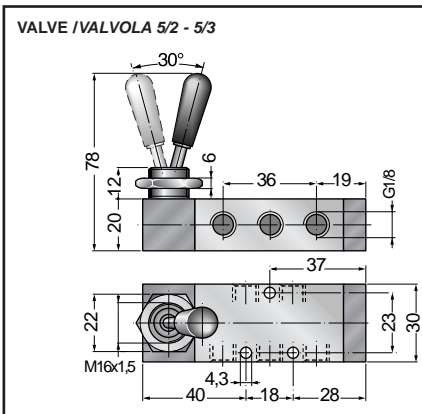
PORT CONNECTION G1/8 - LEVER VALVE / CONNESSIONI G1/8 - COMANDO MANUALE A LEVA

VCML32..8



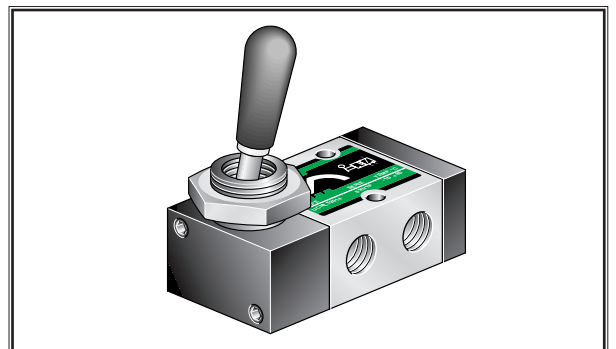
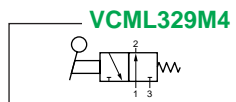
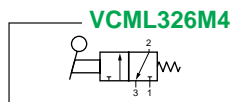
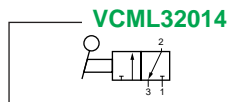
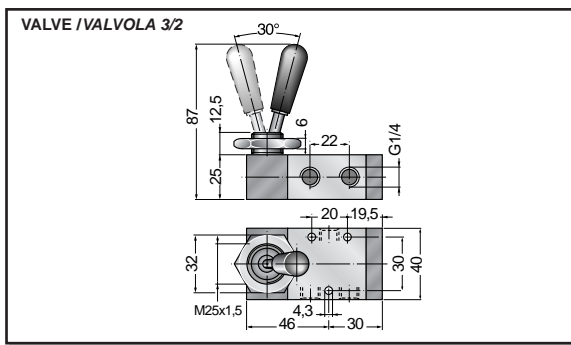
PORT CONNECTION G1/8 - LEVER VALVE / CONNESSIONI G1/4 - COMANDO MANUALE A LEVA

VCML5 ... 8



PORT CONNECTION G1/4 - LEVER VALVE / CONNESSIONI G1/4 - COMANDO MANUALE A LEVA

VCML32..4



PORT CONNECTION G1/4 - LEVER VALVE / CONNESSIONI G1/4 - COMANDO MANUALE A LEVA

VCML5 ... 4

