

Serpentine II, VI Triple Pass Heaters

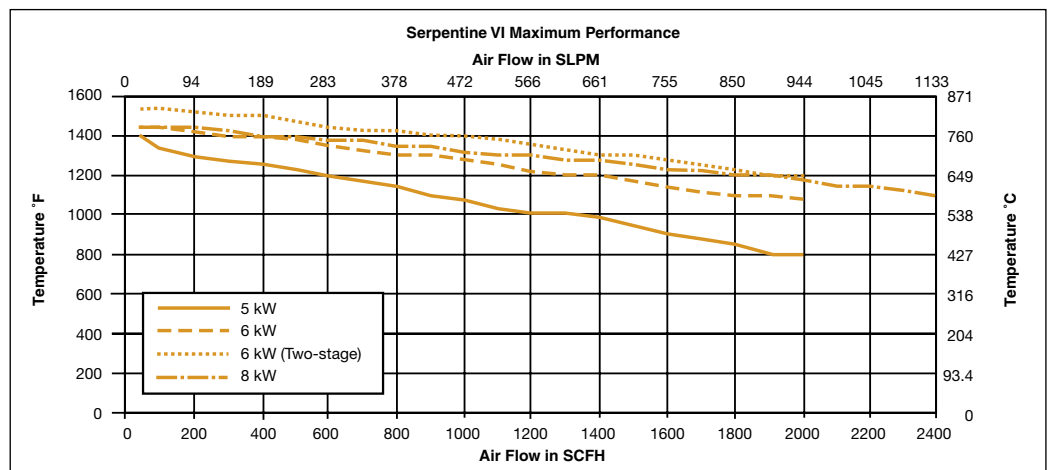
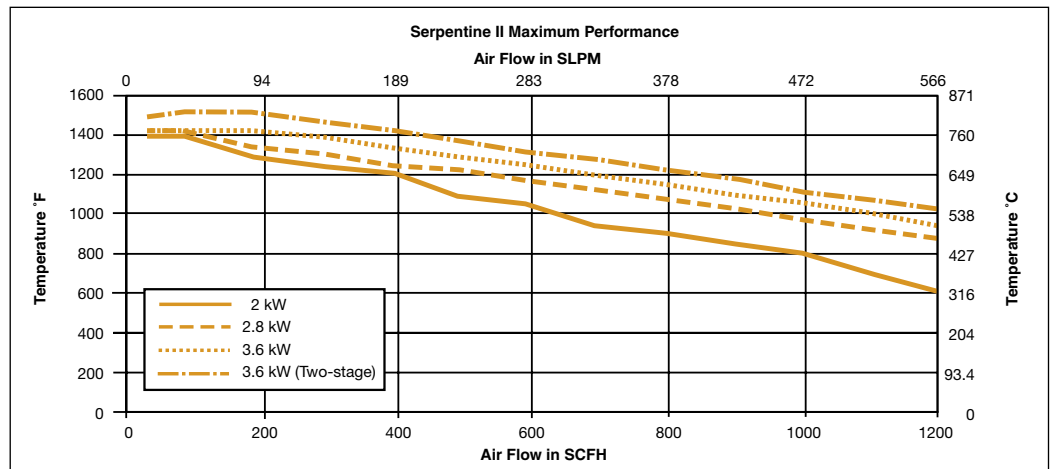
8

Specifications

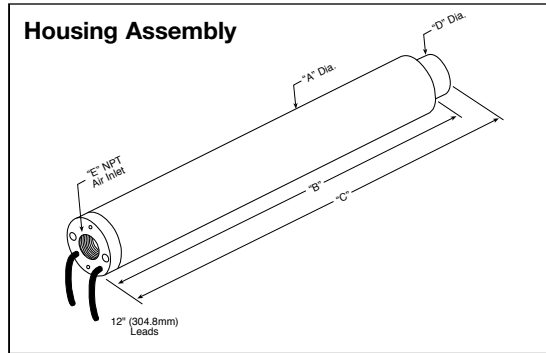
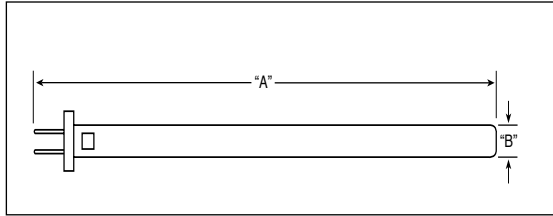
- Air temperatures controllable to 1500°F (815°C)
- Serpentine II to 3.6kW
- Serpentine VI to 8.0kW
- Triple Pass Heat Exchanger uses incoming air to cool outer shell
- Maximum air pressure 25 PSI (1.7 bar)
- Replaceable element assemblies
- CE compliant



Performance



Installation



Products

Serpentine II Elements used with housing 029763

Part Number	Max. Watts	Max. Volts	Max. Amps	Length "A"	O.D. "B"
029765	2kW	240	8.3	8.20" (208mm)	0.63" (16mm)
029766	2.8kW	240	11.7	8.20" (208mm)	0.63" (16mm)
029767	3.6kW	240	15	8.20" (208mm)	0.63" (16mm)
060418	3.6kW (Two-stage)	240	15	8.63" (219mm)	0.63" (16mm)

Serpentine VI Elements used with housing 057088

Part Number	Max. Watts	Max. Volts	Max. Amps	Length "A"	O.D. "B"
040291	5kW	240	20.8	10.88" (276mm)	1.25" (32mm)
040292	6kW	240	25	10.88" (276mm)	1.25" (32mm)
061429	6kW (Two-stage)	240	25	10.88" (276mm)	1.25" (32mm)
056548	8kW	240	33.3	10.88" (276mm)	1.25" (32mm)

Housing Assemblies

Part Number	Serpentine Type	"A"	"B"	"C"	"D"	"E"
029763	II	1.6" (40mm)	9.0" (229mm)	10.0" (254mm)	0.7" (18mm)	3/8" NPT
057088	VI	2.1" (54mm)	11.9" (302mm)	12.9" (327mm)	1.4" (35mm)	3/4" NPT

Accessories

Part Number	Description
039739	Serp II base adaptor assembly
042339	Serp VI base adaptor assembly
029485	Serp II TC holder (includes TC)
040299	Serp VI TC holder (includes TC)
039272	"K" type thermocouple probe, 3/16" (4.8mm) O.D.
066823	Closed loop power control, 240V, 30A, 4-20mA
057081	Open loop (manual) power control, 240V, 25A
070429	Digital temperature controller, 1/16 DIN, 4-20mA