



Elektroluks Bitola

KANALEN VOZDUSEN GREJAC SO KANTAL

Frame Duct Heaters



Our open frame duct heaters are very rugged and efficient air heaters. They are designed to heat large volumes of air in ducts. The open designs provide very low pressure drops across these heaters. Our low static pressures allow customers to use smaller and more economical blowers since there is little restriction of air flow. Systems can be more efficient.

These heaters themselves are inherently very efficient since the circuits are exposed directly to the air flow. So, heat transfer from the wire to air is direct and immediate. As a result, these heaters give their heat readily to the air and remain relatively cool themselves which affords long life. Fast warm-up and cool-down times are inherent advantages.

We've designed these for easy installation into a duct. There are several standard sizes available which can be tailored for your particular needs. The following drawings and specs will demonstrate the range. Voltages up to 480 volts single or three phase are available.

These open frame duct heaters have a long history of trouble free service in the field. The inherent efficiency of the design assures that excessive temperatures don't build up in the heater to shorten it's life. And, since the heater is so open, it does not congest or tax the overall air delivery system.



Ovoј crtez e сопственост на Electrolux-Bitola. Bez negovo писмено одобрување истиот несмее да се препишува, умножува нити копира без согласност од Electrolux во спротивно се снасат последици во смислана членовите 163 i 164 од кривичниот закон R.M. (повреда на авторско право)

Браќа Минџови бр.18, Стара Царница Битола. Г.Т.Ц.Бунјаковец Скопје
Тел/Факс: 047/203-900; 203-330; 070/237-108
Тел/Факс: 02/329 8 130; 070/237 198

www.elektroluks.com.mk, www.electrolux.com.mk, electrolux@mt.net.mk

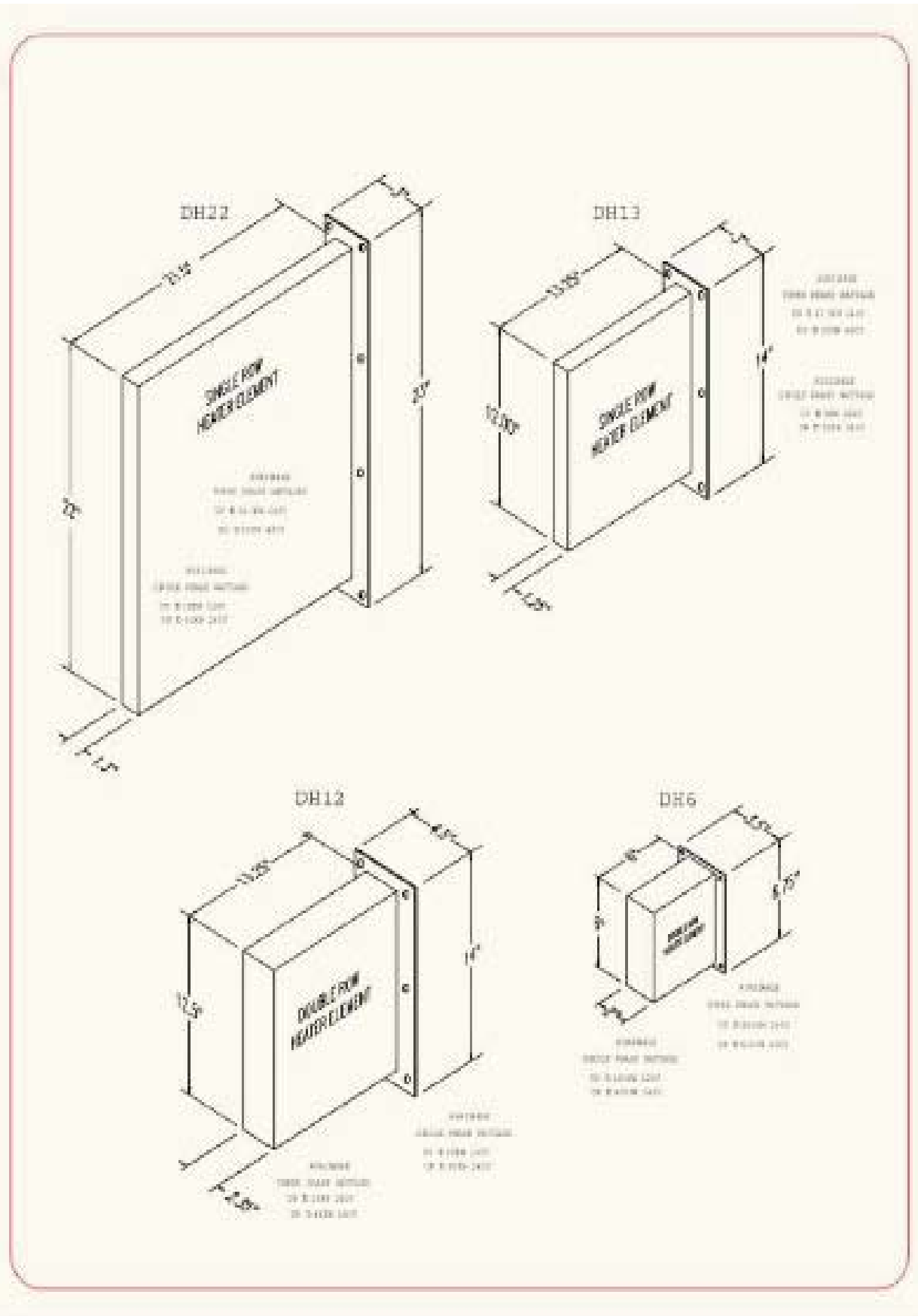
Elektroluks is registered trademark of Elektroluks companies in Macedonia and other countries



Електро Лукс Electrolux Bitola

KANALEN VOZDUSEN GREJAC SO KANTAL

Ovaj crtez e sopstvenost na Electrolux-Bitola. Bez negovo pismeno odobruvanje istiot nesmee da se prepisiva, umnozava niti kopira bez soglasnost od Electroluks vo sprovitno se snosat posledici vo smislana clenovite 163 i 164 od Krivichnot zakon R.M. (povreda na avtorsko pravo)



Electroluks is registered trademark of Elektroluks companies in Macedonia and other countries