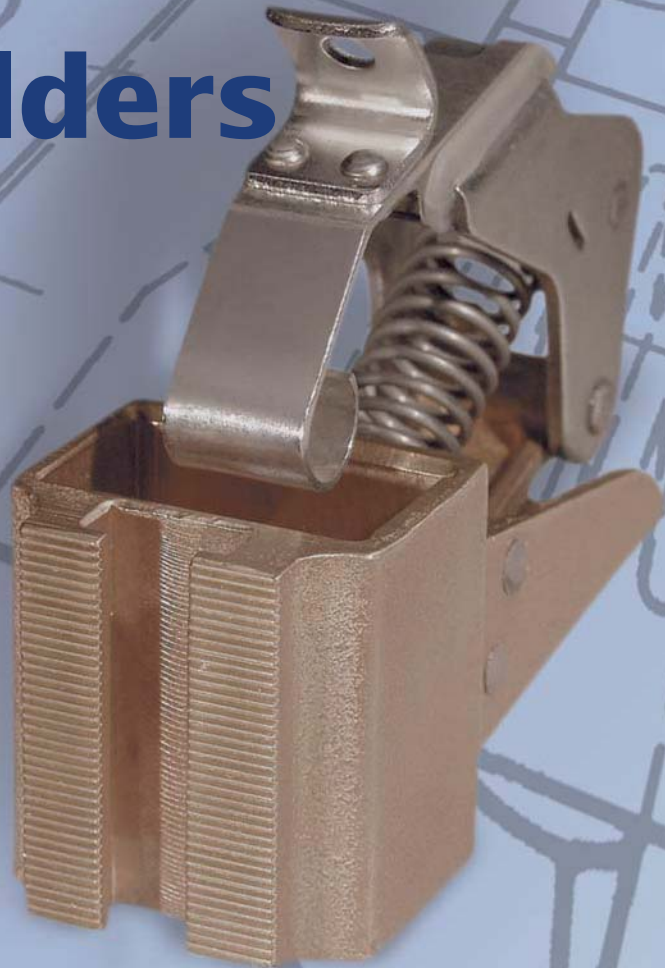


# Schunk Brush Holders



## Types and Variants



# Types and Variants

## Single Brush Holders

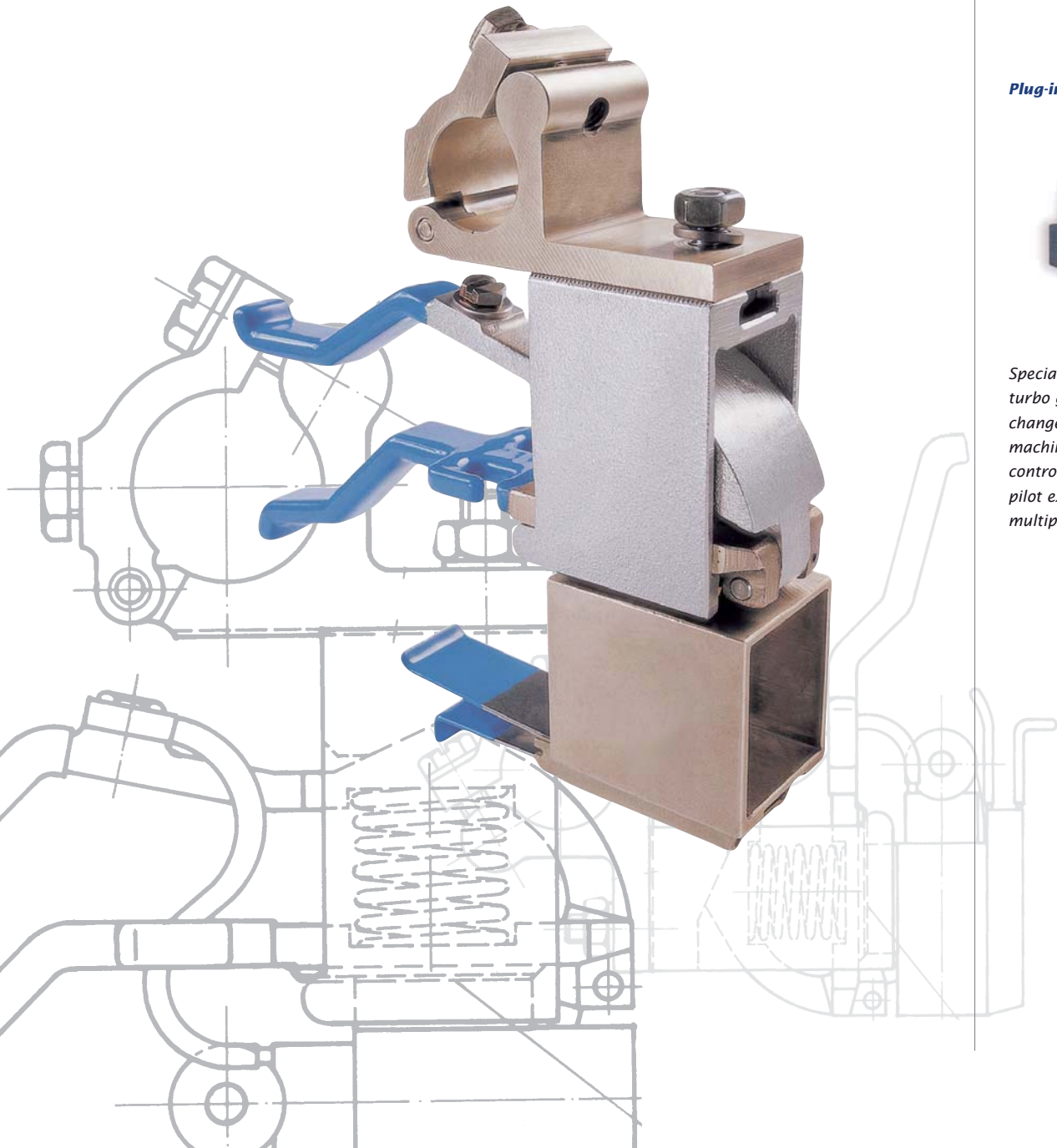


Applicable in commutator machines, large variety of types, different pressure systems, sheet metal and cast designs

## Plug-in Brush Holders and Elements



Special brush holders for turbo generators, safe brush change during running machines, simple brush wear control, plug-in elements for pilot exciters, simple and multiple types



### **Tandem Brush Holders**



Preferably for large machines, for heavy operating conditions, for tangentially broad carbon brushes, independently working pressure devices for both brushes

### **Double Clamp Brush Holders**



For slipring machines, sheet metal and cast designs, adjustable for different slipring diameters, with and without pressure adjustment, with and without phase connections

### **Leg Brush Holder**



For slip-ring rotor machines, simple and double leg design, with one or two-piece brass shim, legs out of brass plate

### **Flange Brush Holders**



Simple and multiple types of flange brush holders out of brass plate or gravity die casting, different pressure elements

### **Multiple Brush Holders**



More compactly designed as single holders, shorter commutator possible, attachment slot before the brush boxes

### **Row Holders with Wear Leveling**



Application preferably for row holders, pressure balance at a row holder by means of a directed counter acting force by a spring forced frame, extension of the brush service life

### **Current Leads**



Application for adjustable clutches, bronze brushes for unlubricated operation, textural brushes for wet run, oil-tight installation

### **Tubular Brush Holders**



Use in small motors, simple brush change, brush box out of brass profile or sheet metal, insulated with laminated paper or plastic-repressed, plug-in connection, soldering groove or screw connection

### **Accessories**



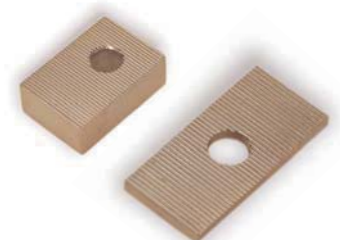
Clamps of all kinds for holder attachment



Insulated attaching studs with laminated paper and plastic-repressed



Rocker ring



Clearance pieces and shims

## Information Hotline

Please do not hesitate to contact us if you have any questions about Schunk Brush Holders as well as

- Application Technology
- Prototyping
- Test and Laboratory Equipment
- Test Stands
- CAD/CAM/PLM Design/Development
- Materials

## Other Products and Services

- Contacts and Flexibles
- Systems for Power Transmission
- System Assemblies
- On-site Service
- Oscillation Examinations
- 3D Measurements

## Contact

Telephone: +49 (6 41) 8 03-0  
Telefax: +49 (6 41) 8 03-139

E-Mail:  
sales.sbi@schunk-group.com

## Schunk Bahn- und Industrietechnik GmbH

Hauptstrasse 97  
35435 Wettenberg  
Germany

Telephone: +49 (6 41) 8 03-0  
Telefax: +49 (6 41) 8 03-139

[www.schunk-sbiw.com](http://www.schunk-sbiw.com)