

DOMETIC COMFORT



More light.
Better protection.

Including fair novelties for 2006



 **Dometic**

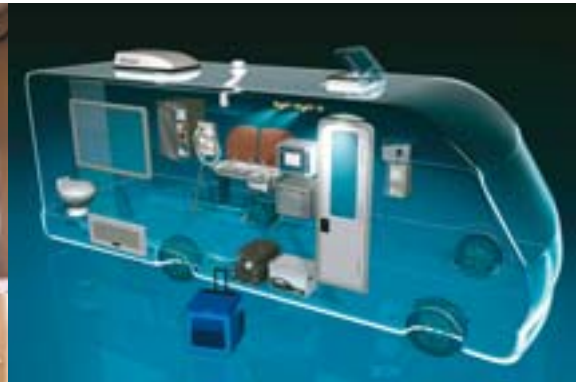
 

■ Dometic.

The Satisfaction Network.

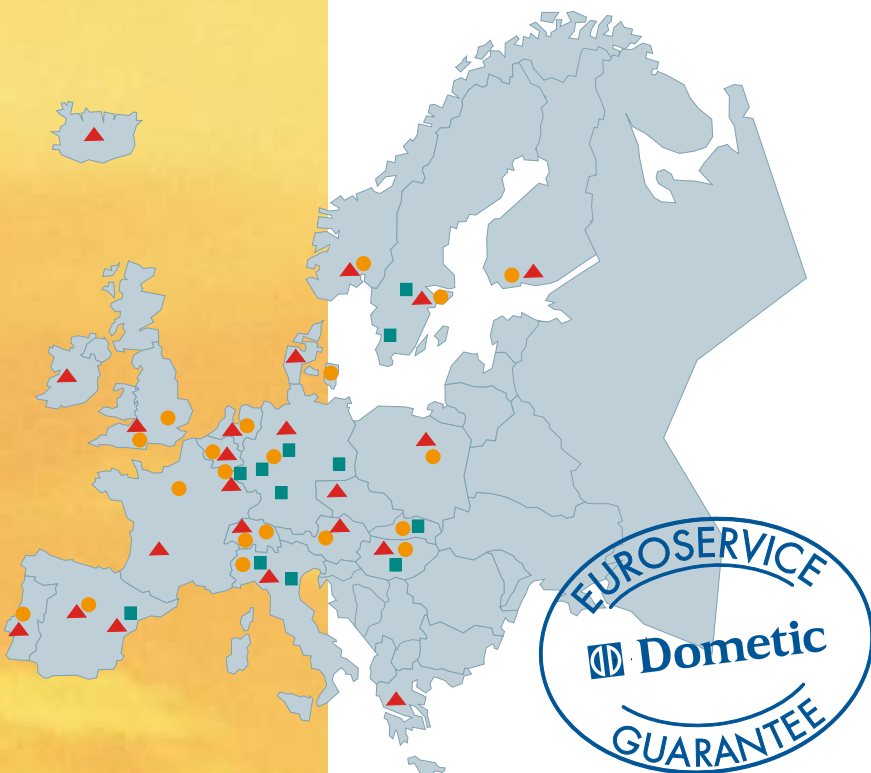
**An ideal combination:
Premium comfort ...**

Dometic is the leading system supplier and an expert when it comes to feeling at home in a caravan or motorhome: premium comfort on the move is what we continually strive for. No matter if it's a fridge, air condition, window or light, every item is perfect, from design to assembly. Dometic sets the quality standard in the vehicles of all relevant manufactures worldwide. With more than 80 years expertise in making you feel at home. And with the ambition to offer you even more comfort with every new product.



... meets premium service!

Dometic products not only give you premium comfort. Premium service is part of the deal: we call it our "EuroService" guarantee for products such as AirConditioners, Generators and Refrigerators: Rely on our comprehensive network of authorised service stations all across Europe. Wherever you go, you can leave all the trouble behind and relax. As exemplary as the Dometic service are our activities to protect the environment: Dometic factories are certified as per ISO 9001, ISO 9002, ISO 14001 and the Eco-Audit.



Our Network throughout Europe:

- ▲ Servicecenter
- Sales
- Factory

Dometic.

is a customer driven, world-leading provider of innovative leisure products for the caravan, motorhome and marine markets. Dometic offers a complete range of air conditioners, refrigerators, awnings, cookers, sanitation systems, lighting, windows, doors and other equipment that makes leisure life more comfortable away from home.

Dometic also provides refrigerators for specific use in hotel rooms, offices and for storage of medical products and wine. Dometic's products are sold in almost 100 countries and are produced mainly in Dometic's own production facilities around the world. Annual sales amount to approximately 750 MEUR. Dometic has more than 4.400 employees.



Seitz has been established in 1985. In 2001 the company was incorporated and has become a significant part of Dometic ever since. Today, Seitz develops and manufactures high-quality products for recreational vehicles at two factories, located in Krautheim, Germany, and Tidaholm, Sweden. Seitz products are distributed to caravan manufacturers worldwide and, through authorised dealers, to end customers. All across the various product areas, Seitz has always been known as a pioneer, setting the standards with their innovative ideas.

Page 04__Heki

Page 11__Window

Page 12__Blind systems

Page 14__Safety net, insect protection
and locker doors

Page 15__Safes

Page 16__Technical Data



■ For caravans and motorhomes

NEW

▶ SEITZ HEKI 4PLUS

Enjoy more light and better ventilation by remote control with the Heki 4plus! The advanced Duette honeycomb system ensures excellent thermal insulation, while built-in convenience lights add subdued illumination to your caravan or motorhome.

- Remote electric operation
- Acrylic double-glazed dome light (tinted in grey) can be opened up for ventilation to 70° maximum when the vehicle is stationary
- Lateral straps reduce the degree of light between Duette honeycomb material and frame
- Frame made of weather-proof ASA
- Robust locking system inside the outer frame
- Longitudinal or transverse mounting
- Integrated energy-saving light (2 x 8 Watt) for soft, subdued illumination
- Dome closes automatically if it rains
- Control lamp indicates correct locking of dome
- The innovative Duette honeycomb material ensures greatest possible thermal insulation and cosy comfort
- Lights can be operated separately
- Easy installation
- Frame colour cream white RAL 9001
- Surface area for installation: 1.080 x 790 mm
- Aperture size: 960 x 655 mm
- For roof thickness from 25 to 60 mm
- Clear opening approx.: 745 x 533 mm
- Radius in corners 4 x 65 mm
- Fly net and blind are guided sideways
- Inner frame with pleated fly net and Duette honeycomb blind, seamlessly adjustable
- Shading through pleated fly net
- Weight only 15.5 kg



■ More light, more fresh air



The dome closes automatically via sensor if it rains



Heki 4plus can be opened and closed with absolute ease thanks to the easy-to-use remote control. Even the illumination, energy-saving 2 x 8 Watt lamps, are integrated into the inner frame



Pleated fly net and blind, seamlessly adjustable



Closed

2/3 opened

Fully opened

■ Light, robust, convenient

NEW

▶ SEITZ HEKI 3PLUS

Enjoy more light and better ventilation with the Heki 3plus! Like Heki 4plus the advanced Duette honeycomb system ensures excellent thermal insulation, while built-in convenience lights add subdued illumination to your caravan or motorhome.

- Made of robust, weather-proof ASA
- Lateral runners reduce the incidence of light between Duette honeycomb material and frame
- Acrylic double-glazed dome light (tinted in grey) can be opened up for ventilation to 70° maximum when the vehicle is stationary
- Large overlap of glazing panel prevents water from penetrating when dome is raised
- Inner frame with seamless adjustable fly net, can be operated together with Duette blind
- Integrated energy-saving light (2 x 8 Watt) for soft, subdued illumination
- Safe and easy operation. Thanks to winding handle, acrylic dome can be opened smoothly
- The innovative Duette honeycomb material ensures greatest possible thermal insulation and cosy comfort
- Robust locking system inside the outer frame reduces the risk of unwelcome intrusion from the outside
- Frame colour cream white RAL 9001
- Surface area for installation: 1.080 x 790 mm
- Aperture size: 960 x 655 mm
- For roof thickness from 27 to 60 mm
- Clear opening approx.: 745 x 533 mm
- Radius in corners 4 x 65 mm
- Longitudinal or transverse mounting
- Pleated fly net and Duette honeycomb blind system in inner frame, seamlessly adjustable
- Shading through pleated fly net
- Weighs only 15 kg

Pleated fly net and blind system can be adjusted seamlessly and independent of each other.

■ Long live cosiness

▶ SEITZ HEKI 2 DE LUXE FOR CARAVANS

The highly successful Heki 2 for caravans has been improved even further. Subdued lighting and optimal thermal insulation provide comfortable cosiness.

- Integrated 4 x 5 Watt bulbs for soft and subdued lighting
- Innovative Duette honeycomb material for greatest possible thermal insulation
- Blind and fly net mounted to the inner frame, can be operated together seamlessly, by means of 2 fixing bars
- New fixing bars specially developed to match the colours of the inner frame
- Inner frame available separately for upgrading the proven Heki 2

The Duette honeycomb material is the innovative solution for darkness with best possible isolation.



Gentle, subdued lighting provides cosiness

The Duette honeycomb material:

- offers a high degree of thermal insulation by hollow chamber construction
- absorbs up to 99% of harmful UV rays through the inner aluminium lining of the honeycomb material
- promotes the feeling of warmth and cosiness.

■ Fresh air and daylight overhead



▶ SEITZ HEKI 2 FOR CARAVANS

Produced with ASA, a highly weather-proof injection moulded material. Double glazed acrylic panel can be opened assisted by pneumatic stays, with 3 ventilation options.

- Bad weather and night setting approx. 12 mm – rain can not penetrate into the caravan, wind can not lift the panel
- Middle ventilation setting approx. 150 mm (locked by operating bar)
- Fully opened at approx. 55°
- Roller fly net and blind in the inner frame, seamlessly adjustable
- Frame colour cream white RAL 9001
- Surface area for installation: 1.080 x 790 mm
- Aperture size: 960 x 655 mm
- For roof thickness from 25 to 60 mm, installation possible up to 60 mm by cutting the inner frame
- Clear opening 780 x 530 mm
- Radius in corners 4 x 65 mm
- Weight approx. 11 kg

▶ SEITZ HEKI 1 FOR MOTORHOMES

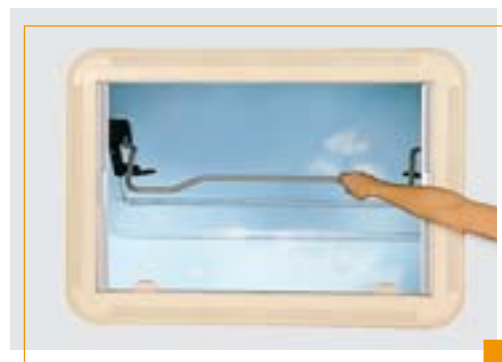
With acrylic double glazing and polyurethane frame, for high insulation. Can be installed longitudinally or transversely to the roof.

- Robust locking system inside the outer frame reduces risk of unwelcome intrusion from outside
- Opening up to 70° maximum when the vehicle is stationary
- Large overlap of glazing panel virtually eliminates the possibility of water penetrating, so the dome can be raised up to 40 mm when raining
- Inner frame with blind and fly net, can be operated together, seamlessly adjustable
- Frame colour cream white RAL 9001
- Surface area for installation: 1.100 x 820 mm
- Aperture size: 960 x 655 mm
- Clear opening: 790 x 510 mm
- Radius in corners 4 x 50 mm
- For roof thickness' 27 mm; installation possible up to 60 mm by cutting the inner frame
- Weight approx. 22 kg

The spoiler reduces possible, vehicle-specific wind noise when fitted longitudinally or transversely to the leading edge. Two sizes are available:

Longitudinal mounting: 810 x 120 x 50 mm (L x W x H), short version

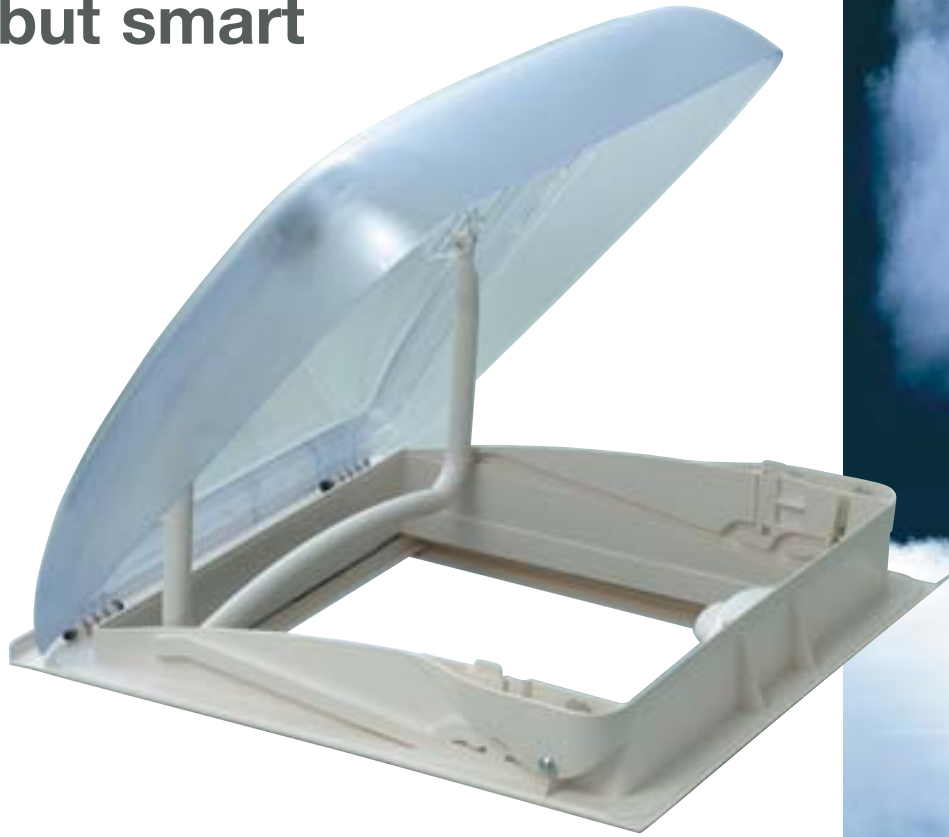
Transverse mounting: 1.110 x 120 x 50 mm (L x W x H), long version



Fully opened, the glazing panel of the Heki 2 is held by pneumatic stays at approx. 55°.



■ Small but smart



▶ SEITZ MINI-HEKI

A bright idea for more light and fresh air. Exceptionally well suited for installation in standard-sized dome lights (400 x 400 mm), the Mini-Heki ensures a maximum incidence of light.

- Double-glazed, aerodynamically shaped glass dome made of unbreakable Polycarbonate and tinted light grey
- Inner and outer pane are glued together, so easy to clean
- Opens in 3 positions: completely open, half open and bad weather position
- With the glass overlapping the sides, and the outer frame stands up, so no water can splash inside when the glass dome is in bad weather position
- Easiest possible adjustment of the glass dome by means of a handy operating lever; the dome is automatically locked when closed
- Frame made of durable, weatherproof ASA
- Version without compulsory ventilation comes with lateral runners - reducing the incidence of light between frame and single-patented blind
- Available with or without fixed ventilation
- Cut-out dimensions: 400 x 400 mm (standard dome light size)
- Clearance: 370 x 380 mm for maximum incidence of light
- Easy installation in roofs with a thickness of 25 to 60 mm
- Weight only 3.3 kg
- Radius in the corners 4 x 12 mm
- Middle position with separate locking
- Frame colour: RAL 9001



■ Highest handling comfort with bar, crank or electronic control

NEW

▶ SEITZ MIDI HEKI

The Midi Heki not only offers perfect incidence of light, but also very easy handling and highest comfort for perfect ventilation – thanks to the new crank and electronic versions. Like the Midi Heki with operating bar blind and fly net are guided sideways to allow perfect control. All blind systems are seamlessly adjustable and can be operated independently of each other. The cut-out dimensions are 700 x 500 mm.



with bar



with crank



with electronic drive

- Double-glazed, aerodynamically shaped glass dome made of acrylic glass and tinted light grey
- Maximum opening position: normal version 45° in 3 opening positions, crank and electronic models 60° seamlessly adjustable
- With the glass overlapping the sides, and the outer frame stands up, so no water can splash inside when the glass dome is in bad weather position
- Easiest possible adjustment of the glass dome by means of a handy operating lever; the dome is automatically locked when closed
- Frame colour: RAL 9001
- Frame made of durable, weatherproof ASA
- Crank and electronic model can be upgraded with additional fly net frame
- Cut-out dimensions: 700 x 500 mm
- Radius in corners 4 x 12 mm
- Clearance: 585 x 404 mm for maximum incidence of light
- Easy installation in roofs with a thickness of 25 to 60 mm
- Weight: 8.0 kg with bar, 8.5 kg with crank, 9 kg with electronic control
- Blind and fly net are guided sideways and can be adjusted seamlessly, independent of each other
- Easy adjustment of the glass dome via operating bar, crank or electronic control, safety look in closed position
- Glass dome opens seamlessly (up to approx. 60°)



Fly net frame (optional accessory)

■ Total window comfort

▶ SEITZ S4 FRAMED WINDOWS

The proven complete window system for caravans and motorhomes. Ready to install, with grey acrylic double glazed pane, integrated roller blind and fly net. Excellent thermal insulation, equal to normal house building standards.

- Central one-hand control system combines fly net and blind
- Easy movement into various positions
- Available as **Hinged window** with telescopic arms and safety catches or as **Sliding window** with safety catch to stop the window being opened from outside, available as left and right hand versions (as per direction of travel), front window is sliding, back window is fixed
- Simple and quick installation to wall thickness from 26 up to 41 mm: outer and inner frames are simply screwed together from inside, clamping the window to the vehicle wall, giving pressure for a lasting and continuous seal
- Colours: Outer frame black RAL 9005. Inner frame cream white RAL 9001. Blind white interior with an aluminium coating to the outside. Fly net unpatterned white. Acrylic pane grey.
- Available sizes see page 17



▶ SEITZ ACRYLIC CLEANER

Prevents the antistatic charging, removes light stains and dust which clings loosely to the pane. Easy to apply, recommended for regular care.

- Cleans and cares at the same time
- Prevents static charging and attraction of dust
- Removes dust and dirt, even fat and nicotine stains
- Does not cause tension cracks
- Does not contain any harmful solvents
- Ready to use



Tip for window care

“Tension cracks can be avoided by using the Seitz acrylic cleaner.”



▶ SEITZ ACRYLIC POLISH AND CLOTH

Light scratches and matt areas can be removed with the acrylic Polishing Paste and the special polishing Cloth.

■ Perfect Protection

▶ SEITZ RASTROLLO 2000

With tried and tested spring motor technology and a positive variable adjustment system, ideal for free hung windows.

- Fitted with a roller fly net for insect protection, and a roller blind for sun protection and blackout purposes
- Both fitted into a plastic cassette mounted over the top of the window aperture inside the vehicle
- Vertical guide rails on each side of the window
- Slots in the cassettes for air circulation to pass the glazing panel when blind closed
- Guide rails can be trimmed to reduce the height of the blinds
- Blind fabric aluminium coated to the exterior face
- Cassette and guide rails obtainable in grey white (RAL 9002) or pearl white (RAL 1013) with matching blind fabric (Exterior aluminium coated for heat reflection), fly net unpatterned white.
- Available sizes see page 18
- Colour: Fiat bianco

▶ SEITZ COMBI CASSETTE BLIND

Optimum sunshade. The fly net mounts to the top of the window aperture, the blind at the bottom.

- Slots in the cassettes for air circulation to pass the glazing panel when the blind is closed
- One-hand operation for locking in different positions
- Vertical guide rails can be trimmed
- Cassette and guide rails obtainable in grey and beige with matching blind fabric (Exterior aluminium coated for heat reflection)
- Available sizes see page 18



The high-quality Seitz blinds can be easily recognised by their handles.

■ Against sun, flies and unwanted views

▶ SEITZ SUPERMINI DOUBLE CASSETTE BLIND 1302

Combines a fly screen and a blind in a complete system, which can be operated independently or combined.

- Blind can be positioned short of the top, to leave a small section of fly screen exposed across the window
- Fly net mounts to the top of the window aperture and the blind at the bottom, connected by vertical guide rails
- Trimming the guide rails can reduce the drop of the blinds
- Night latch setting allows ventilation, whilst assuring privacy and insect protection
- Cassette and guide rails grey (RAL 9002) or pearl white (RAL 1013). Blind fabric sand, fly net unpatterned white.
- Blind fabric aluminium coated facing the window for increased insulation
- Available sizes see page 18



▶ SEITZ ROLLER BLIND

Simple sun blind for free hung windows. With mounting brackets, and aluminium bottom bar for ease of handling. The blind can be reduced in width. Available with grey or sand colour fabric, both aluminium coated. Sizes see page 18



▶ SEITZ WINDSCREEN BLINDS

for the Fiat Ducato. Easily fitted to the dashboard without impeding the ventilation outlets. The aluminium coating on the outer face of the fabric helps to reduce heat in the day, and to insulate against cold at night. Provides privacy to the cab area thus acting as a theft protection. Cassette black powder coated with a grey blind fabric.

Available for Fiat Ducato vehicles built from 1994 and later.



Effectively sure

▶ SEITZ INSECT PROTECTION FOR MOTORHOME DOORS

The new, economical solution, to prevent undesirable intrusion by insects. Simple assembly on the upper half of the door.

- Durable powder-coated aluminium profiles
- Robust glass-fibre reinforced fly protection gaze
- Very simply to use
- Small space requirement (depth only 62 mm)
- Available in 2 standard dimensions
Order size 580 x 1.100 = external dimensions
592 x 1.165 mm (width x height) and
Order size 615 x 1.100 = external dimensions
627 x 1.165 mm (width x height)



▶ SEITZ SAFETY NET

For caravans and motorhomes. Secured to the bed base with four eyelet turnscrews, held up by hooking two straps to the roof.

- Easily removable
- Suitable for heights up to 900 mm
- Designed according to automotive industry standards, tested according DIN EN 1645-1 and DIN EN 747-1/2
- Size 1: 1.800 mm wide, 580 mm high
- Size 2: 1.500 mm wide, 580 mm high



▶ SEITZ SK 4-LOCKER DOOR

Manufactured by injection moulding from high grade weatherproof ASA. Simply installed by gluing into the vehicle aperture (horizontally or vertically), no screws are needed.

- Colour: Fiat bianco
- Equipped with a multi locking system (except version 375 x 305 mm)
- Supplied complete with a system lock
- Suitable for wall thickness' from 23 to 42 mm (Versions 375 x 305 and 700 x 305 mm up to 32 mm)
- Available in 5 different sizes, see page 19



The panel cut from the vehicle wall is used for the exterior door panel, the back of which is covered by a piece of vacuum formed ABS.

■ Highest security in smallest spaces

► DOMETIC SAFES

The proven compact safes offer robust quality and easy operation for easy and discrete storage of valuables. The compact steel-casing has internal door hinges and locks without plastic parts which provide the highest level of security against burglary attempts. Additional protection is guaranteed by safety looks and two 18 mm strong steal bolts.

The compact dimensions and low weight allow easy installation into every recreation vehicle. With almost 40 years of experience in the hotel industry Dometic sets the standard for maximum safety and comfort on the move.

Safe everywhere



“The compact safes by Dometic can be installed easily in every vehicle: Ideal for your passport, money and valuables.”



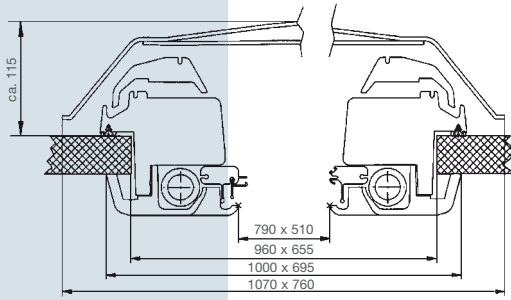
M 280 – sensationally secure



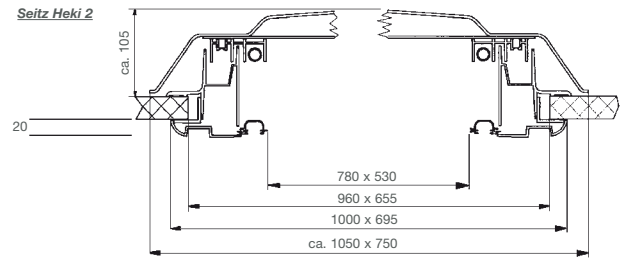
280 – minimum space, maximum security

	M 280	280
Total capacity, (l)	8.3	8.3
Net weight, (kg)	7	7
Height x Width x Depth, mm	165 x 280 x 235	165 x 280 x 235
Closing System	Automatic motor locking	Mechanical key
Type of lock	Electronic	Mechanical
Emergency access	Mastercode or Master key	Master key
Steel thickness (door), mm	5	5
Steel thickness (body)	1.5	1.5
4 function LED display	No	No
Remote Emergency Opening System	No	No
Door handle	Option	Option
Audit Trail	Option	No
Activating Key	Option	No
Left and hinge	Option	Option
Integrated socket	No	No

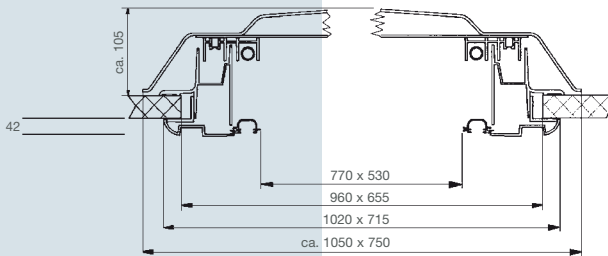
Seitz Heki 1



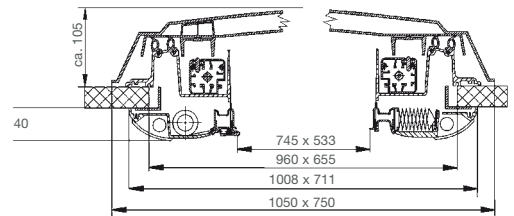
Seitz Heki 2



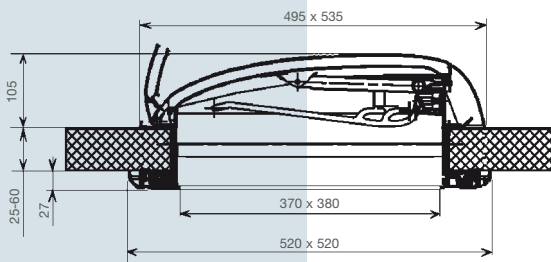
Seitz Heki 2 De Luxe



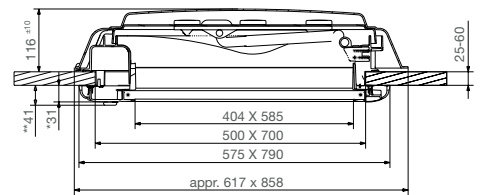
Seitz Heki 3 and Heki 4



Seitz Mini-Heki



Seitz Midi-Heki



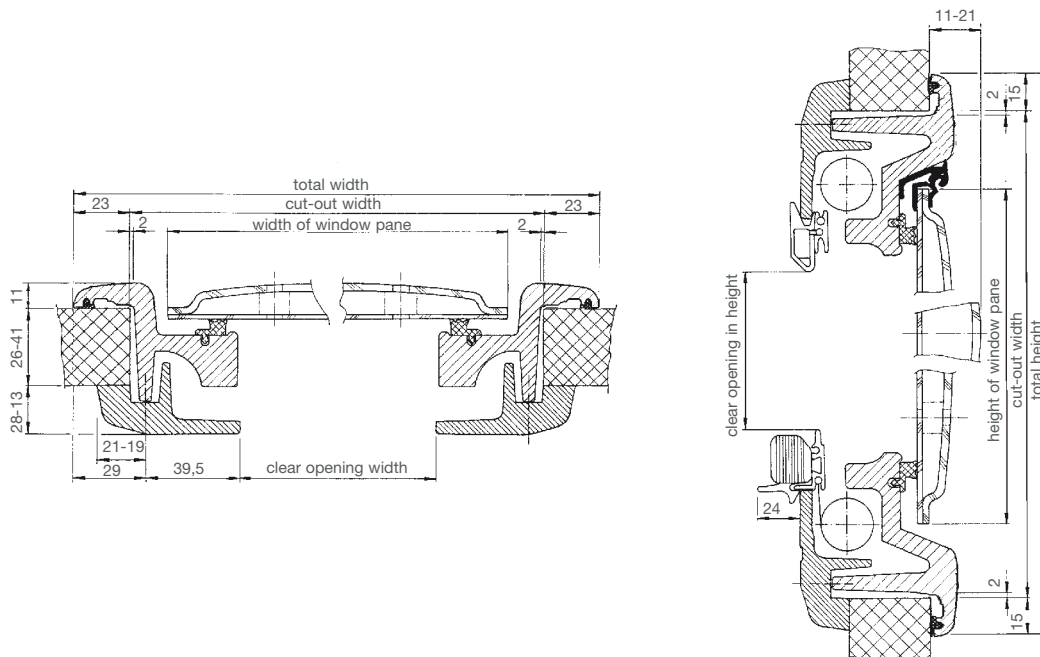
* Bar and electronic model

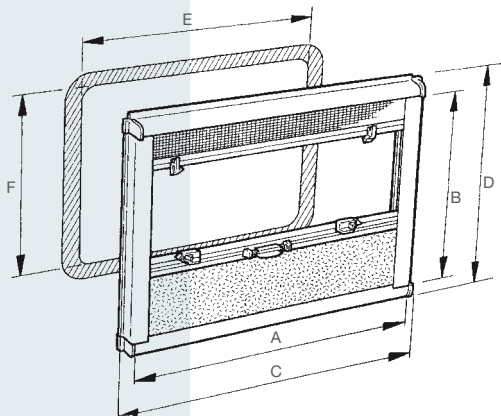
** Crank model

Seitz S4-windows

Ordering size	Hinged window	Sliding window	Overall size	Cut-out size	Corner radius	Clear opening of the hinged window	Weight kg
W x H			W x H	W x H		W x H	
350 x 500	x		393 x 531	347 x 498	R 12	254 x 354	4,1
500 x 300	x		544 x 330	498 x 297	R 12	404 x 154	4,0
500 x 350	x		544 x 380	498 x 347	R 12	404 x 204	4,2
500 x 450	x	x	544 x 480	498 x 447	R 12	404 x 304	5,0
500 x 600	x		544 x 631	498 x 598	R 12	404 x 454	6,0
550 x 550	x		594 x 581	548 x 548	R 12	454 x 404	5,7
550 x 580	x	x	594 x 611	548 x 578	R 12	454 x 434	6,3
550 x 600	x		594 x 631	548 x 598	R 12	454 x 454	6,1
600 x 350		x	644 x 380	598 x 347	R 12	504 x 204	5,0
600 x 500	x	x	644 x 531	598 x 498	R 12	504 x 354	6,1
600 x 600	x	x	644 x 631	598 x 598	R 12	504 x 454	7,0
650 x 300	x		695 x 330	649 x 297	R 12	554 x 154	4,8
700 x 300	x	x	745 x 330	699 x 297	R 12	604 x 154	5,3
700 x 400	x	x	745 x 430	699 x 397	R 12	604 x 254	6,1
700 x 450	x	x	745 x 481	699 x 448	R 12	604 x 304	6,5
700 x 550	x	x	745 x 581	699 x 548	R 12	604 x 404	7,4
700 x 600	x	x	745 x 631	699 x 598	R 12	604 x 454	7,7
750 x 400	x	x	797 x 430	751 x 397	R 12	654 x 254	6,4
750 x 450	x		797 x 481	751 x 448	R 12	654 x 304	6,6
750 x 600	x	x	797 x 631	751 x 598	R 12	654 x 454	8,2
800 x 350	x	x	846 x 380	800 x 347	R 12	704 x 204	6,6
800 x 450	x	x	846 x 481	800 x 448	R 12	704 x 304	7,1
900 x 400	x	x	948 x 430	902 x 397	R 12	804 x 254	7,5
900 x 450	x	x	948 x 481	902 x 448	R 12	804 x 304	8,0
900 x 500	x	x	948 x 531	902 x 498	R 12	804 x 354	8,4
900 x 550	x	x	948 x 581	902 x 548	R 12	804 x 404	8,6
900 x 600	x	x	948 x 631	902 x 598	R 12	804 x 454	9,2
1.000 x 450	x		1.048 x 481	1.002 x 448	R 12	904 x 304	8,6
1.000 x 500	x	x	1.048 x 531	1.002 x 498	R 12	904 x 354	9,3
1.000 x 550	x	x	1.048 x 581	1.002 x 548	R 12	904 x 404	10,0
1.000 x 600	x	x	1.048 x 631	1.002 x 598	R 12	904 x 454	11,0
1.000 x 800	x		1.048 x 832	1.002 x 799	R 12	904 x 654	12,0
1.100 x 450	x	x	1.148 x 481	1.102 x 448	R 12	1.004 x 304	9,9
1.100 x 550	x		1.148 x 581	1.102 x 548	R 12	1.004 x 404	10,1
1.100 x 700	x		1.148 x 733	1.102 x 700	R 12	1.004 x 554	11,9
1.200 x 300	x		1.248 x 330	1.202 x 297	R 12	1.104 x 154	8,2
1.200 x 350	x		1.249 x 380	1.203 x 347	R 12	1.104 x 204	8,8
1.200 x 500	x		1.249 x 531	1.203 x 498	R 12	1.104 x 354	10,5
1.200 x 600	x	x	1.249 x 631	1.203 x 598	R 12	1.104 x 454	12,5
1.200 x 700	x		1.249 x 733	1.203 x 700	R 12	1.104 x 554	12,9
1.200 x 800	x		1.249 x 832	1.203 x 799	R 12	1.104 x 654	13,8
1.300 x 550	x	x	1.343 x 581	1.297 x 548	R 12	1.204 x 404	13,6
1.300 x 600	x	x	1.343 x 631	1.297 x 598	R 12	1.204 x 454	14,2
1.450 x 550	x		1.500 x 581	1.454 x 548	R 12	1.354 x 404	13,6
1.450 x 600	x	x	1.500 x 631	1.454 x 598	R 12	1.354 x 454	14,9
1.450 x 700	x		1.500 x 733	1.454 x 700	R 12	1.354 x 554	15,7
1.600 x 550	x		1.650 x 581	1.604 x 548	R 12	1.504 x 404	15,6
1.600 x 600	x		1.650 x 631	1.604 x 598	R 12	1.504 x 454	16,2

All dimensions in mm. Subject to alteration.

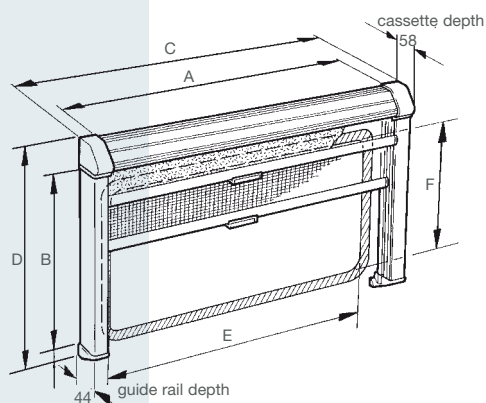




Seitz Combi cassette blind

Size A	Size B	Size C	Size D	Size E	Size F	Weight kg
630	700	656	795	580	650	1,95
680	700	706	795	630	650	2,05
730	700	756	795	680	650	2,12
780	700	806	795	730	650	2,21
830	700	856	795	780	650	2,29
930	700	956	795	880	650	2,46
1.030	700	1.056	795	980	650	2,63
1.130	700	1.156	795	1.080	650	2,81
1.230	700	1.256	795	1.180	650	2,98
1.330	800	1.356	895	1.280	750	3,53
1.430	800	1.456	895	1.380	750	3,72
1.530	800	1.556	895	1.480	750	3,91
1.630	800	1.656	895	1.580	750	4,09
1.730	800	1.756	895	1.680	750	4,29

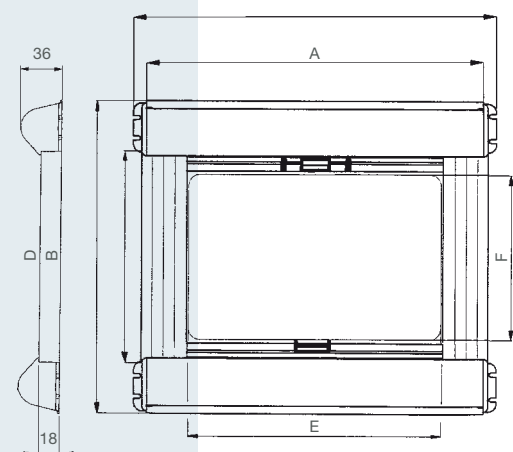
All dimensions in mm. Subject to alteration.



Seitz Rastrollo 2000

Size A	Size B	Size C	Size D	Size E	Size F	Weight kg
630	700	670	794	600	650	1,52
680	700	720	794	650	650	1,57
730	700	770	794	700	650	1,63
780	700	820	794	750	650	1,68
830	700	870	794	800	650	1,74
930	700	970	794	900	650	1,85
1.030	700	1.070	794	1.000	650	1,96
1.130	700	1.170	794	1.100	650	2,06
1.230	700	1.270	794	1.200	650	2,17
1.330	800	1.370	894	1.300	750	2,37
1.430	800	1.470	894	1.400	750	2,48
1.530	800	1.570	894	1.500	750	2,59
1.630	800	1.670	894	1.600	750	2,70
1.730	800	1.770	894	1.700	750	2,81

All dimensions in mm. Subject to alteration.



Seitz supermini double cassette blind 1302

Size A	Size B	Size C	Size D	Size E	Size F	Weight kg
630	700	658	790	580	650	1,30
680	700	708	790	630	650	1,35
730	700	758	790	680	650	1,41
780	700	808	790	730	650	1,47
830	700	858	790	780	650	1,53
930	700	958	790	880	650	1,65
1.030	700	1.058	790	980	650	1,77
1.130	700	1.158	790	1.080	650	1,89
1.230	700	1.258	790	1.180	650	2,00
1.330	750	1.358	840	1.280	700	2,15
1.430	750	1.458	840	1.380	700	2,27
1.480	750	1.508	840	1.430	700	2,33
1.530	750	1.558	840	1.480	700	2,39

All dimensions in mm. Subject to alteration.

Seitz roof blind 1302

Size A	Size B	Size C	Size D	Size E	Size F	Weight kg
480	500	508	590	430	450	0,96
540	500	568	590	490	450	1,09
580	600	608	690	530	550	1,19

All dimensions in mm. Subject to alteration.

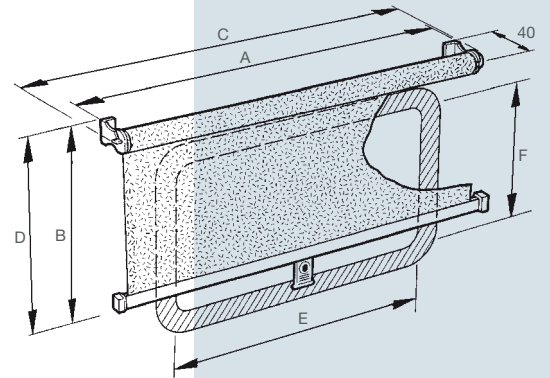
Size A = order size width (length cassette), size B = order size height (length guide rail), size C = over all width, size D = over all height, size E = width window cut-out, size F = height window cut-out

Seitz roller blind

Size A	Size B	Size C	Size D	Size E	Size F	Weight kg
770	700	785	685	700	650	0.45
920	700	935	685	850	650	0.51
970	700	985	685	900	650	0.53
1.120	700	1.135	685	1.050	650	0.58
1.270	800	1.285	785	1.200	750	0.65
1.320	800	1.335	785	1.250	750	0.79
1.370	800	1.385	785	1.300	750	0.81
1.520	800	1.535	785	1.450	750	0.88
1.620	800	1.635	785	1.550	750	0.93
1.720	800	1.735	785	1.650	750	0.98
1.820	800	1.835	785	1.750	750	1.03
1.920	800	1.935	785	1.850	750	1.08

All dimensions in mm. Subject to alteration.

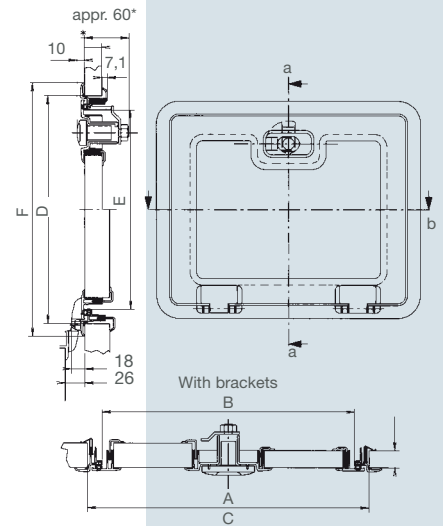
Size A = order size width. size B = order size height. size C = over all width.
size D = over all height. size E = width window cut-out. size F = height window cut-out



Seitz SK 4 ASA Locker doors

Order size	Width (hinge side)			Height			Wall thickness	Weight kg*
	Size A	Size B	Size C	Size D	Size E	Size F		
375 x 305	375	335	409	305	265	338	23 bis 32	0.99
700 x 305	700	660	734	305	265	338	23 bis 32	1.45
700 x 405	700	660	734	405	365	438	23 bis 42	1.65
1.000 x 305	1.000	960	1.034	305	265	338	23 bis 42	2.00
1.000 x 405	1.000	960	1.034	405	365	438	23 bis 42	2.20

All dimensions in mm. * Weight without door filling. Subject to alteration.

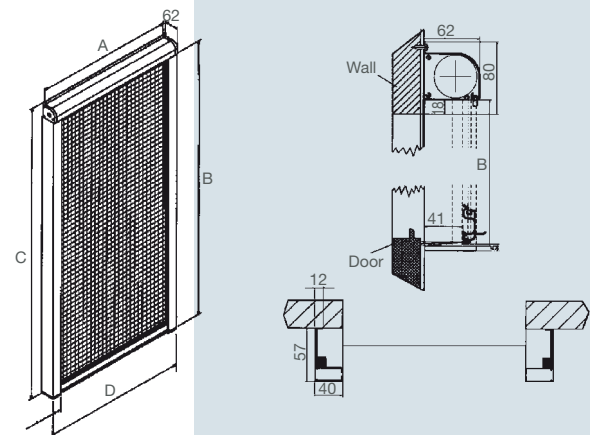


Fly net for 1/2 if Input doors

Order size	size A	size B	size C	size D	Weight (kg)
580 x 1100	580	1100	1165	592	2,8
615 x 1100	615	1100	1165	627	2,8

All dimensions in mm. Subject to alteration.

Dim. A = Ordering size width, Dim. B = Ordering size height
Dim. C = Dimension over all height, Dim. D = Dimension over all width





Cooling



Climate and Power



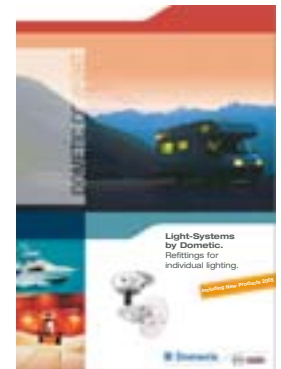
Windows, Blinds and Safes



Portable cooling



Sanitation systems



Light systems

www.dometic.com

Dometic Premium Comfort – The choice is yours

We know what every caravan enthusiast is looking for: Premium comfort on the move. That's why it makes perfect sense to turn to Dometic, the experienced system supplier, for everything you need in your caravan or motorhome. To ensure unforgettable, relaxed holidays, we have a huge range of kitchen appliances, airconditioners, generators, windows and blinds, portable fridges, sanitation systems, and even light concepts.

Your dealer will be glad to advise you.

Seitz GmbH & Co. KG

Altkrautheimer Str. 28
D-74238 Krautheim/Jagst
Tel.: +49 6294/907-0
Fax: +49 6294/907-40
seitz-info@dometic.de

 **Dometic**

