



Customer Name : _____

Customer Number : _____

Date : _____ Completed By: _____

Quantity: _____

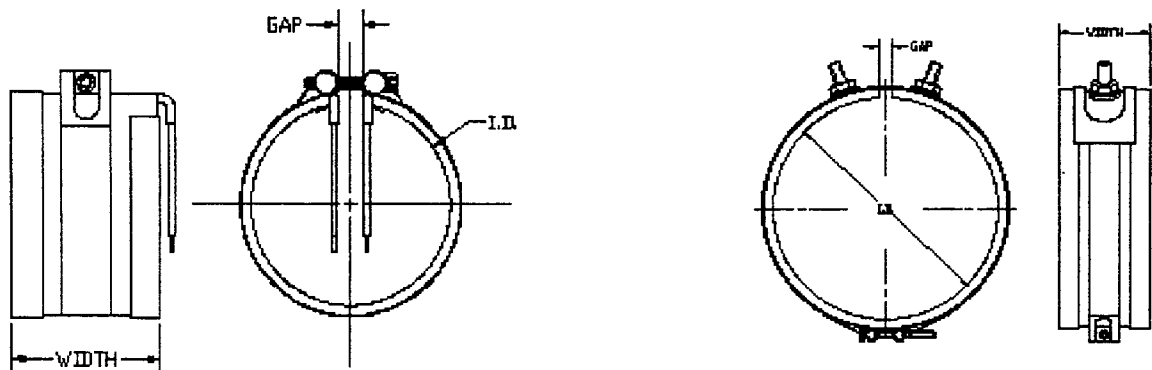
Mica Band Heater Product Data Sheet

Approval drawing required

Part Number: _____ A/E: _____

Part Number Format: FBE01AA01A-XXXXXX

<p>Heater Specification: (Please check all applicable)</p> <p>1. Style: Full <input type="checkbox"/> Partial <input type="checkbox"/> Half (Fig.14) <input type="checkbox"/> Hinged-Half (Fig.12) <input type="checkbox"/> Splitcase (Fig.17) <input type="checkbox"/></p> <p>2. Inside Diameter: _____</p> <p>3. Width: _____</p> <p>4. Rating Watts: _____ Volts: _____ Phase: _____ Watts: _____ Volts: _____ each half</p> <p>5. Mounting: Straps: Fig.9 Std <input type="checkbox"/> Fig.9 Low Profile <input type="checkbox"/> Flange: Fig.8 <input type="checkbox"/> Barrel Nut: Fig.18 <input type="checkbox"/> Fig.19 <input type="checkbox"/> Fig.20 <input type="checkbox"/> Quick Release: Fig.21 <input type="checkbox"/> Wedge Mount (Fig.11) <input type="checkbox"/> Other: _____</p> <p>6. Lead Termination: Fig.1 <input type="checkbox"/> Fig.5 <input type="checkbox"/> Fig.3 <input type="checkbox"/> Fig.16 <input type="checkbox"/> Fig.6 <input type="checkbox"/> Fig.4 <input type="checkbox"/> Fig.7 <input type="checkbox"/> Screw Terminals: T1 <input type="checkbox"/> T2 <input type="checkbox"/> T3 <input type="checkbox"/> B1 <input type="checkbox"/> European Plugs: Fig. 110 <input type="checkbox"/> Fig. 115 <input type="checkbox"/> Other: _____</p>	<p>7. Lead Length (In): _____ Lead Protection Length(In): _____</p> <p>8. Agency Approvals: None <input type="checkbox"/> CE <input type="checkbox"/> C.S.A. <input type="checkbox"/> U.L. Component Recognized <input type="checkbox"/> Other: _____</p> <p>9. Special Features: Holes/Cutouts (Specify size, location) _____ _____ _____</p>
<p>Operating Conditions:</p> <p>A. Application (Describe in detail): _____ _____ _____</p> <p>Heated Medium: Gas <input type="checkbox"/> Solid <input type="checkbox"/> Liquid <input type="checkbox"/></p> <p>B. Application Temperature: _____ °F</p> <p>C. Ambient Temperature: _____ °F</p> <p>D. Installation Environment: Indoor <input type="checkbox"/> Outdoor <input type="checkbox"/></p>	



Please use the current Ogden catalog when completing this product data form.