

**Streamlined**

**Breeding Tanks**

**Fattening Tanks**

**Circular-Flow**



**Breeding Tanks**

**Rectangular Tanks**

**Cylindrical Tanks**



**Conical Tanks**



**Sectional Tanks**

**Keeping Tanks**



**Aquariums**

**Buckets, Tubs**

**BASINS - BREEDING - REARING - FATTENING**



## Streamlined Breeding Tanks

For breeding and storage



Stainless steel struts prevent bulging when filled with water.

### Streamlined Breeding Tank

**Order No. 7010** (see above picture) includes tilting outlet pipe

Altered construction with removable grate across the whole width of the bottom. The base of the tank drops slightly towards the gutter. Thus the tank is partially self cleaning. Drain pipe made of PVC,  $\varnothing$  160 mm on the outside. Water level is adjustable through the tilting function of the waste pipe. Grate: standard perforation with  $\varnothing$  1.75 mm hole diameter. Alternative diameters are available. The tanks have a overflow opening on the top front rim which is protected with wire mesh.

**Outside dimensions:**

Length	425 cm
Width	111 cm
Height	85 cm
Colour	grey/green

**Accessories -  
sold separately**

Telescopic outlet pipe      Order No.7011 T

### Elongated Breeding Tank (no picture, see technical specifications above)

**Order No. 7011** including tilting waste pipe

The tank is available as follows:

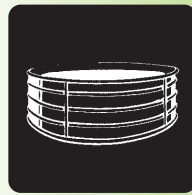
With removable bottom grate (97 x 30 cm) made of aluminium with  $\varnothing$  1.75 mm perforation. Alternative hole diameters are available. Outlet pipe made of PVC,  $\varnothing$  110 mm on the outside. Water level is adjustable through the tilting function of the waste pipe. The tanks have a overflow opening on the top front rim which is protected with wire mesh.

**Outside dimensions:**

Length	368 cm
Width	78 cm
Height	73 cm
Colour	grey/green

**Accessories -  
sold separately**

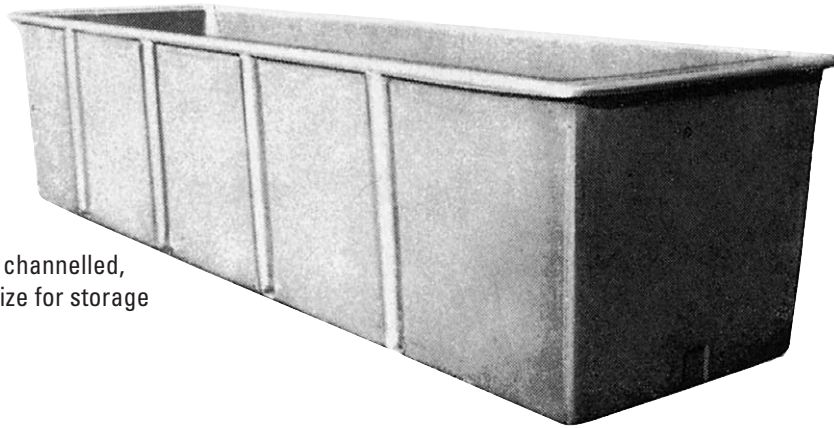
Telescopic outlet pipe      Order No.7011 T



## Large Breeding or Storage tanks

Particularly strong design, water level adjustable through the tilting function of the waste pipe connected to the excrement channel. Base panel with perforation of  $\varnothing$  1.75 mm or  $\varnothing$  5 mm as required.

Order No.	litres	size (on the outside) L x W x H cm
009012	13,000	829 x 162 x 136
009013	7,000	493 x 140 x 137
009014	3,000	463 x 91 x 108
009015	1,900	360 x 80 x 76
009016	1,800	314 x 112 x 78
009017	1,600	323 x 90 x 93
009018	1,000	217 x 90 x 93



These tanks are also available with channelled, removable grilles to compartmentalize for storage or grading.

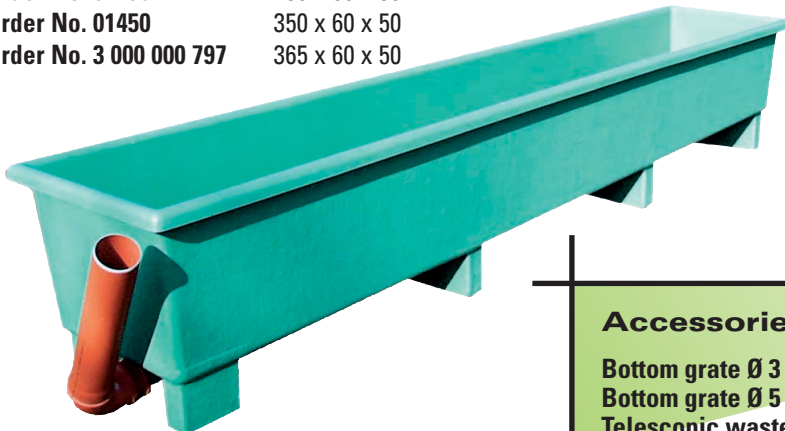
### Accessories

Order No.	description	litres	Order No.	description	litres
009019	bottom grate for large tanks	13.000	009025	compartment grille for lg. tanks	13.000
009020	bottom grate for large tanks	7.000	009026	compartment grille for lg. tanks	7.000
009021	bottom grate for large tanks	3.000	009027	compartment grille for lg. tanks	3.000
009022	bottom grate for large tanks	1.900	009028	compartment grille for lg. tanks	1.900
009023	bottom grate for large tanks	1.800	009029	compartment grille for lg. tanks	1.800
009024	bottom grate for large tanks	1.000			
Order No.	description	litres			
009030	seam for large tanks	13.000			
009031	seam for large tanks	7.000			
009032	seam for large tanks	3.000			
009033	seam for large tanks	1.900			
009034	seam for large tanks	1.800			

## Fattening Tanks

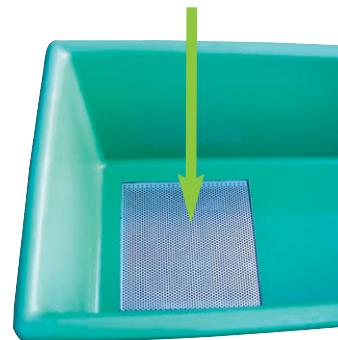
With excrement channel and tilting pipe for control of the water level. Bottom grate with  $\varnothing$  1,75 mm perforation

Order No.	L x W x H cm
01430	250 x 50 x 30
01450	350 x 60 x 50
3 000 000 797	365 x 60 x 50



Outlet pipe  $\varnothing$  110 mm on the outside

Drain grate



### Accessories

Bottom grate $\varnothing$ 3 mm, 40 x 40 mm	Order No. 01504
Bottom grate $\varnothing$ 5 mm, 40 x 40 mm	Order No. 3 000 000 835
Telescopic waste pipe 800 mm	Order No. 3 000 000 138

BASINS - BREEDING - REARING - FATTENING



## Circular-Flow Tanks

These square tanks with rounded corners are easily cleaned, cheaply maintained and on top, they save water.



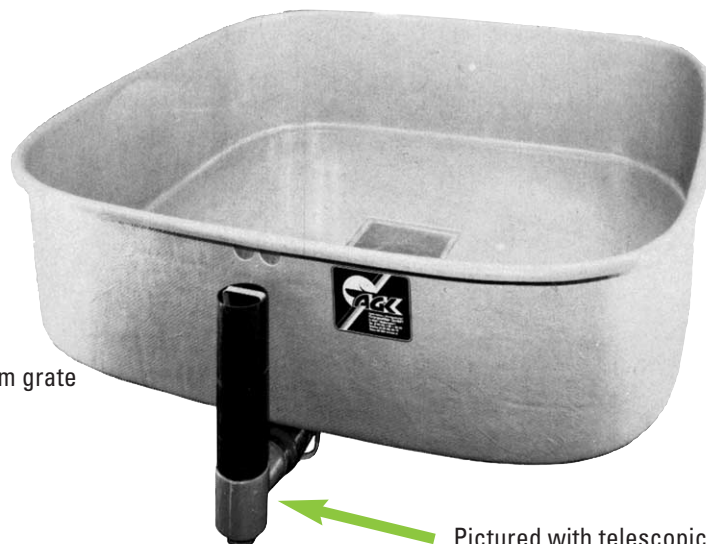
Pictured with tilting outlet pipe

Designed for long durability and practicability with a smooth, clean inside surface. A tough PVC drainage pipe allows to connect a tilting or telescopic waste pipe. The bottom grate is available with a perforation of  $\varnothing 1.75 \text{ mm} + 10 \text{ mm}$  hole diameter. It can be removed and changed without undoing any screws. For the case of the bottom grate being blocked by feed scraps or the like there is a special overflow filter to prevent any spillage over the rims.

Waste pipe and bottom grate are not included.

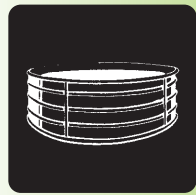
Tanks Order No.	Tank with base Order No.	Size in mm	Corresponding tilting outlet pipe	Corresponding telescopic outlet pipe	Outlet pipe size		Bottom grate
					$\varnothing$ mm	H mm	
03025	3 000 000 169	1000x1000x250 Grau	3 000 000 126	3 000 000 134	110	250	* II
03010	3 000 000 168	1000x1000x450 Grau	3 000 000 125	3 000 000 133	110	450	* I/IV
03045	3 000 000 170	1450x1450x450 Grau	3 000 000 125	3 000 000 133	110	450	* I/IV
03455	3 000 000 171	1600x1600x550 Grün/Grau	3 000 000 127	3 000 000 135	110	550	* I/IV
03055	3 000 000 172	2000x2000x550 Grau	3 000 000 127	3 000 000 135	110	550	* II
03265	3 000 000 173	2000x2000x650 Grau	3 000 000 128	3 000 000 136	110	650	* II
03370	3 000 000 174	2000x2000x700 Grün/Grau	3 000 000 129	3 000 000 137	110	700	* I/II/IV
02027	3 000 000 175	2000x2000x800 Grau	3 000 000 130	3 000 000 138	110	800	* I/IV
03190	3 000 000 176	2000x2000x900 Grün/Grau	3 000 000 131	3 000 000 139	110	900	* II
03260	3 000 000 177	3000x3000x600 Grün/Grau	3 000 000 132	3 000 000 140	110	600	* I

\* see accessories

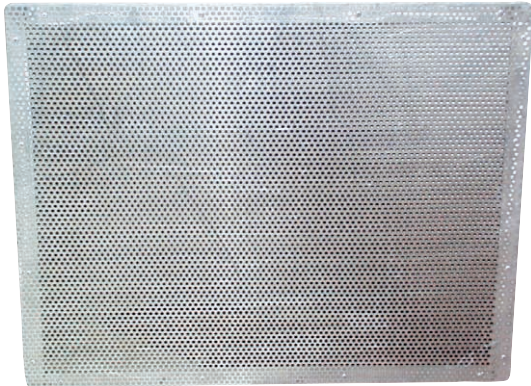


Waste pipe and bottom grate are not included

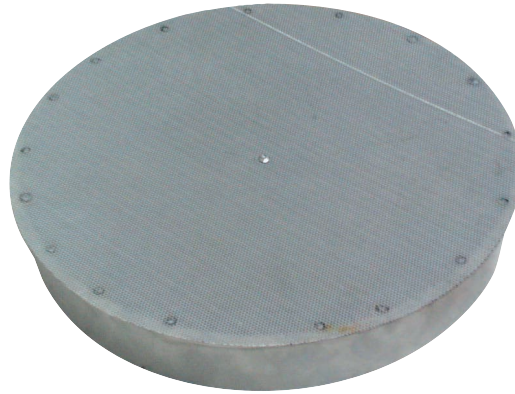
Pictured with telescopic waste pipe



We construct any size according to your wishes and needs.



Rectangular bottom grate



Circular bottom grate

All frames are made of stainless steel.

Tilting waste pipe with chain (not pictured)  
+ 3 safety fittings  
Available:  
Ø 110 mm on the outside  
Ø 160 mm on the outside  
Any length available



Telescopic outlet  
Available:  
Ø 110 mm on the outside  
Ø 160 mm on the outside  
Any length available.

Outlet bottom edge



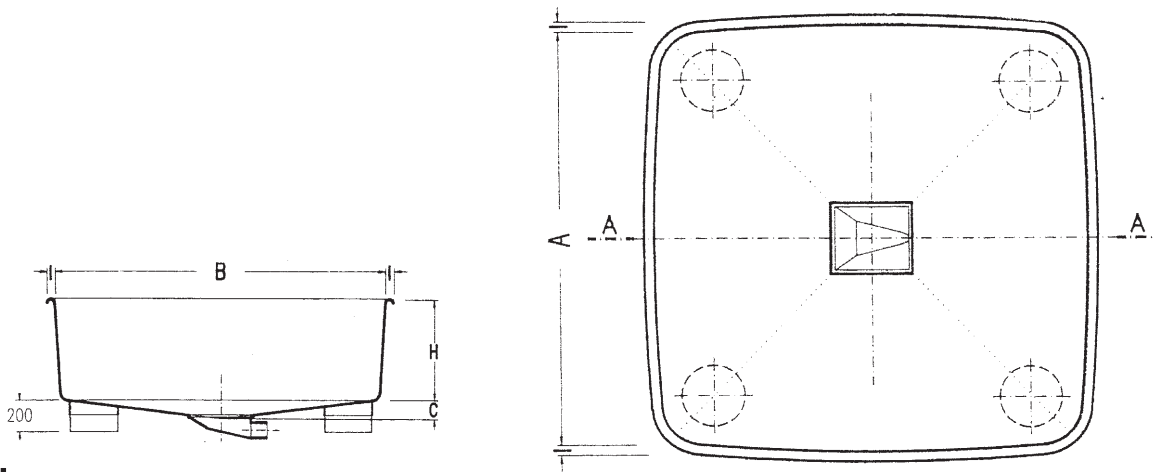
Cylindrical sieve

## Accessories

Perforation Ø mm	1,75	3,0	5,0	8,0	10,0
<b>I</b> Circular grate Ø 300 mm	3 000 000 141	3 000 000 142	3 000 000 143	3 000 000 144	3 000 000 145
<b>II</b> Rectangular grate 450x450 mm	3 000 000 146	3 000 000 147	3 000 000 148	3 000 000 149	3 000 000 150
<b>III</b> Cylindrical sieve Ø160xH500 mm	3 000 000 151	3 000 000 152	3 000 000 153	3 000 000 154	3 000 000 155
<b>IV</b> Cylindrical sieve Ø300xH700 mm	3 000 000 156	3 000 000 157	3 000 000 158	3 000 000 159	3 000 000 160

BASINS - BREEDING - REARING - FATTENING

## Square tanks



### Accessories

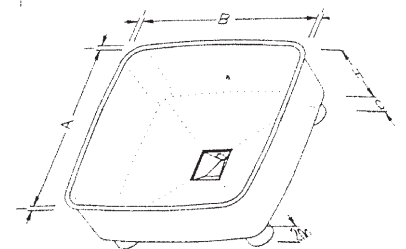
(Not included with the tanks)

Bottom grate 400 x 350 mm

Telescopic waste pipe

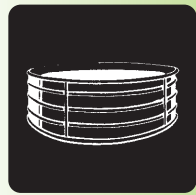
Tilting waste pipe

} Please consult the accessories list at the end of the chapter



Tank with feet	Tank without feet	Volume	Size in mm					Drain Ø 125
Order No.	Order No.	Litres	A	B	H	C	I	Lenght
3 000 000 192	3 000 000 187	600	1000	1000	600	0	50	662
3 000 000 193	3 000 000 188	900	1000	1000	900	0	50	962
3 000 000 194	3 000 000 189	1600	1500	1500	630	120	40	812
3 000 000 195	3 000 000 190	2600	2000	2000	630	120	40	812
3 000 000 196	3 000 000 191	3200	2000	2000	800	120	40	982





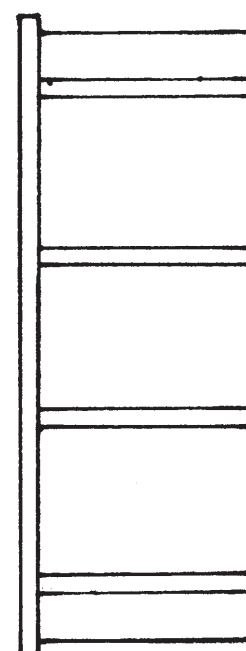
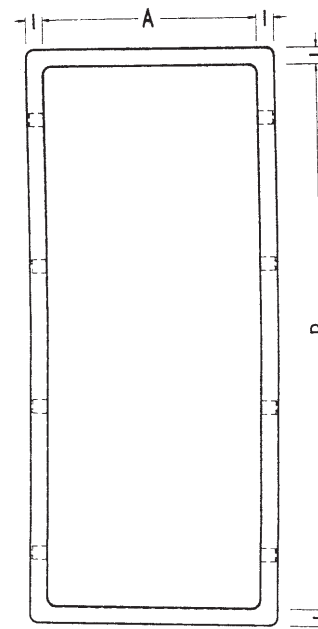
## Rectangular Tanks

For storage and breeding



These tanks are very tough and can be put up anywhere. The drain can be freely designed i.e. place, type...

Tank without reinforced struts Order No.	Tank with reinforced struts Order No.	Volume Litres	Dimensions mm			
			A	B	H	I
3 000 000 197	3 000 000 214	250	500	1000	500	50
3 000 000 198	3 000 000 215	520	530	2000	490	50
3 000 000 199	3 000 000 216	300	600	1000	500	60
3 000 000 200	3 000 000 217	600	600	1000	1000	60
3 000 000 201	3 000 000 218	630	600	2100	500	55
3 000 000 202	3 000 000 219	1090	700	2600	600	80
3 000 000 203	3 000 000 220	632	800	1130	700	80
3 000 000 204	3 000 000 221	1120	800	2000	700	80
3 000 000 205	3 000 000 222	1440	900	2000	800	100
3 000 000 206	3 000 000 223	1870	900	2600	800	100
3 000 000 207	3 000 000 224	2160	900	3000	800	100
3 000 000 208	3 000 000 225	2590	900	3600	800	100
3 000 000 209	3 000 000 226	1800	1000	3000	600	100
3 000 000 210	3 000 000 227	1800	1000	2000	900	100
3 000 000 211	3 000 000 228	2900	1000	3200	900	100
3 000 000 212	3 000 000 229	2480	1240	2000	1000	100
3 000 000 213	3 000 000 230	4010	1240	3240	1000	100
	3 000 000 231	7140	1240	5760	1000	100
	3 000 000 232	8680	1240	7000	1000	100
	3 000 000 233	2970	1240	2000	1200	100
	3 000 000 234	4820	1240	3240	1200	100
	3 000 000 235	8570	1240	5760	1200	100
	3 000 000 236	10410	1240	7000	1200	100
	3 000 000 237	3600	1500	2400	1000	90
	3 000 000 238	4320	1500	2400	1200	90
	3 000 000 239	6000	2040	3320	900	130
	3 000 000 240	7850	2040	4280	900	130
	3 000 000 241	10180	2040	5550	900	130
	3 000 000 242	12050	2040	6560	900	130
	3 000 000 243	8650	2040	3320	1280	130
	3 000 000 244	11150	2040	4280	1280	130
	3 000 000 245	14500	2040	5550	1280	130
	3 000 000 246	17100	2040	6560	1280	130

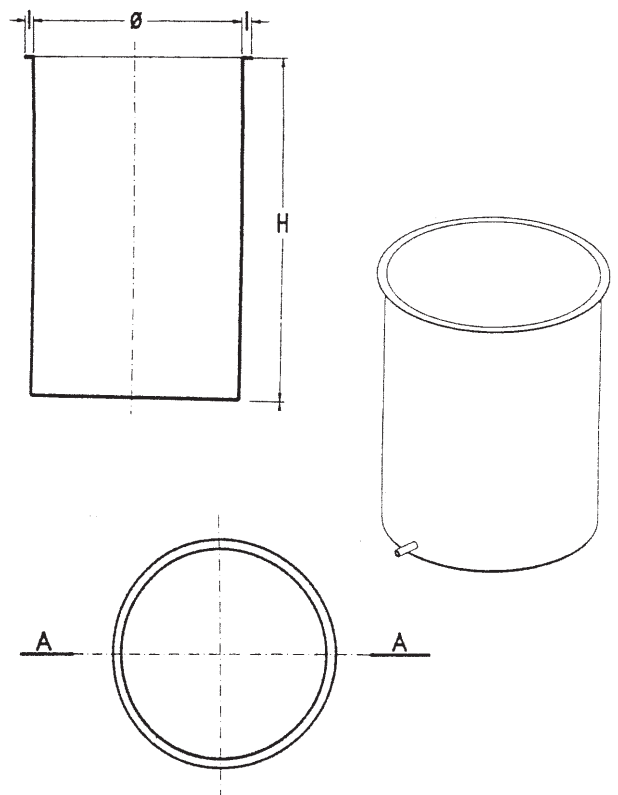


**BASINS - BREEDING - REARING - FATTENING**

## Cylindrical Tanks with Flat Bottom



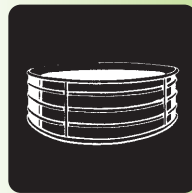
Order No.	Volume litres	Dimensions mm		
		Ø	H	I
3 000 000 247	55	350	600	20
3 000 000 248	158	450	1000	40
3 000 000 249	200	520	975	25
3 000 000 250	200	600	720	45
3 000 000 251	300	600	1100	45
3 000 000 252	420	600	1500	45
3 000 000 253	420	800	850	45
3 000 000 254	520	800	1050	45
3 000 000 255	620	800	1250	45
3 000 000 256	720	800	1450	45
3 000 000 257	730	900	1150	40
3 000 000 258	830	900	1310	40
3 000 000 259	835	1000	1070	45
3 000 000 260	1035	1000	1320	45
3 000 000 261	1235	1000	1580	45
3 000 000 262	1560	1200	1380	50
3 000 000 263	1860	1200	1650	50
3 000 000 264	2060	1200	1820	50
3 000 000 265	2500	1500	1420	100
3 000 000 266	3000	1500	1694	100
3 000 000 267	3500	1500	1980	100



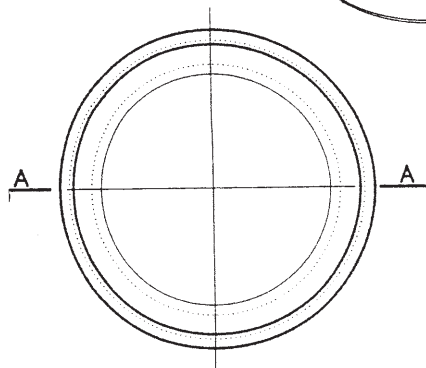
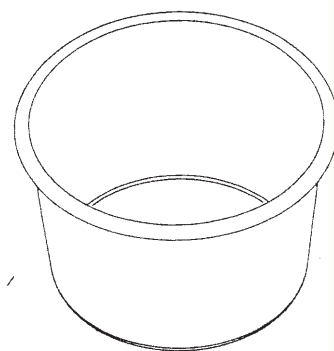
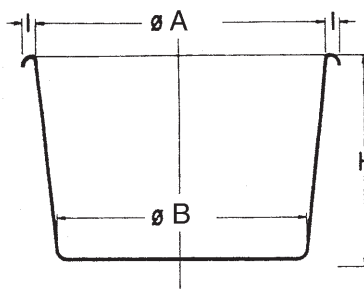
**BASINS - BREEDING - REARING - FATTENING**







## Conical Tanks with Flat Bottom



Order No.	Volume litres	Dimensions mm			
		ø A	ø B	H	I
3 000 000 268	400	950	820	680	70
3 000 000 269	600	1070	920	760	70
3 000 000 270	800	1180	1010	840	70
3 000 000 271	1000	1290	1100	920	70
3 000 000 272	1350	1390	1180	1000	70
3 000 000 273	1500	1460	1250	1030	70
3 000 000 274	1700	1500	1340	1100	70
3 000 000 275	2100	1620	1520	1100	70
3 000 000 276	1650	1950	1920	560	70
3 000 000 277	3300	2000	1920	1100	70
3 000 000 278	2000	1970	1920	700	70

**BASINS - BREEDING - REARING - FATTENING**

## Cylindrical Tanks with Conical Base and Legs

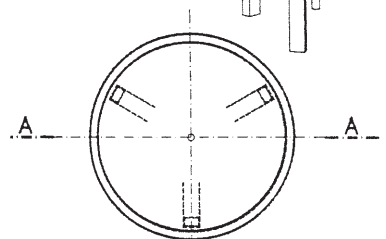
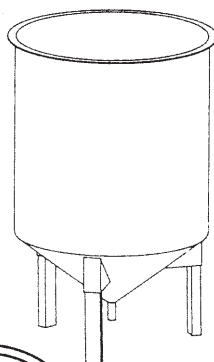
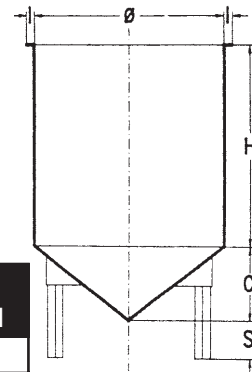


### Accessories

(Not included with the tanks)

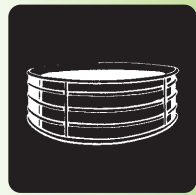
- Bottom grate  $\varnothing = \varnothing$  of tank
- Telescopic waste pipe  $\varnothing$  50 mm
- Tilting waste pipe  $\varnothing$  50 mm

} Please consult the accessories list at the end of the chapter



Order No.	Volume litres	Dimensions mm					Drain $\varnothing$ 50/H
		$\varnothing$	H	C	S	I	
3 000 000 279	100	450	500	400	200	40	925
3 000 000 280	225	600	720	400	200	45	1175
3 000 000 281	325	600	1100	400	200	45	1525
3 000 000 282	460	800	850	400	200	45	1275
3 000 000 283	560	800	1050	400	200	45	1475
3 000 000 284	660	800	1250	400	200	45	1675
3 000 000 285	760	800	1450	400	200	45	1875
3 000 000 286	925	1000	1070	400	200	45	1495
3 000 000 287	1125	1000	1320	400	200	45	1745
3 000 000 288	1325	1000	1580	400	200	45	2005
3 000 000 289	1700	1200	1380	400	200	50	1805
3 000 000 290	2000	1200	1650	400	200	50	2075
3 000 000 291	2200	1200	1820	400	200	50	2245
3 000 000 292	2730	1500	1420	400	200	100	1845
3 000 000 293	3730	1500	1980	400	200	100	2405





## Conical Tanks with Conical Bottom and supports

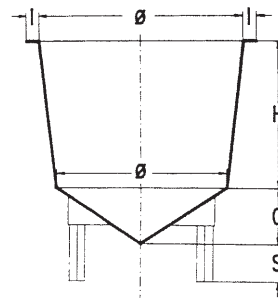


### Accessories

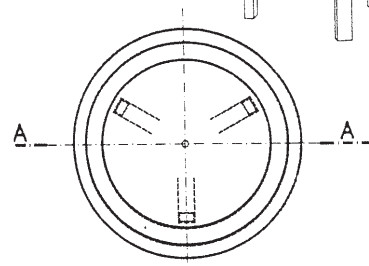
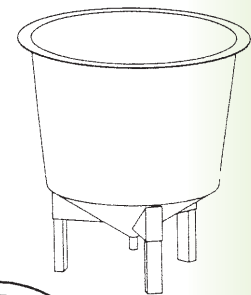
(Not included with the tanks)

- Bottom grate  $\varnothing$  = bottom  $\varnothing$  of tank
- Telescopic waste pipe  $\varnothing$  50 mm
- Tilting waste pipe  $\varnothing$  50 mm

Please consult the accessories list at the end of the chapter



Order No.	Volume litres	Dimensions mm						Drain $\varnothing$ 50 / H
		$\varnothing$ Top	$\varnothing$ Bottom	H	C	S	I	
3 000 000 294	460	950	820	680	400	200	70	1105
3 000 000 295	660	1070	890	800	300	200	70	1125
3 000 000 296	875	1170	980	840	300	200	70	1165
3 000 000 297	1080	1290	1050	910	300	200	70	1235
3 000 000 298	1450	1390	1180	1000	300	200	70	1325
3 000 000 299	1650	1560	1300	1035	350	200	70	1410
3 000 000 300	1850	1500	1340	1100	300	200	70	1425
3 000 000 301	2140	1620	1520	1100	40	200	70	1525
3 000 000 302	1830	1950	1920	560	200	340	70	785
3 000 000 303	2000	1950	1920	560	400	340	70	985
3 000 000 304	3350	2000	1920	1100	40	20	70	1525
3 000 000 305	3480	2000	1920	1100	200	200	70	1325
3 000 000 306	3650	2000	1920	1100	400	200	70	1525

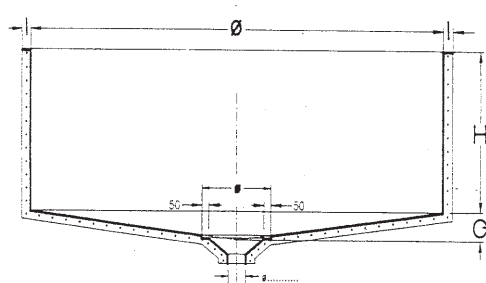
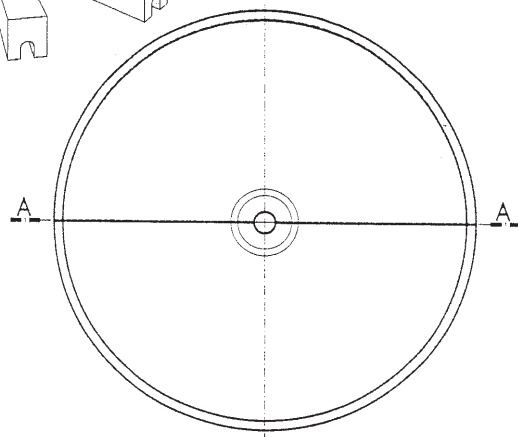
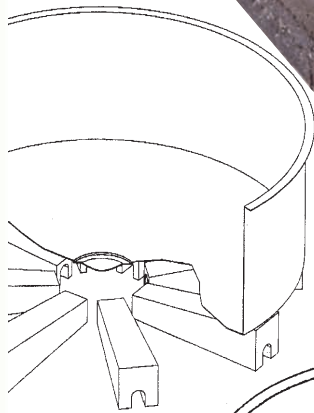


**BASINS - BREEDING - REARING - FATTENING**





## Tanks, Sectional Construction, with Circular, Conical Bottom



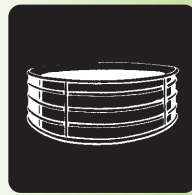
### Accessories

(Not included with the tanks)

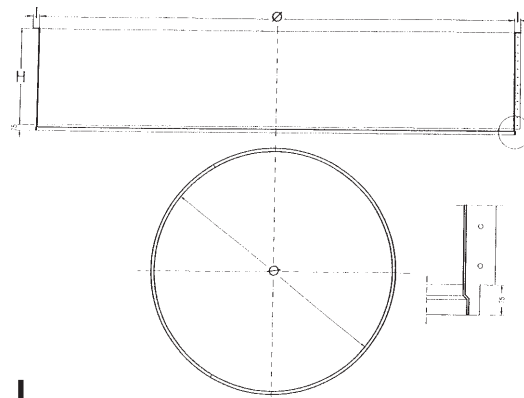
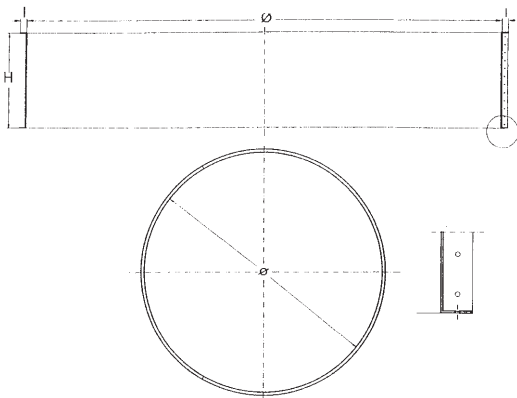
- Drainage grate
- Telescopic waste pipe
- Tilting waste pipe

Please consult the accessories list at the end of the chapter

Tank with bottom Order No.	section Volume litres	Dimensions mm Ø	H	C	I	Number of segments	Tank with reinforced base Order No.	Tank with reinforced base a. legs Order No.	Drain grate Ø mm	Drain Ø/Height mm
3 000 000 307	6350	3000	900	/	80	2	—	—	500	125/962
3 000 000 308	8480	3000	1200	/	80	2	—	—	500	125/1262
3 000 000 309	6775	3000	900	210	80	2	3 000 000 314	3 000 000 319	500	125/1005
3 000 000 310	8930	3000	1200	210	80	2	3 000 000 315	3 000 000 320	500	125/1305
3 000 000 311	12050	3500	1200	165	70	2	3 000 000 316	3 000 000 321	500	125/1282
3 000 000 312	15900	3500	1600	165	70	2	3 000 000 317	3 000 000 322	500	125/1682
3 000 000 313	25000	5000	1200	215	100	2	—	—	600	160/1477
3 000 000 347		2650	1000	300	50	1	3 000 000 318	3 000 000 323	600	160/1000



## Tanks, Sectional Construction, with Circular, Flat Bottom



### Accessories

(Not included with the tanks)

- Drainage grate
- Telescopic waste pipe
- Tilting waste pipe

Please consult the accessories list at the end of the chapter

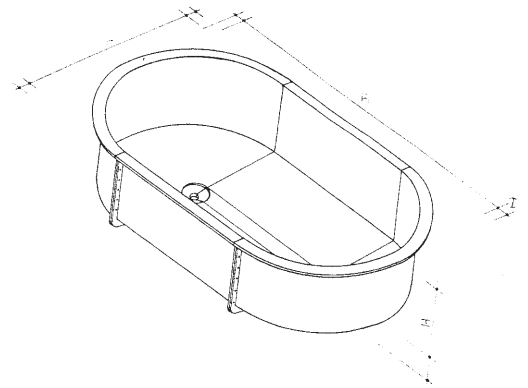
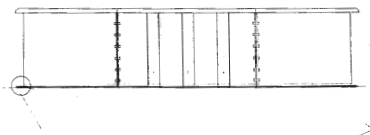
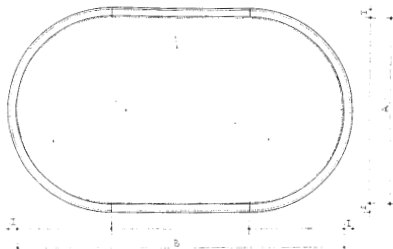
Order No.	Volume litres	Dimensions mm				Number of segments	Corresponding base section Order No.
		Ø	H	C	I		
3 000 000 324	33900	6000	1200	0	80	3	3 000 000 328
3 000 000 325	42300	6000	1500	0	80	3	3 000 000 329
3 000 000 326	60200	8000	1200	0	80	4	3 000 000 330
3 000 000 327	75300	8000	1500	0	80	4	3 000 000 331

**BASINS - BREEDING - REARING - FATTENING**





## Oval Tank, Sectional Construction



### Accessories

(Not included with the tanks)

- Drainage grate
- Telescopic waste pipe
- Tilting waste pipe

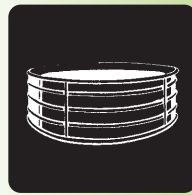
Please consult the accessories list at the end of the chapter

Order No.	Volume Litres	Dimensions mm					Number of segments	Drainage gate Ø mm	Drainage Ø / Height mm
		A	B	H	C	I			
3 000 000 332	15680	3000	5000	1200	/	80	4	500	125/1262
3 000 000 333	22880	3000	700	1200	/	80	6	500	125/1262
3 000 000 334	30080	3000	9000	1200	/	80	8	500	125/1262
3 000 000 335	20400	3500	5500	1200	165	70	4	500	125/1427
3 000 000 336	28200	3500	7500	1200	165	70	6	500	125/1427
3 000 000 337	36000	3500	9500	1200	165	70	8	500	125/1427
3 000 000 338	35000	5000	7000	1200	215	100	4	600	160/1495
3 000 000 339	45000	5000	9000	1200	215	100	6	600	160/1495
3 000 000 340	55000	5000	11000	1200	215	100	8	600	160/1495
3 000 000 341	65000	5000	13000	1200	215	100	10	600	160/1495
3 000 000 342	75000	5000	15000	1200	215	100	12	600	160/1495

**BASINS - BREEDING - REARING - FATTENING**







## Drainage Grates

Size mm	Perforation Ø mm				
	1,75	3	5	8	10
400 x 350	300000343	300000361	300000379	300000397	300000415
450	300000344	300000362	300000380	300000398	300000416
500	300000345	300000363	300000381	300000399	300000417
600	300000346	300000364	300000382	300000400	300000418
600	300000347	300000365	300000383	300000401	300000419
800	300000348	300000366	300000384	300000402	300000420
820	300000349	300000367	300000385	300000403	300000421
890	300000350	300000368	300000386	300000404	300000422
980	300000351	300000369	300000387	300000405	300000423
1000	300000352	300000370	300000388	300000406	300000424
1050	300000353	300000371	300000389	300000407	300000425
1180	300000354	300000372	300000390	300000408	300000426
1200	300000355	300000373	300000391	300000409	300000427
1300	300000356	300000374	300000392	300000410	300000428
1340	300000357	300000375	300000393	300000411	300000429
1500	300000358	300000376	300000394	300000412	300000430
1520	300000359	300000377	300000395	300000413	300000431
1920	300000360	300000378	300000396	300000414	300000432

## Tilting Outlet Pipes

Height mm	Diameter 50 mm	Height mm	Diameter 125 mm
785	300000433	662,5	300000461
925	300000434	812,5	300000462
985	300000435	962,5	300000463
1105	300000436	982,5	300000464
1125	300000437	1005	300000465
1165	300000438	1262,5	300000466
1175	300000439	1282,5	300000467
1235	300000440	1305	300000468
1275	300000441	1427,5	300000469
1325	300000442	1682,5	300000470
1325	300000443		
1410	300000444		
1425	300000445		
1475	300000446		
1495	300000447		
1525	300000448		
1525	300000449		
1525	300000450		
1525	300000451		
1675	300000452		
1745	300000453		
1805	300000454		
1845	300000455		
1875	300000456		
2005	300000457		
2075	300000458		
2245	300000459		
2405	300000460		

Height mm	Diameter 150 mm	Height mm	Diameter 160 mm
1000	300000471	1477,5	300000472
1495	300000473		

## Telescopic Outlet Pipes

Height mm	Diameter 50 mm	Height mm	Diameter 125 mm
785	300000474	662,5	300000502
925	300000475	812,5	300000503
985	300000476	962,5	300000504
1105	300000477	982,5	300000505
1125	300000478	1005	300000506
1165	300000479	1262,5	300000507
1175	300000480	1282,5	300000508
1235	300000481	1305	300000509
1275	300000482	1427,5	300000510
1325	300000483	1682,5	300000511
1325	300000484		
1410	300000485		
1425	300000486		
1475	300000487		
1495	300000488		
1525	300000489		
1525	300000490		
1525	300000491		
1525	300000492		
1675	300000493		
1745	300000494		
1805	300000495		
1845	300000496		
1875	300000497		
2005	300000498		
2075	300000499		
2245	300000500		
2405	300000501		

Height mm	Diameter 150 mm	Height mm	Diameter 160 mm
1000	300000512	1477	300000513
		1495	300000514

**BASINS - BREEDING - REARING - FATTENING**

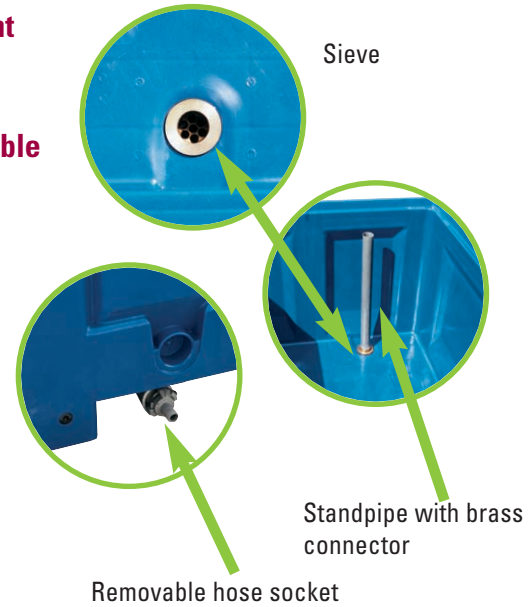
## Storage tank

Order No. 4 110 000 179 without drain or standpipe

Size L x W x H 1200 x 1000 x 760 mm



- Lightweight
- Shock resistant
- Indestructible



## Fish Storage Tank

For restaurants and shops made of low pressure PE

### Standpipe with brass connector and drain, set

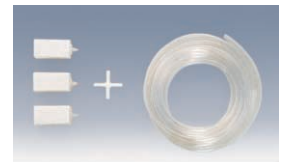
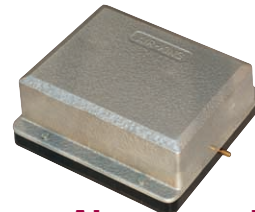
Order No. 21020 as above



- Lightweight
- Shock resistant
- Indestructible

### Standpipe with brass connector and drain, set

Order No. 21020



### Air pump – diaphragm type

Order No. 1061

8 W, 220V, 600l/h  
3 special diffuser rocks, 1 cross connector, 4 m air hose are included.



### Diaphragm pump Type LP-40

Order No. 4 472 000 009

50 Hz, 220 V, 50l/min, 40 W, 0.4 bar

### Wire Mesh Landing Net

Net made of stainless steel

Order No. 18015/05

Mesh size 5 mm

Order No. 18015/10

Mesh size 10 mm



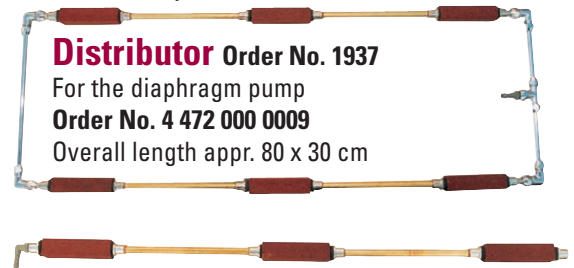
Opening: 250 x 250 mm  
Depth 280 mm, Rod length approx. 500 mm

### Distributor Order No. 1937

For the diaphragm pump

Order No. 4 472 000 0009

Overall length approx. 80 x 30 cm



### Diffuser Order No. 1934

For diaphragm pump

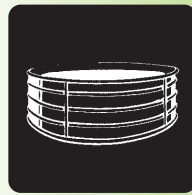
Order No. 4 472 000 009

Overall length approx. 80 cm

Compatible plastic

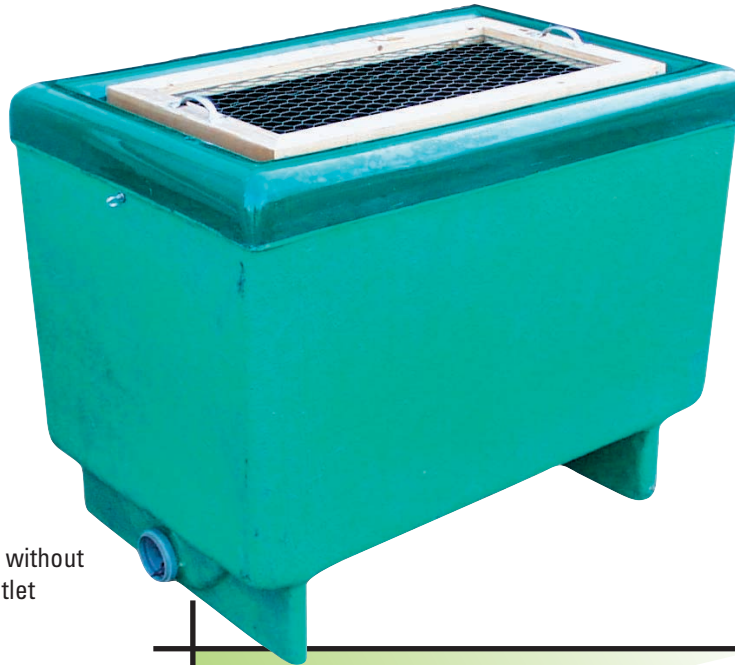
hose Order No. 30510

Order No.	Volume Litres	Length mm	Width mm	Height mm	Weight kg
810211	210	800 x	600 x	580	10
810111	400	950 x	700 x	720	17,5
810113	650	1200 x	920 x	820	26



## Fish Keeping Tank

Indispensable in hotels and restaurants. Also valuable for keeping bait. Water flow-through and self-cleansing action can be regulated by adjusting the overflow pipe. Cover made of zinc-plated wire mesh, bottom grate 39 x 33 cm



Order No.	Volume	Size L x W x H
02840	400 l	105 x 67 x 72 cm
02960	600 l	150 x 67 x 72 cm

### Cover

(accessory)

Order No. 02840 G for 400 l  
Order No. 02960 G for 600 l

Pictured without tilting outlet



### Diaphragm Air Pump type LP-60

Order No. 4 472 000 008  
50 Hz, 220 V, 70 l/min, 60 W, 0.4 bar

### Accessories

Not included with the tanks please tel. wast p. consult tiltina w. p.



### Diffuser Order No. 1938

Compatible with air pump Order No. 4 472 000 008  
Overall size approx. 120 x 30 cm



### Diffuser Order No. 1935

For pump  
Order No. 4 472 000 008  
Overall length approx. 110 cm Suitable  
hose Order No. 30510

## Storage and Supply tank

Made of fibre glass reinforced polyester

Drain can be realized in any size necessary and attached wherever you wish.



### Lid

Made of fibreglass-reinforced polyester, for the following tanks

Order No. 24106	300 l	
Order No. 24110	700 l	
Order No. 24112	1100 l	
Order No. 24114	1500 l	Lid also available
Order No. 24118	2200 l	with mesh

Order No.	Volume litres	Length cm	Width cm	Height cm	Weight kg
21003	200	115 x	55 x	36	8
21006	300	110 x	62 x	52	10
21010	700	118 x	83 x	80	21
21012	1100	148 x	105 x	80	35
21014	1500	168 x	125 x	80	45
21018	2200	198 x	134 x	92	70

### Drainage unit

Complete kit with of overflow pipe and brass connector for all tanks.  
Order No. 21020

BASINS - BREEDING - REARING - FATTENING





**We build the tanks ourselves, hence there is no reasonable size we cannot deliver!**

## Presentation Tanks

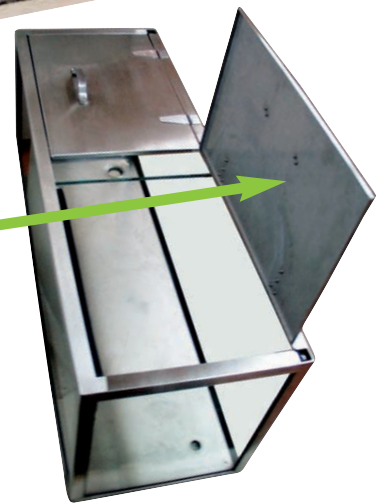
For restaurants and shops

Our presentation aquariums are especially suitable for the storage of trout, carp etc. The frames are made of stainless steel ensuring great durability. A plastic overflow pipe and stainless steel lids with handles are included.



### Standard-Maße

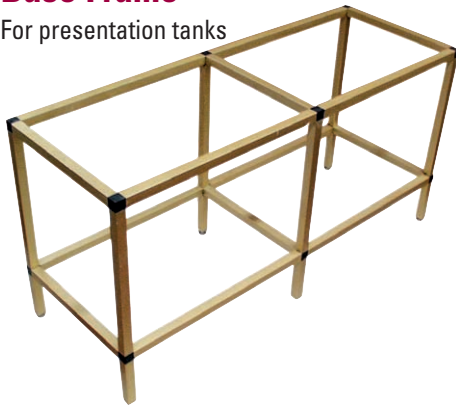
Order No.	Size cm	Volume l
32091	100 x 42,5 x 45	190
32092	120 x 42,5 x 50	250
32094	130 x 42,5 x 50	300
32098	160 x 52,5 x 60	500
32099	200 x 52,5 x 60	620



Lid with hinges

### Base Frame

For presentation tanks



Order No.	Length cm	Profile Ø
32280	100	20
32282	120	25
32284	130	25
32285	160	25
32286	200	25

### Dechlorinator

Order No. 32290

This active coal filter filters harmful chlorine as well as dissolved organic compounds out of the water supply to protect the fish. On average one charge of active coal lasts about 15 months. Every device is delivered with an operations manual.

Connector jack 2/3"

Length approx. 800 mm, Ø 250 mm



### Injector ("air jet")

Order No. 1212/1

Standard length 450 mm

Water supply from above

### Refill

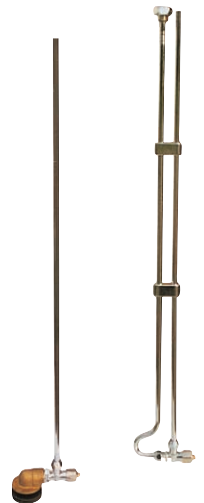
Order No. 32291

### Injector ("air jet")

Order No. 1220/1

Standard length 450 mm

Water supply from below



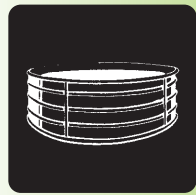
### Diaphragm pump M2K3

Order No. 1060

5 W, 220 V, 50 Hz, 300 l/h

**For more aeration products please consult chapter Aeration Systems**





## Transport Trolley

Order No. 1972 with container as pictured

Every fish breeder has been in the need to transport fish by themselves before. This transportation system greatly facilitates emptying or stocking ponds and weighing the catch. It is especially helpful under difficult conditions i.e. on narrow dams or for ponds that are difficult to reach with large trolleys.

### Technical Specifications:

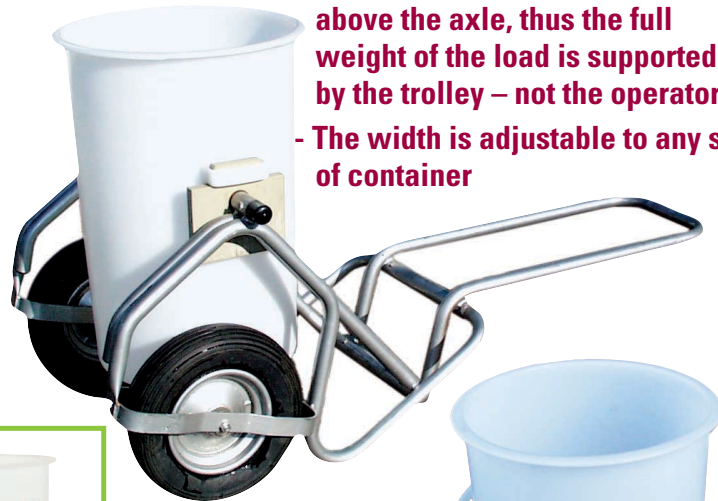
Two wheels with pneumatic tyres on a tubular frame which can be disassembled  
Plastic suspension  
Stainless steel fulcrum  
Weight 29 Kg



- Two wheels provide stability on uneven ground

- The centre of gravity is directly above the axle, thus the full weight of the load is supported by the trolley – not the operator.

- The width is adjustable to any size of container



## Container

Order No. 81062/140

### Technical Specifications:

Top Ø 710 mm  
Bottom Ø 425 mm  
Height 730 mm  
Volume 110 l



## Special Container

With tubular aluminium reinforcement in the top rim Ø 2.2 cm, material: high pressure polyethylene, colour: blue

### Order No. St1107

Inside: 77/69 x 51/43 x 39 cm  
Outside: 83/75 x 57/44 x 40 cm  
Volume: approx. 106 l  
Weight: approx. 6.3 Kg

### Order No. St1109

Inside: 77/69 x 48/39 x 25 cm  
Outside: 83/69 x 54/40 x 26 cm  
Volume: approx. 61 l  
Weight: approx. 4.6 Kg

Notches for secure and slip-proof stacking – available with or without drainage openings in the base



### Order No. St1080

Inside Ø 60/49 x 38 cm  
Outside Ø 65/50 x 40 cm  
Volume: approx. 80 l  
Weight: approx. 3.7 Kg

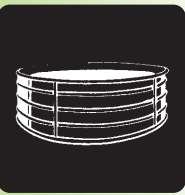
### Order No. St1058

Trolley for St1080  
Material: Aluminium  
Operational load: 150 Kg  
Ø on the outside: 52 cm

### Order No. R1197

Trolley 72 x 44.5 cm  
For St1107, St1109  
Material: Aluminium  
Operational load: 200 Kg





## Bucket black



**Bucket 10 l, black**  
**Order No. 848922**  
 Ø 260 mm, height 250 mm,  
 max. load 15 Kg

**Bucket 12 l, black**  
**Order No. 848822**  
 Ø 285 mm, height 245 mm,  
 max. load 18 Kg

**Bucket 20 l, black**  
**Order No. 849522**  
 Ø 380 mm, height 280 mm,  
 max. load 30 Kg

**Bucket 30 l, black**  
**Order No. 839822**  
 Ø 370 mm, height 420 mm,  
 max. load 45 Kg

## Container black



**Container 90 l, black**  
**Order No. 849222**  
 690 x 450 mm  
 Height 300 mm  
 Max. load 75 Kg

**Container 65 l, black**  
**Order No. 849612**  
 660 x 350 mm  
 Height 295 mm  
 Max. load 100 Kg

## Tub black



**Tub 40 l, black**  
**Order No. 849423**  
 Ø 460 mm, Height 300 mm  
 max. load 50 Kg

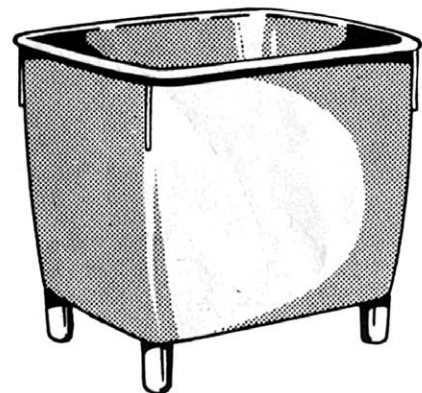
**Tub 65 l, black**  
**Order No. 849322**  
 Ø 540 mm, Height 330 mm  
 max. load 100 Kg

**Tub 85 l, black**  
**Order No. 849122**  
 Ø 580 mm, Height 380 mm  
 max. load 100 Kg

**Tub 135 l, black**  
**Order No. 849722**  
 Ø 600 mm, Height 410 mm  
 max. load 120 Kg

## Water tank 400 l

**Order No. 840122/S black**  
**Order No. 840122/G green**



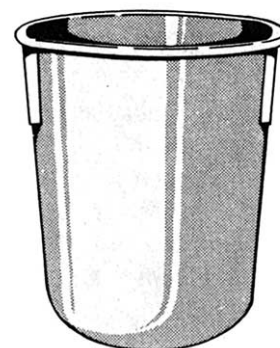
High pressure injection moulded polyethylene container on stands, highest quality, volume 400 l, colour black or green, size on the inside 890 x 650 mm, height 705 mm, height including legs 825 mm, weight 18 Kg

## Tub oval, black

**Order No. 849022**  
 550 x 650 mm, height 340 mm, max. load 100 Kg



## Water container, circular, 300 l



**Water container, circular, 300 l**  
**Order No. 840522**  
 High pressure injection moulded polyethylene barrel, black,  
 Top Ø 670 mm  
 Height 820 mm  
 Weight 10 Kg