

THERMAL TRANSFER OVERPRINTER

Videojet DataFlex Plus

- Flexible with intermittent and continuous print capabilities
- Easy to use touch screen interface
- Low cost of ownership using ribbon save technology



Identify with Videojet, world leaders in coding and marking solutions.
For more information please call +44 (0)870 240 5542,
or visit our website - www.videojet.co.uk

The Videojet DataFlex Plus Thermal Transfer Overprinter (TTO) delivers high resolution images on flexible packaging, while minimising downtime and costs associated with ribbon breaks and production changeovers. For marking variable information such as dates, times, batch codes, ingredients, logos and marketing information onto flexible film packaging, labels or glossy cards, this system provides the ultimate in productivity and efficiency.

Increased Production Line Uptime

A patented and proven, clutch-less ribbon drive that contains few wear parts, increases mechanical reliability and minimises maintenance-related downtime. Through the use of motors and software, optimal ribbon tension is consistently maintained, virtually eliminating downtime caused by ribbon breaks and false ribbon breaks. The simple ribbon cassette design combined with the 1,000 meter ribbon length means less frequent and faster ribbon changes, increasing production line efficiency.



Maximum Flexibility

The DataFlex Plus has the built-in capacity to change between intermittent and continuous modes, quickly and easily in the same unit. It also offers versatility with the ability to convert to left or right hand operation. This flexible system eliminates the need for additional investment in more printers if production requirements change. Serial, Ethernet and USB communications standard in this printer deliver the most comprehensive communications package in the industry. In addition, the flexibility of the DataFlex Plus software can help reduce overall operator interaction, therefore minimising the potential for human error, by offering as standard the capability to either drive the DataFlex Plus printer unit directly from the host packaging units controller, or to control up to four DataFlex Plus printer units from a single DataFlex Plus controller.



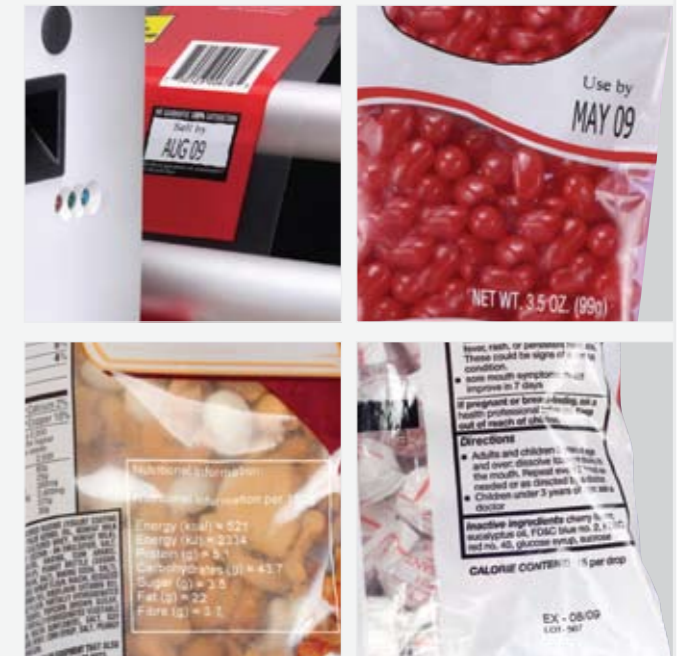
Lowest Cost of Ownership

The DataFlex Plus is designed to lower the total cost of ownership. The patented bi-directional ribbon drive utilises motors that drive both the ribbon unwind and re-wind reels, allowing unused ribbon to be recaptured after each print. This maintains a 0.5mm gap between prints from the beginning to the end of the ribbon roll, creating more prints per roll and ensuring the highest possible ribbon efficiency. The bi-directional drive eliminates over-printing and provides consistent image quality. The DataFlex Plus also offers as standard, ribbon save functions designed to further reduce ribbon expense and maximise the number of prints per roll.



High Quality Thermal Transfer Printing

The DataFlex Plus delivers high-resolution images on a wide variety of flexible packaging, labels and other materials. This system allows for on-line printing of variable and real time data such as best by dates, times, batch/lot codes, ingredients listings, car codes and logos with crisp, clear images. This efficient printer is well suited for applications in the snack food, bakery, confectionary, frozen and refrigerated foods, bagged fresh vegetables and dried fruits, meats, coffee, hardware and pharmaceutical markets.



Easy to Learn and Use

The intuitive, high resolution graphical user interface and colour touch screen incorporate easy to learn, icon-based controls and a WYSIWYG image display to reduce downloading and entry errors. There are three levels of password protection for added security. The on-board diagnostics available in the DataFlex Plus makes trouble shooting quick and easy, resulting in less downtime and reduced training requirements.



VIDEOJET DataFlex Plus

Print Specifications

Printhead

- 55 mm or 110 mm, 300dpi (12 dot/mm)

Print Area

53mm Unit

- Intermittent Printing Mode 53mm wide x 75mm long (RH option) 53mm wide x 68mm long (LH option) Continuous Printing Mode 53mm wide x 135mm long

107mm Unit

- Intermittent Printing Mode 107mm wide x 75mm long (RH option) 107mm wide x 68mm long (LH option) Continuous Printing Mode 107mm wide x 200mm long

Minimum Print Speed

53 mm / 107 mm Units

- Intermittent Printing Mode 50mm/sec Continuous Printing Mode 40mm/sec

Maximum Print Speed

53 mm Unit

- Intermittent Printing Modes 800mm/sec Continuous Printing Mode 1000mm/sec

107 mm Unit

- Intermittent Printing Modes 700mm/sec Continuous Printing Mode 800mm/sec

Operator Interface

- 8.4-inch TFT SVGA (800x600) full-colour LCD and touch screen WYSIWYG print preview Full on board diagnostics 3 level password protection Extensive language support

Ribbon Range

- Full assortment of wax / resin and resin inked ribbons

Maximum Ribbon Length

53 mm Unit

- 1000m

107 mm Unit

- 600m

Ribbon Widths

- 20mm (min) 110mm (max)

Nominal Ribbon Waste Between Successive Prints

- 0.5mm

Ribbon saving features

- Radial ribbon save Interleaved ribbon save

Printing Capabilities

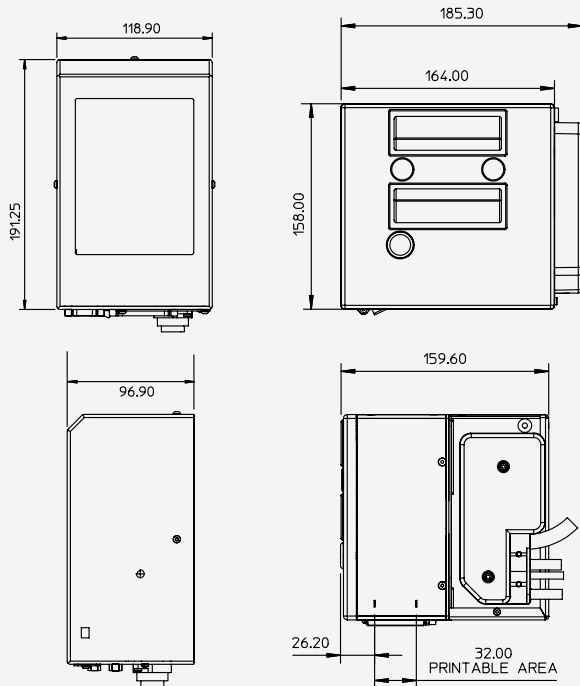
- Full downloadable font support to Windows® TrueType® (including multiple languages and Unicode support) Fixed, variable and merged text fields Flexible date/time formats Flexible shift code formats Auto 'best before date' calculations and concession management Auto incrementing/decrementing alpha numeric characters and barcodes Multiple graphic formats supported (upto maximum print area) Link fields to databases Scalable text and text blocks

Barcodes

- EAN 8, EAN 13, UPC-A, UPC-E, Code 39, EAN 128, Code 128, ITF, RSS (including 2D composite codes) Others available upon request

Power Supply

- 90-264V



Air Supply

- 6 Bar, 90psi, uncontaminated 1.0ml/cycle (max)

Operating Temperature

- 5°- 40° C

External Inputs

- 3 PNP inputs

External Outputs

- 2 relay outputs and 2 PNP +24V outputs

External Communications

- RS232, Ethernet, USB memory stick support, Binary and ASCII comms protocols and Windows drivers

Remote Coder Configuration software

- CLARITY Configuration Manager "Off-line" set up and parameter storage available as standard

Image Design Software

- CLARISOFT

Network Management Software

- CLARINET

Standard Installation Options Master/ Slave Configuration

- Up to 4 x DataFlex Plus units controlled via a Single CLARiTY control unit

Web Browser Mode

- Remote control of the DataFlex Plus units from a host bagging system own control box interface

Complete Customer Care

At Videojet we offer you a world leading after sales service. You have the opportunity to take maximum advantage of the full Videojet bundle of products and services to obtain superior product marking and coding with maximum equipment uptime. Our families of green, environmentally friendly fluids, have been helping customers meet and exceed their expectations and objectives for years. We can also provide inks with fewer or no volatile organic compounds (VOCs) enforcing our commitment to a greener code.



© 2008 Videojet Technologies Inc. – All rights reserved. Videojet Technologies Inc.'s policy is one of continued improvement. We reserve the right to alter design and/or specifications without notice. Videojet, and TotalSource are registered trademarks and Connector is a trademark of Videojet Technologies Inc. CompactFlash is a registered trademark of the CompactFlash Association.

Identify with Videojet, world leaders in coding and marking solutions.

For more information please call +44 (0)870 240 5542,

or visit our website – www.videojet.co.uk

