



■ Gives power to your vehicle!



Power supply

- 75 Generators
- 77 Inverters
- 78 Dimensions
- 79 Installation, Data table
- 80 Accessories, Transformers



■ Power for every demand

QUALITY SOLUTIONS
FOR YOUR
INDEPENDENCE!

If you want to explore new regions you need powerful equipment which you can rely on. With a range of generators, inverters, transformers and fuse boxes Dometic offers a perfect solution for every power demand. In order to protect your equipment and environment high functionality, best performance and low consumption are trademarks of our innovations.

Generators - For powerful performance

Dometic generators with petrol or diesel deliver ample 230 volt power, on the road as well as on the campsite. Ideal for operating your air conditioner when there is no mains hook-up around, they will also supply your microwave, toaster, power tools or office equipment with the energy needed.

Inverters - For current conversion

In order to convert 12 volt DC into 230 volt AC current with a pure sine wave Dometic inverters are equipped with state-of-the-art technology. They are noiseless and environmentally friendly, need no petrol and operate with modern power-saving technology to protect the batteries.

Transformers and fuse boxes - For safe supply

High performance 230/12 V converters from Dometic support a stable power supply and are manufactured both in linear and switch mode technology. The compact spacesaving design of Dometic fuse boxes allows easy access and installation into every vehicle.



TEC 29



Control board

■ TEC 29 – Our best-selling generator

More power, less weight

The TEC 29 petrol generator from Dometic delivers more power than its conventional predecessors and the efficiency power per kilogram has been increased about 50%. And yet it is lighter and needs much less space for installation – due to the compact design!

The power secret lies in the variable speed magnet alternator. It maintains a stable frequency and voltage with a perfect sine wave (only 1% distortion) at all times – so you can reliably run sensitive electronic equipment such as laptops.

Innovative technology

Fuel consumption is low as the TEC 29 adjusts the power depending on the load applied. Moreover the unique electronic microprocessor control not only prevents short-circuits and overloads, it also enables twice the output: Coupling two units is no problem.

Easy to operate

The board computer with illuminated display makes the operation very easy. The alphanumeric display shows all relevant functions such as voltage, amperage, starting current and hour meter. For additional safety it also features several alarms.

- Continuous output 2,600 watt
- Variable speed alternator
- Membrane fuel pump
- Suitable for supplying all Dometic air conditioners
- Engine GX 160 with 5.5 HP
- Stainless steel casing
- Most compact and lightest model



The TEC 29 is mounted underneath the vehicle's chassis or tucked away in a ventilated storage box. The installation of the exhaust is flexible.

You find the data table and drawings of all power solutions on pages 77–79.

NEW



TEC 40D



TEC 30



T 2500 H

■ Generators – Enjoy the freedom of power

When you are away from a mains hook-up Dometic generators are ideal for powering your electronic equipment like an air conditioner or power tools and other vehicle accessories. Due to powerful performance and perfect craftsmanship according to ISO 9001 standards you can even run several appliances at the same time. Dometic generators can be installed under the floor or in an external storage compartment and are easily operated from a remote panel inside the vehicle.

NEW TEC 40D – Strong and quiet

This diesel generator is ideal for every professional application: Modern inverter technology assures a perfect sinus wave, protects equipment from eventual shorting and prevents power surges with connected devices. TEC 40D is the perfect partner for your business. As the silencer is integrated the operating sound is very low. Thanks to their great reliability and low consumption Dometic generators are used also by special agencies such as National Fire Departments, Civil Protection, etc.

- Continuous output: 3,500 watt (230 V/50 Hz)
- Hatz Engine 1 B 30 V
- Super soundproof (only 64 dB at 7 mt)
- Two units can be switched in parallel (inverter technology)

TEC 30 – Diesel generator

Specially developed for larger vehicles and commercial use the TEC 30 diesel generator combines powerful performance with low consumption and low-noise operation – thanks to its super sound absorption. Equipped with modern inverter technology, electronic frequency and voltage control.

- Continuous output: 2,500 watt
- Hatz engine 1 B 20 V with 4.5 HP
- Super soundproof
- Two units can be switched in parallel (for 4,800 watt)

Comfort through technology

To increase your safety all Dometic generators include a remote control board and an automatic change-over relay. They are fitted with electronic ignition, electrical starter, automatic low oil cut-off and a 12 volt output for battery charging with electronic regulator. Standard equipment also includes an extension cable and fixing brackets to allow an easy installation. In addition a wide range of accessories like petrol tanks, exhaust extensions and silencers is available. Some models can even be altered to propane gas operation.

T 2500 H – Proven power

With a low noise level and low fuel consumption in combination with a reliable continuous power supply for various electronic equipment the T 2500 has proven itself in vehicles of every kind all around the world. The robust design and high-quality production guarantee a reliable performance for many years.

- Continuous output: 2,000 watt
- Engine GX 160 with 5.5 HP
- Fuel consumption max. 1.2 litres/h

T 4000 H – One for two

The T 4000 H has been especially designed to run two Dometic air conditioners at the same time – such as two B 2200.

- Continuous output: 3,500 watt
- Engine GX 270 with 9.0 HP

T 5500 H – Premium power

With a maximum output of 5.3 kW the T 5500 H is the most powerful generator from Dometic. Ideal for commercial vehicles and professional applications.

- Continuous output: 4,500 watt
- Engine GX 390 with 13.0 HP
- Built-in fuel tank 15 litres



■ Inverters – 230 volt power from the battery

Experience the new generation of inverters which convert 12 volt DC current from the battery into 230 volt AC current. As both Dometic inverters produce a pure sine wave frequency they are suited to run all kinds of 230 volt appliances – including the Dometic air conditioners B 1100S, B 1500S and B 1600. Dometic inverters are equipped with many high-quality features: Though powerful in performance they operate absolutely noiselessly. Moreover they are especially environment-friendly as they require no petrol and operate with the latest energy-saving technology to protect the batteries of your vehicle.

Inverters

	SI 600 acs	SI 1500
Voltage	12 volt*	12 volt*
Continuous output, watt	600	1,500
Maximum output, watt	800	2,000
Net weight, kg	3.3	7.0
Dimensions, mm (H x W x L)	80 x 179 x 290	105 x 275 x 390
Input voltage, DC	12	12
Output voltage, AC	230	230
Wave from Sinus, THD	< 3%	< 3%
Full load efficiency, %	90	86
Peak output current, ampere	-	11
No load current draw, ampere	0.87	0.12
Power-saving recovery, seconds	-	5
Frequency, Hz	50	50

* Also 24 volt versions available. Inverters cannot be used in the UK. Subject to alteration.



SI 1500 – Power on demand

Extraordinary performance and a perfect sinus wave are the trademarks of this successful inverter. On top of this you receive a whole range of comfort features such as a power-saving sleep mode, separate indicators for voltage and watt meter as well as two thermostatically controlled fans.

- Continuous output 1,500 watt
- Status protection displays with 4 LEDs
- Optional remote control
- 230 volt safety outlet cover, European standard CEE 7

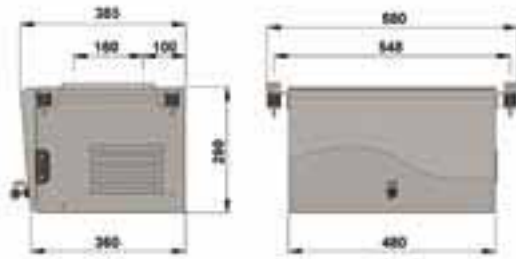
SI 600 acs – Instant operation

If you need to power very sensitive electronic equipment this Dometic inverter offers the ideal solution. To guarantee an instant and interruption-free operation it features ultra-fast transfer time and synchronized operation with the AC source.

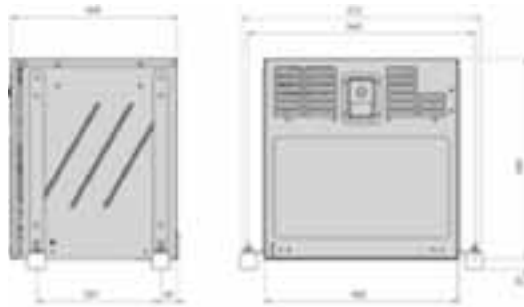
- Continuous output 600 watt
- 3-colour LED operation displays
- Built-in 10 A rating AC transfer switch acs, with 230 volt AC plug-in socket
- 230 volt safety outlet cover, European standard CEE 7

■ Dimensions

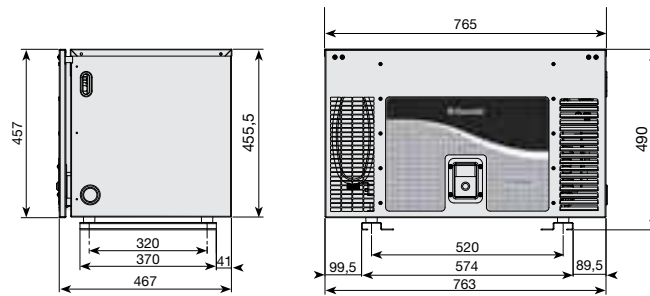
TEC 29



TEC 30



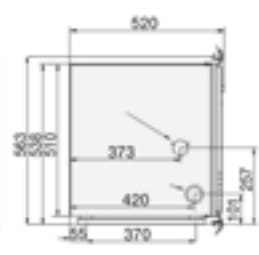
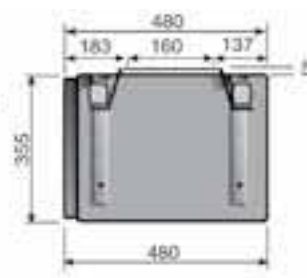
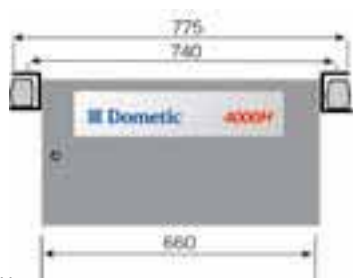
TEC 40D



T 2500 H



T 4000 H



T 5500

All dimensions in mm.

■ Technical data

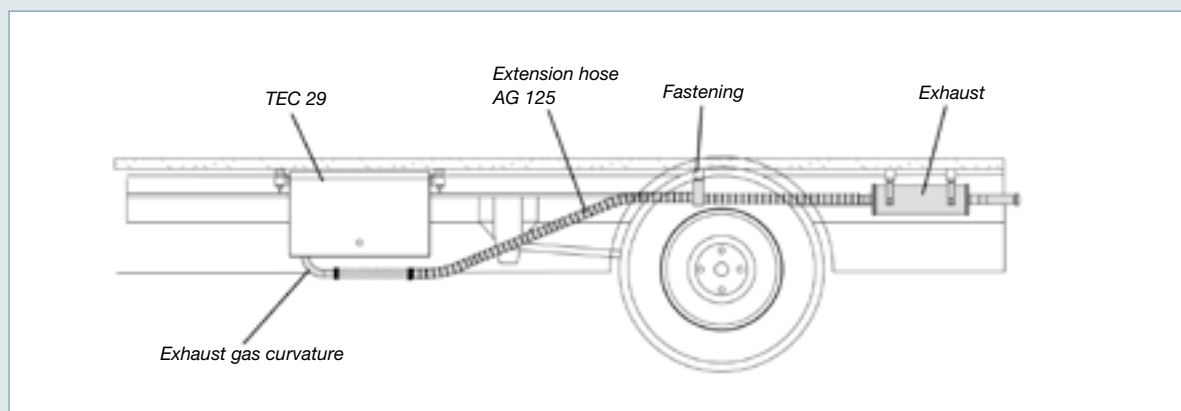
Dometic also offers a comprehensive range of air conditioners (see page 27-34).

Generators

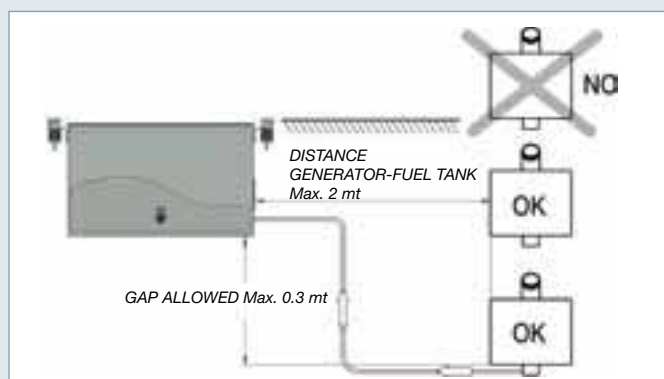
	T 2500 H	TEC 29	TEC 30	TEC 40D	T 4000 H	T 5500 H
Continuous output, watt	2,000	2,600	2,500	3,500	3,500	4,500
Maximum output, watt	2,200	2,900	2,500	3,900	3,800	5,300
Net weight, kg	50.0	44.0	70.0	96.5	102.0	132.0
Frequency, Hz	50	50	50	50	50	50
Engine, HP	5.5	5.5	4.5	6.4	9.0	13.0
Displacement, cm ³	163.4	163.4	232.0	347.0	270.0	389.0
Consumption litres/h, max.	1.2	1.2	0.7	1.4	2.3	3.2
Dimensions, mm (H x W x D)	290 x 530 x 385	290 x 480 x 385	484 x 462 x 406	457 x 765 x 467	355 x 660 x 480	510 x 700 x 520
Width with suspension, mm	640	580	572	765	775	742
Sound level at 7 mt dB(A)	60	54/59	60	64	62	62
Guaranteed sound power level (LWA) dB(A) 2000/14/EC	86	86	85	64	89	91
Remote control	●	●	●	●	●	●
12 V output for battery charging	●	●	●	●	●	●
Automatic low oil cut-off	●	●	●	●	●	●
Electronic ignition	●	●			●	●
Electrical starter	●	●	●	●	●	●

Subject to alteration.

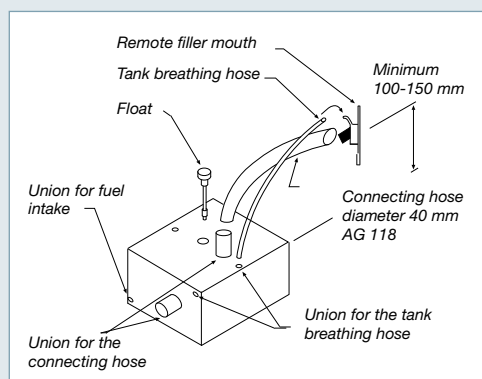
■ Installation examples for generators



Example of exhaust installation of TEC 29. Use the flexible metal hose (2 metres come as standard together with the silencer) to mount the exhaust pipe. Further exhaust extension AG 125 is optional.



TEC 29, T 2500 H, T 4000 H: Recommendations for fuel tank installation.



Installing the tank AG 101. When connecting the tank to the tank-mouth connecting hose, seal all pipe unions with Loctite 577 to prevent fuel leakage.

■ Generator accessories

- AG 100** Stainless steel petrol tank (20 litres) with float for indicator and remote locking filler
- AG 101** Plastic petrol tank (15 litres) with float for fuel indicator and locking remote filler cap
- AG 102** Change-over relay (generator/mains) for T 2500 H/ TEC 29 (standard)
- AG 106** Exhaust extension for T 2500 H
- AG 111** Voltage regulator for recharging battery of T 2500 H/ T 4000 H/ T 5500 H
- AG 117** Plastic petrol tank (15 litres) with supports and integral fuel-filler
- AG 118** Hose for connecting tank to locking cap (unleaded fuel). 40 mm diameter
- AG 121** Two brackets for mounting generator (T 2500 H/ TEC 29) to chassis
- AG 123** Rubber hose (for unleaded fuel). 6 mm diameter
- AG 124** Rubber hose (for fuel tank breather). 10 mm diameter
- AG 125** Flexible exhaust hose. 25 mm diameter (available in lengths of 2 and 5 m)
- AG 129** For hang up installation of TEC 30 – includes wall brackets and exhaust curved manifold
- AG 139** Silencer with provision for extension pipe adapter for T 2500 H
- AG 140/141** Adapters for connecting extension pipes to silencer AG 139
AG 140 Straight exhaust manifold.
AG 141 Curved exhaust manifold (90°)
- AG 142** Clip for flexible hose AG 125. 25 mm diameter
- AG 150** Hose set for AG 101 and AG 100. (1 m each of 6, 10 and 40 mm diameter hoses and 3 x 2 clips)

■ Power for illumination

The smart solution

The high performance 230/12 volt converters are specially designed for caravans and motorhomes. Whether lights, TV or water pump: They reliably support a stable power supply – thanks to an innovative approach. Manufactured both in linear and switch mode technology, you can use them for 230 volt mains operation and to supply 230 volt as well as 12 volt appliances - even at the same time.

If you activate 230 volt an integrated converter will automatically keep up the power supply for any 12 volt appliance. A smart solution for comfort on the move: The compact space-saving design allows easy access and installation into every vehicle.



Fuse box with integrated converter H
With B 10 A circuit breaker and build-in 12 V mains adaptor performing at 2 x 9 A DC current



Fuse box B 13 A H
2-pole 13 A circuit breaker with 3-wire-socket



Fuse box
10 A / 2-pole for the AC / DC transformer

Constant power source H
(not illustrated)
Transformer to operate two LED series spots respectively



AC/DC transformer
230 V / 12 V, 240 W, without fan.
Also available: AC/DC transformer 230 V / 12 V, 400 W with fan