

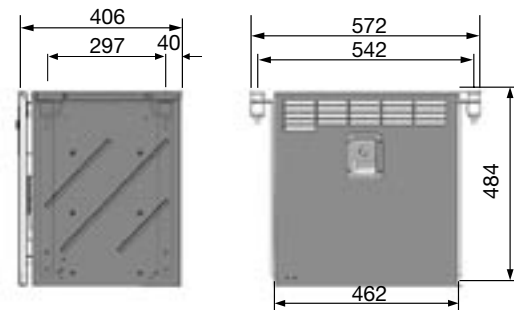
NEW!

Strong. Quiet. Diesel.

■ Dometic Generator TEC 30

Dometic's new Diesel generator – that's powerful performance combined with low consumption and low-noise operation thanks to its super sound absorption. Modern inverter technology ensures a perfect sinus curve, protects the generator from shorting and prevents power surges with connected devices. Frequency and voltage are controlled electronically, and variable speeds lower the fuel consumption. Should you need excess power, you can always operate two generators in parallel.

- Maximum output 2,9 kW
Continuous output 2.5 kW (230 Volt)
- 12 volt output for battery charging with electronic regulator; power 10 Ampere
- Suitable for supplying many electric appliances and all Dometic AirConditioners
- Weight 70 kg
- Hatz engine(1 B 20V) with 232 cm³ displacement
- Power output: 4.5 horsepowers
- Fuel consumption max. 0.7 liter/h
- Electronic ignition
- Power starter
- Automatic low oil cut-off
- Noise level 60 dBA / 7 meter
- Remote control board with illuminated multi-functional display
- Electric fuel pump
- No extra tank required
- Stainless steel casing
- Super sound proofing
- 2 devices can be switched in parallel (for 5 kW)



Strong. Quiet. Mobile.

■ Strong Generators from Dometic

Compact, quiet and extremely efficient:

Dometic generators deliver ample power, on the move as well as in idle – the kind of energy needed to supply several appliances at the same time. Ideal for operating the AirConditioner when there's no mains hook-up around, they will also supply the microwave, toaster, power tools or office equipment with the energy needed. Dometic generators are just great for every professional demand: emergency equipment, power tools, news-gathering and media vehicles – top performers for a top job.

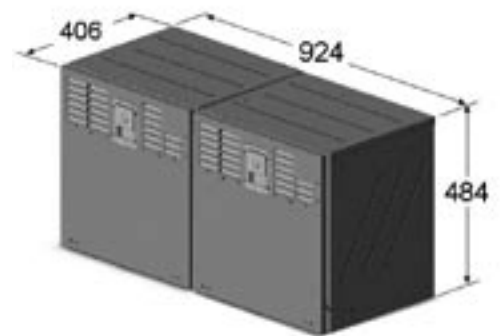
You'll experience perfect craftsmanship, manufactured under ISO 9002 standards. Accompanied by superior performance and easy operation. All generators from Dometic are operated and controlled from a remote panel inside the vehicle. They come standard with a remote operation panel, extension cable, fixing material and an automatic change-over relay and are fitted with electronic ignition, electrical starter and automatic low oil cut-off.



The guarantee for top quality: Dometic Generators and AirConditioners are manufactured under ISO 9002 standard.



The board computer with illuminated display considerably improves the user-friendliness, thanks to an alphanumeric display which shows a lot of functions, e.g. Voltage/AC, Amperage/AC, Voltage/DC (starting battery), Hourmeter plus several alarms in case of failure.



If you need exceptionally much power, you can operate 2 devices in parallel.

Dometic

is a leading international supplier of special refrigeration and other products and systems that it develops, designs and manufactures for use in leisure applications, including recreation vehicles, pleasure boats and hotel rooms to meet specific end-user needs for increased comfort away from home. Dometic also supplies special refrigeration for medical applications. Dometic is

organised in two business areas, RV and Pleasure Boat Systems and Special Refrigeration Systems. Dometic has production facilities in 10 countries, its own sales and marketing operations in 35 countries plus approximately 65 distributors globally. 2002 sales amounted to approximately 700 Mio. Euro and the number of employees to 4.000.