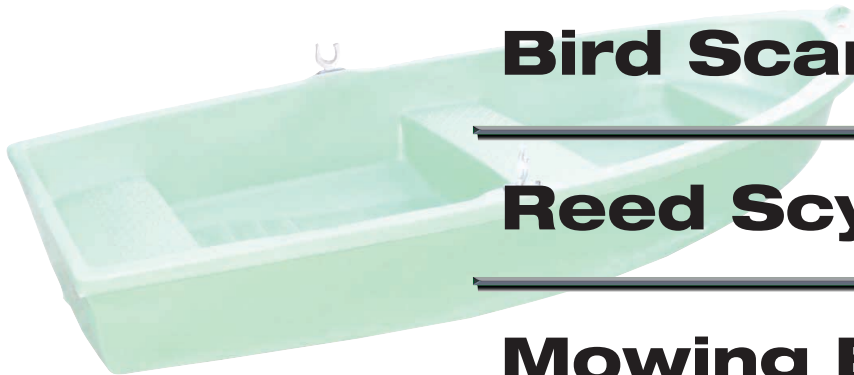


Traps

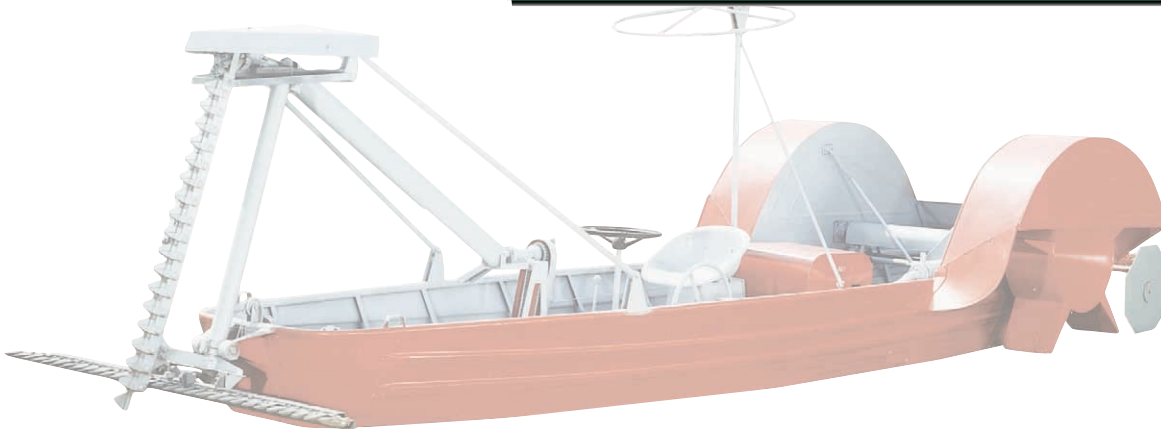
Bird Scarer

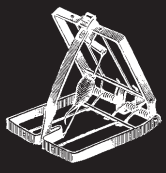


Reed Scythe

Mowing Boat

Boats





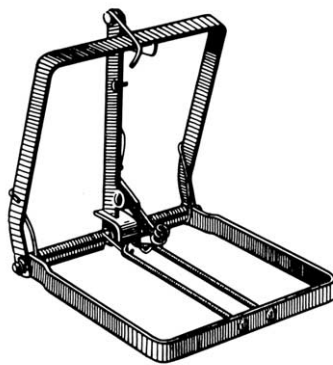
Muskrat Bait Trap

Order No. 1920

The Muskrat Bait Trap features a safety trigger which only releases when the bait is pulled away or lifted off the trap.

The trap is uncomplicated and easy to handle while it weighs a mere 800g. The trap is cocked and loaded in a few, easy steps. The trigger features a screw to fasten the bait.

On special request the trigger can be featured with a forked spike for the bait instead of the screw.



Gripping Trap

Order No. 1925

Federal muskrat trappers utilise this trap, putting it up in front of the den or with bait.

Illustration 1 shows the trap at the den entrance.

Illustration 2 shows the way to put up with bait at the waterside or mounted on a board as a floating trap.

With this method even the last muskrat can be trapped even in larger ponds.

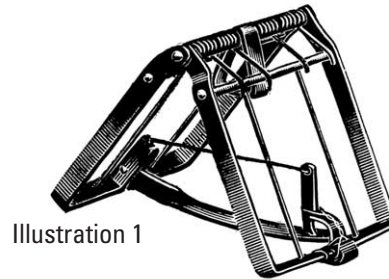


Illustration 1

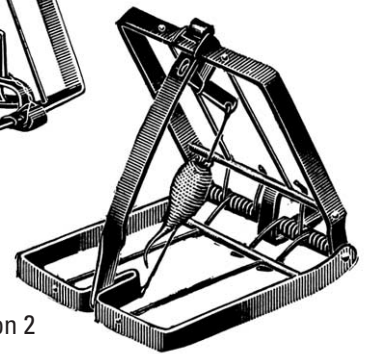
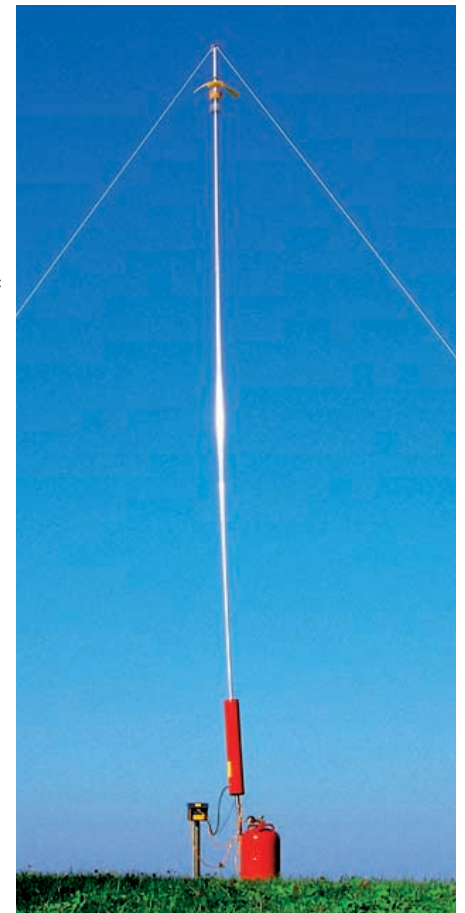


Illustration 2

Razzo, the unwanted guest, the heron, can finally be driven away forever

Order No. 1963

Compared to other bird scarers or scarecrows this one is the most effective and modern. In addition to an acoustical blast the movement of the dummy drives away the birds. The dummy, which represents a bird of prey to many kinds of pest like herons is fired 8 m into the sky. An additional advantage of the Razzo bird scarer is the possibility to adjust the loudness of the blast. Hence it is possible to put it up close to residential areas where normal bird guns cannot be used due to their loudness. The effectiveness of the scarer is ensured through the bird of prey dummy. The force of the blast can be adjusted by adding or reducing the number of reducer disks in the barrel. Instead of the flapping dummy an even more effective butterfly type with large eyes can be used. It rebounds a few times reinforcing the scaring effect. Especially suitable for fish farms without supervision.

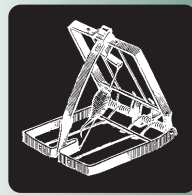


Accessories:

Order No. 1963/Sch
Order No.. 1976

Buttefly dummy
Razzo Triplex

With electronic timer. The shot time can be exactly set.
You are losing money without a scarer!



Reed Scythe

Universal reed scythe with fastening screws and pull-eyes.

Order No.	No of links	Overall length	Order No.	No of links	Overall length
5/250	5	250	8/400	8	400
6/300	6	300	9/450	9	450
7/350	7	350	10/500	10	500

Please state number of links or overall length when ordering. Weight balls, pull-chains, pull-ropes, pull-bar mountings and wrench are billed separately.



Description

This universal reed scythe (movable chain scythe or link scythe) is a formidable means of weeding any waters. It is comprised of any number of links cast of high grade scythe-steel movably connected by screws as well as two eyes for connecting pull ropes, chains or bars. Also two or more weight balls are connected to ensure an even depth of the cut.

Usable length

The usable length depends on the type and width of the waterway to be weeded. Standard lengths are available from 2.5 to 5.0 m (equals 5 to 10 links of 50 cm each).

Instructions

Two mowers take the assembled device by the two ends, let it drop to the waterbed and make sure the blade is positioned in front of the weed against the direction of the water current. The two mowers keep sufficient distance to each other and yank the scythe back and forth, taking turns. The one who is pulling makes sure the scythe moves up the stream against the current, while the other one lets out enough rope to make sure the device is not lifted off the ground. A clean cut is easily achieved.

The scythe is to be kept sharp and in good condition. This is done the same way as with normal scythes for crops or hay by hammering and sharpening.

Ways of use

The best way of use for your individual case depends on the type of water and is easily determined in the practice.

In small waters the operation is performed from the banks.

If the water is too broad but not too deep the operators may wade in the water or use boats depending on the seasonal water temperature.

For deep and broad waters the use of skiffs or motorboats is mandatory.

Accessories:

Order No.

11/500	weight ball with spindle and hook
12/500	wrench
13/500	connecting screws
14/500	replacement middle knife
15/500	replacement end knife with mounting eyes and pull bar connection for two screws



Mowing Boat

Order No. 4 120 000 042

Mowing Boats are indispensable for the maintenance of ponds and lakes to remove underwater growth.

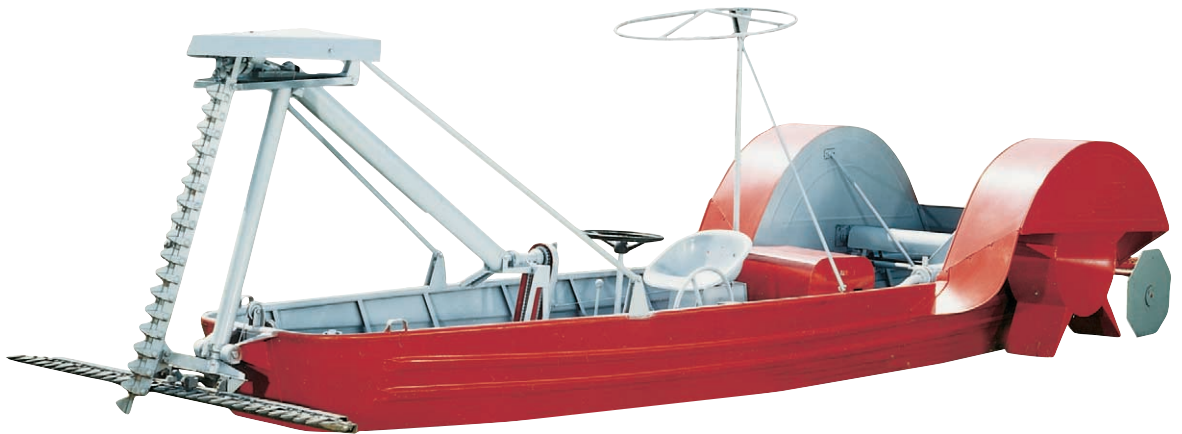
Technical Data:

L x W: approx. 5000 x 2000 mm

Drive: air-cooled diesel engine 10 hp

Construction: painted steel

The mowing boat is equipped with an air-cooled diesel engine which powers the boat as well as the mowing bars. The power transmission from the engine to the paddlewheels and the mowing bar is purely mechanical. The paddlewheels on either side of the aft of the boat drive the boat. A vertical and a horizontal mowing bar allow flexible mowing of lakes and channels.



Skiff Marina II for fun and hard work use

Skiff Marina II – Order No. 00530 F

1 pair off paddles – Order No. 00730 F

The paddleboat is seamlessly die-cast in one piece from high grade PE. It features a dual wall construction.

The material (Polyethylene) is UV resistant, cold- and heat-resistant and highly shockproof.



Suitable paddles
Order No. 00730 F

MARINA II is a sturdy, reliable boat which is entirely maintenance-free and absolutely unsinkable as the used material is lighter than water.

The design allows a high level of capsizing safety.

MARINA II seats comfortably three adults and can be transported on car roofs.

Standard colour: green

Technical Data:

Length 10 ft = 3000 mm

Width 1200 mm

Height 580 mm

Weight 45 Kg

Supported weight 400 Kg (up to 20 cm overboard)

