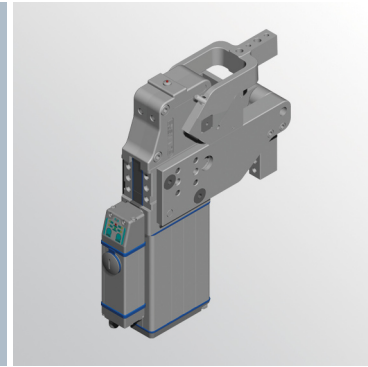


LDE225

Double arm power clamp



| | | | | | | | | | | |
|---|---|---|---|---|---|---|---|---|---|---|
| L | D | E | 2 | 2 | 5 | V | P | D | 1 | 0 |
| 1 | | 2 | | | 3 | 4 | 5 | 6 | | |

| | | |
|-----------------|---------------|--------------------------|
| 1 Series | 2 Size | 3 Arm mount style |
|-----------------|---------------|--------------------------|

LDE = Double arm power clamp

225

V = 90°

O = 180°

| | | |
|-----------------------|--------------------|-------------------------|
| 4 Arm geometry | 5 Arm style | 3 Control module |
|-----------------------|--------------------|-------------------------|

P = Parallel

O = Orthogonal

I = Parallel with inverted movement
max. 15°(upon request)

C = Central

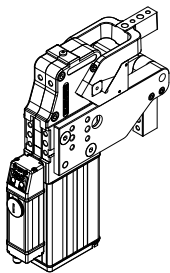
D = Right

S = Left

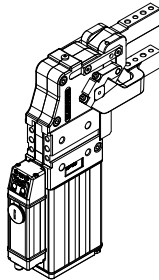
10 = 1 connector - standard software

20 = 2 connector - standard software

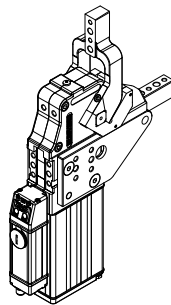
90° orthogonal



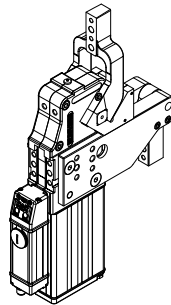
90° parallel



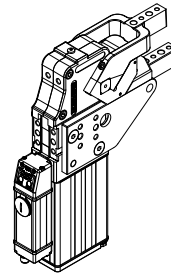
180° orthogonal



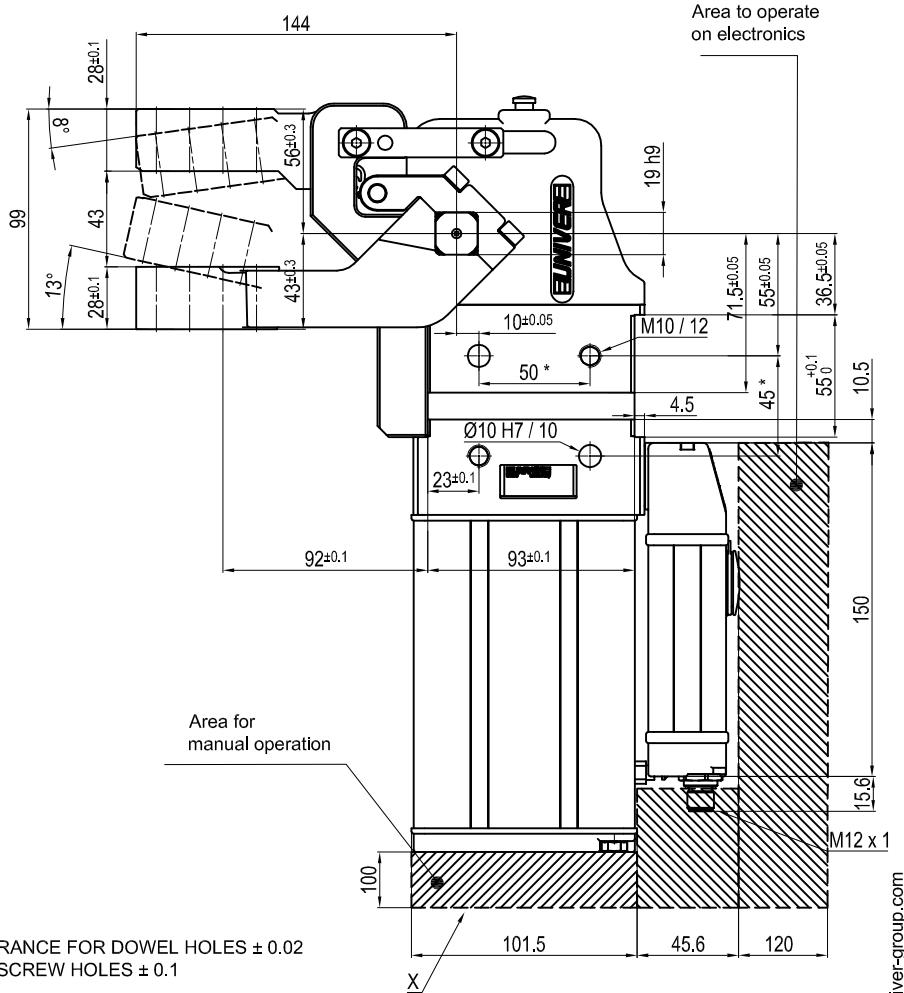
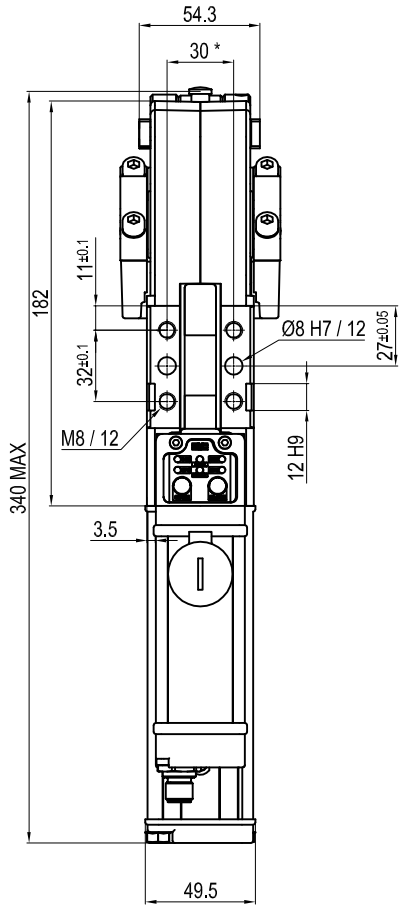
180° parallel



180° parallel inverted movement

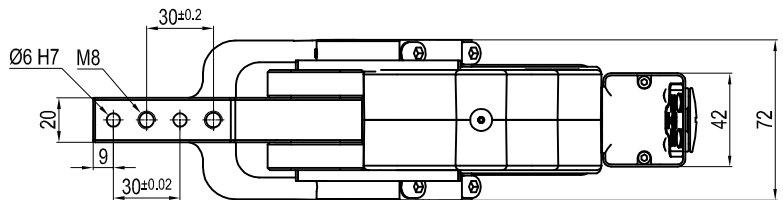
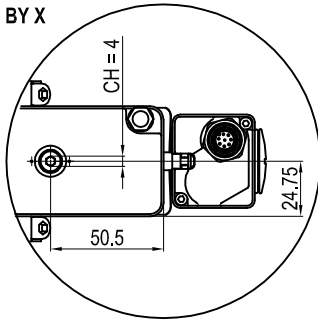


ELECTRIC DOUBLE ARM TOGGLE LEVER CLAMP: PARALLEL WITH INVERTED MOVEMENT LDE 225 V I C __ SERIES



* : TOLERANCE FOR DOWEL HOLES ± 0.02
FOR SCREW HOLES ± 0.1

SEEN BY X



Temperature range : 5° + 40°C
Opening angles available : 15°
Work position : vertical
Class protection : IP 65

| Size | Clamping Torque | Sec. to clamping point | Max weight |
|------|-----------------|------------------------|------------|
| 225 | 225 Nm | 1 sec x 90° | 8 Kg. |

Subject to technical modifications without notice

Ordering code

LDE 225 V I C __

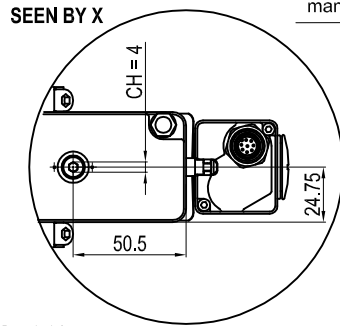
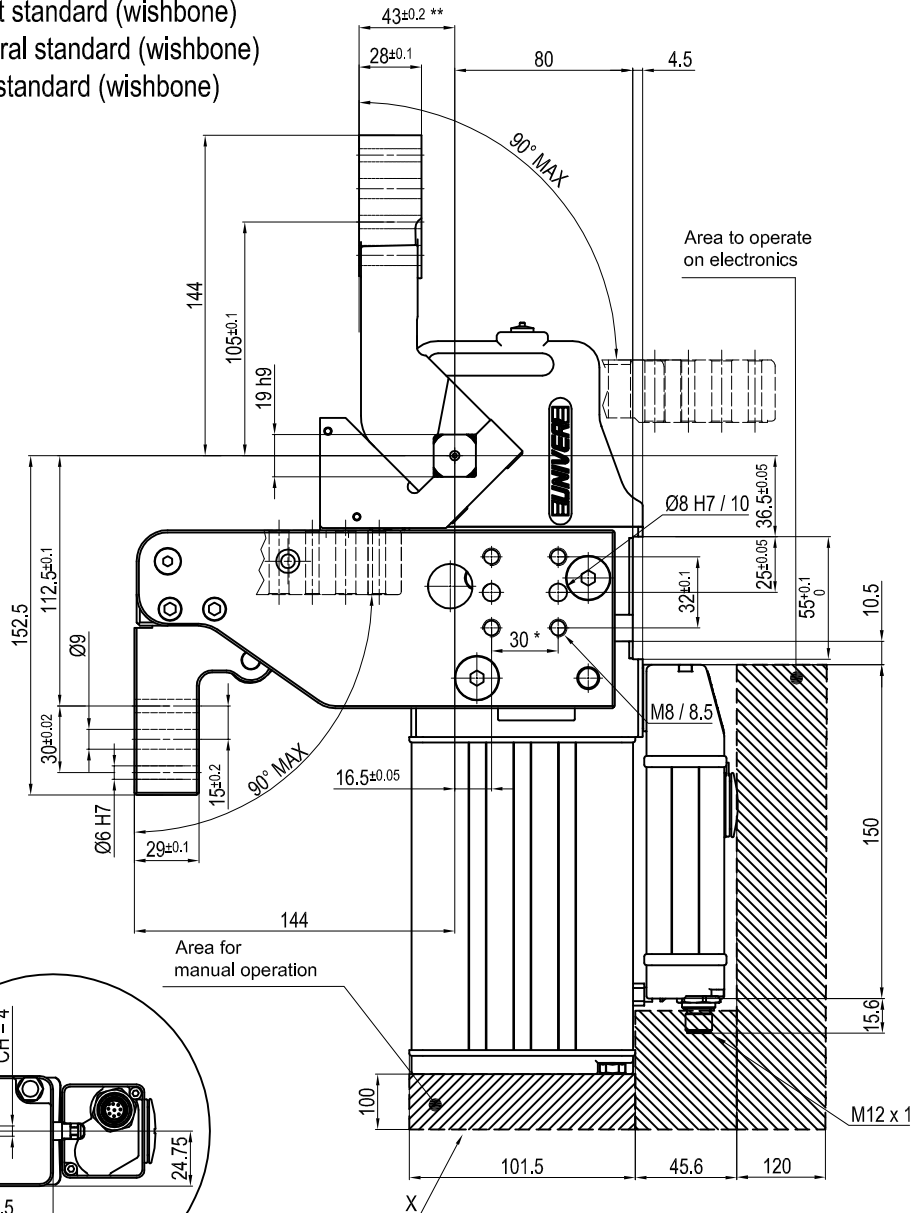
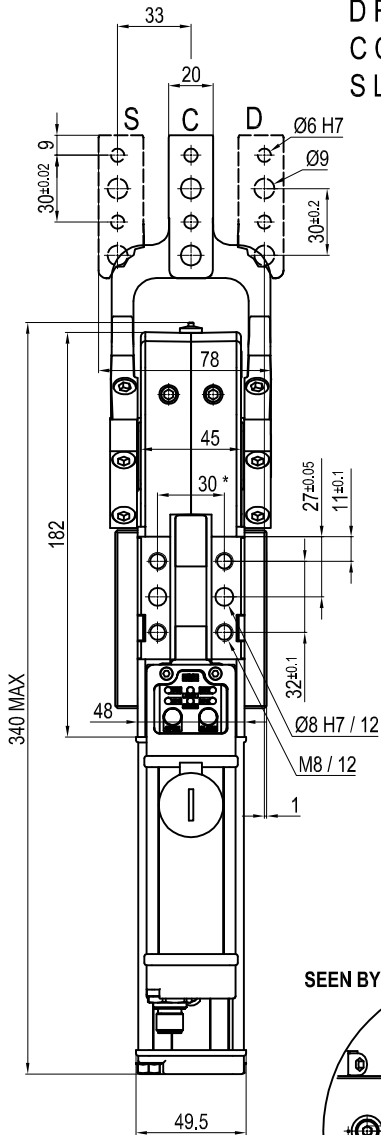
Series | Size | Arm position | Arm type | Module

UNIVER S.p.A. Headquarters:

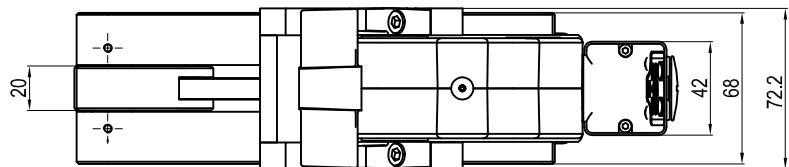
20128 MILANO Via Eracilio, 31 - Tel. +39-0225298-1 - Fax +39-022575254 www.univer-group.com

ELECTRIC DOUBLE ARM TOGGLE LEVER CLAMP: 180° PARALLEL
LDE 225 O P ___ SERIES

CLAMP ARM TYPE :
D Right standard (wishbone)
C Central standard (wishbone)
S Left standard (wishbone)



- * : TOLERANCE FOR DOWEL HOLES ± 0.02
FOR SCREW HOLES ± 0.1
- ** : TOLERANCE AT 80mm FROM PIVOT POINT



Temperature range : $5^\circ \pm 40^\circ\text{C}$
Opening angles available : $90^\circ - 75^\circ - 60^\circ - 45^\circ - 30^\circ - 15^\circ$
Work position : horizontal
Class protection : **IP 65**

| Size | Clamping Torque | Sec. to clamping point | Max weight |
|------|-----------------|------------------------|------------|
| 225 | 225 Nm | 1 sec x 90° | 9,6 Kg. |

Subject to technical modifications without notice

Ordering code

LDE 225 O P ___

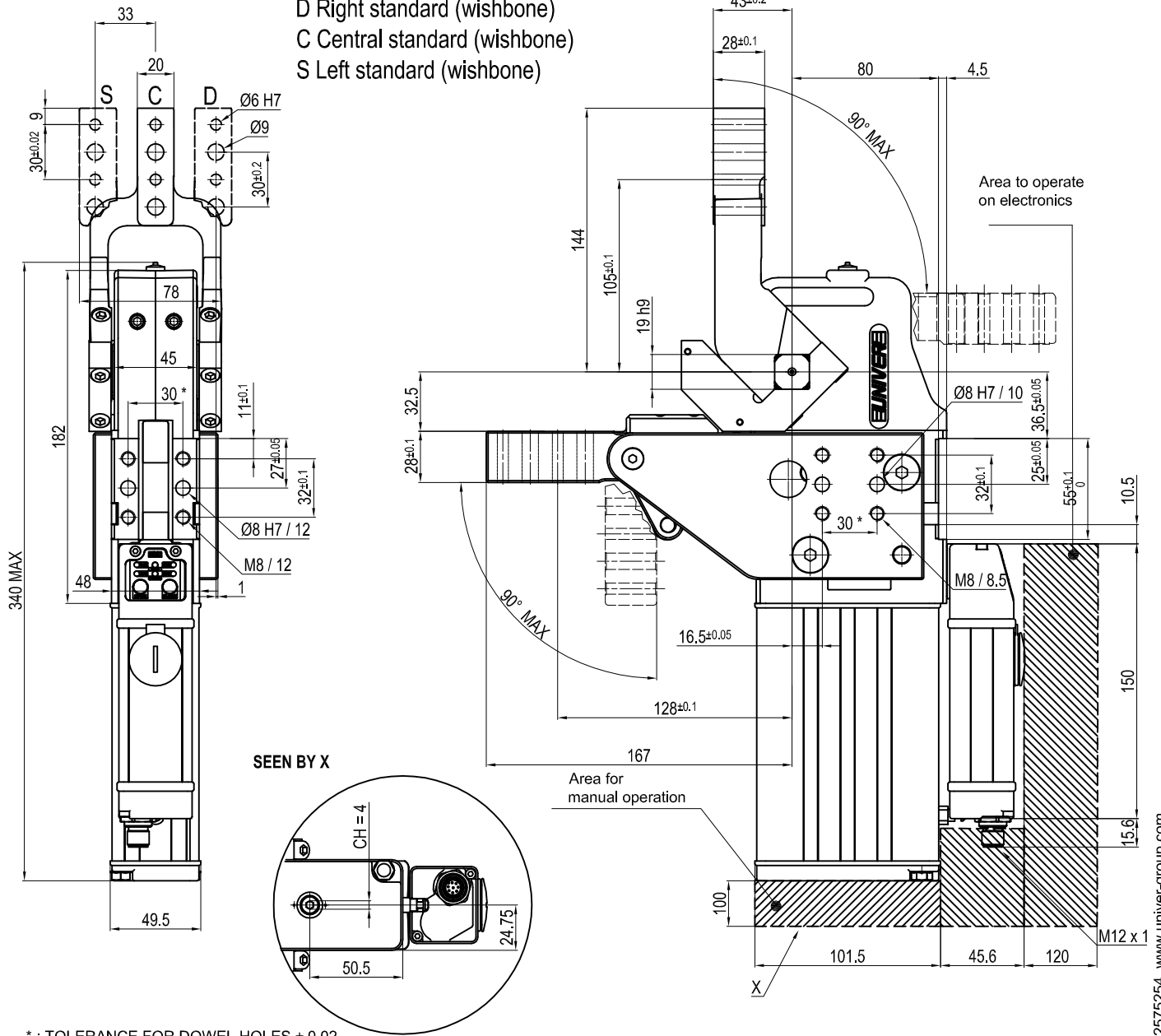
Series | Size | Arm position | Arm type | Module

UNIVER S.p.A. Headquarters:

I - 20128 MILANO Via Eracito, 31 - Tel. +39-0225298-1 - Fax +39-022525254 www.univer-group.com

A TERMINE DI LEGGE CI RISERVIAMO LA PROPRIETÀ DI QUESTO DISEGNO CON DIVIETO ASSOLUTO DI RIPRODURLO O DI RENDERSI COMUNQUE NOTO A TERZI O DITTE CONCORRENTI SENZA NOSTRA SPECIFICA AUTORIZZAZIONE

CLAMP ARM TYPE :
D Right standard (wishbone)
C Central standard (wishbone)
S Left standard (wishbone)



* : TOLERANCE FOR DOWEL HOLES ± 0.02
FOR SCREW HOLES ± 0.1

** : TOLERANCE AT 80mm FROM PIVOT POINT

Temperature range : 5° ± 40°C
Opening angles available : 90° - 75° - 60° - 45° - 30° - 15°
Work position : horizontal
Class protection : IP 65

| Size | Clamping Torque | Sec. to clamping point | Max weight |
|------|-----------------|------------------------|------------|
| 225 | 225 Nm | 1 sec x 90° | 9,6 Kg. |

Subject to technical modifications without notice

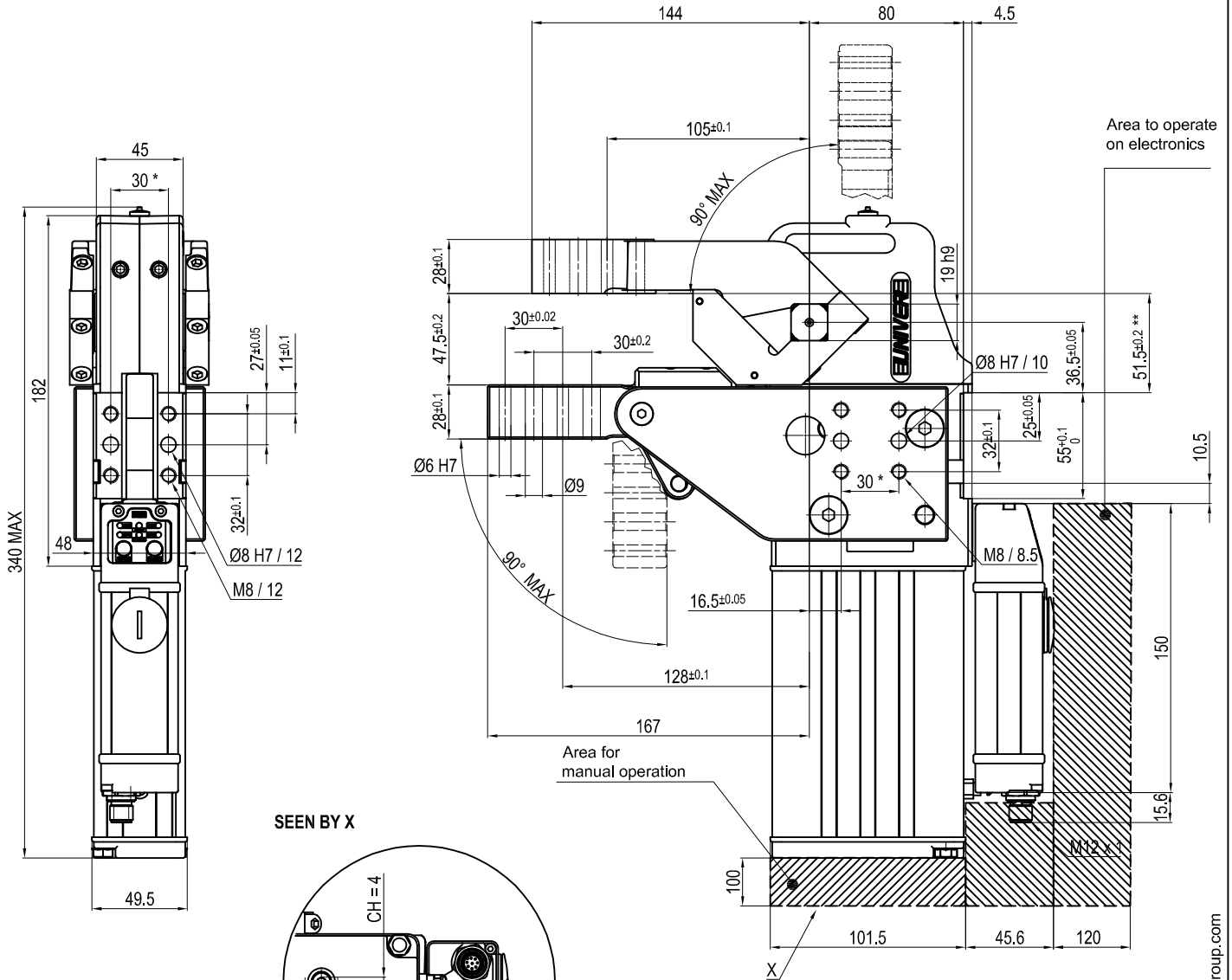
Ordering code

LDE 225 O O _ _ _
Series | Size | Arm position | Arm type | Module

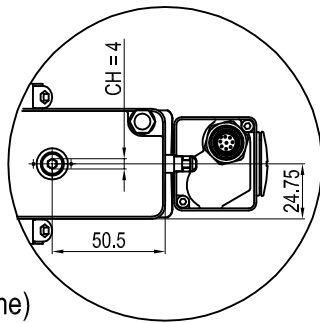
UNIVER S.p.A. Headquarters:

I - 20128 MILANO Via Eracilito, 31 - Tel. +39-0225298-1 - Fax +39-022525254 www.univer-group.com

A TERMINE DI LEGGE CI RISERVIAMO LA PROPRIETA' DI QUESTO DISEGNO CON DIVIETO ASSOLUTO DI RIPRODURLO O DI RENDERLO COMUNQUE NOTO A TERZI O DITTE CONCORRENTI SENZA NOSTRA SPECIFICA AUTORIZZAZIONE

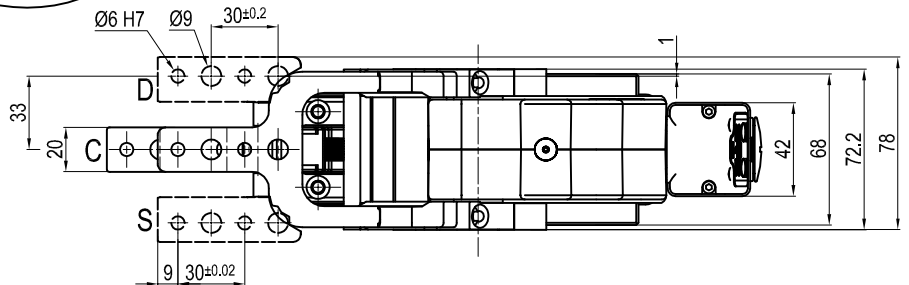


SEEN BY X



CLAMP ARM TYPE :

- D Right standard (wishbone)
- C Central standard (wishbone)
- S Left standard (wishbone)



* : TOLERANCE FOR DOWEL HOLES ± 0.02
FOR SCREW HOLES ± 0.1

** : TOLERANCE AT 80mm FROM PIVOT POINT

Temperature range : $5^{\circ} \pm 40^{\circ}C$
Opening angles available : $90^{\circ} - 75^{\circ} - 60^{\circ} - 45^{\circ} - 30^{\circ} - 15^{\circ}$
Work position : vertical
Class protection : **IP 65**

| Size | Clamping Torque | Sec. to clamping point | Max weight |
|------|-----------------|------------------------|------------|
| 225 | 225 Nm | 1 sec x 90° | 9,6 Kg. |

Subject to technical modifications without notice

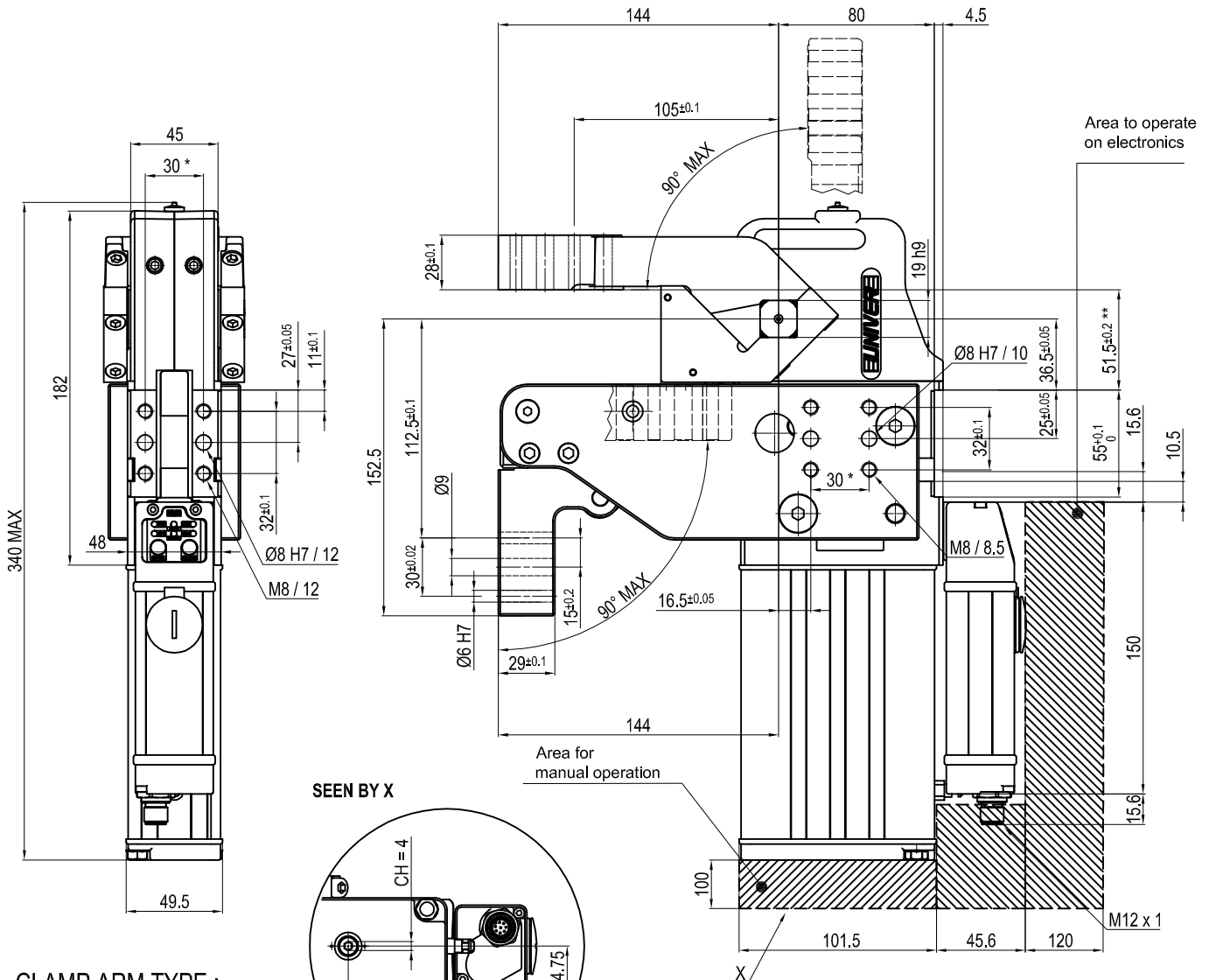
Ordering code

LDE 225 V P ___
 |
 | Module
 | Arm type
 | Arm position
 | Size
 | Series

UNIVER S.p.A. Headquarters:

I - 20128 MILANO Via Eracilito, 31 - Tel. +39-0225298-1 - Fax +39-022575254 www.univer-group.com

A TERMINE DI LEGGE CI RISERVIAMO LA PROPRIETA' DI QUESTO DISEGNO CON DIVIETO ASSOLUTO DI RIPRODURRE O DI RENDERSI COMUNQUE NOTO A TERZI O DITTE CONCORRENTI SENZA NOSTRA SPECIFICA AUTORIZZAZIONE



CLAMP ARM TYPE :
D Right standard (wishbone)
C Central standard (wishbone)
S Left standard (wishbone)

* : TOLERANCE FOR DOWEL HOLES ± 0.02
FOR SCREW HOLES ± 0.1

** : TOLERANCE AT 80mm FROM PIVOT POINT

Temperature range : $5^{\circ} + 40^{\circ}C$
Opening angles available : $90^{\circ} - 75^{\circ} - 60^{\circ} - 45^{\circ} - 30^{\circ} - 15^{\circ}$
Work position : vertical
Class protection : **IP 65**

| Size | Clamping Torque | Sec. to clamping point | Max weight |
|------|-----------------|------------------------|------------|
| 225 | 225 Nm | 1 sec x 90° | 9,6 Kg. |

Subject to technical modifications without notice

Ordering code

LDE 225 V O _ _ _
 | | | | |
 | | | | |
 | | | | |
 | | | | |
 | | | | |
 Series Arm position Arm type Module Size