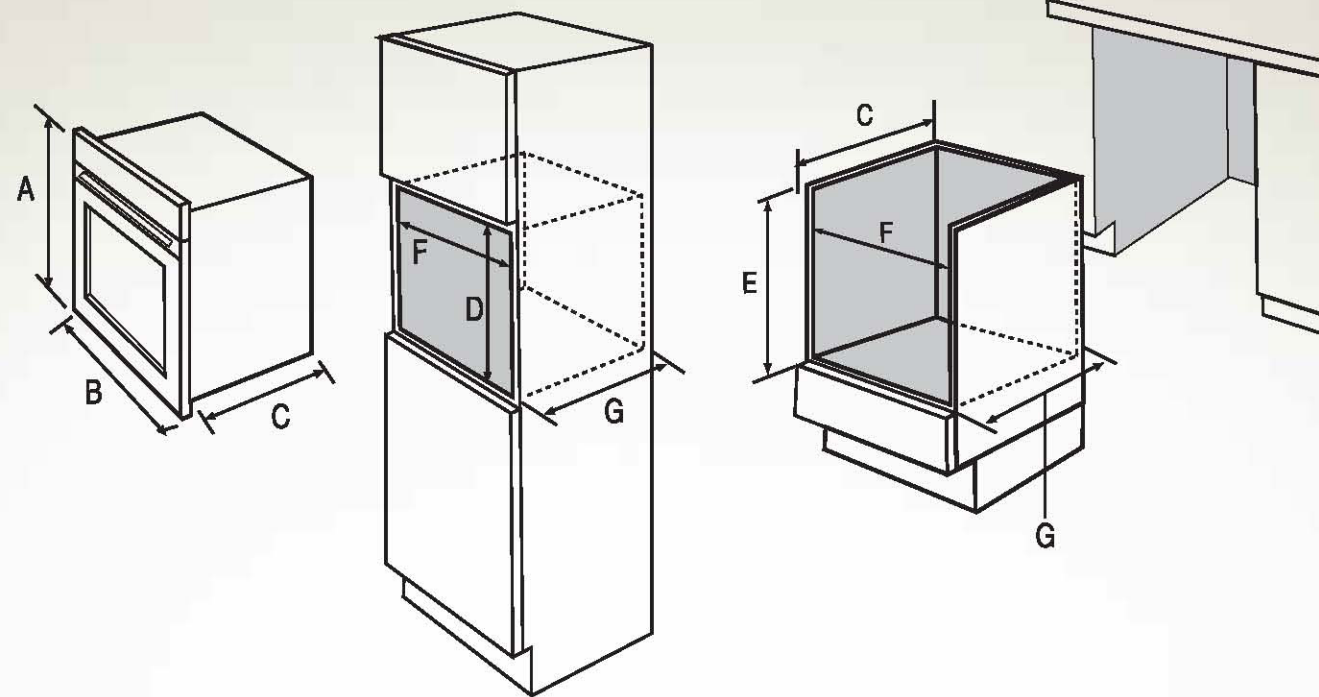
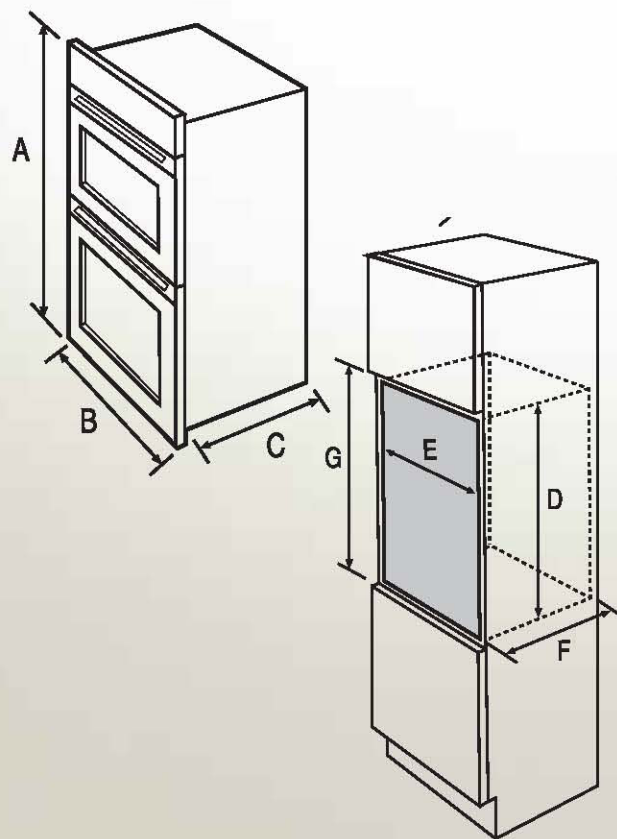


Installation diagrams

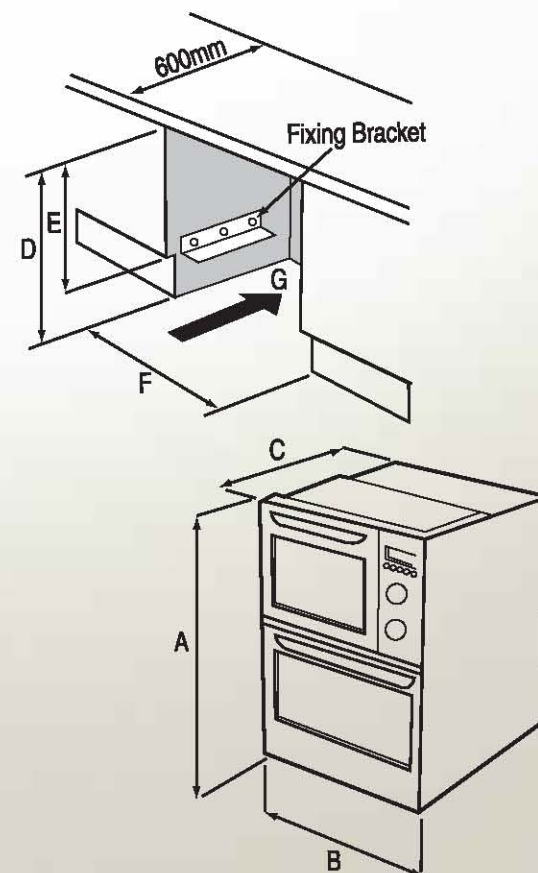
Single Ovens – see page 117 for product dimensions



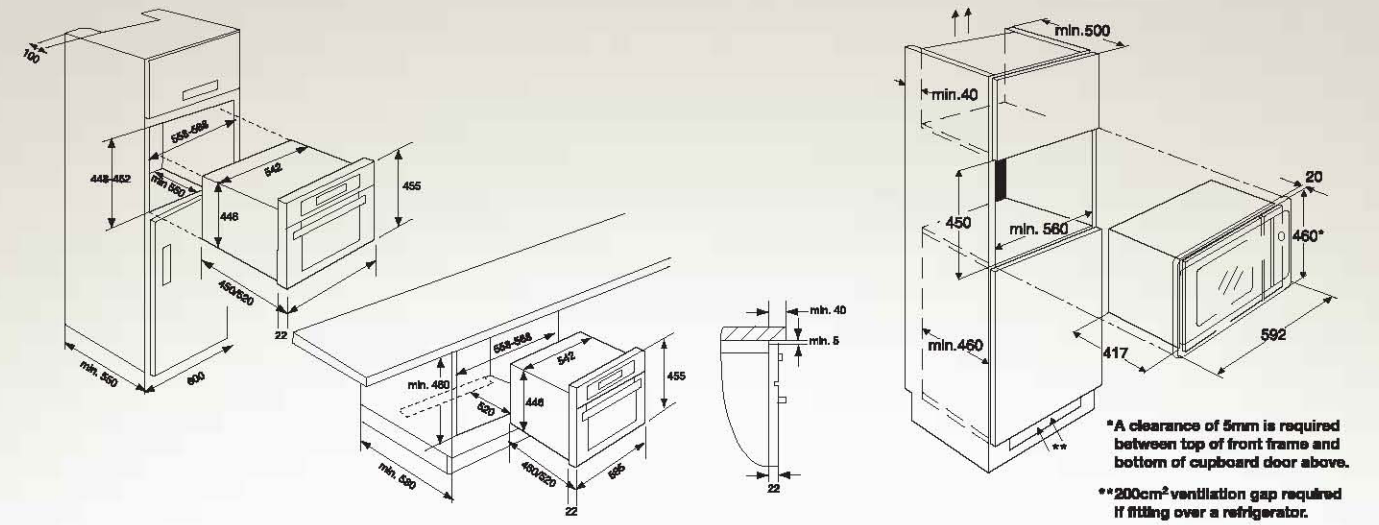
Double Ovens and Single Ovens with separate grill – see page 118 for product dimensions



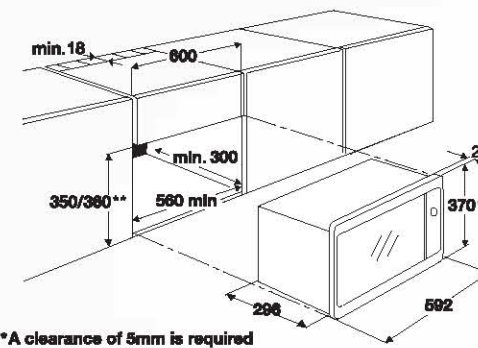
Built-Under Ovens – see page 118 for product dimensions



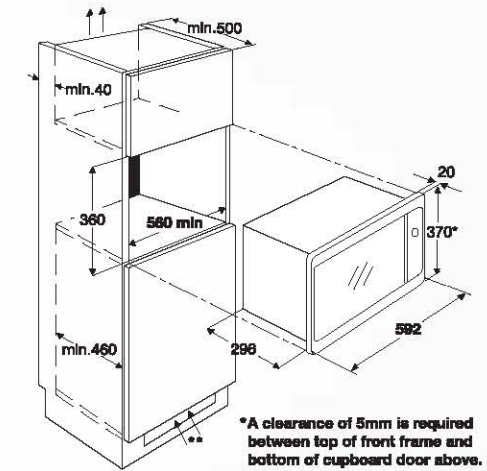
Microwaves – see page 119 for product dimensions



*A clearance of 5mm is required between top of front frame and bottom of cupboard door above.
**200cm² ventilation gap required if fitting over a refrigerator.

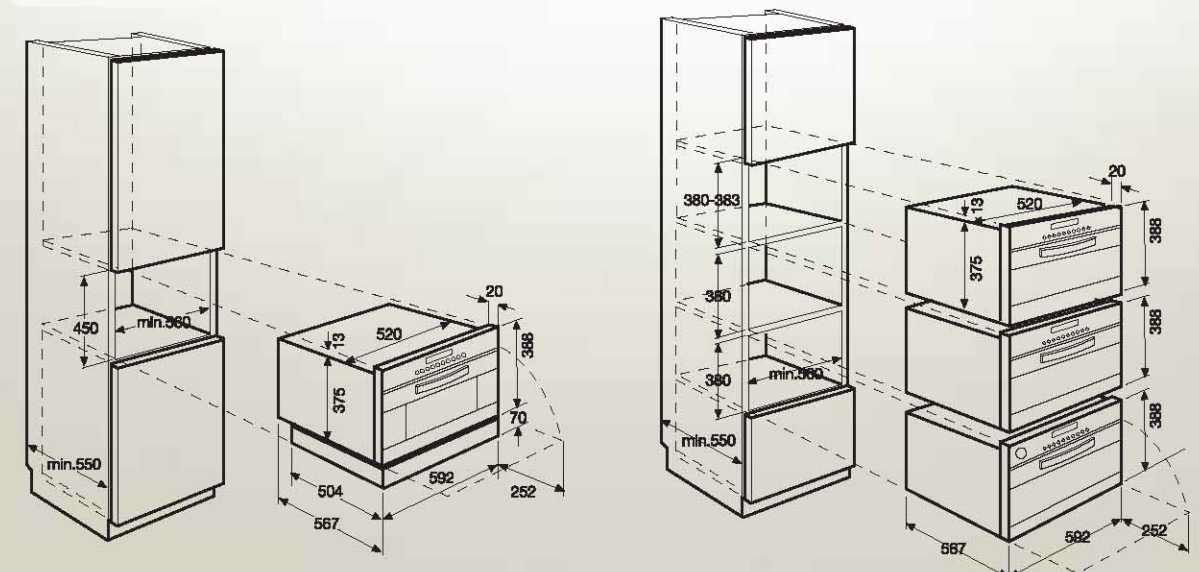


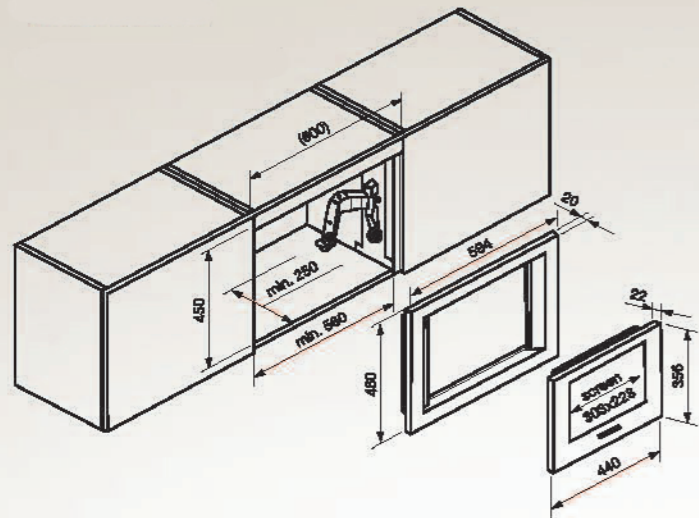
*A clearance of 5mm is required between top of front frame and bottom of cupboard door above.
**The 5mm overlap is achieved when using the 380mm "feet". To use the 380mm high niche, the feet must be changed as per the instruction book.



*A clearance of 5mm is required between top of front frame and bottom of cupboard door above.
**200cm² ventilation gap required if fitting over a refrigerator.

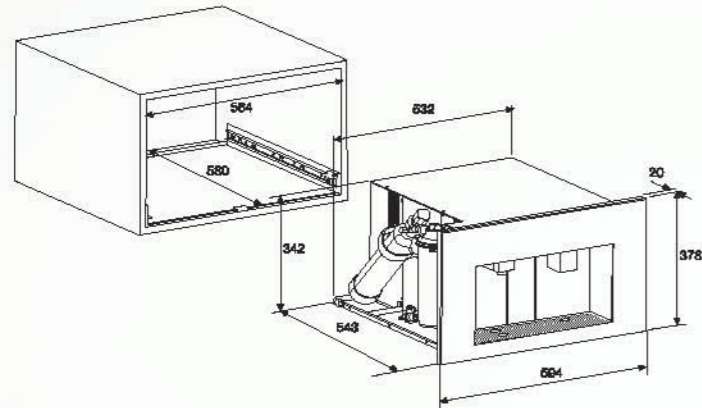
Compact ovens – see page 119 for product dimensions



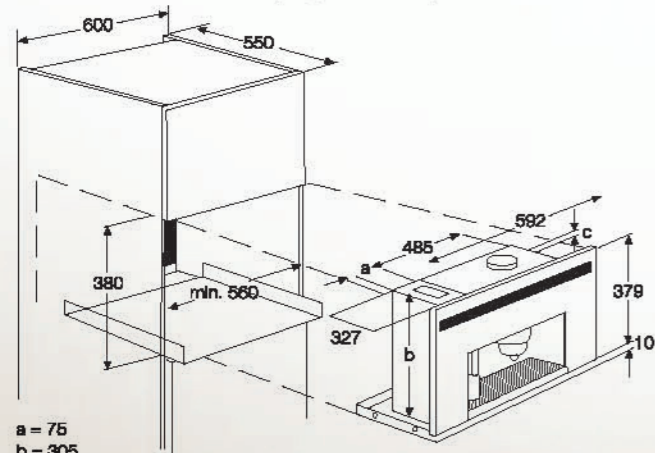


Refreshment centre – see page 92 for product dimensions

This appliance requires a water inlet and water outlet facility within 4 metres of the product.



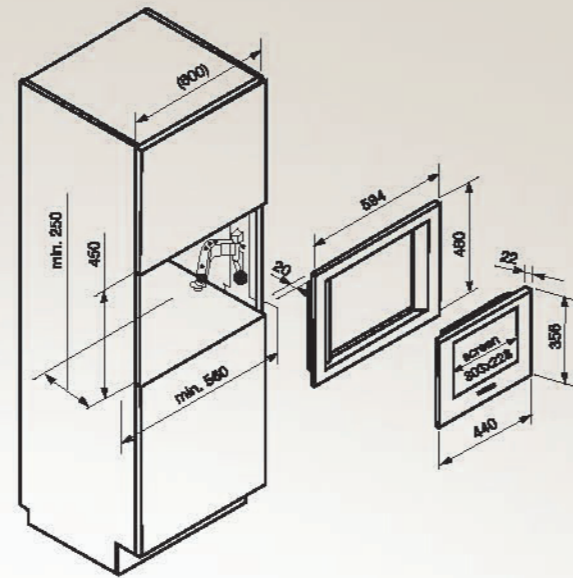
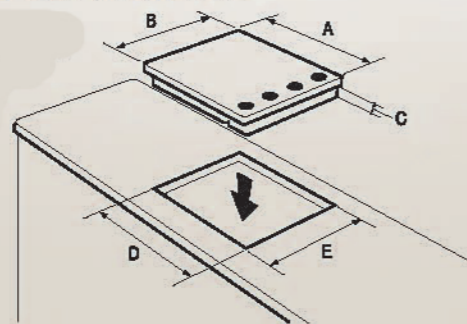
Coffee maker – see page 92 for product dimensions



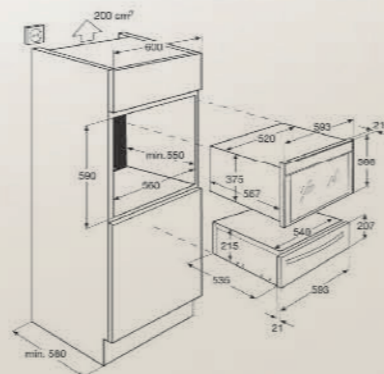
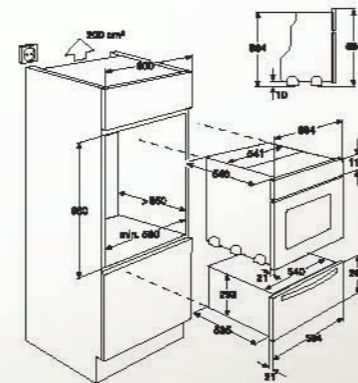
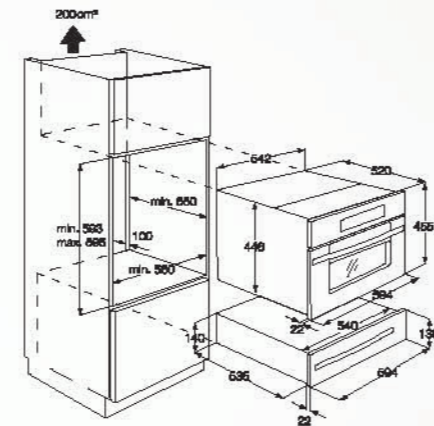
a = 75
b = 305
c = 15

Hobs – see pages 94-95 for product dimensions

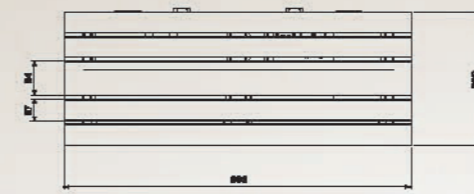
(Please refer to spec table for required aperture dimensions).



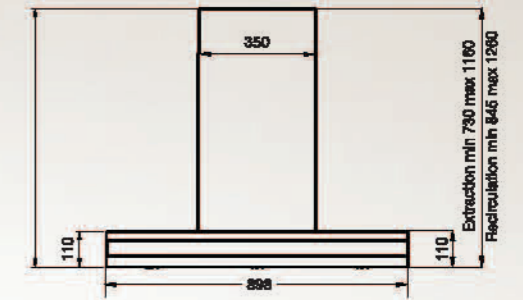
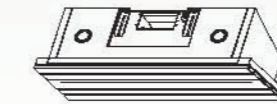
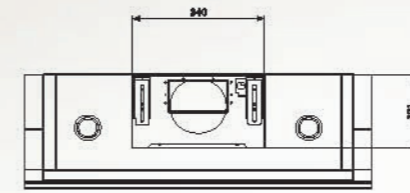
Warming drawers



Cooker hoods – see page 96-98 for product dimensions

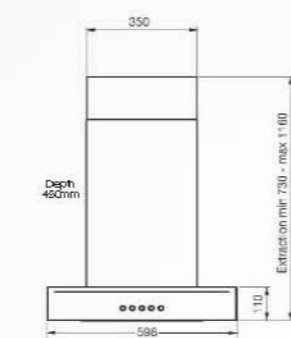


Minimum Safety Distance:
Electric: 450mm Gas: 650mm

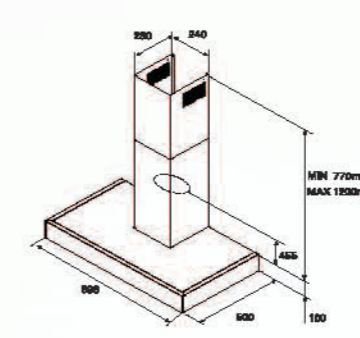


Depth 450mm

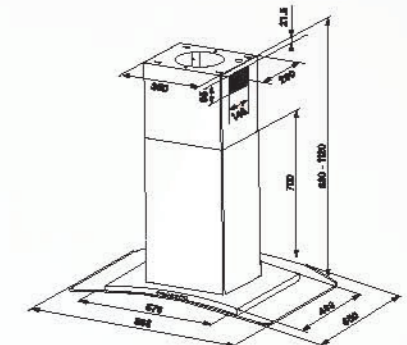
Minimum Safety Distance:
Electric: 500mm Gas: 650mm



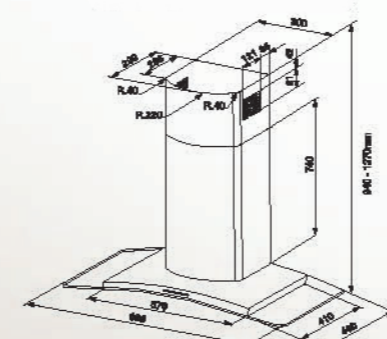
Minimum Safety Distance:
Electric: 500mm Gas: 650mm



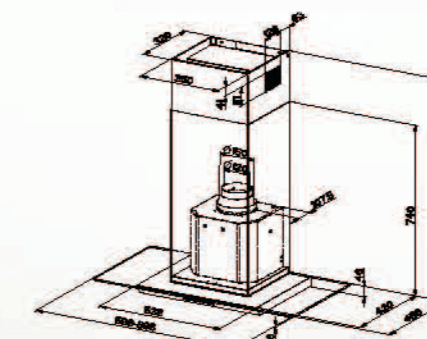
Minimum Safety Distance:
Electric: 500mm Gas: 650mm



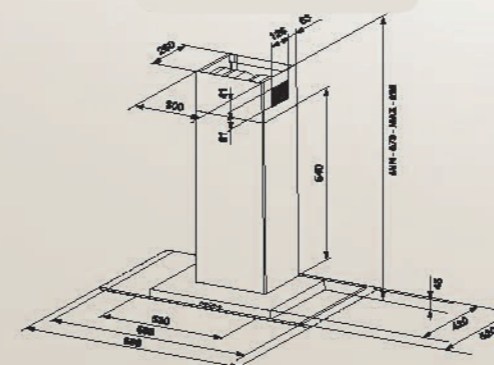
Minimum Safety Distance:
Electric: 650mm Gas: 650mm



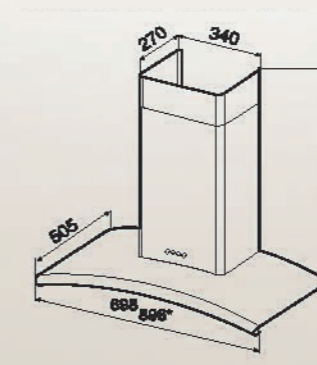
Minimum Safety Distance:
Electric: 650mm Gas: 650mm



Minimum Safety Distance:
Electric: 650mm Gas: 650mm

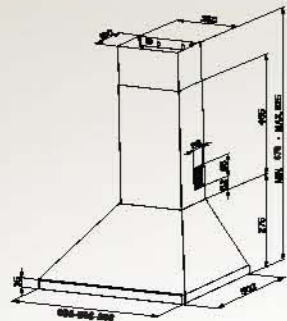


Minimum Safety Distance:
Electric: 650mm Gas: 650mm



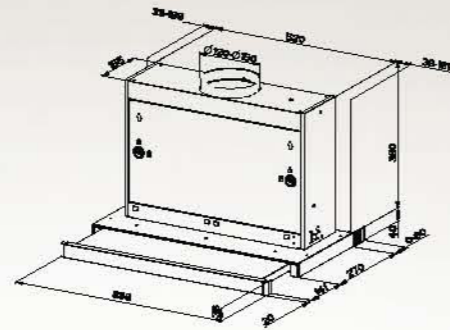
Minimum Safety Distance:
Electric: 600mm Gas: 700mm

Cooker hoods – see page 96-98 for product dimensions

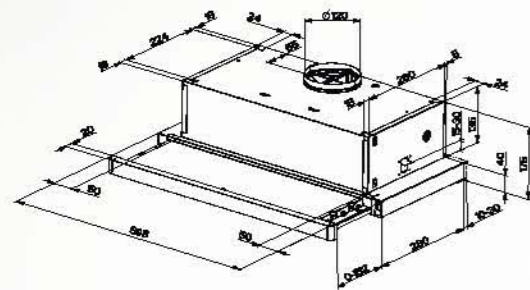


Minimum Safety Distance:
Electric: 650mm Gas: 650mm

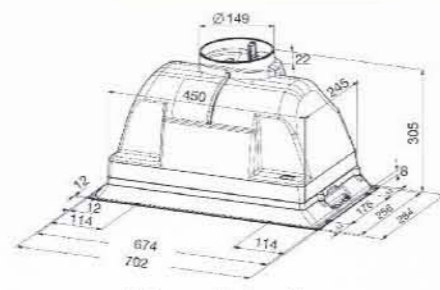
Model number: EFP60032



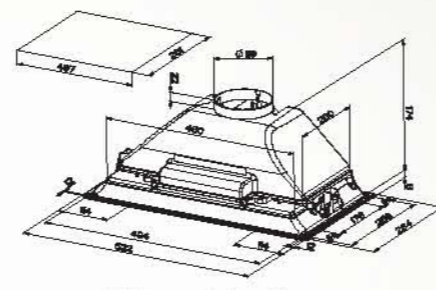
Minimum Safety Distance:
Electric: 650mm Gas: 650mm



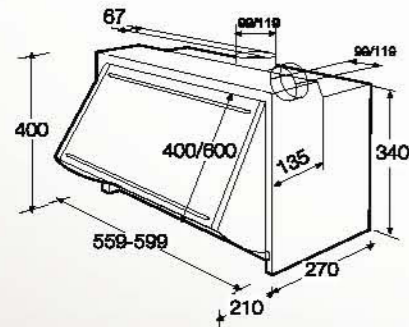
Minimum Safety Distance:
Electric: 500mm Gas: 650mm



Minimum Safety Distance:
Electric: 650mm Gas: 650mm

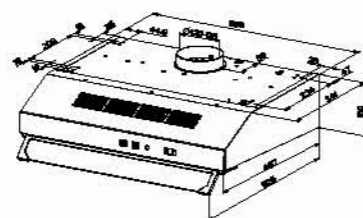


Minimum Safety Distance:
Electric: 650mm Gas: 650mm



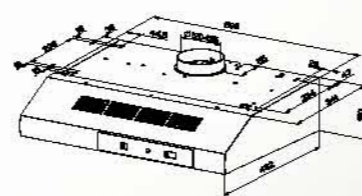
Minimum Safety Distance:
Electric: 500mm Gas: 700mm

Splashbacks EFB60, EFB90, EFB120

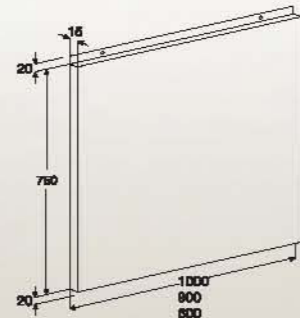
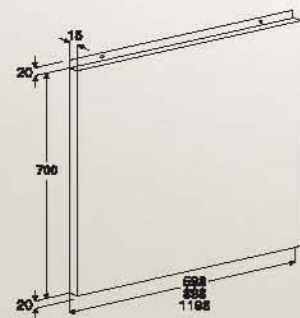


Minimum Safety Distance:
Electric: 650mm Gas: 650mm

Splashbacks EFB175, EFB975, EFB675



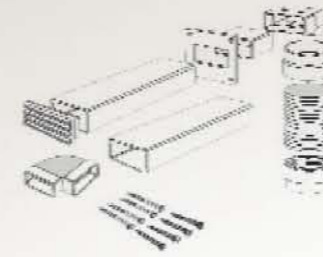
Minimum Safety Distance:
Electric: 650mm Gas: 650mm



Ducting Kits

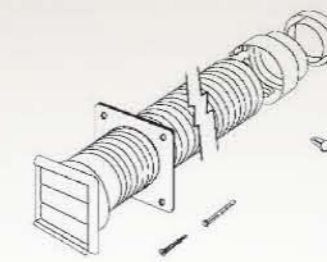
CDK5FR

120mm (5") diameter ducting kit for ducting of all hoods situated away from exterior wall. Up to 3 metres length. 100mm (4") reduction collar included. For use with Electrolux hoods.



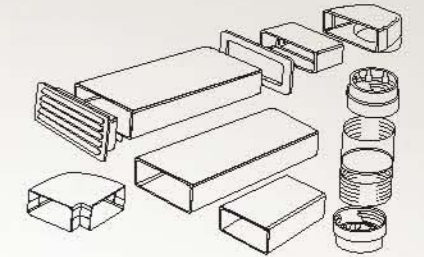
CDK6F

120mm (5") diameter flexible ducting kit. 100mm (4") reduction collar included. For use with all Electrolux hoods for ducting up to 1 metre.

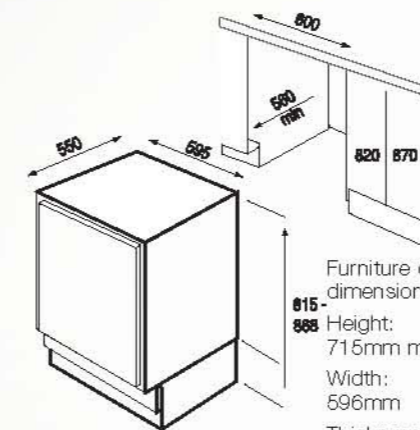


CDK6FR

150mm (6") diameter ducting kit for ducting of all hoods situated away from exterior wall. Up to 3 metres length. For use with Electrolux hoods.

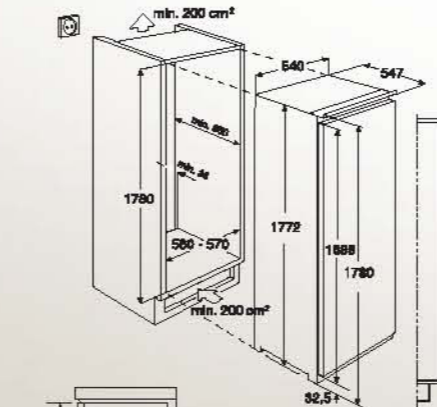


Cooling & Freezing – see pages 99-102 for product dimensions

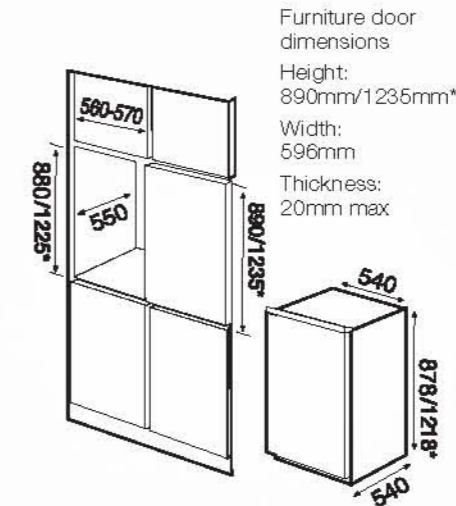


Furniture door dimensions
Height: 715mm min.
Width: 596mm
Thickness: 20mm max

Model numbers: ERN34800 EUF23800

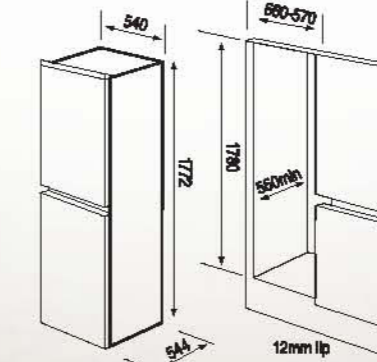


Furniture doors dimensions
Height: 1790mm
Width: 596mm
Thickness: 20mm max



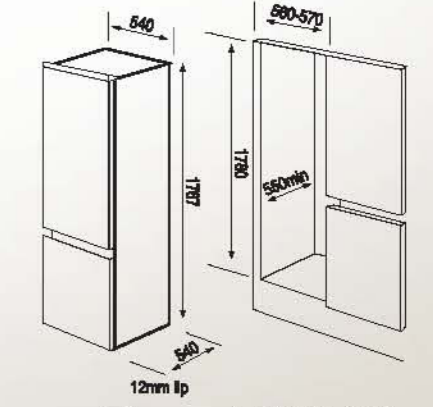
Furniture door dimensions
Height: 890mm/1235mm*
Width: 596mm
Thickness: 20mm max

Model numbers: ERN28600 ERN28700 ENN28600



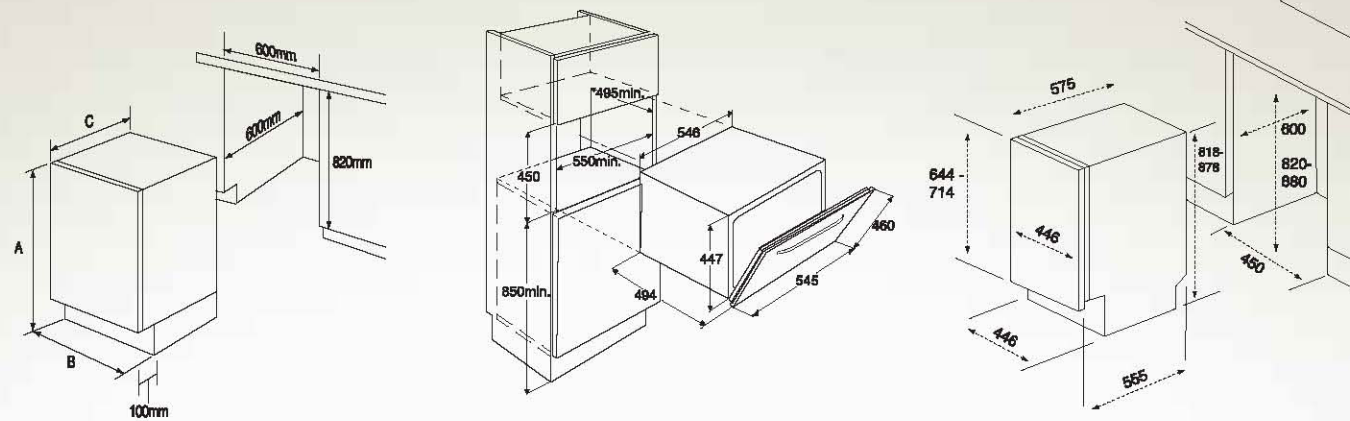
Furniture doors dimensions
Height (top door): 860mm
(bottom door): 900mm
Width: 596mm
Thickness: 20mm max

Model numbers: ERN29600 ENN28600

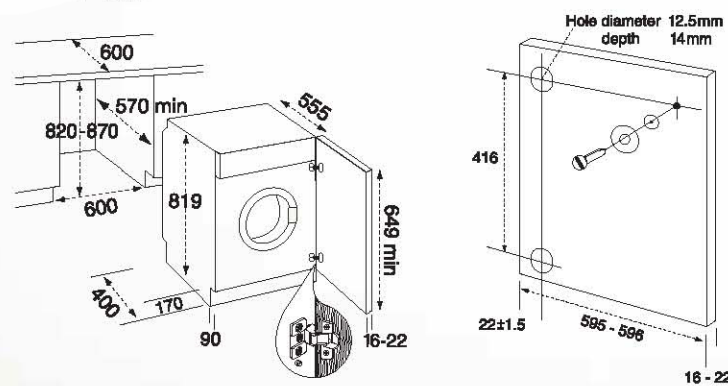


Furniture doors dimensions
Height (top door): 1085mm
(bottom door): 710mm
Width: 596mm
Thickness: 20mm max

Dishwashing – see page 103-104 for product dimensions



Laundry – see page 105 for product dimensions



EU Energy Efficiency Information

This scheme, which covers refrigerators, freezers, washing machines, tumble dryers, dishwashers and electric ovens is designed to offer consumers a standardised method of choosing the most energy efficient appliances.

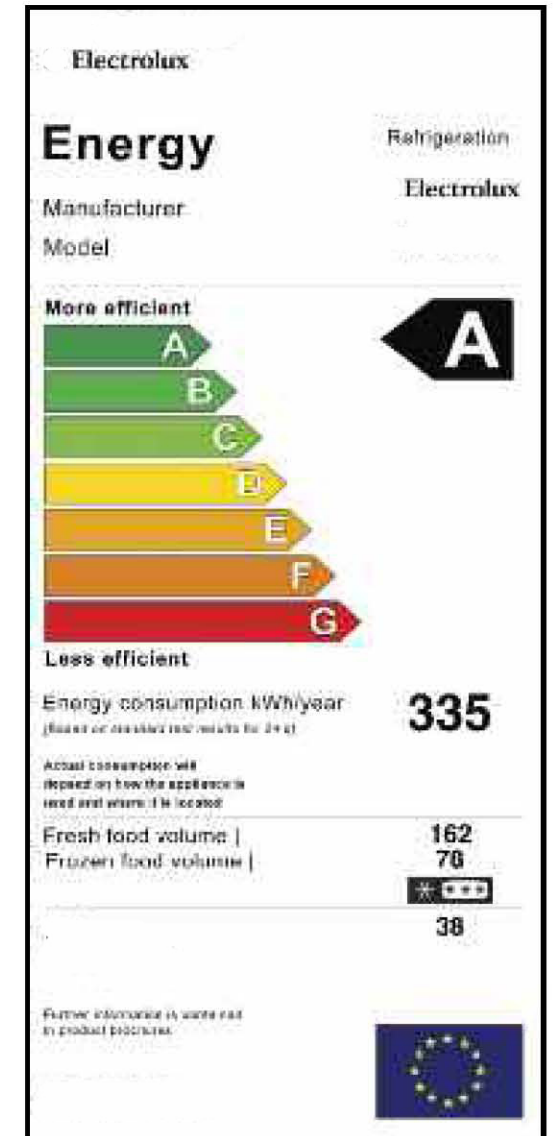
For refrigerators and freezers, as well as stating the Energy Efficiency Class ('A+' - most efficient, 'G' - least efficient) the label also gives the annual electricity consumption (i.e. running cost) and the usable storage capacity.

For washing machines the label also states the wash performance and spin efficiency. Three ratings are given to ensure energy efficiency combined with effective washing and drying. For dishwashers the label states energy efficiency, washing and drying performance.

For electric ovens the label also states the energy consumption (in kWh) and the usable volume of the oven. If the oven is a double oven it will carry this information for both ovens.



Many products in the Electrolux range are 'A' rated and endorsed by the Energy Savings Trust with an energy Efficiency Recommendation. The award by this independent body is made only to the most energy efficient appliances on the market.



ELECTROLUX

The Thoughtful Design Innovator.

Do you remember the last time you opened a gift that made you say "Oh! How did you know? That's exactly what I wanted!" That's the kind of feeling that the designers at Electrolux seek to evoke in everyone who chooses or uses one of our products. We devote time, knowledge, and a great deal of thought to anticipating and creating the kind of appliances that our customers really need and want.

This kind of thoughtful care means innovating with insight. Not design for design's sake, but design for the user's sake. For us, thoughtful design means making appliances easier to use and tasks more enjoyable to perform, freeing our customers to experience that ultimate 21st century luxury, ease of mind. Our aim is to make this ease of mind more available to more people in more parts of their everyday lives, all over the world. So when we say we're thinking of you, you know we mean just that.

Electrolux. Thinking of you.

Share more of our thinking at www.electrolux.com.mk