

E Exacta Series

Plunger piston pumps with mechanical return mechanism

Standards



ATEX
COMPLIANCE



seko

innovation > technology > future

API 675 Plunger Piston Pump Heads: Our Co



The plunger pumps of the **SEKO E Exacta Series** are the ideal choice for applications with harmless liquids. They are simple, easy to maintain, highly accurate and very reliable.

The plunger and packing are wetted by the medium. It is this very important to select suitable materials to ensure the best performances.

Should a special execution non-standard model be required, our experience of more than 40 years gives us the know-how to design a customized solution.

Mechanism EXACTA® E Exacta Series

The mechanisms of the **E Exacta Series** have been designed conforming to **API 675 Standards**. Three sizes of increasing power are available. Oil bath lubricated, very compact and rugged, designed for continuous and heavy-duty operations.

The stroke length is adjustable from zero to the maximum manually or, on request, by means of an electric servomotor or pneumatic positioner; the set adjustment can be read on a dial indicator. Multiheaded units can be assembled by combining mechanism of the same or different sizes. Gearboxes are available with different reduction ratios for an accurate selection of the performances.

Steady state accuracy, repeatability and linearity:

in accordance with API 675 standards.

Flexibility:

Assembling of mechanisms of the same or different sizes.

Drive

The standard execution includes the coupling to an electric motor at fixed or variable speed or flame proof execution.

Other options: NEMA Standards motors, D.C. motors, mechanical speed variators, frequency converters (VCD).

Stroke length adjustment

It operates at pump running or at rest and includes a blocking device suitable to fix the selected flow rate.

Manual adjustment:

The clockwise allows the continuous stroke adjustment with the pump running or at rest. A blockage system fixes the rated flowrate.

Actuator:

Control signal: IN/OUT signal 4÷20 mA.
Profibus® signal available.

It includes include few non common characteristics such as: stroke limiters, overload protection, feed back signal, position indicator, flame proof execution; any component to be installed inside the control panel.

Pneumatic positioners:

Control signal: 0,2÷1 bar (3÷15 p.s.i.)
Profibus® signal available.
Option: I/P converter from 4÷20 mA to 0,2÷1 bar (3÷15 p.s.i.)



Automatic adjustment



Pneumatic adjustment

Competitive Solution For Your Dosing Demands...

Types of pump head

Plunger heads with adjustable packing

The packings are designed with **PTFE "V" seals** (executions **STA, STB**) or with **Kevlar/PTFE square rings** (executions **SBB, SBF**) for high pressure. Moreover, the packing can be completed with a lantern ring that allows:

- an hydraulic barrier to insulate liquefied gases from the ambient;
- a method of piping the leakage away to a safe area;
- injecting a lubricant into the packing;
- flushing the plunger in order to dilute leakage and remove abrasive particles.

Plunger heads with automatic packing

They are employed with low pressure applications, the packing is made with elastomers such as **NBR or FPM**.

Double acting piston pump head

This feature provides twice the output flow for the same horsepower input and minimises the typical pulsating output flow, typical of reciprocating.

Valves

Check valves are an important component of the pumphead, as the precision of a pump depends on their efficiency. There are different types of valves to be selected to meet the characteristics of the medium and the required performance; for high pressure or very low flow rates, double valves are used.

Ball valves

The most popular check valve is the ball valve, its popularity is given by its availability in many kinds of materials: steel, ceramic, glass, elastomers. They allow a very low wearing and the suitability to very abrasive medium pump.

Wing valves

Wing valves find their ideal application with clean liquids and where high accuracy and high pressure are required.

Disc valves

The disc valve, mostly used with high flow rate pumps, has a wide seat opening to allow the passage of the maximum amount of liquid with the minimum opening.

Accessories for the correct installation

The trouble-free operation of a pump depends mainly by an installation studied for the required duty; the choice of the suitable accessories and their sizing are very important to fit the pump in a functional system.



Heating Jacket



Duplex pump



Double acting pump head



Dosing group, 11 heads, 35 kw



Adjustable back pressure valves, Back pressure and valves, Pulsation dampers, Calibration pots.

E1R Exacta Series

Model	50 Hz			60 Hz			E1R			
	Strokes /min.	Max. Flow Rate		Strokes /min.	Max. Flow Rate		Max. Pressure		Electric motor	Suc/Dis Connec
		l/h	gph		l/h	gph	bar	p.s.i.		
E1R 4	59	0,6	0,16	71	0,7	0,19	200	2900	0,55	*1/4" M
	59	1,5	0,40	71	1,8	0,48	200	2900	0,55	1/4" M
E1R 6	74	2,0	0,53	89	2,4	0,63	200	2900	0,55	1/4" M
	93	2,5	0,66	112	3,0	0,79	200	2900	0,55	1/4" M
	118	3,1	0,82	142	3,7	0,98	200	2900	0,75	1/4" M
	147	3,9	1,03	-	-	-	200	2900	0,75	1/4" M
E1R 8	74	3,5	0,93	89	4,2	1,1	200	2900	0,55	1/4" M
	93	4,4	1,2	112	5,3	1,4	200	2900	0,55	1/4" M
	118	5,5	1,5	142	6,6	1,7	200	2900	0,75	1/4" M
	147	7,0	1,9	-	-	-	200	2900	0,75	1/4" M
E1R 10	74	5,5	1,5	89	6,6	1,7	200	2900	0,55	1/4" M
	93	6,9	1,8	112	8,3	2,2	200	2900	0,55	1/4" M
	118	8,7	2,3	142	10,4	2,8	200	2900	0,75	1/4" M
	147	11	2,9	-	-	-	200	2900	0,75	1/4" M
E1R 12	74	8,5	2,2	89	10,2	2,7	200	2900	0,55	1/4" M
	93	11	2,9	112	13,2	3,5	200	2900	0,55	1/4" M
	118	13,5	3,6	142	16,6	4,3	200	2900	0,75	1/4" M
	147	17	4,5	-	-	-	200	2900	0,75	1/4" M
E1R 15	74	14	3,7	89	16,8	4,4	200	2900	0,55	1/4" F
	93	17,3	4,6	112	20,8	5,5	200	2900	0,55	1/4" F
	118	22	5,8	142	26,4	7,0	200	2900	0,75	1/4" F
	147	28	7,4	-	-	-	200	2900	1,1	1/4" F
E1R 25	59	32	8,5	71	38	10,2	162	2349	0,75	3/8" F
	74	40	10,6	89	48	12,7	162	2349	0,75	3/8" F
	93	50	13,2	112	60	15,9	160	2320	1,1	3/8" F
	118	64	16,9	142	77	20,3	161	2335	1,5	3/8" F
E1R 35	147	80	21,2	-	-	-	161	2335	1,5	3/8" F
	74	80	21,2	89	96	25,4	83	1204	1,1	3/8" F
	93	100	26,5	112	120	31,7	83	1204	1,1	3/8" F
	118	127	33,6	-	-	-	83	1204	1,5	3/8" F
E1R 50	59	130	34,4	71	156	41,3	40	580	0,75	1/2" F
	74	164	43,4	89	197	52,1	40	580	0,75	1/2" F
	93	206	54,5	112	247	65,4	41	595	1,1	1/2" F
	118	262	69,3	-	-	-	41	595	1,5	1/2" F
E1R 60	74	227	60,1	89	272	72,1	28	406	0,75	1/2" F
	93	288	76,2	112	346	91,4	28	406	1,1	1/2" F
	118	360	95,2	-	-	-	26	337	1,1	1/2" F
	74	324	85,7	89	389	102,9	20	290	0,75	1/2" F
E1R 70	93	407	107,7	112	488	129,2	20	290	1,1	1/2" F
	118	517	136,8	-	-	-	20	290	1,5	1/2" F
	74	480	127,0	89	576	152,4	14	203	0,75	3/4" F
	93	603	159,5	112	724	191,4	14	203	1,1	3/4" F
E1R 85	118	766	202,6	-	-	-	14	203	1,5	3/4" F
	74	665	176	89	789	211	10	145	0,75	1" F
	93	835	221	112	1002	265	10	145	1,1	1" F
	118	1060	280	-	-	-	10	145	1,5	1" F
E1R 100	74	957	253	89	1148	304	7	102	1,1	1" F
	93	1203	318	112	1444	382	7	102	1,1	1" F
	118	1526	404	-	-	-	7	102	1,5	1" F
	74	957	253	89	1148	304	7	102	1,1	1" F



Versions available:
Standard (E1R) and High Pressure (E1RHP)

Technical Features

Flow Rate	Standard (E1R) from 0,6 to 1526 l/h (0,19 to 382 gph) High Pressure (E1RHP) from 1 to 323 l/h (0,32 to 78,1 gph)
Pressure	Standard (E1R) from 200 to 7 bar (2900 to 102 p.s.i.) High Pressure (E1RHP) from 800 to 240 bar (11600 to 3480 p.s.i.)
Stroke rate	59 • 74 • 93 • 118 • 147 stokes/min. (50Hz)
Piston diameter	from 4 to 120 mm
Motor Powers	0,55(D) • 0,75(E) • 1,1(F) • 1,5(G) kW

Model number (Key to symbols)

E1R	Pump model
120	Piston diameter
S	Pump head S=316L
B	Packing: (T) PTFE • (N) NBR • (V) FPM (B) Square rings • (H) High Pressure
A	(A) Single Valves • (B) Double Valves (F) Wing Valves
24	Reduction ratio (15 • 19 • 24)
4	Motor Poles (2 • 4)
G	Motor Power

Version Contact parts materials

Type	Bar max	Pump head	Plunger	Packing	Valves	Seats
STA	40	316L	316L	PTFE	316L	316L
STB	80	316L	316L	PTFE	316L	316L
SBB	200	316L	316L hardened	PTFE	316L	316L
SBF	450	316L		KEVLAR	316L	316L
SHF	800	316L		high pres.	316L	316L
SNA	Low pressure	316L	316L	NBR	316L	316L
SVA		316L	316L	FPM	316L	316L
ESP	Special executions					

E1RHP										
E1RHP 6	59	1,0	0,26	71	1,2	0,32	800	11600	0,55	1/4" M
	74	1,4	0,37	89	1,7	0,44	800	11600	0,55	1/4" M
	93	1,7	0,45	112	2,0	0,54	800	11600	0,55	1/4" M
	118	2,1	0,56	142	2,5	0,67	800	11600	0,75	1/4" M
E1RHP 8	147	2,7	0,71	-	-	-	800	11600	0,75	1/4" M
	74	2,5	0,66	89	3,0	0,8	800	11600	0,55	1/4" M
	93	3,0	0,8	112	3,6	1,0	800	11600	0,55	1/4" M
	118	3,8	1,0	142	4,6	1,2	800	11600	0,75	1/4" M
E1RHP 10	147	5,0	1,3	-	-	-	800	11600	0,75	1/4" M
	74	3,9	1,0	89	4,7	1,2	750	10875	0,55	1/4" M
	93	5,6	1,5	112	6,7	1,8	580	8410	0,55	1/4" M
	118	6,8	1,8	142	8,2	2,2	630	9135	0,75	1/4" M
E1RHP 12	147	9,3	2,5	-	-	-	500	7250	0,75	1/4" M
	74	5,9	1,6	89	7,1	1,9	700	10150	1,1	1/4" M
	93	7,5	2,0	112	9,0	2,4	700	10150	1,1	1/4" M
	118	9,4	2,5	142	11,3	3,0	700	10150	1,5	1/4" M
E1RHP 15	147	12,4	3,3	-	-	-	640	9280	1,5	1/4" M
	74	11	2,9	89	13,2	3,5	440	6380	1,1	1/4" M
	93	14	3,7	112	16,8	4,4	420	6090	1,1	1/4" M
	118	17,2	4,6	142	20,6	5,5	450	6525	1,5	1/4" M
147	22	5,8	-	-	-	440	6380	1,5	1/4" M	

* Ceramic ball valves, energized packing not adjustable

E2 Exacta Series

Model	50 Hz						60 Hz				E2	
	Strokes /min.	Max. Flow Rate		Strokes /min.	Max. Flow Rate		Max. Pressure		Electric motor	Suc/Dis Connec		
		l/h	gph		l/h	gph	bar	p.s.i.			kW	Ø BSP
E2 15	70	18	4,8	84	21,6	5,7	200	2900	0,55	1/2"		
	93	24	6,3	112	28,8	7,6	200	2900	0,55	1/2"		
	122	31	8,2	146	37,2	9,8	200	2900	0,75	1/2"		
	140	35	9,3	-	-	-	200	2900	0,75	1/2"		
E2 25	70	56	14,8	84	67	17,8	193	2799	1,1	1/2"		
	93	75	19,8	112	90	23,8	153	2219	1,1	1/2"		
	122	100	26,5	-	-	-	175	2538	1,5	1/2"		
E2 35	70	112	29,6	84	134	35,6	98	1421	1,1	1/2"		
	93	150	39,7	112	180	47,6	80	1160	1,1	1/2"		
	122	198	52,4	-	-	-	88	1276	1,5	1/2"		
	140	233	61,6	84	280	74,0	48	696	1,1	3/4"		
E2 50	93	310	82,0	112	372	98,4	38	551	1,1	3/4"		
	122	407	107,7	-	-	-	43	624	1,5	3/4"		
	140	460	121,7	84	552	146,0	24	348	1,1	3/4"		
E2 70	93	611	161,6	112	733	194,0	19	276	1,1	3/4"		
	122	802	212,2	-	-	-	22	319	1,5	3/4"		
	140	679	179,6	84	815	215,6	16	232	1,1	1"		
E2 85	93	901	238,4	112	1081	286,0	13	189	1,1	1"		
	122	1182	312,7	-	-	-	15	218	1,5	1"		
	140	942	249,2	84	1130	299,0	12	174	1,1	1"		
E2 100	93	1253	331,5	112	1504	397,8	9	131	1,1	1"		
	122	1643	434,7	-	-	-	11	160	1,5	1"		
	140	1360	360	84	1632	432	8	116	1,1	1 1/4"		
E2 120	93	1805	478	112	2166	573	6	87	1,1	1 1/4"		
	140	1858	492	84	2230	590	6	87	1,1	1 1/4"		
E2 140	93	2470	653	112	2964	784	5	73	1,1	1 1/4"		
	140	2470	653	112	2964	784	5	73	1,1	1 1/4"		
E2DE												
E2DE 50	70	407	108	84	488	129	32	464	0,75	3/4"		
	93	542	143	112	650	172	28	406	0,75	3/4"		
	122	711	188	-	-	-	32	464	1,1	3/4"		
E2DE 70	70	861	228	84	1033	273	19	276	0,75	1"		
	93	1144	303	112	1373	363	14	203	0,75	1"		
	122	1501	397	-	-	-	16	232	1,1	1"		
E2DE 100	70	1744	461	84	2093	554	9	131	0,75	1"		
	93	2317	613	112	2780	736	7	102	0,75	1"		
	122	3040	804	-	-	-	8	116	1,1	1"		
E2DE 140	70	3565	943	84	4278	1132	5	73	0,75	1 1/4"		
	93	4737	1253	112	5684	1504	3,5	51	0,75	1 1/4"		
E2DE 200	70	7435	1967	84	8922	2360	2	29	0,75	1 1/2"		
	93	9880	2614	112	11856	3137	2,5	36,25	1,1	1 1/2"		
E2HP												
E2HP 15	70	18	4,8	84	21,6	5,7	350	5075	0,75	1/2"		
	93	24	6,3	112	28,8	7,6	350	5075	1,1	1/2"		
	122	31	8,2	146	37,2	9,8	310	4495	1,1	1/2"		
	140	35	9,3	-	-	-	300	4350	1,1	1/2"		



Versions available:
Standard (E2 & E2DE) and High Pressure (E2HP)

Technical Features	
Flow Rate	Standard (E2 & E2DE) from 18 to 9880 l/h (5,7 to 3137 gph) High Pressure (E2HP) from 1 to 323 l/h (0,32 to 78,1 gph)
Pressure	Standard (E2 & E2DE) from 350 to 2 bar (5075 to 29 p.s.i.) High Pressure (E2HP) from 800 to 240 bar (11600 to 3480 p.s.i.)
Stroke rate	70 • 93 • 122 • 140 stokes/min. (50Hz)
Piston diameter	from 15 to 200 mm
Motor Powers	0,55(D) • 0,75(E) • 1,1(F) • 1,5(G) kW

Model number (Key to symbols)	
E2	Pump model
200	Piston diameter
S	Pump head S=316L
B	Packing: (T) PTFE • (N) NBR • (V) FPM (B) Square rings • (H) High Pressure
A	(A) Single Valves • (B) Double Valves (F) Wing Valves
24	Reduction ratio (15 • 19 • 24)
4	Motor Poles (2 • 4)
G	Motor Power

The shown pressures refer to rated values.
Available motors (0,55 - 0,75 - 1,1 e 1,5 kW).
For further details please contact our offices.

Version		Contact parts materials				
Type	Bar max	Pump head	Plunger	Packing	Valves	Seats
STA	40	316L	316L	PTFE	316L	316L
STB	80	316L	316L	PTFE	316L	316L
SBB	200	316L	316L hardened	PTFE	316L	316L
SBF	450	316L		KEVLAR	316L	316L
SHF	800	316L		high pres.	316L	316L
SNA	Low pressure	316L	316L	NBR	316L	316L
SVA		316L	316L	FPM	316L	316L
ESP	Special executions					

E3 Exacta Series

Model	50 Hz			60 Hz			E3			
	Strokes /min.	Max. Flow Rate		Strokes /min.	Max. Flow Rate		Max. Pressure		Electric motor kW	Suc/Dis Connec Ø BSP
		l/h	gph		l/h	gph	bar	p.s.i.		
E3 15	70	30	8	84	36	9,5	200	2900	2,2	1/2"
	93	39	10	112	47	12,4	200	2900	2,2	1/2"
	122	51	13	-	-	-	200	2900	3	1/2"
E3 25	70	93	25	84	112	29,5	200	2900	2,2	1/2"
	93	123	33	112	39,0	112	200	2900	3	1/2"
	122	162	43	-	-	-	200	2900	4	1/2"
E3 35	70	185	49	84	222	58,7	200	2900	5,5	1/2"
	93	246	65	112	295	78,1	200	2900	5,5	1/2"
	122	323	85	-	-	-	200	2900	7,5	1/2"
E3 50	70	387	102	84	464	123	117	1697	7,5	3/4"
	93	514	136	112	617	163	114	1653	7,5	3/4"
	122	675	179	-	-	-	115	1668	9,2	3/4"
E3 60	70	537	142	84	644	170	81	1175	5,5	1"
	93	719	190	112	863	228	81	1175	7,5	1"
	122	940	249	-	-	-	81	1175	9,2	1"
E3 70	70	766	203	84	919	243	59	856	7,5	1"
	93	1018	269	112	1222	323	59	856	9,2	1"
	122	1335	353	-	-	-	55	798	9,2	1"
E3 85	70	1136	301	84	1363	361	40	580	7,5	1 1/4"
	93	1509	399	112	1811	479	39	566	7,5	1 1/4"
	118	1980	524	-	-	-	37	537	9,2	1 1/4"
E3 100	70	1648	436	84	1978	523	29	421	7,5	1 1/4"
	93	2190	579	112	2628	695	28	406	7,5	1 1/4"
	122	2873	752	-	-	-	27	392	9,2	1 1/4"
E3 120	70	2268	600	84	2722	720	20	290	7,5	1 1/2"
	93	3014	797	112	3617	957	19	276	7,5	1 1/2"
	122	3960	1048	-	-	-	18	261	9,2	1 1/2"
E3 140	70	3091	818	84	3709	981	15	218	7,5	1 1/2"
	93	4107	1087	-	-	-	14	203	7,5	1 1/2"



Versions available:
Standard (E3 & E3DE) and High Pressure (E3HP)

Technical Features	
Flow Rate	Standard (E3 & E3DE) from 30 to 16569 l/h (9,5 to 3959 gph) High Pressure (E3HP) from 1 to 323 l/h (0,32 to 78,1 gph)
Pressure	Standard (E3 & E3DE) from 200 to 6 bar (2900 to 87 p.s.i.) High Pressure (E3HP) from 800 to 240 bar (11600 to 3480 p.s.i.)
Stroke rate	70 • 93 • 122 stokes/min. (50Hz)
Piston diameter	from 15 to 200 mm
Motor Powers	2,2(H) • 3(I) • 4(J) • 5,5(K) • 7,5(K) • 9,2(N) kW

Model number		(Key to symbols)
E3	Pump model	
200	Piston diameter	
S	Pump head S=316L	
B	Packing: (T) PTFE • (N) NBR • (V) FPM (B) Square rings • (H) High Pressure	
A	(A) Single Valves • (B) Double Valves (F) Wing Valves	
24	Reduction ratio (15 • 19 • 24)	
4	Motor Poles (2 • 4)	
N	Motor Power	

E3DE										
E3DE 50	70	685	181	84	822	217	40	580	2,2	3/4"
	93	910	241	112	1092	289	40	580	2,2	3/4"
	122	1194	316	-	-	-	34	493	3	3/4"
E3DE 70	70	1445	382	84	1734	459	40	580	4	1"
	93	1913	506	112	2296	607	40	580	5,5	1"
	122	2520	667	-	-	-	40	580	7,5	1"
E3DE 100	70	2923	773	84	3508	928	28	406	5,5	1 1/4"
	93	3884	1028	112	4661	1233	24	348	5,5	1 1/4"
	122	5095	1348	-	-	-	24	348	7,5	1 1/4"
E3DE 140	70	5981	1582	84	7177	1899	14	203	5,5	1 1/2"
	93	7946	2102	-	-	-	14	203	7,5	1 1/2"
	93	12470	3299	84	14964	3959	7	102	5,5	2"
E3DE 200	70	16569	4383	-	-	-	7	102	7,5	2"

E3HP										
E3HP 15	70	30	8	84	36	9,5	450	6525	2,2	1/2"
	93	39	10	112	47	12,4	450	6525	2,2	1/2"
	122	51	13	-	-	-	450	6525	3	1/2"
E3HP 25	70	93	25	84	112	29,5	450	6525	5,5	1/2"
	93	123	33	112	148	39,0	450	6525	7,5	1/2"
	122	162	43	-	-	-	450	6525	9,2	1/2"
E3HP 35	70	185	49	84	222	58,7	240	3480	5,5	1/2"
	93	246	65	112	295	78,1	240	3480	7,5	1/2"
	122	323	85	-	-	-	240	3480	9,2	1/2"

The shown pressures refer to rated values.

Available motors
(2,2 - 3 - 4 - 5,5 - 7,5 e 9,2 kW).

For further details
please contact our offices.

Version		Contact parts materials				
Type	Bar max	Pump head	Plunger	Packing	Valves	Seats
STA	40	316L	316L	PTFE	316L	316L
STB	80	316L	316L	PTFE	316L	316L
SBB	200	316L	316L hardened	PTFE	316L	316L
SBF	450	316L		KEVLAR	316L	316L
SHF	800	316L		high pres.	316L	316L
SNA	Low pressure	316L	316L	NBR	316L	316L
SVA		316L	316L	FPM	316L	316L
ESP	Special executions					

Dimensional drawings and selection table

DIMENSIONS AND WEIGHT PUMPS WITHOUT MOTOR

Ø	mm			Kg
	E	G	H	
6	510	330	192	23
8	510	330	192	23
10	510	330	192	23
12	510	330	192	24
15	510	330	192	25
25	515	330	192	25
35	515	330	192	26
50	515	330	192	27
60	515	330	192	30
70	515	330	192	35
85	520	330	192	38
100	525	330	192	40
120	540	330	192	23
HP6	510	330	192	23
HP8	510	330	192	23
HP10	510	330	192	23
HP12	510	330	192	24
HP15	510	330	192	25

Ø	mm			Kg
	E	G	H	
15	630	350	232	52
25	650	350	232	52
35	700	350	232	53
50	700	350	232	64
70	700	350	232	55
85	700	350	232	64
100	700	350	232	69
120	700	350	232	69
140	700	350	232	73
DE50	800	350	192	70
DE70	850	350	232	75
DE100	850	350	232	80
DE140	900	350	232	90
DE200	900	350	232	105
HP15	630	350	232	55

Ø	mm			Kg
	E	G	H	
15	850	500	357	83
25	850	500	357	83
35	850	500	357	83
50	850	500	357	85
70	810	500	357	85
85	810	500	357	88
100	800	500	357	88
120	800	500	357	90
140	800	500	357	92
DE50	800	500	357	114
DE70	850	500	357	119
DE100	850	500	357	124
DE140	900	500	357	134
DE200	900	500	357	149
HP15	850	350	232	83
HP25	850	350	232	83
HP35	850	350	232	83

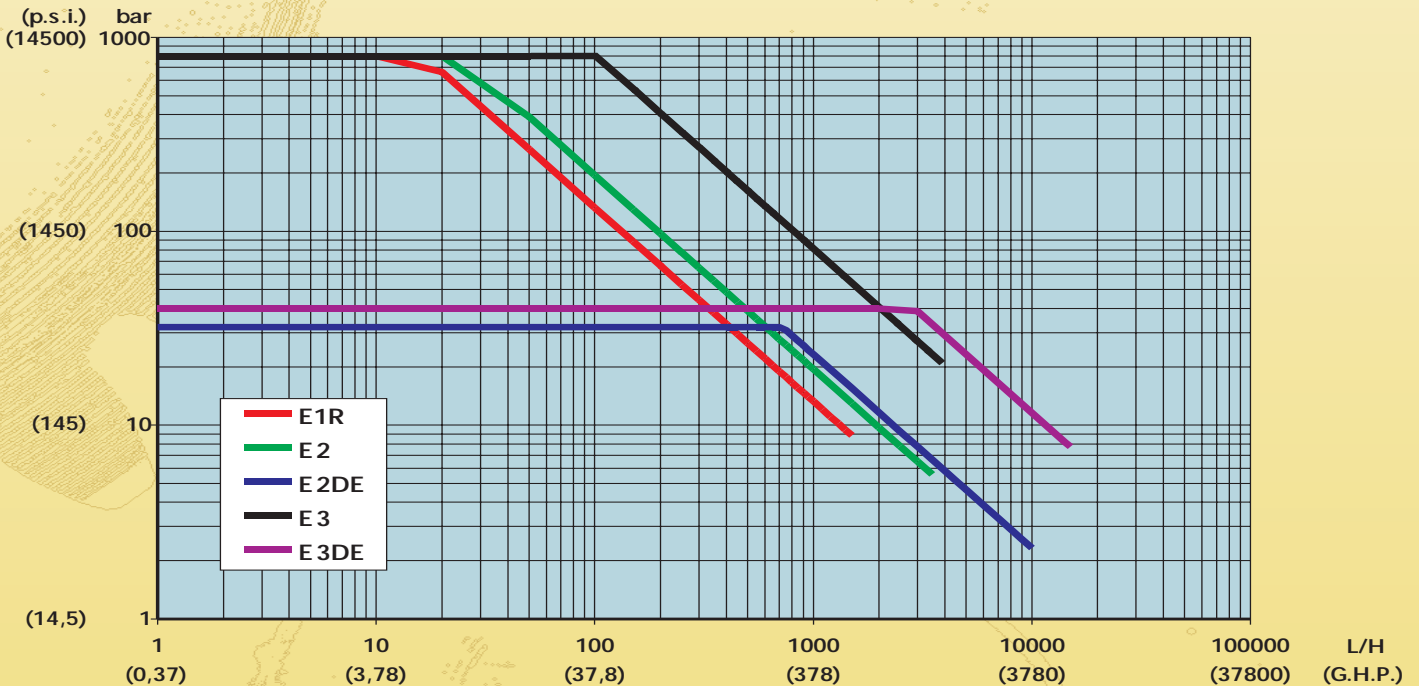
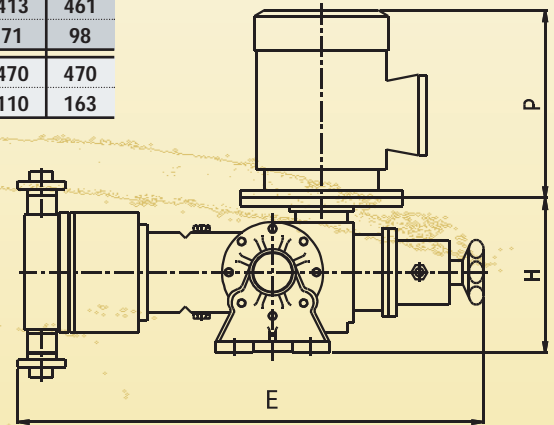
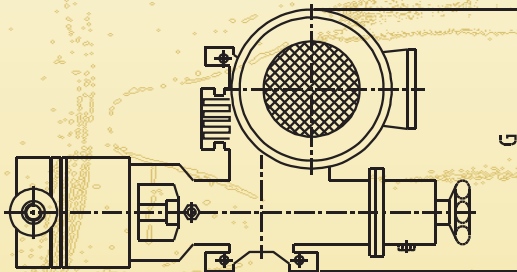
E1R

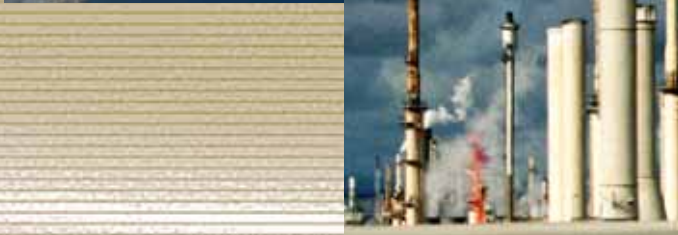
E2

E3

DIMENSIONS AND WEIGHT OF ELECTRIC MOTORS

Power kW		0,55	0,75	1,1	1,5	2,2	3	4	5,5	7,5	9,2
Standard	P mm	239	239	252	277	316	316	332	375	413	461
	Kg	12,5	14	18	21,5	30	32	42	59	71	98
Eexd	P mm	285	285	325	325	375	375	410	470	470	470
	Kg	22	24	29	31	42	45	70	101	110	163





SEKO do Brasil **BRAZIL** • SEKO China **CHINA** • SEKO France **FRANCE** • SEKO Deutschland **GERMANY** • SEKO Italia **ITALY**
 OOO SEKO **RUSSIA** • SEKO Asia Pacific **SINGAPORE**
 SEKO Southern Africa **SOUTH AFRICA** • SEKO Iberica **SPAIN**
 SEKO UK **UNITED KINGDOM** • SEKO Dosing Systems **USA**

