



# Електролукс Electrolux Bitola

## Sondi za Temperatura- Thermocouples and resistance sensors Contents

thermocouples and resistance sensors	
surface thermocouple type MT	page 5
thermocouples type TEF, resistance sensors type PWF	page 6-10
screw-in nipples	page 11
plug connections for TEF / PWF	page 12
flange sockets, cables	page 12
plug connections for temperature controllers	page 13
controller cart on castors	page 13
ceramic terminal connector	page 14
accessories for mounting	
connection boxes	page 14
"Isolitspray"	page 14
assembly kit, accessories for installation	page 15
cables, leads, protective sleeveings	page 16
accessories for High Watt Density Cartridge Heaters	
machine reamer	page 17
drill reamer, conical reamer	page 18
casting compound and binding agent	page 19
heat insulation plates, insulation tubes	page 19

Ovoј crtez e сопственост на Electrolux-Bitola. Bez negovo писмено одобрување истиот не смее да се препишува, умножува ниту копира без согласност од Electroluks во спротивно се носат последици во смисла на членовите 163 i 164 од кивичниот закон R.M. (повреда на авторско право)

Браќа Минџови бр.18, Ситара Царинија Биџола. Г.Т.Ц. Бунјаковец Скопје  
Тел/Факс: 047/203-900; 203-330; 070/237-108  
Тел/Факс: 02/329 8 130; 070/237 198

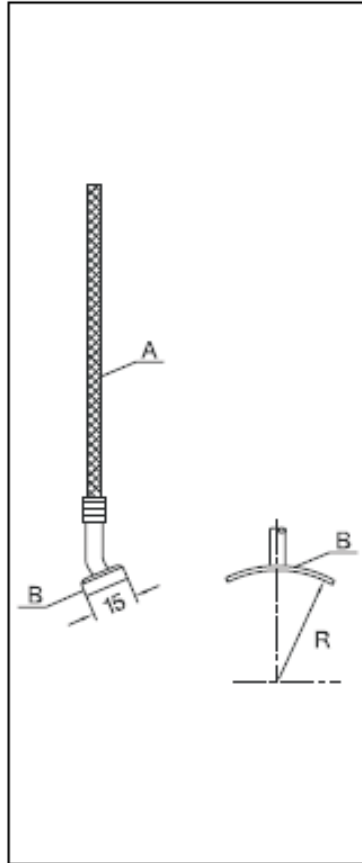
[www.elektroluks.com.mk](http://www.elektroluks.com.mk), [www.electrolux.com.mk](http://www.electrolux.com.mk), [electrolux@mt.net.mk](mailto:electrolux@mt.net.mk)

Electroluks is registered trademark of Elektroluks companies in Macedonia and other countries



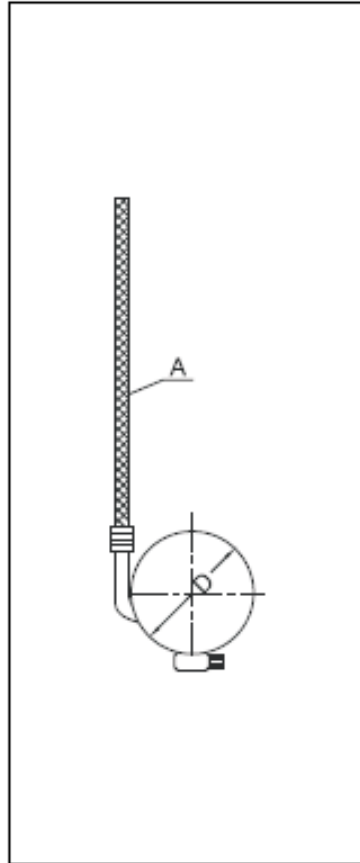
# Електролукс Electrolux Bitola

## Thermocouples (TEF), Resistance Sensors (PWF)



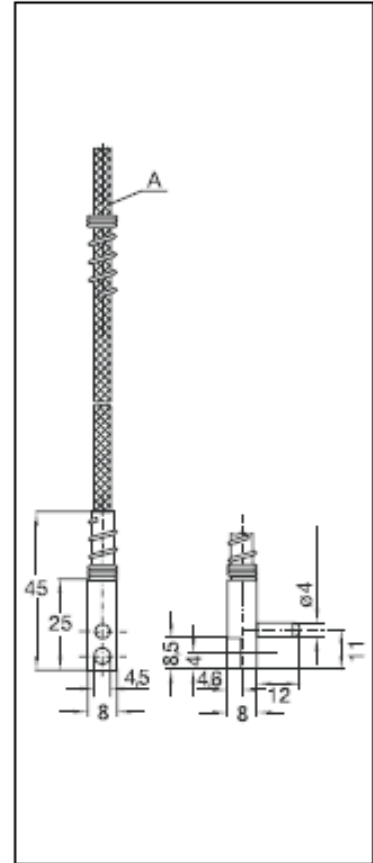
### TEF A Fe-CuNi

- $\varnothing$  6 mm
- with fixing plate (B) 15 x 30 mm, 0.30 mm thick, radius (R) can be chosen
- can be slipped under a heater band
- heater band should have a cut out of  $\varnothing$  6 x 6 mm on the edge or the clamping gap may be used if 6 mm wide
- compensation line (A) 2 x 1.0 mm<sup>2</sup>, 2000 mm long



### TEF Sp Fe-CuNi

- clamping band sensor
- band width of 9 mm for range of clamping diameters (D) as shown in the list below
  - sensor is fixed onto the cylinder, which has to be measured, like a wide clip
  - compensation line (A) 2 x 1.0 mm<sup>2</sup>, 2000 mm long
  - clamping diameters (D): 12-20 mm, 16-25 mm, 20-32 mm, 23-35 mm, 25-40 mm, 32-50 mm, 40-60 mm, 50-70 mm, 60-80 mm, 70-90 mm, 80-100 mm, 90-110 mm



### TEF 68 Fe-CuNi

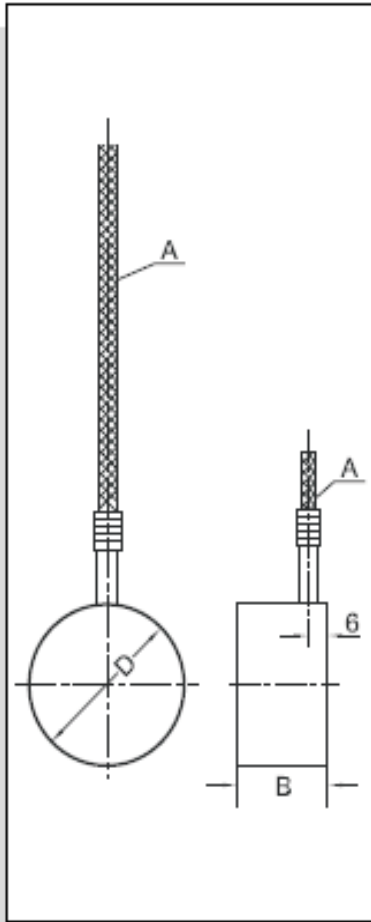
- small cylindrical sensor
- sensor tube  $\varnothing$  4 mm  $\pm$  0.03 mm, length 12 mm (standard, other lengths on request)
  - for installation with screw M 4
  - sensor protection tube from stainless steel (material-no. 1.4541)
  - compensation line (A) with braided metal sleeving 2 x 1.0 mm<sup>2</sup>, 2000 mm long

Ovo je crtež e sopstvenost na Electrolyuks-Bitola. Bez negovo pismeno odobruvanje istiot nesmee da se prepisuva, umnozuva niti kopira bez soglasnost od Electrolyuks vo sprotivno se snosat posledici vo smislana clenovite 163 i 164 od kriticniot zakon R.M. (povređa na avtorsko pravo)



# Електролукс Electrolux Bitola

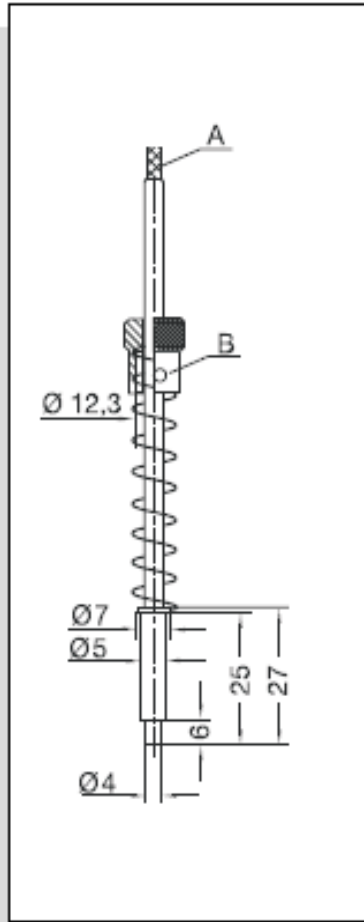
Thermocouples (TEF), Resistance Sensors (PWF)



## TEF 19 Fe-CuNi

- $\varnothing 6$  mm
- with brass heat conductor sheet
- 1 mm thick
- for placing underneath small heater bands
- the enlargement of the diameter opens the clamping gap of the heater band to incorporate the sensor
- compensation line (A)  $2 \times 1.0$  mm<sup>2</sup>, 2000 mm long

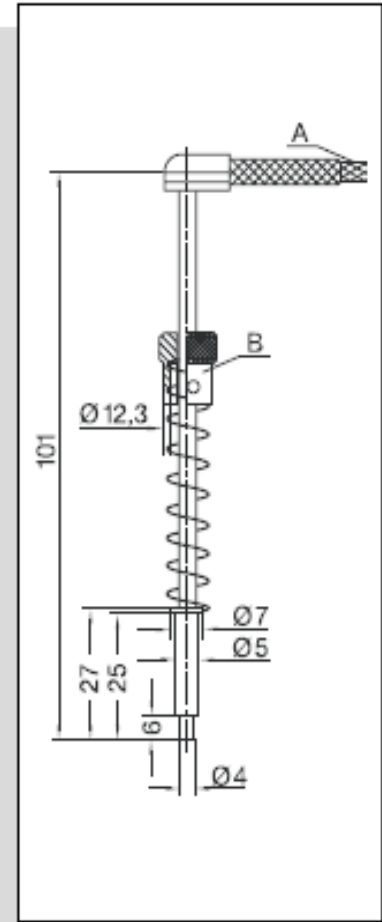
order information:  
please state diameter (D) and width of heater band (B).



## TEF 20, PWF 20

cylindrical sensor

- sensor tube  $\varnothing 5$  mm, length 19 mm; sensor plane  $\varnothing 4$  mm, length 6 mm
- bayonet-cap (B)  $\varnothing 12.3$  mm for variable installation length, for screw-in nipple type EN 20/21
- FeCu-Ni, NiCr-Ni
- PT 100 (PWF 20)
- compensation line (A)  $2 \times 1.0$  mm<sup>2</sup>, 2000 mm long



## TEF 21, PWF 21

- sensor exactly as TEF 20, but angled

Ovoј crtez e сопственост на Electroflux-Bitola. Bez negovo писмено одобрување истиот не смее да се препишува, умножува нити копира без согласност од Electroflux vo спротивно се снаоѓа последици во смисла на членовите 163 и 164 од кивичниот закон R.M. поврета на авторско право

Браќа Минѓови бр.18, Ситара Царинија Битола. Г.Т.Ц. Бунјаковец Скопје  
Тел/Факс: 047/203-900; 203-330; 070/237-108  
Тел/Факс: 02/329 8 130; 070/237 198

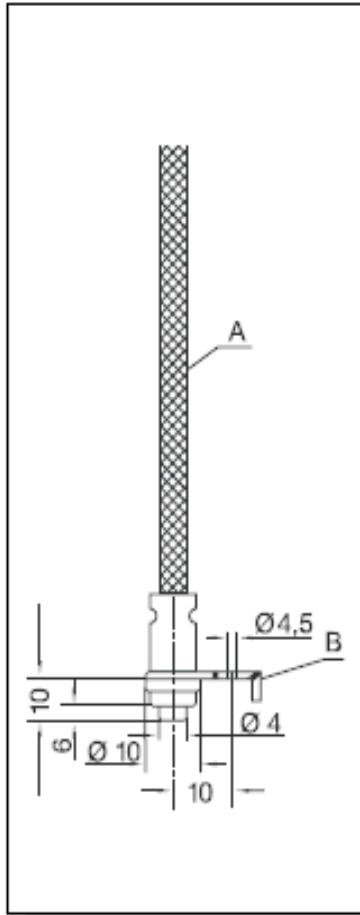
[www.elektroluks.com.mk](http://www.elektroluks.com.mk), [www.electrolux.com.mk](http://www.electrolux.com.mk), [electrolux@mt.net.mk](mailto:electrolux@mt.net.mk)

Electroluks is registered trademark of Elektroluks companies in Macedonia and other countries



# Електролукс Electrolux Bitola

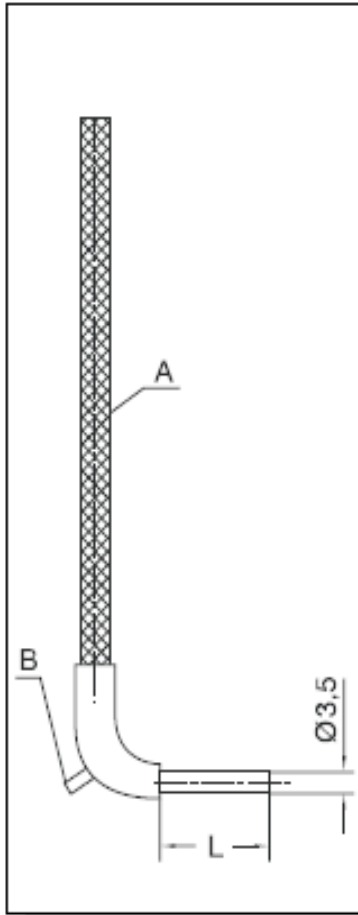
## Thermocouples (TEF), Resistance Sensors (PWF)



### TEF 14

surface sensor

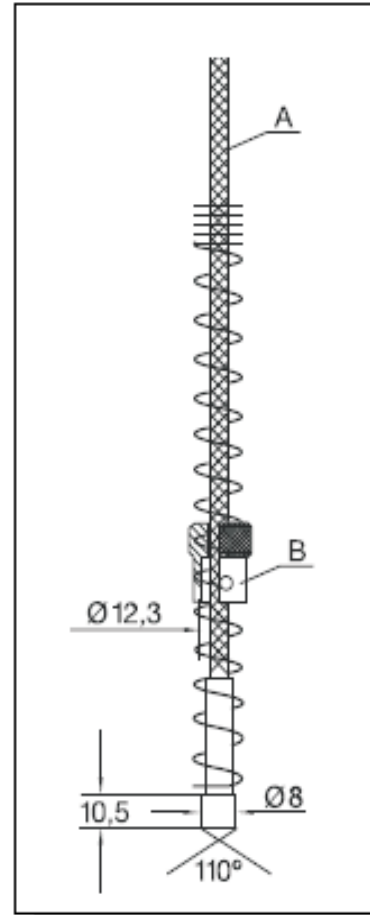
- sensor plane  $\varnothing$  10 mm
- with tab  $\varnothing$  4 mm, length 6 mm and fixing bracket (B) for installation with screw M 4
- FeCu-Ni, NiCr-Ni
- compensation line (A)  $2 \times 1.0 \text{ mm}^2$ , 2000 mm long



### TEF 15

plug sensor for bores of  $\varnothing$  3.6 mm

- sensor tube  $\varnothing$  3.5 mm
- sensor is fixed in the bore hole with a tension spring
- length (L) 20 mm or any other length on request
- FeCu-Ni, NiCr-Ni
- compensation line (A)  $2 \times 1.0 \text{ mm}^2$ , 2000 mm long
- B: tension spring



### TEF 16, PWF 16

- sensor tube  $\varnothing$  8 mm, length 10.5 mm
- with sensor tip  $110^\circ$
- fitting depth of bayonet-cap (B)  $\varnothing$  12.3 mm can be adjusted with screws on a 200 mm long compression spring
- FeCu-Ni, NiCr-Ni
- PT 100 (PWF 16)
- compensation line (A)  $2 \times 1.0 \text{ mm}^2$ , 2000 mm long

Ovoј crtez e сопственост на Electroflux-Bitola. Bez negovo писмено одобрување истиот не смее да се препишува, умножува нити копира без согласност од Electroflux vo спротивно се носат последици во смисла на членовите 163 i 164 од кривичниот закон R.M. (повреда на авторско право)

Браќа Минџови бр.18, Ситара Царинија Битола. Г.Т.Ц. Бунјаковец Скопје  
Тел/Факс: 047/203-900; 203-330; 070/237-108  
Тел/Факс: 02/329 8 130; 070/237 198

[www.elektroluks.com.mk](http://www.elektroluks.com.mk), [www.electrolux.com.mk](http://www.electrolux.com.mk), [electrolux@mt.net.mk](mailto:electrolux@mt.net.mk)

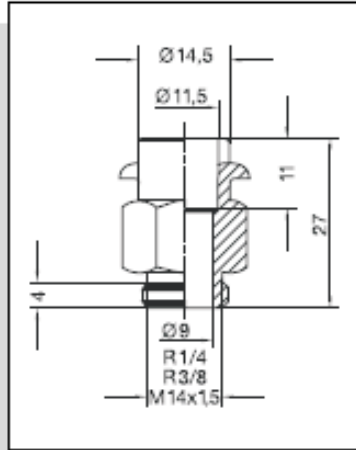
Electroluks is registered trademark of Electroflux companies in Macedonia and other countries



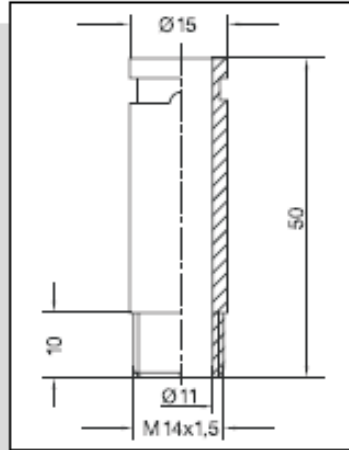
# Електролукс Electrolux Bitola

## Screw-In Nipples

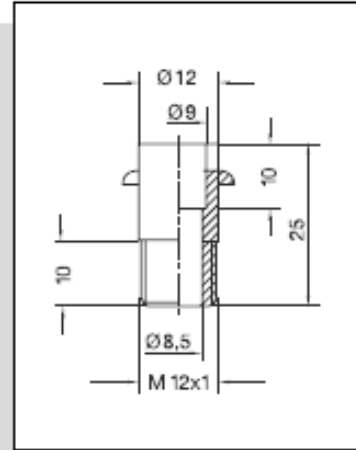
type N 4 (for TEF 4)



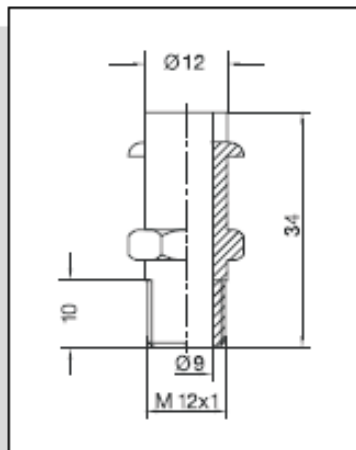
type N 11 (for TEF 11)



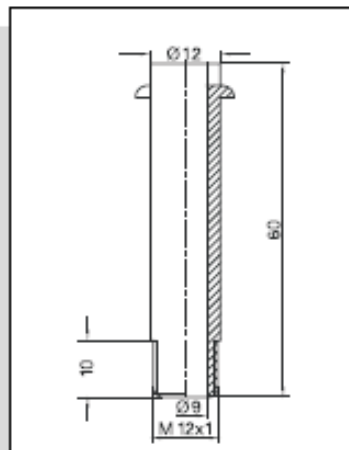
type N 16 (for TEF 16)



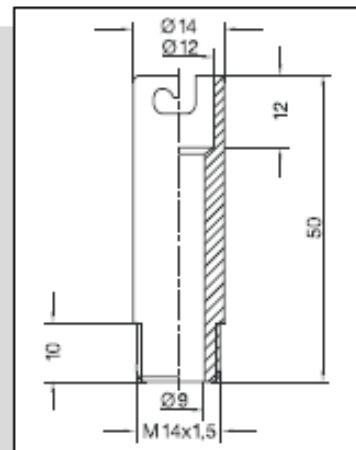
type N 20/21 (for TEF 20/21)



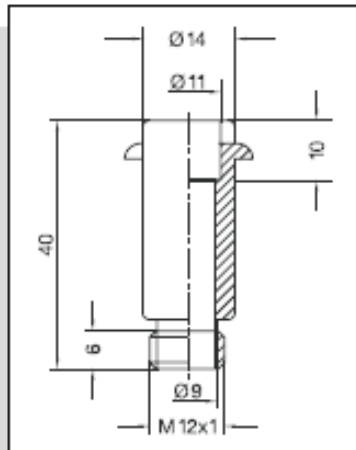
type EN 30



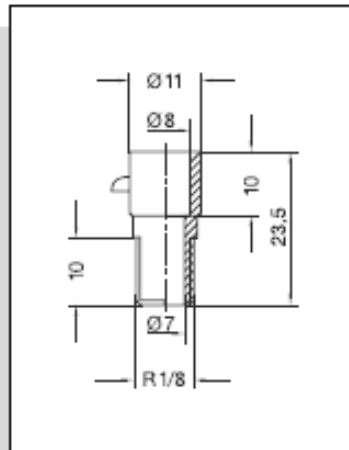
type EN 31



type EN 32



type EN 33



Ovoј crtez e сопственост на Electrolux-Bitola. Bez negovo писмено одобрување истиот не смее да се препишува, умножува нити копира, без согласност од Electroluks во спротивно се носат последици во смисла на членовите 163 и 164 од кривичниот закон R.M. (повреда на авторско право)

Браќа Мингови бр.18, Ситара Царница Битола, Г.Т.Ц. Бунјаковец Скопје  
Тел/Факс: 047/203-900; 203-330; 070/237-108  
Тел/Факс: 02/329 8 130; 070/237 198

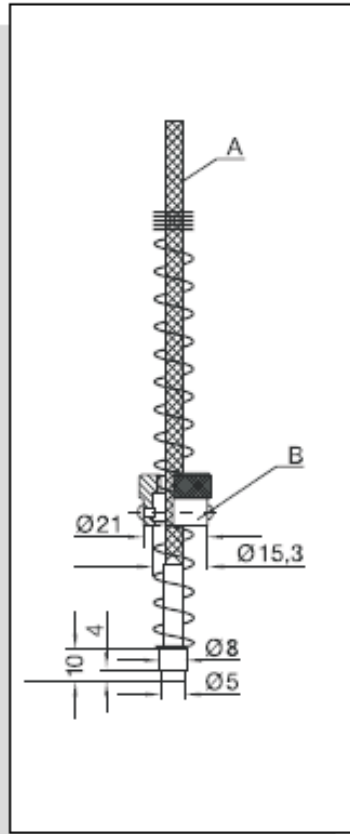
[www.elektroluks.com.mk](http://www.elektroluks.com.mk), [www.electrolux.com.mk](http://www.electrolux.com.mk), [electrolux@mt.net.mk](mailto:electrolux@mt.net.mk)

Electroluks is registered trademark of Elektroluks companies in Macedonia and other countries



# Elektroluks Bitola

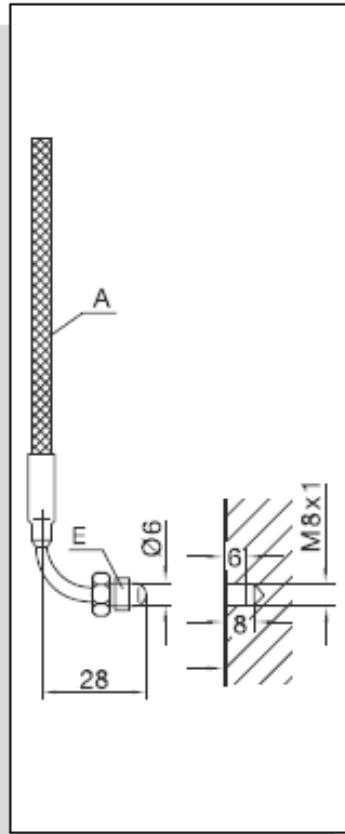
## Thermocouples (TEF), Resistance Sensors (PWF)



### TEF 11, PWF 11

cylindrical sensor

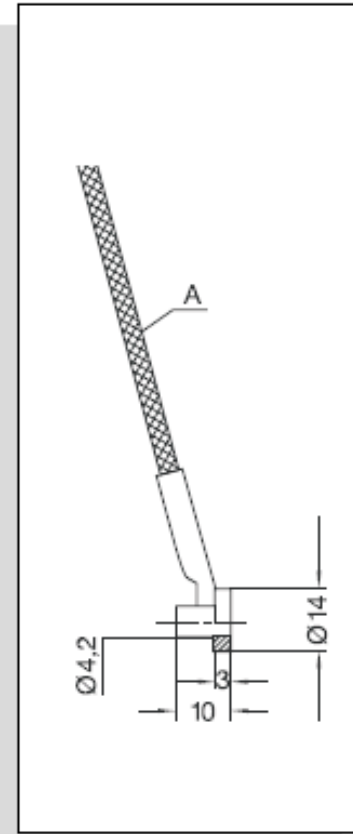
- sensor tube  $\varnothing$  8 mm, length 6 mm;
- sensor plane  $\varnothing$  5 mm, length 4 mm
- pinned cap (B)  $\varnothing$  15.3 mm
- by turning the 200 mm long compression spring, the fitting depth can be adjusted
- for bayonet-screw-nipple  $\varnothing$  14 mm, type N 11
- FeCu-Ni, NiCr-Ni
- PT 100 (PWF 11)
- compensation line (A)  $2 \times 1.0 \text{ mm}^2$ , 2000 mm long



### TEF 12

cylindrical sensor in angular shape

- sensor tube  $\varnothing$  6 mm, length 5 mm
- with screw-in nipple (E) M8 x 1
- FeCu-Ni, NiCr-Ni
- compensation line (A)  $2 \times 1.0 \text{ mm}^2$ , 2000 mm long



### TEF 13

surface sensor

- sensor plane  $\varnothing$  14 mm
- for installation with a central screw M 4
- FeCu-Ni, NiCr-Ni
- compensation line (A)  $2 \times 1.0 \text{ mm}^2$ , 2000 mm long

Ovoј crtez e сопственост на Elektroluks-Bitola. Bez negovo писмено одобрување истиот не смее да се препишува, умножува нити копира без согласност од Elektroluks во спротивно се носат последици во смисла на членовите 163 и 164 од кривичниот закон R.M. (повреда на авторско право)

Браќа Минџови бр.18, Ситара Царинија Биџола. Г.Т.Ц. Бунјаковец Скопје  
Тел/Факс: 047/203-900; 203-330; 070/237-108  
Тел/Факс: 02/329 8 130; 070/237 198

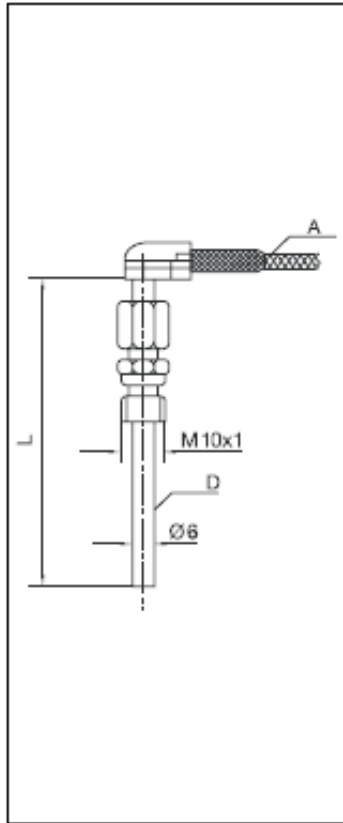
[www.elektroluks.com.mk](http://www.elektroluks.com.mk), [www.electrolux.com.mk](http://www.electrolux.com.mk), [electrolux@mt.net.mk](mailto:electrolux@mt.net.mk)

Elektroluks is registered trademark of Elektroluks companies in Macedonia and other countries



# Електролукс Electrolux Bitola

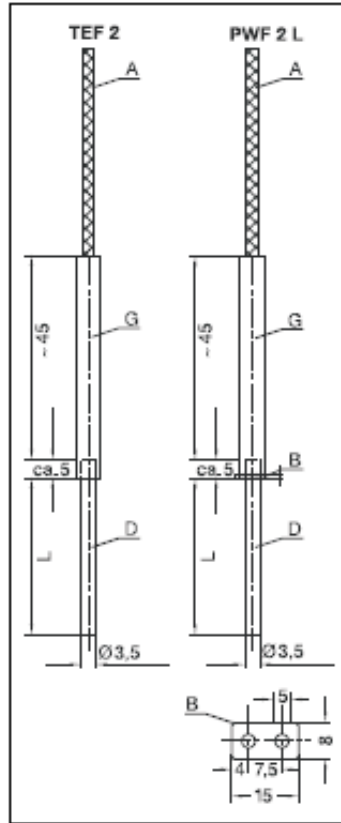
## Thermocouples (TEF), Resistance Sensors (PWF)



### TEF 1, PWF 1

cylindrical sensor with right angle exit

- sensor tube (D) Ø 6 mm
- length (L): 60, 100 or 150 mm, other lengths on request
- with Hermo-screwing M 10 x 1
- compensation line (A) 2 x 1.0 mm<sup>2</sup>, 2000 mm long
- FeCu-Ni, NiCr-Ni, PT 100



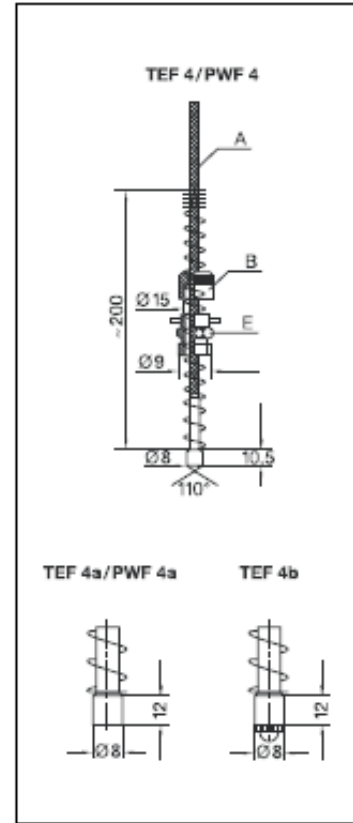
### TEF 2, PWF 2

cylindrical sensor

- sensor tube (D) Ø 3.5 mm ± 0.05 mm
- length (L) 30 or 40 mm (without screwing)
- sheath from stainless steel (material-no. 1.4301)
- compensation line (A) glass silk insulated, 2 x 0.5 mm<sup>2</sup>, approx. 3 mm Ø (without braided protection), 2000 mm long (standard), longer connections on request
- with GLS-sleeving (G), approx. 45 mm long
- FeCu-Ni, NiCr-Ni, PT 100
- TEF 2 L / PWF 2 L with fixing plate (B), material-no. 1.4301

installation instruction:

when assembling it is important to take care of the tight fit between bore bottom and sensor bottom



### TEF 4, PWF 4

the most frequently used sensor

- sensor tube Ø 8 mm, length 10.5 mm
- with sensor tip 110°
- fitting depth of bayonet-cap (B) can be adjusted with screws on a 200 mm long compression spring
- with screw-in nipple (E) R 3/8", on request M 14 x 1.5 or R 1/4"
- compensation line (A) 2 x 1.0 mm<sup>2</sup>, 2000 mm long
- FeCu-Ni, NiCr-Ni, PT 100

### TEF 4a, PWF 4a

- as TEF 4 / PWF 4, but with flat sensor tip

### TEF 4b

- as TEF 4 but with round sensor tip and ceramic insulation

Ovoј crtez e сопственост на Electrolux-Bitola. Bez negovo писмено одобрување истиот не смее да се препишува, умножува нити копира без согласност од Electroluks во спротивно се носат последици во смисла на членовите 163 и 164 од кривичниот закон R.M. (повреда на авторско право)

Браќа Минџови бр.18, Ситара Царинија Битола. Г.Т.Ц. Бунјаковец Скопје  
Тел/Факс: 047/203-900; 203-330; 070/237-108  
Тел/Факс: 02/329 8 130; 070/237 198

[www.elektroluks.com.mk](http://www.elektroluks.com.mk), [www.electrolux.com.mk](http://www.electrolux.com.mk), [electrolux@mt.net.mk](mailto:electrolux@mt.net.mk)

Electroluks is registered trademark of Elektroluks companies in Macedonia and other countries



# Електролукс Electrolux Bitola

## Surface Thermocouple

### MT 1.0

surface thermocouple MT 1.0 for placing into a slot of 1.0 mm

- sensor tube (D)  $\varnothing$  1.0 mm
- length (L): 90 or 150 mm
- with bend-protection spring (B) and strengthening sleeve (material-no. 1.4571)
- compensation line (A) with protective metal sleeving, FeCu-Ni, 2000 mm long  
2 x 0.25  $\square$  SN 6479
- bendable with a minimum radius of 10 mm
- max. operating temperature:  
supply line: 350 °C,  
thermocouple: 800 °C
- FeCu-Ni: DIN 43710,  
sheath: Inox

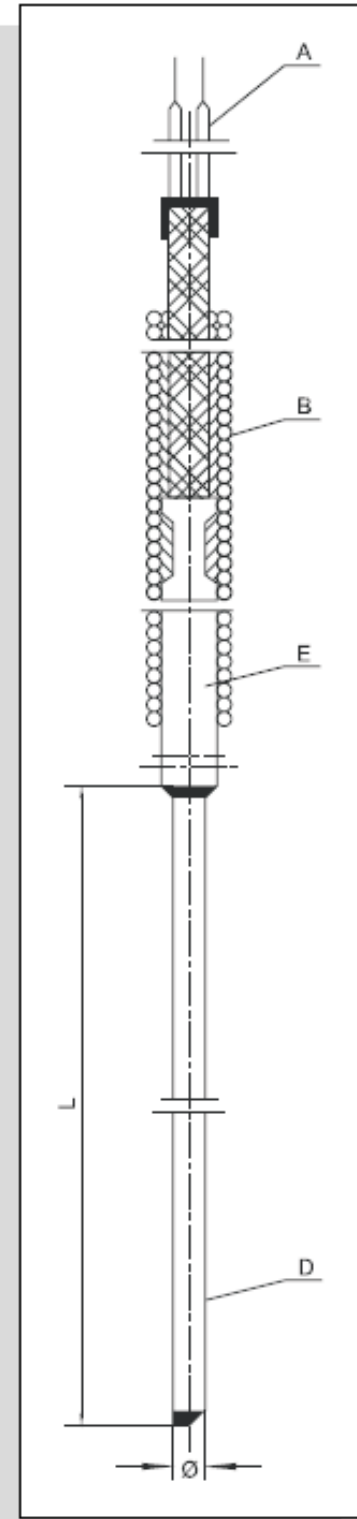
A: compensation line  
B: bend-protection spring  
D: sensor tube  
E: strengthening sleeve  
(material-no. 1.4571)

### MT 1.5

surface thermocouple MT 1.5 for placing into a slot of 1.5 mm

- sensor tube (D)  $\varnothing$  1.5 mm
- length (L): 90, 150 or 240 mm
- with bend-protection spring (B) and strengthening sleeve (material-no. 1.4571)
- compensation line (A) with protective metal sleeving, FeCu-Ni, NiCr-Ni, 2000 mm long  
2 x 0.25  $\square$  SN 6479
- bendable with a minimum radius of 10 mm
- max. operating temperature:  
supply line: 350 °C,  
thermocouple: 800 °C
- FeCu-Ni: DIN 43710,  
sheath: Inox  
or  
NiCr-Ni: DIN IEC 584 part 1,  
sheath: Inconel

A: compensation line  
B: bend-protection spring  
D: sensor tube  
E: strengthening sleeve  
(material-no. 1.4571)



Ovoј crtez e sopstvenost na Elektrolux-Bitola. Bez negovo pismeno odobruvanje istiot nesmee da se prepisuva , umnozuvati niti kopirati bez soglasnost od Elektroluks vo sprotivno se snosat posledici vo smislana clenovite 163 i 164 od kivicniot zakon R.M. (povređa na avtorsko pravo)

Браќа Минџови бр.18, Ситара Царинија Битола. Г.Т.Ц.Бунјаковец Скопје  
Тел/Факс: 047/203-900; 203-330; 070/237-108  
Тел/Факс: 02/329 8 130; 070/237 198

[www.elektroluks.com.mk](http://www.elektroluks.com.mk), [www.electrolux.com.mk](http://www.electrolux.com.mk), [electrolux@mt.net.mk](mailto:electrolux@mt.net.mk)

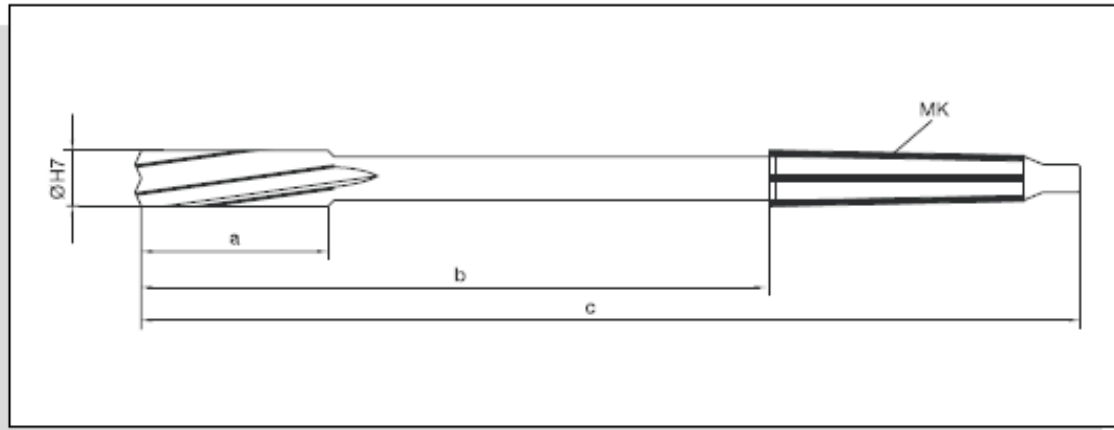
Electroluks is registered trademark of Elektroluks companies in Macedonia and other countries





# Elektroluks Bitola

## Machine Reamer



### standard details

- material HSS
- for bore holes according to ISO H7
- morse cone (MK)

### variable specifications

- for heater length and diameter according to the High Watt Density Cartridge Heaters stock measurements

### options

- special manufactures are possible in each required diameter and lengths

### order details

- art.-no. 9201001
- type: Rb1

### drawing:

- a: cutting length
- b: drilling depth
- c: total length

### stock measurements:

article number	type	heater-nom.-Ø mm / inch	reamer Ø H7	cutting length (a) mm	max. ream depth (b) mm / inch	total length (c) mm
9201001	Rb 1	6.5	6.50	28	80	200
9201002	Rb 2			28	100	220
9202003	Rb 3	8.0	8.00	40	80	200
9202004	Rb 4			40	130	250
9203005	Rb 5	10.0	10.00	40	80	220
9203006	Rb 6			40	160	250
9205007	Rb 7	12.5	12.50	45	80	220
9205008	Rb 8			45	200	300
9206009	Rb 9	16.0	16.00	40	170	260
9206010	Rb 10			45	200	300
9206011	Rb 11			45	300	400
9207012	Rb 12	20.0	20.00	45	100	220
9207014	Rb 14			45	300	400
9211021	Rb 21	1/4"	6.32	28	3"	200
9211022	Rb 22			28	4"	220
9213023	Rb 23	3/8"	9.48	40	3"	220
9213024	Rb 24			40	6"	250
9215025	Rb 25	1/2"	12.63	45	3"	220
9215026	Rb 26			45	6"	300
9216028	Rb 28	5/8"	15.83	45	4"	260
9216030	Rb 30			45	10"	400

Ovoj crtez e sopstvenost na Elektrolux-Bitola. Bez negovo pismeno odobruvanje istiot nesmee da se prepisuva , umnozuva niti kopira , bez soglasnost od Elcrtroluks vo sproftivo se snosat posledici vo smislana clenovite 163 i 164 od kivicniot zakon R.M. (povreda na avtorsko pravo)

Браќа Минѓови бр.18, Ситара Царинија Битола. Г.Т.Ц.Бунјаковец Скопје  
Тел/Факс: 047/203-900; 203-330; 070/237-108  
Тел/Факс: 02/329 8 130; 070/237 198

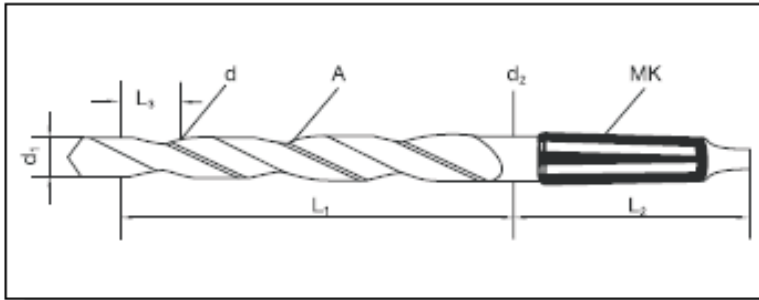
[www.elektroluks.com.mk](http://www.elektroluks.com.mk), [www.electrolux.com.mk](http://www.electrolux.com.mk), [electrolux@mt.net.mk](mailto:electrolux@mt.net.mk)

Elektroluks is registered trademark of Elektroluks companies in Macedonia and other countries



# Електролуks Electrolux Bitola

## Drill Reamer



### standard details

- material HSS
- morse cone (MK)
- cone (A) 1 : 50

### variables specifications

- for heater length and diameter according to the heater insert stock measurements

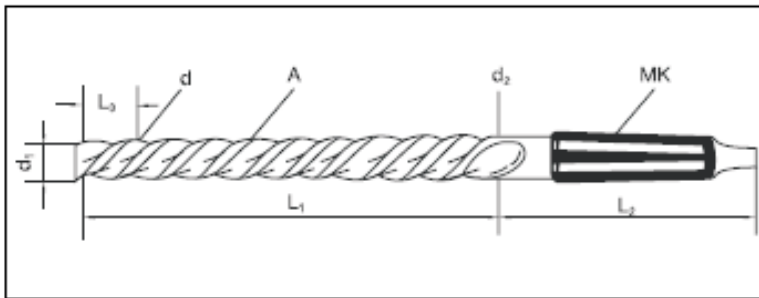
### order details

- art.-no. 9310156

### stock measurements:

art.-no.	max. Ø sleeve	MK	L <sub>1</sub>	L <sub>2</sub>	L <sub>3</sub>	d	d <sub>1</sub>	d <sub>2</sub>	type
9310156	10.7-12.3mm	1	200	80	27	9.0	8.46	12.0	1
9310357	14.6-15.7mm	2	200	100	27	12.5	11.96	15.7	2
9310358	16.5-17.6mm	2	280	100	27	12.5	11.96	17.3	3
9310359	17.1-18.3mm	2	200	100	27	15.0	14.46	18.0	4
9310560	19.1-20.0mm	2	280	100	27	15.0	14.46	19.7	5

## Conical Reamer



### standard details

- material HSS
- morse cone (MK)
- cone (A) 1 : 50

### variables specifications

- for heater length and diameter according to the heater insert stock measurements

### order details

- art.-no. 9220156

### stock measurements:

art.-no.	max. Ø sleeve	MK	L <sub>1</sub>	L <sub>2</sub>	L <sub>3</sub>	d	d <sub>1</sub>	d <sub>2</sub>	type
9220156	10.7-12.3mm	1	180	80	5	9.0	8.9	12.0	6
9220357	14.6-15.7mm	2	180	100	5	12.5	12.4	15.7	7
9220358	16.5-17.6mm	2	270	100	5	12.5	12.4	17.6	8
9220559	17.1-18.3mm	2	180	100	5	15.0	14.9	18.3	9
9220560	19.1-20.0mm	2	270	100	5	15.0	14.9	20.0	10

Ovoj crtez e sopstvenost na Electrolux-Bitola. Bez negovo pismeno odobruvanje istiot nesmee da se prepisuvaa, umnozuvaa niti kopira bez soglasnost od Electroluks vo sproftivo se snosat posledici vo smislana clenovite 163 i 164 od kivicniot zakon R.M. (povreka na avtorsko pravo)

Браќа Минѓови бр.18, Ситара Царинија Битола. Г.Т.Ц.Бунјаковец Скопје  
Тел/Факс: 047/203-900; 203-330; 070/237-108  
Тел/Факс: 02/329 8 130; 070/237 198

[www.elektroluks.com.mk](http://www.elektroluks.com.mk), [www.electrolux.com.mk](http://www.electrolux.com.mk), [electrolux@mt.net.mk](mailto:electrolux@mt.net.mk)

Electroluks is registered trademark of Elektroluks companies in Macedonia and other countries



# Електролукс Electrolux Bitola

## Plug Connections, Flange Sockets, Cables

plugs:



corresponding flange sockets:



small, round plug connectors

Ø 13 mm, with thread

T 3200 / 2 poles

T 3260 / 3 poles

T 3300 / 4 poles



angular plug

T 3303-06 / 4 poles



small, round plug connectors

Ø 21 mm, with thread

T 3079 / 3 poles



small, round plug connectors

Ø 21 mm, with thread

T 3083 / 5 poles



small, round plug connectors

Ø 21 mm, with bayonet-locking

T 3008 / 3 poles

T 3012 / 5 poles



cable with end sleeves



cable with cable shoes

Ovoj crtez e sopstvenost na Electrolux-Bitola. Bez negovo pismeno odobruvanje istiot nesmee da se prepisuva , umnozuva nitii kopira , bez soglasnost od Electroluks vo sprofitno se snosat posledici vo smislana clenovite 163 i 164 od kivicniot zakon R.M. (povreda na avtorsko pravo)

Браќа Мингови бр.18, Ситара Царница Битола. Г.Т.Ц. Бунјаковец Скопје  
Тел/Факс: 047/203-900; 203-330; 070/237-108  
Тел/Факс: 02/329 8 130; 070/237 198

[www.elektroluks.com.mk](http://www.elektroluks.com.mk), [www.electrolux.com.mk](http://www.electrolux.com.mk), [electrolux@mt.net.mk](mailto:electrolux@mt.net.mk)

Electroluks is registered trademark of Elektroluks companies in Macedonia and other countries

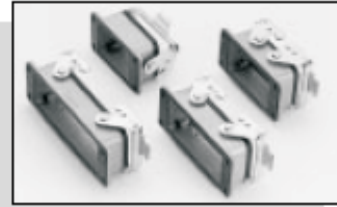


# Електролуks Electrolux Bitola

## Plug Connections

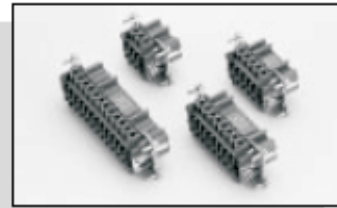
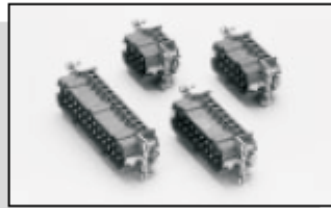
**housing top part (left)**  
with strain relief, without locking  
art.-no.  
9610600 (6 poles), 9611000 (10 poles),  
9611600 (16 poles), 9612400 (24 poles)

**housing bottom part (right)**  
art.-no.  
9620600 (6 poles), 9621000 (10 poles),  
9621600 (16 poles), 9622400 (24 poles)



**plug insert (left)**  
art.-no.  
9640600 (6 poles), 9641000 (10 poles),  
9641600 (16 poles), 9642400 (24 poles)

**socket insert (right)**  
art.-no.  
9630600 (6 poles), 9631000 (10 poles),  
9631600 (16 poles), 9632400 (24 poles)



**cable for  
plug connections**



## Controller Cart on Castors

- controller cart on castors**  
art.-no. 8850000
- for a safe and comfortable put down and transport of multiple or multiple zones temperature controllers within the production area
  - on castors
  - load capacity 150 kg
  - measures of the position area (w x d) 507 x 412 mm
  - adjustable angle of inclination of the position area: horizontal, 15° or 30°
  - height-adjustable from 490 - 776 mm



Ovoј crtez e сопственост на Electrolux-Bitola. Bez negovo писмено одобрување истиот не смее да се препишува, умножува нити копира без согласност од Electroluks во спротивно се носат последици во смисла на членовите 163 и 164 од кивичниот закон R.M. (повреда на авторско право)

Браќа Минѓови бр.18, Ситара Царинија Битола. Г.Т.Ц. Бунјаковец Скопје  
Тел/Факс: 047/203-900; 203-330; 070/237-108  
Тел/Факс: 02/329 8 130; 070/237 198

[www.elektroluks.com.mk](http://www.elektroluks.com.mk), [www.electrolux.com.mk](http://www.electrolux.com.mk), [electrolux@mt.net.mk](mailto:electrolux@mt.net.mk)



# Електролуks Electrolux Bitola

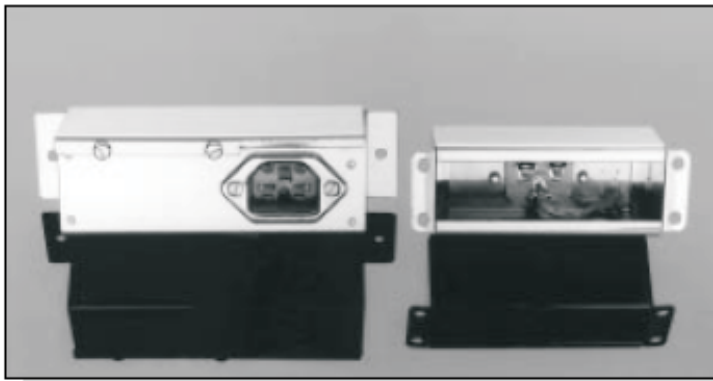
## Ceramic Terminal Connector



ceramic terminal connector  
for each tubular heater  $\varnothing$  8.0 - 8.5 mm

- no additional insulation necessary
- heat resistant up to 230 °C in continuous operation (max. up to 280 °C)
- nominal voltage 400 V
- ready for installation
- dimensions (w x h x d) approx. 14 x 21 x 25 mm

## Connection Boxes



version 1

- from stainless steel, without terminal strip, with plug connection (up to 10 A, 250 V)
- art.-no. 9604080, 40 x 80 mm

version 2

- from stainless steel, with or without terminal strip from 160 mm (increasing by 20 mm each), also with plug connection (up to 10 A, 250 V)
- art.-no. 9604160, 40 x 160 mm
- art.-no. 9604161, 40 x 160 mm, with PG-screwing at the side
- art.-no. 9604240, 40 x 240 mm

version 3

- from stainless steel, with or without terminal strip (see above), with plug socket for thermocouple connection

version 4

- from stainless steel, with terminal strip and plug connection (up to 16 A, 220 V)

## "Isoleitspray"



"Isoleitspray"

high temperature lubricant  
art.-no. 9400001

- heat conductive
- not electrically conductive
- corrosion protection
- less abrasion
- very good separation quality against metal, glass and slag melts as well as plastics
- temperature resistant up to 900 °C if exposed to air, up to 2000 °C in non-oxidizing atmosphere
- tin contains ~ 200 ml

Ovoј crtez e сопственост на Electrolux-Bitola. Bez negovo писмено одобрување истиот несмеа да се препишува, умножува нити копира без согласност од Electroluks во спротивно се сносат последици во смисла на членовите 163 и 164 од кривичниот закон R.M. (повреда на авторско право)

Браќа Минџови бр.18, Ситара Царинија Биџола. Г.Т.Ц. Бунјаковец Скопје  
Тел/Факс: 047/203-900; 203-330; 070/237-108  
Тел/Факс: 02/329 8 130; 070/237 198

[www.elektroluks.com.mk](http://www.elektroluks.com.mk), [www.electrolux.com.mk](http://www.electrolux.com.mk), [electrolux@mt.net.mk](mailto:electrolux@mt.net.mk)

Electroluks is registered trademark of Elektroluks companies in Macedonia and other countries