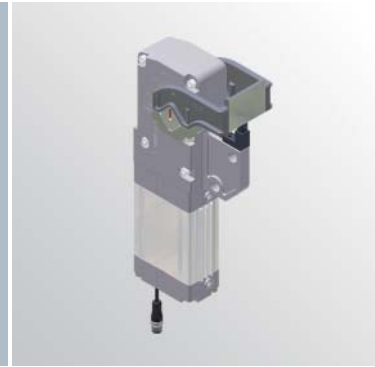


DMS

Power clamps conforming to the CNOMO Standard



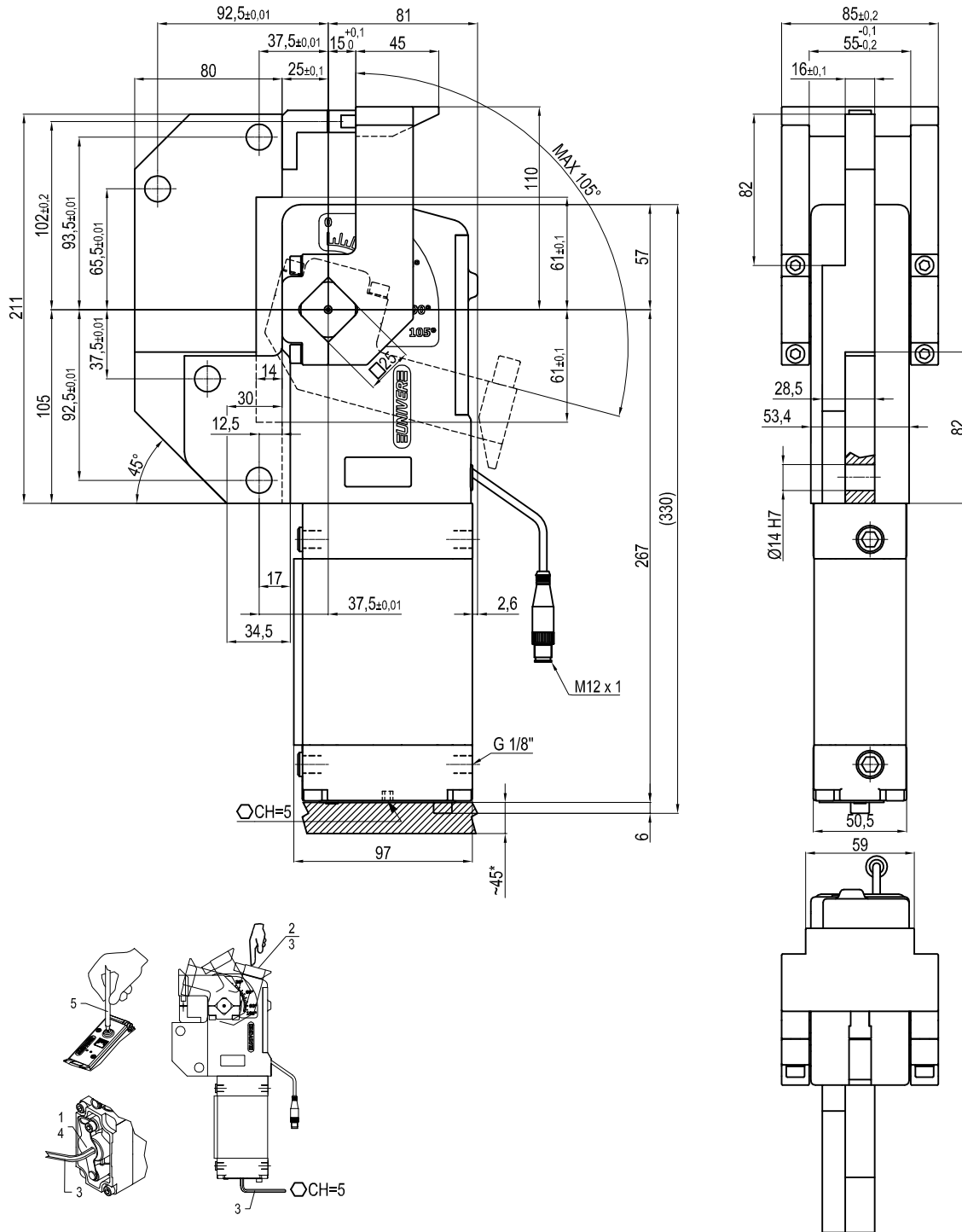
D	M	S	2	5	0	M	P	N	U
1		2			3		4	5	

1 Series	2 Size	3 Mechanims
DMS = power clamp conforming to the CNOMO Standard	250 = 250 Nm (size 63, cylinder Ø 63mm)	MP = pneumatic mechanism

4 Brake	5 Sensing style/Version
N = without brake system V = with brake system	S = no sensor U = UNIVERSAL version, with three-wires electronic sensor and stepless adjustment of the opening angle from 10° to 105°



UNIVERSAL Power clamp conforming to the CNOMO standard
 + DMS250ETN
 + DMS100-250ADD



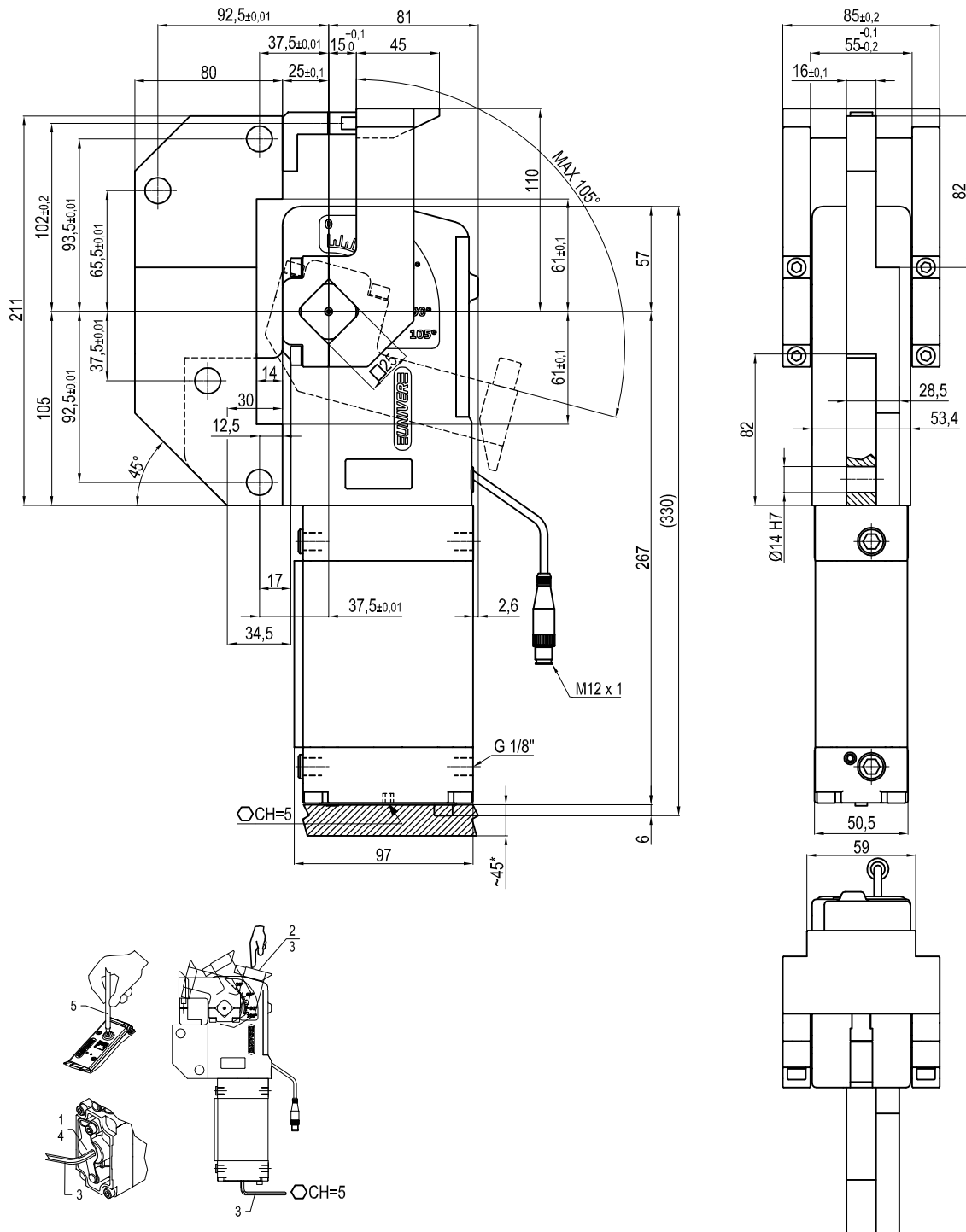
Size	Cylinder	Max clamping moment at 0,55 MPa	Cycle time (0,55 MPa)	Weight
250	63	7 daN	0.8 sec. x 90°	5.8 Kg.

Min./Max. operating pressure: **0,4 / 0,8 MPa**
 Operating temperature: **5° ± 45° C**
 Opening angle: **adjustable from 10° to 105°**
 Clamping arm position: horizontal
 Electronic 24 Vdc, sensor with M12
 Protection Class: **IP 65**
 Pneumatic ports on both sides

* : AREA TO ACCES ANGLE ADJUSTMENT

Subject to technical modifications without notice

UNIVERSAL Power clamp conforming to the CNOMO standard + DMS250ETN + DMS100-250ADG



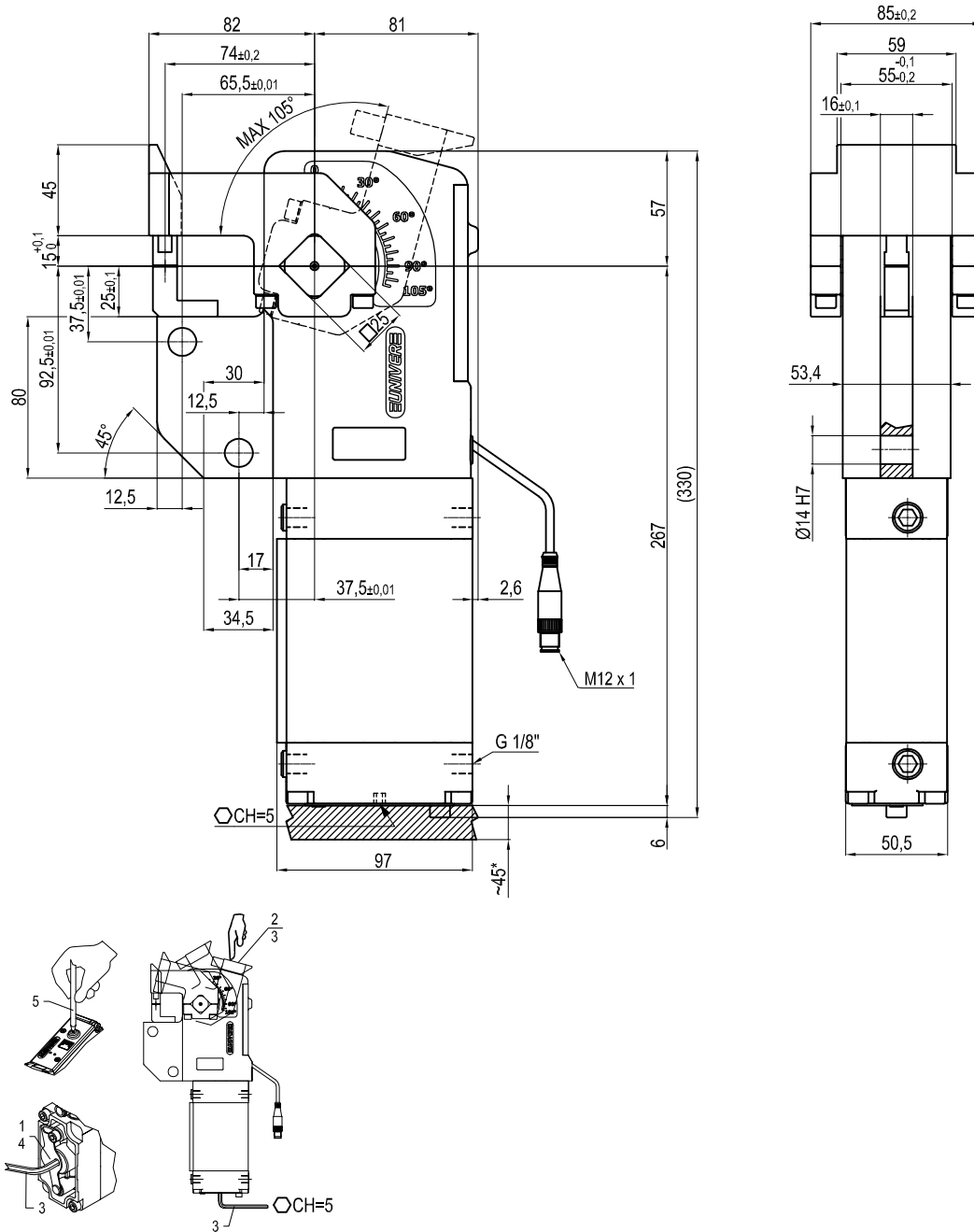
Size	Cylinder	Max clamping moment at 0,55 MPa	Cycle time (0,55 MPa)	Weight
250	63	7 daN	0.8 sec. x 90°	5.8 Kg.

Min./Max. operating pressure: **0,4 / 0,8 MPa**
 Operating temperature: **5° ± 45° C**
 Opening angle: **adjustable from 10° to 105°**
 Clamping arm position: horizontal
 Electronic 24 Vdc, sensor with M12
 Protection Class: **IP 65**
 Pneumatic ports on both sides

* : AREA TO ACCES ANGLE ADJUSTMENT

Subject to technical modifications without notice

UNIVERSAL Power clamp conforming to the CNOMO standard + DMS250ETC



Size	Cylinder	Max clamping moment at 0,55 MPa	Cycle time (0,55 MPa)	Weight
250	63	7 daN	0.8 sec. x 90°	4.9 Kg.

Min./Max. operating pressure: **0,4 / 0,8 MPa**
 Operating temperature: **5° ± 45° C**
 Opening angle: **adjustable from 10° to 105°**
 Clamping arm position: horizontal
 Electronic 24 Vdc, sensor with M12
 Protection Class: **IP 65**
 Pneumatic ports on both sides

* : AREA TO ACCES ANGLE ADJUSTMENT

Subject to technical modifications without notice