

# LAGP300

Power pivot



L	A	G	P	3	0	0	V	U	0	9	0	B
1		2	3			4	5	6			7	

<b>1 Series</b>	<b>2 Version</b>	<b>3 Size</b>
-----------------	------------------	---------------

**LAG** = Power pivot with predetermine pivot rotation in degrees

**P** = Pneumatic standard

**300**

<b>4 Table position</b>	<b>5 Sensing style</b>	<b>6 Pivot rotation in degrees</b>
-------------------------	------------------------	------------------------------------

**V** = vertical 180°

**O** = horizontal 90°

**Z** = vertical mount style symmetrical to V mount style.

Max. opening angle 120°

**P** = horizontal mount style symmetrical to O mount style.

Max. opening angle 60°

**U** = Electronic sensor with M12 swivel connector, 24 Vcc.

**120** = 120°

**090** = 90°

**060** = 60°

**045** = 45°

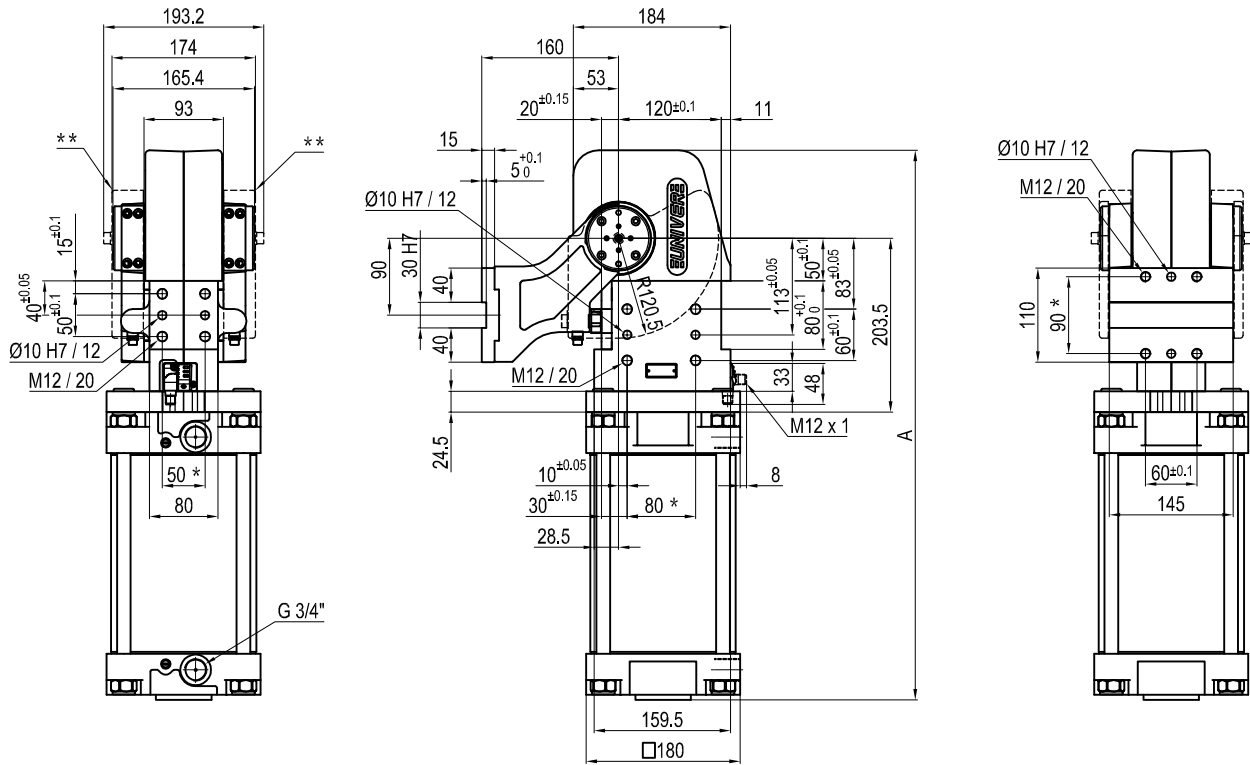
<b>7 Brake system</b>
-----------------------

**B** = With safety brake

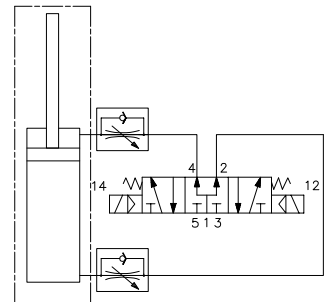
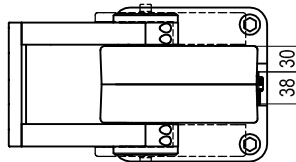
**W** = Without safety brake



## Pneumatic power pivot



Pivot rotation in degrees	A
45°	564
60°	578
90°	609
120°	643



Size	Holding moment	Max. torque at the rotary table 0,55 MPa	Weight
300	6000 Nm	300 Nm	30 Kg

Min./Max. operating pressure: **0,4 / 0,8 MPa**

Operating temperature: **5° ÷ 45° C**

Predetermine pivot rotation in degrees: **45° - 60° - 90° - 120°**

Vertical arm mount position

Electronic 24 Vdc sensor with M12 swivel connector that can be orientated at 0° or 90°

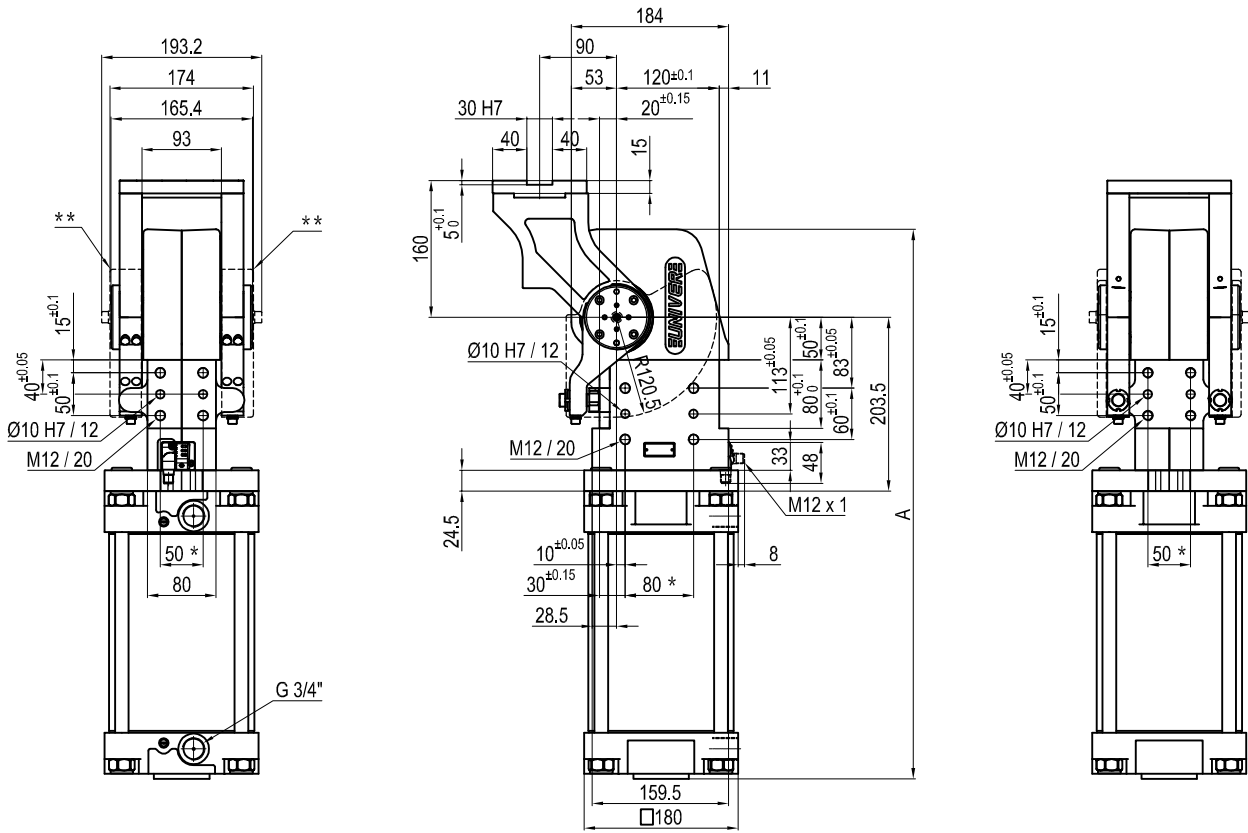
Protection class: **IP 65**

\* : TOLERANCE BETWEEN DOWEL HOLES ± 0.02, TO SCREW HOLES ± 0.1

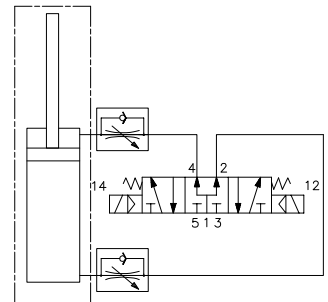
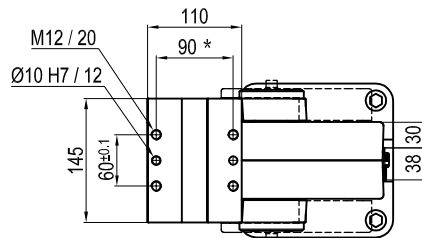
\*\* : TO BE ORDERED SEPARATEL

Subject to technical modifications without notice.

## Pneumatic power pivot



Pivot rotation in degrees	A
45°	564
60°	578
90°	609
120°	643



Size	Holding moment	Max. torque at the rotary table 0,55 MPa	Weight
300	6000 Nm	300 Nm	30 Kg

Min./Max. operating pressure: **0,4 / 0,8 MPa**

Operating temperature: **5° ÷ 45° C**

Predetermine pivot rotation in degrees: **45° - 60° - 90° - 120°**

Horizontal arm mount position

Electronic 24 Vdc sensor with M12 swivel connector that can be orientated at 0° or 90°

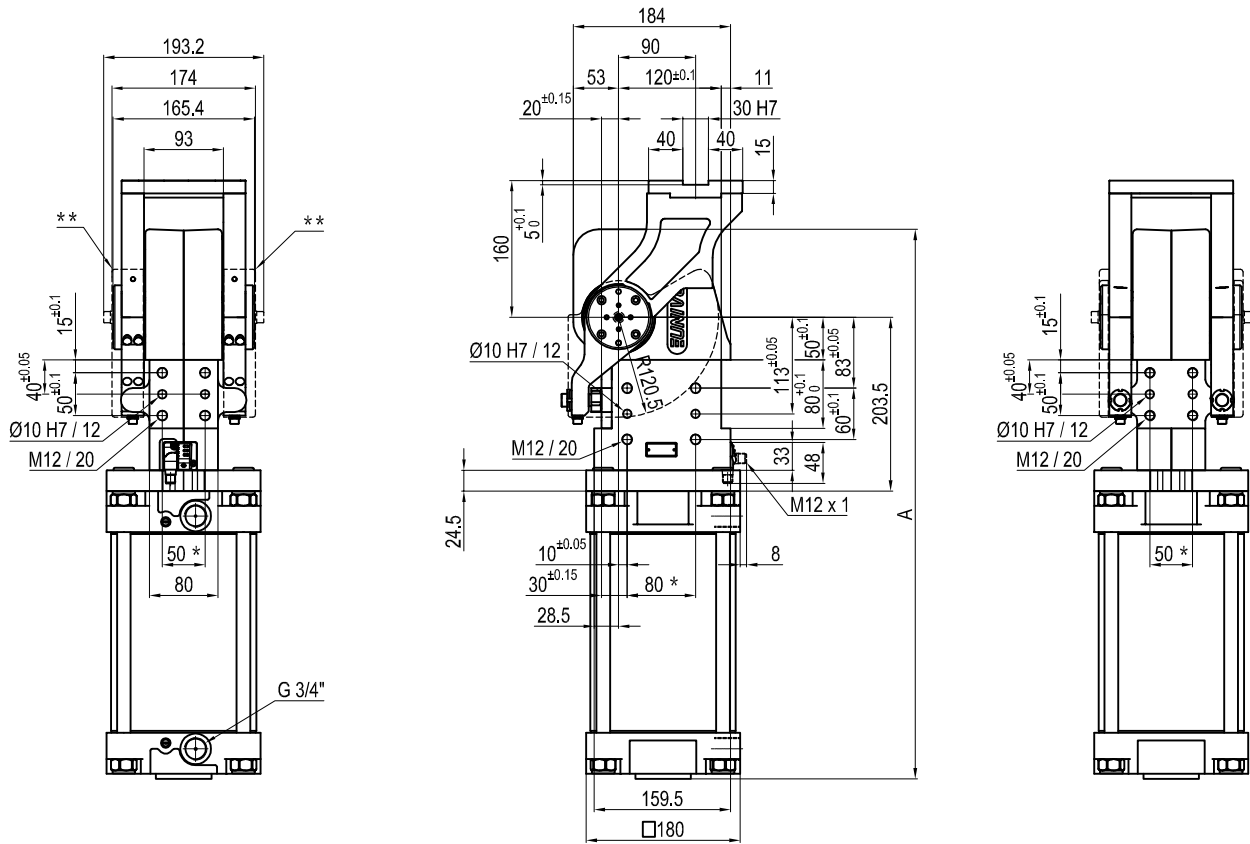
Protection class: **IP 65**

\* : TOLERANCE BETWEEN DOWEL HOLES ± 0.02, TO SCREW HOLES ± 0.1

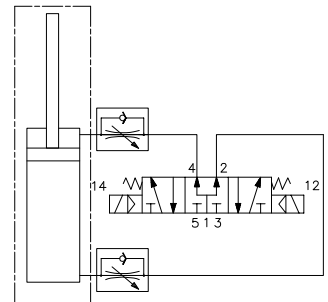
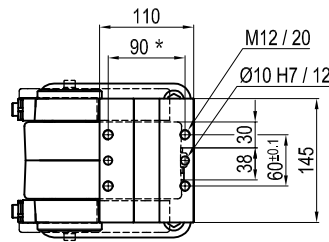
\*\* : TO BE ORDERED SEPARATELY

Subject to technical modifications without notice.

## Pneumatic power pivot



Pivot rotation in degrees	A
45°	634
60°	648



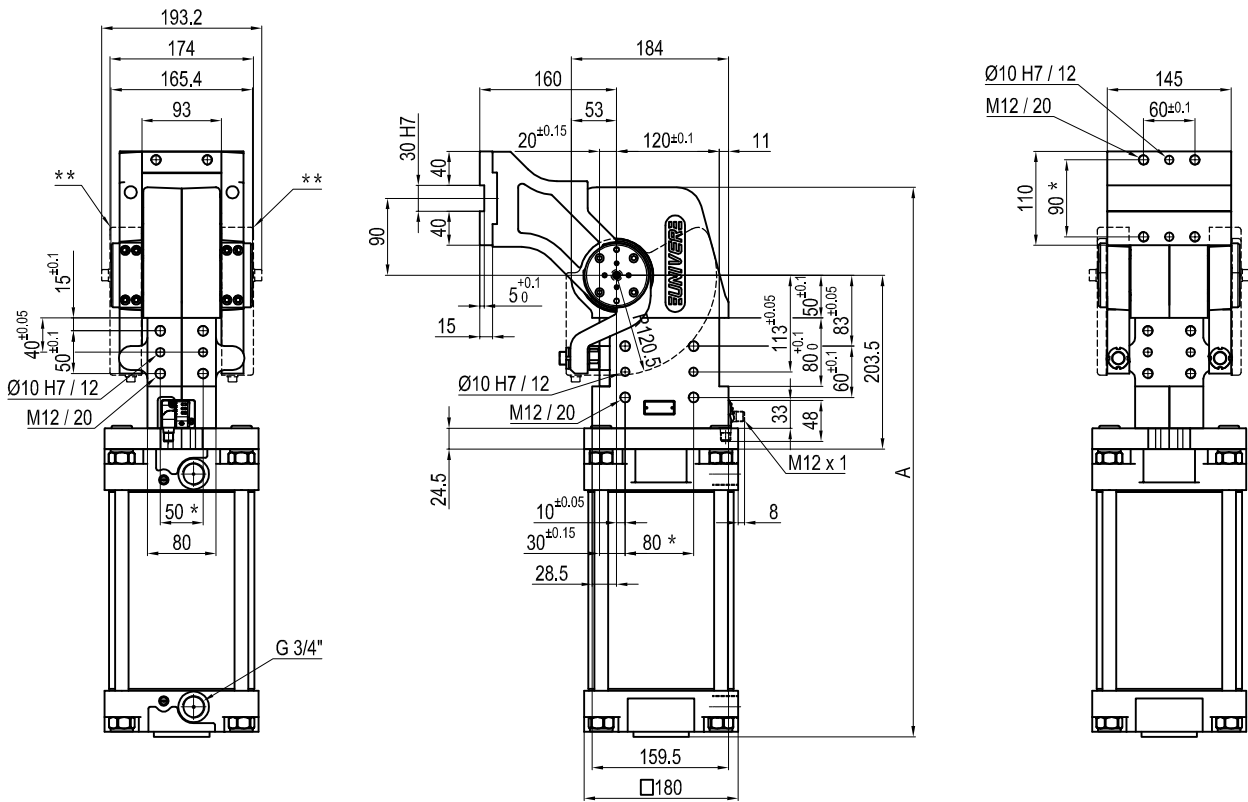
Size	Holding moment	Max. torque at the rotary table 0,55 MPa	Weight
300	6000 Nm	300 Nm	35 Kg

Min./Max. operating pressure: **0,4 / 0,8 MPa**  
 Operating temperature: **5° ÷ 45° C**  
 Predeterminate pivot rotation in degrees: **45° - 60°**  
 Horizontal arm mount position  
 Electronic 24 Vdc sensor with M12 swivel connector that can be orientated at 0° or 90°  
 Protection class: **IP 65**

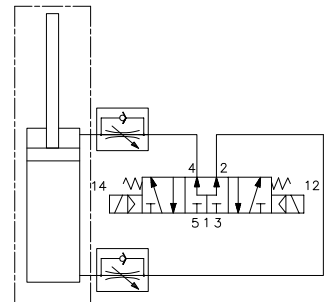
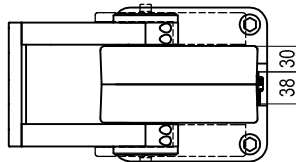
\* : TOLERANCE BETWEEN DOWEL HOLES ± 0.02, TO SCREW HOLES ± 0.1  
 \*\* : TO BE ORDERED SEPARATELY

Subject to technical modifications without notice.

## Pneumatic power pivot



Pivot rotation in degrees	A
45°	634
60°	648
90°	679
120°	713



Size	Holding moment	Max. torque at the rotary table 0,55 MPa	Weight
300	6000 Nm	300 Nm	35 Kg

Min./Max. operating pressure: **0,4 / 0,8 MPa**  
 Operating temperature: **5° ÷ 45° C**  
 Predetermine pivot rotation in degrees: **45° - 60° - 90° - 120°**  
 Vertical arm mount position  
 Electronic 24 Vdc sensor with M12 swivel connector that can be orientated at 0° or 90°  
 Protection class: **IP 65**

\* : TOLERANCE BETWEEN DOWEL HOLES ± 0.02, TO SCREW HOLES ± 0.1  
 \*\* : TO BE ORDERED SEPARATELY

Subject to technical modifications without notice.