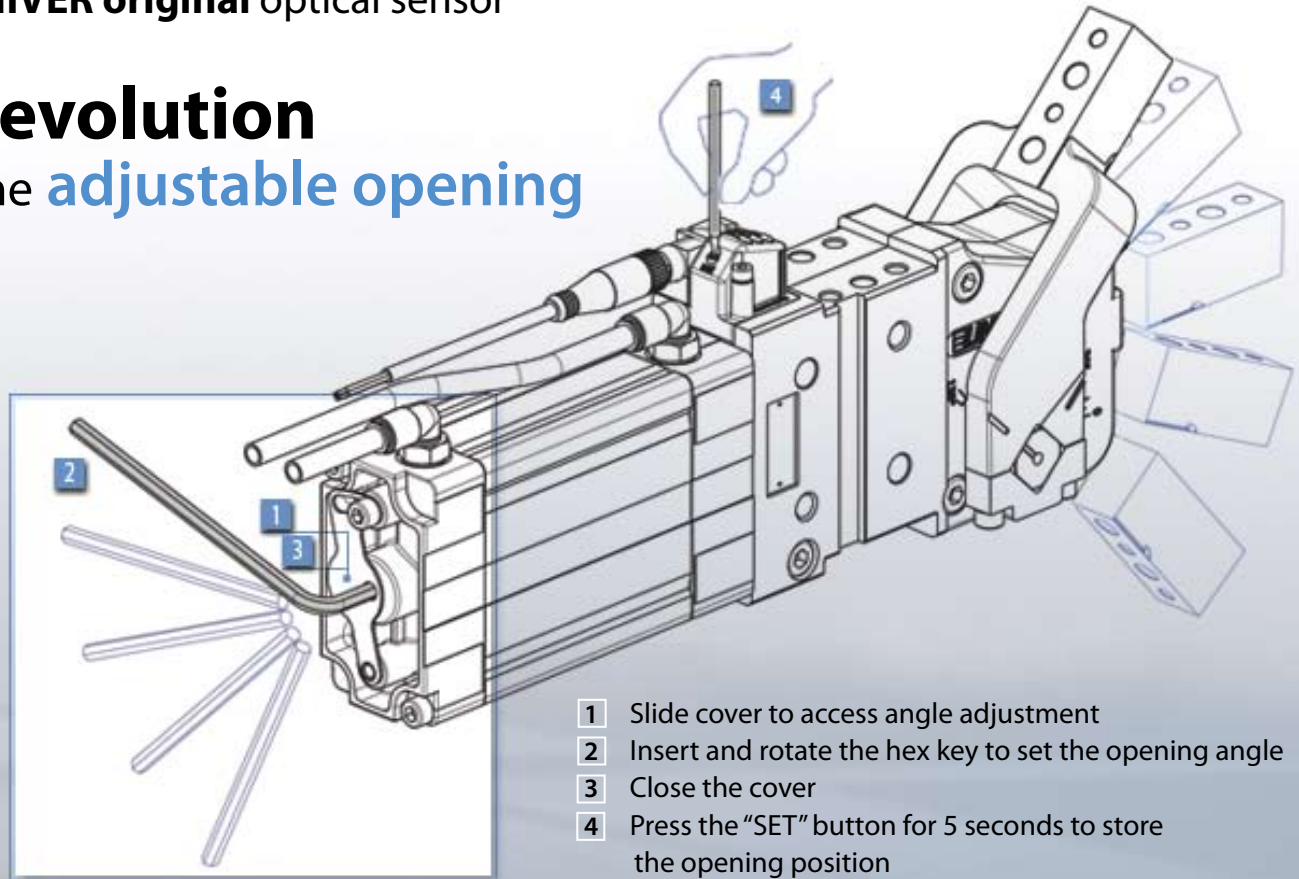


# UNIVERSAL\_Power clamps

- **Fully adjustable** opening angle
- **UNIVER original** optical sensor

The **evolution**  
of the **adjustable opening**



## COMPLETE INTERCHANGEABILITY with LAP/LNP series:

- Interchangeable **mounting**
- Interchangeable **overall dimensions**
- Interchangeable **models and options**
- Same **inner linkage mechanism**

## ADVANTAGES FOR THE END CUSTOMER:

### UNIVERSAL series:

- Allows **opening angle** to be adjusted from 0° to 125° for the 40mm bore and from 0° to 135° for the 50, 63, 80mm bore
- Allows **to set the opening** angle with or without air supply
- Reduces **stock requirements: one UNIVERSAL unit** can be used to set all possible opening angles
- Can be used **as direct replacement** for LAP/LNP series
- Increases **productivity** and decreases cycle time by being able to set the clamp to the minimum required opening angle
- Guarantees the same reliability recognized by the market thanks to the use of the **already proven inner linkage mechanism** of the LAP/LNP series
- Provides **pumatic ports on both sides** of the cylinder
- Is equipped with a **UNIVER original all metal construction optical sensor**, which is IP65 and includes a swivel connector which can be orientated in 0° or 90°



# UBP50

UNIVERSAL power clamps

U	B	P	5	0	N	N	U
1	2	3	4	5	6		

<b>1 Series</b>	<b>2 Version</b>	<b>3 Size</b>
-----------------	------------------	---------------

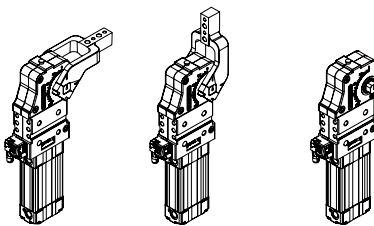
**UB** = UNIVERSAL power clamps fully adjustable opening angle from 0° to 135°

**P** = Pneumatic standard

**50** = ø 50 mm

<b>4 Arm mount position</b>	<b>5 Arm style</b>	<b>6 Sensing style</b>
-----------------------------	--------------------	------------------------

**V** = 90°    **O** = 180°    **N** = no arm

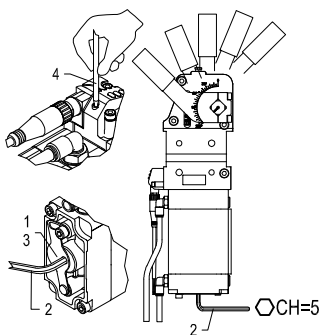
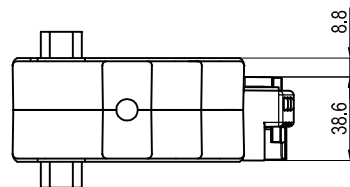
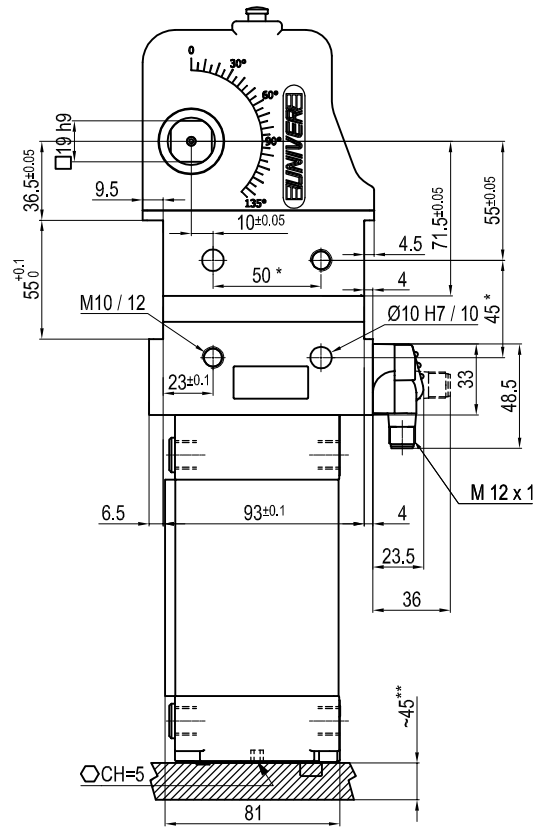
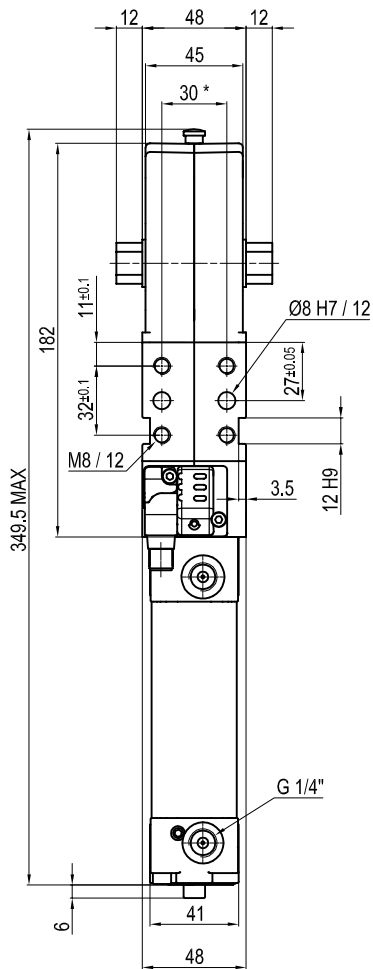


**C** = Central - standard  
**D** = Right - standard  
**S** = Left - standard  
**E** = Central, 45mm from pivot point  
**F** = Right, 45mm from pivot point  
**L** = Left, 45mm from pivot point  
**O** = Central with self-holding system  
**P** = Right with self-holding system  
**Q** = Left with self-holding system  
**N** = No arm  
**X** = Central, oversize dowels Ø 8 H7  
**Y** = Right, oversize dowels Ø 8 H7  
**Z** = Left, oversize dowels Ø 8 H7

**N** = no sensor (with protection plate)  
**U** = Electronic 24 Vdc sensor with M12 swivel connector



## UNIVERSAL Pneumatic power clamp



Bore Ø	Holding moment	Clamping moment	Weight
50 mm	1250 Nm	280 Nm	2.8 Kg

Min./Max. operating pressure: **0,4 / 0,8 MPa**

Operating temperature: **5° + 45° C**

Opening angle: **adjustable from 0° to 135°**

Without arm

Electronic 24 Vdc, sensor with M12 swivel connector that can be orientated at 0° or 90°

Protection Class: **IP 65**

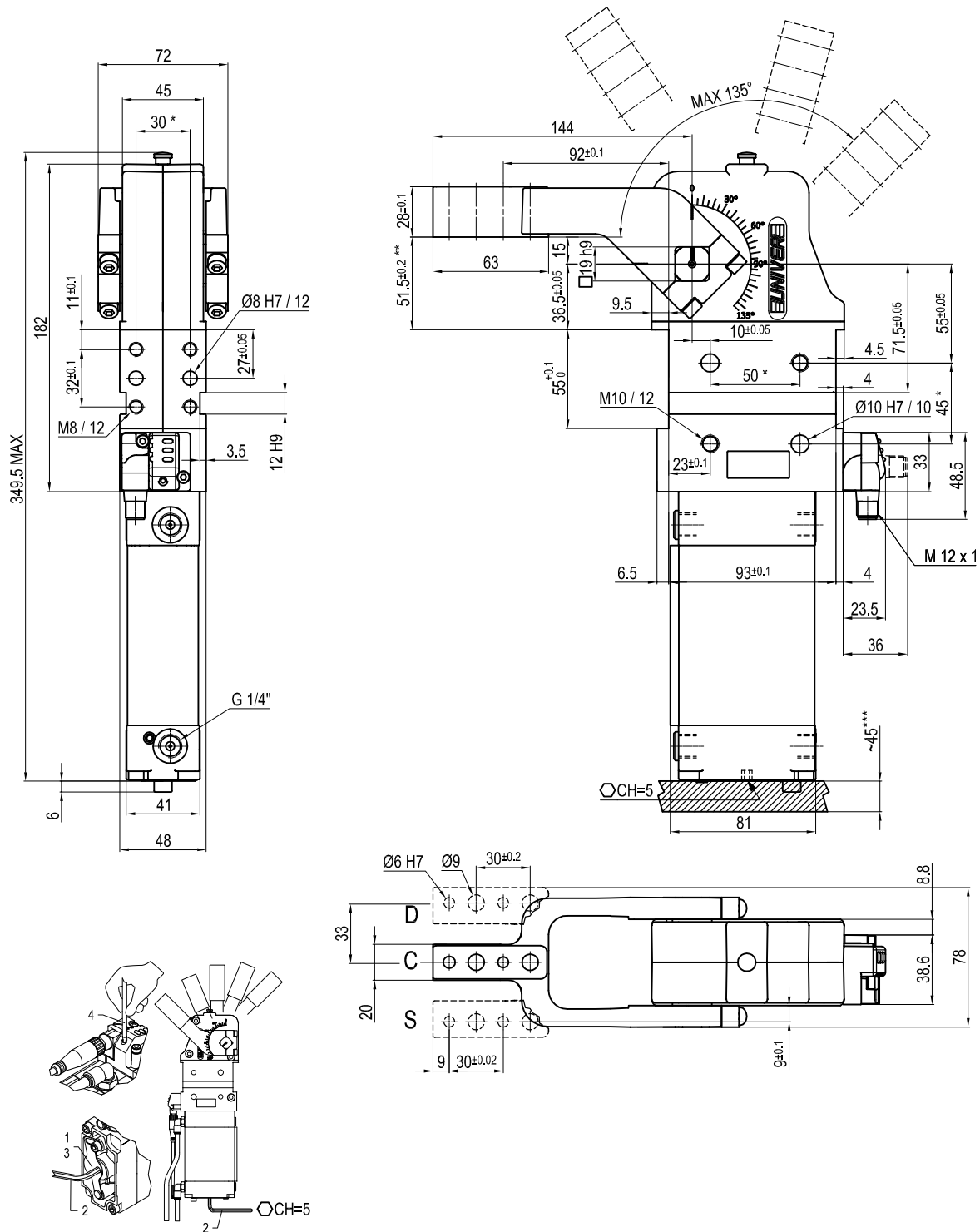
Pneumatic ports on both sides

\* : TOLERANCE BETWEEN DOWELS ± 0.02, TO SCREW HOLES ± 0.1

\*\* : AREA TO ACCESS ANGLE ADJUSTMENT

Subject to technical modifications without notice

## UNIVERSAL Pneumatic power clamp



Bore Ø	Holding moment	Clamping moment	Weight
50 mm	1250 Nm	280 Nm	3.2 Kg

Min./Max. operating pressure: **0,4 / 0,8 MPa**

Operating temperature: **5° + 45° C**

Opening angle: **adjustable from 0° to 135°**

Vertical arm mount position

Electronic 24 Vdc sensor with M12 swivel connector that can be orientated at 0° or 90°

Protection class: **IP 65**

Pneumatic ports on both sides

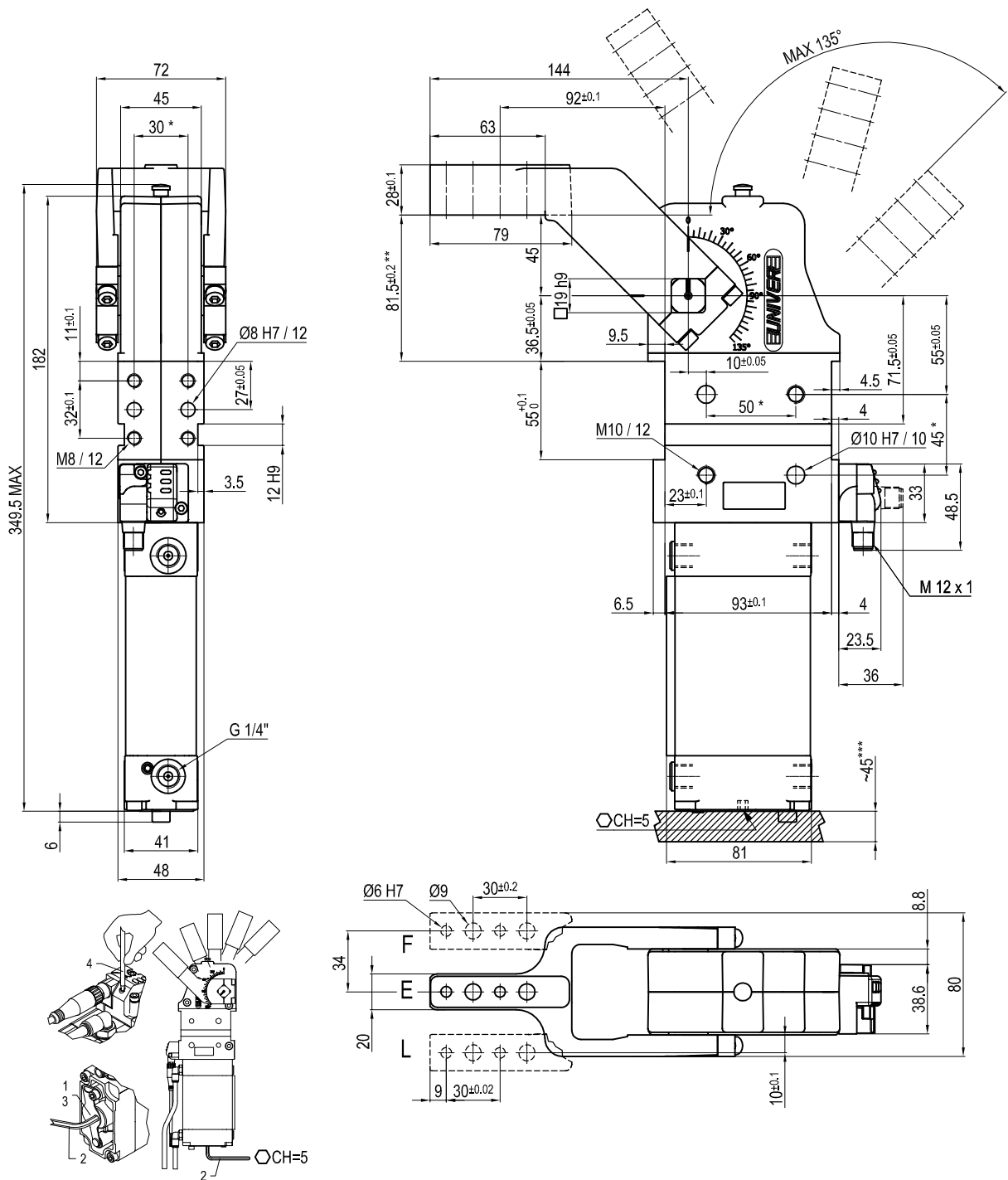
\* : TOLERANCE BETWEEN DOWELS ± 0.02, TO SCREW HOLES ± 0.1

\*\* : TOLERANCE AT 80 mm FROM PIVOT POINT

\*\*\* : AREA TO ACCESS ANGLE ADJUSTMENT

Subject to technical modification without notice.

## UNIVERSAL Pneumatic power clamp arm at 45 mm from pivot point (arm style E-L-F)



Bore Ø	Holding moment	Clamping moment	Weight
50 mm	1250 Nm	280 Nm	3.3 Kg

Min./Max. operating pressure: **0,4 / 0,8 MPa**

Operating temperature: **5° + 45° C**

Opening angle: **adjustable from 0° to 135°**

Vertical arm mount position

Electronic 24 Vdc sensor with M12 swivel connector that can be orientated at 0° or 90°

Protection class: **IP 65**

Pneumatic ports on both sides

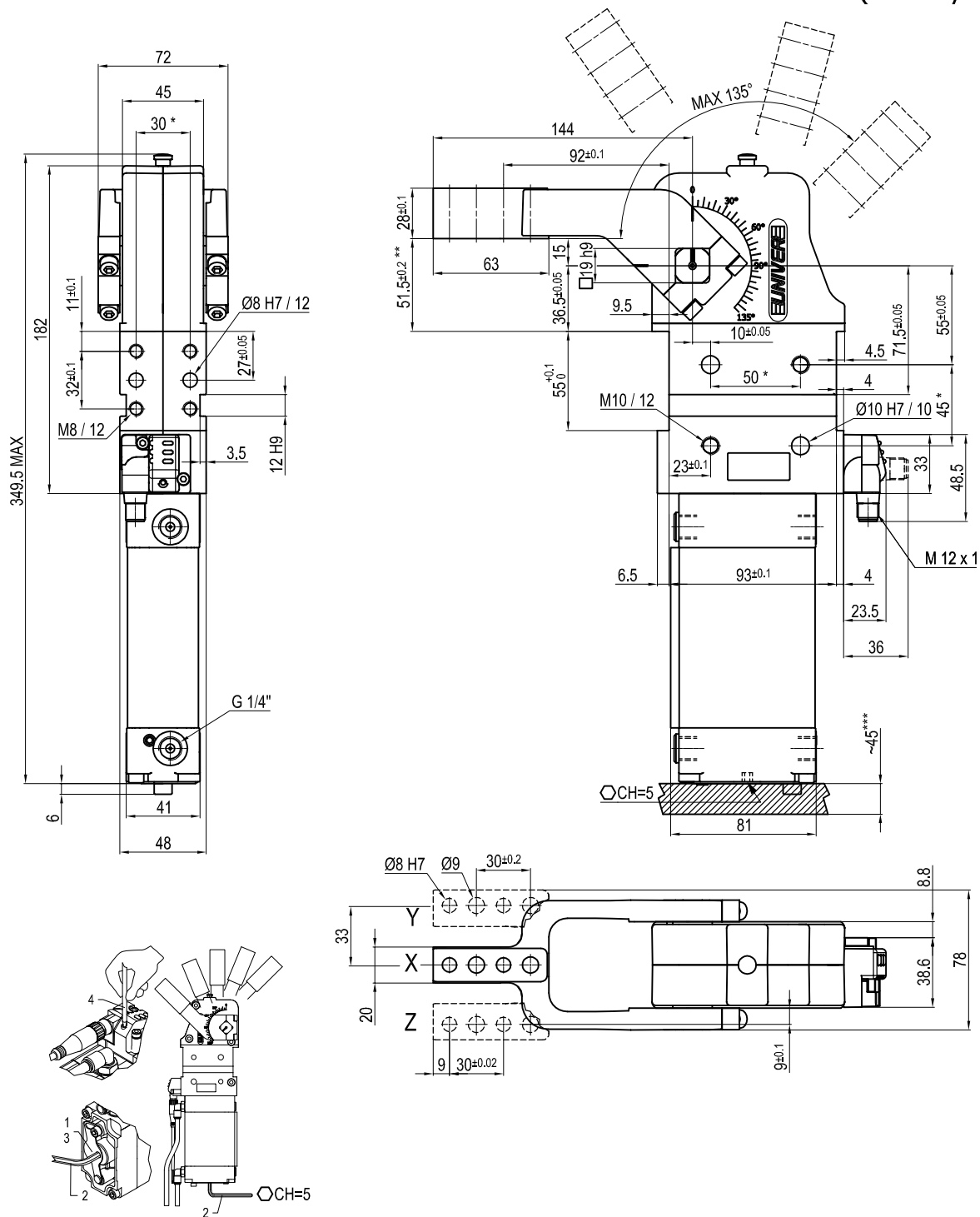
\* : TOLERANCE BETWEEN DOWELS ± 0.02, TO SCREW HOLES ± 0.1

\*\* : TOLERANCE AT 80 mm FROM PIVOT POINT

\*\*\* : AREA TO ACCESS ANGLE ADJUSTMENT

Subject to technical modifications without notice.

## UNIVERSAL Pneumatic power clamp (arm style X-Y-Z)



Bore Ø	Holding moment	Clamping moment	Weight
50 mm	1250 Nm	280 Nm	3.2 Kg

Min./Max. operating pressure: **0,4 / 0,8 MPa**

Operating temperature: **5° ± 45° C**

Opening angle: **adjustable from 0° to 135°**

Vertical arm mount position

Electronic 24 Vdc sensor with M12 swivel connector that can be orientated at 0° or 90°

Protection class: **IP 65**

Pneumatic ports on both sides

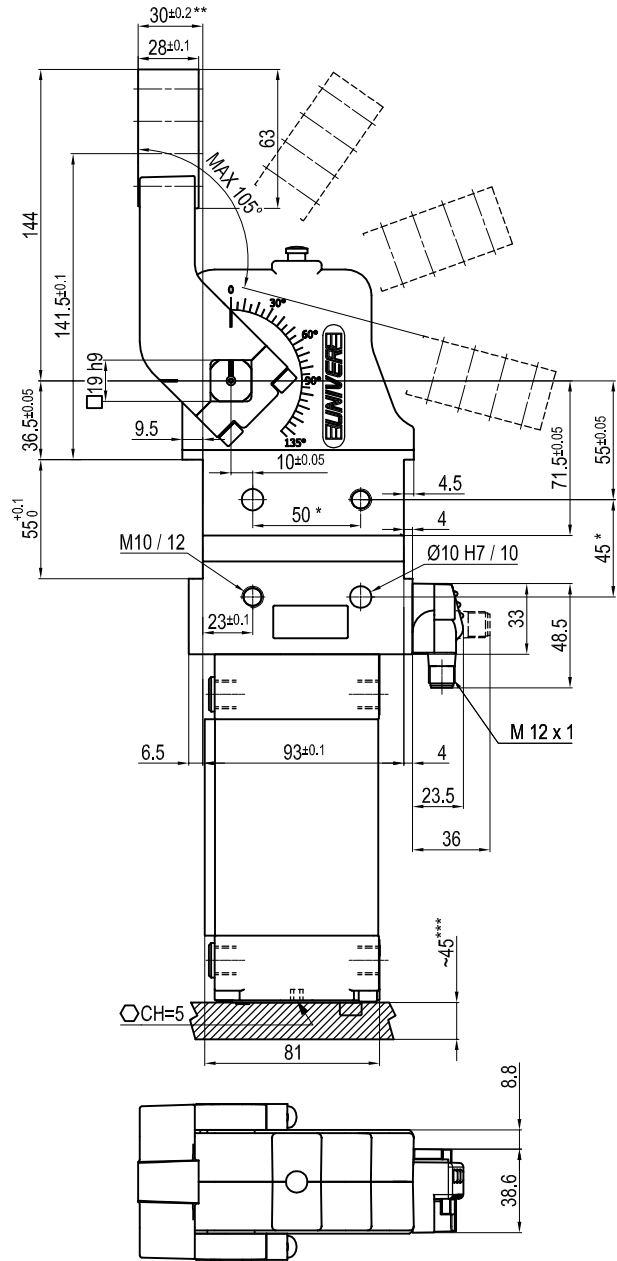
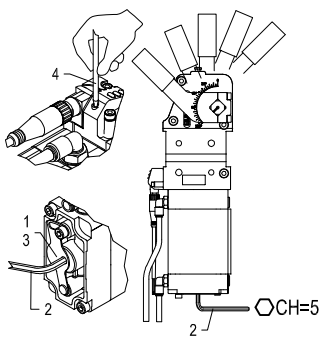
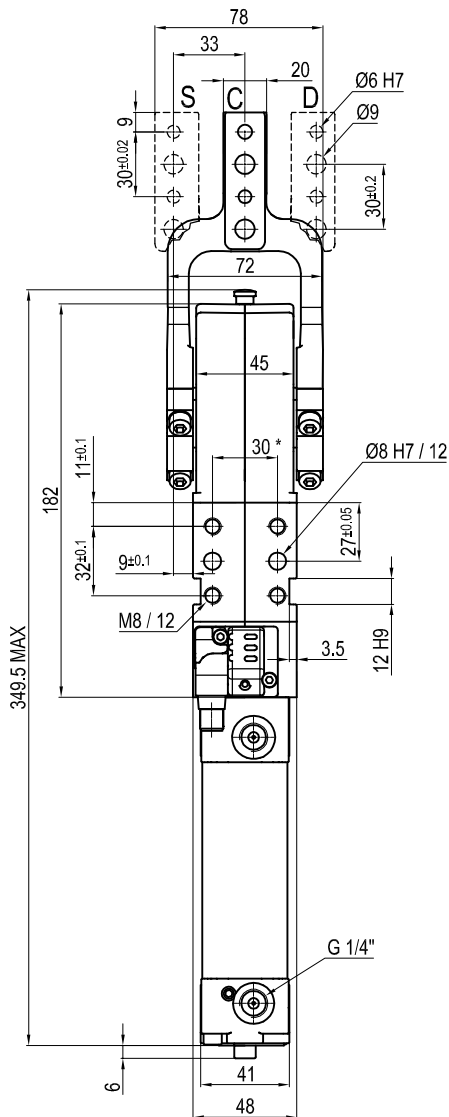
\* : TOLERANCE BETWEEN DOWELS ± 0.02, TO SCREW HOLES ± 0.1

\*\* : TOLERANCE AT 80 mm FROM PIVOT POINT

\*\*\* : AREA TO ACCESS ANGLE ADJUSTMENT

Subject to technical modification without notice.

## UNIVERSAL Pneumatic power clamp



Bore Ø	Holding moment	Clamping moment	Weight
50 mm	1250 Nm	280 Nm	3.2 Kg

Min./Max. operating pressure: **0,4 / 0,8 MPa**

Operating temperature: **5° + 45° C**

Opening angle: **adjustable from 0° to 105°**

Horizontal arm mount position

Electronic 24 Vdc sensor with M12 swivel connector that can be orientated at 0° or 90°

Protection class: **IP 65**

Pneumatic ports on both sides

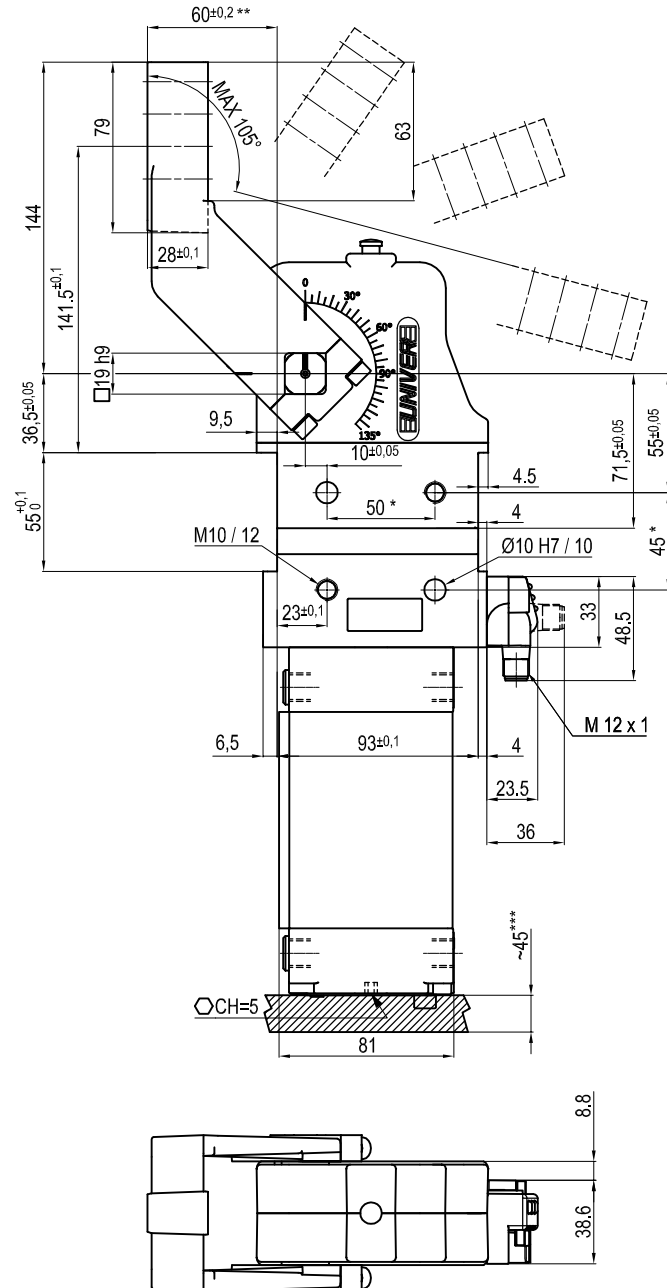
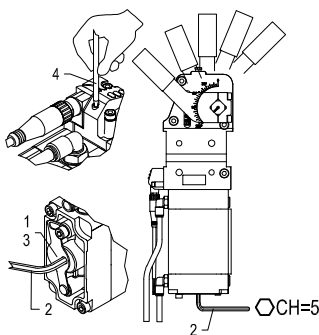
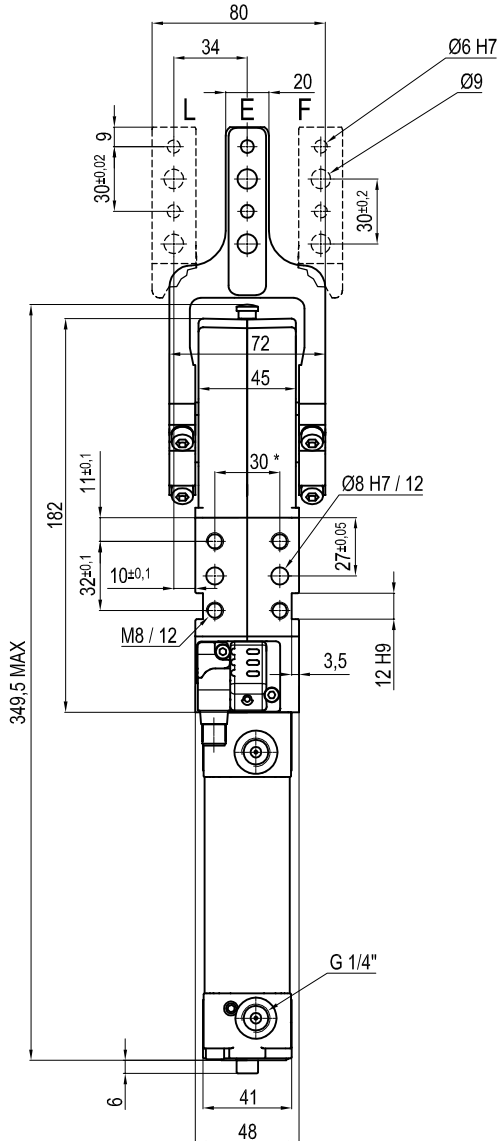
\* : TOLERANCE BETWEEN DOWELS ± 0.02, TO SCREW HOLES ± 0.1

\*\* : TOLERANCE AT 80 mm FROM PIVOT POINT

\*\*\* : AREA TO ACCESS ANGLE ADJUSTMENT

Subject to technical modification without notice.

## UNIVERSAL Pneumatic power clamp arm at 45 mm from pivot point (arm style E-L-F)



Bore Ø	Holding moment	Clamping moment	Weight
50 mm	1250 Nm	280 Nm	3.3 Kg

Min./Max. operating pressure: **0,4 / 0,8 MPa**

Operating temperature: **5° + 45° C**

Opening angle: **adjustable from 0° to 105°**

Horizontal arm mount position

Electronic 24 Vdc sensor with M12 swivel connector that can be orientated at 0° or 90°

Protection class: **IP 65**

Pneumatic ports on both sides

\* : TOLERANCE BETWEEN DOWELS ± 0.02, TO SCREW HOLES ± 0.1

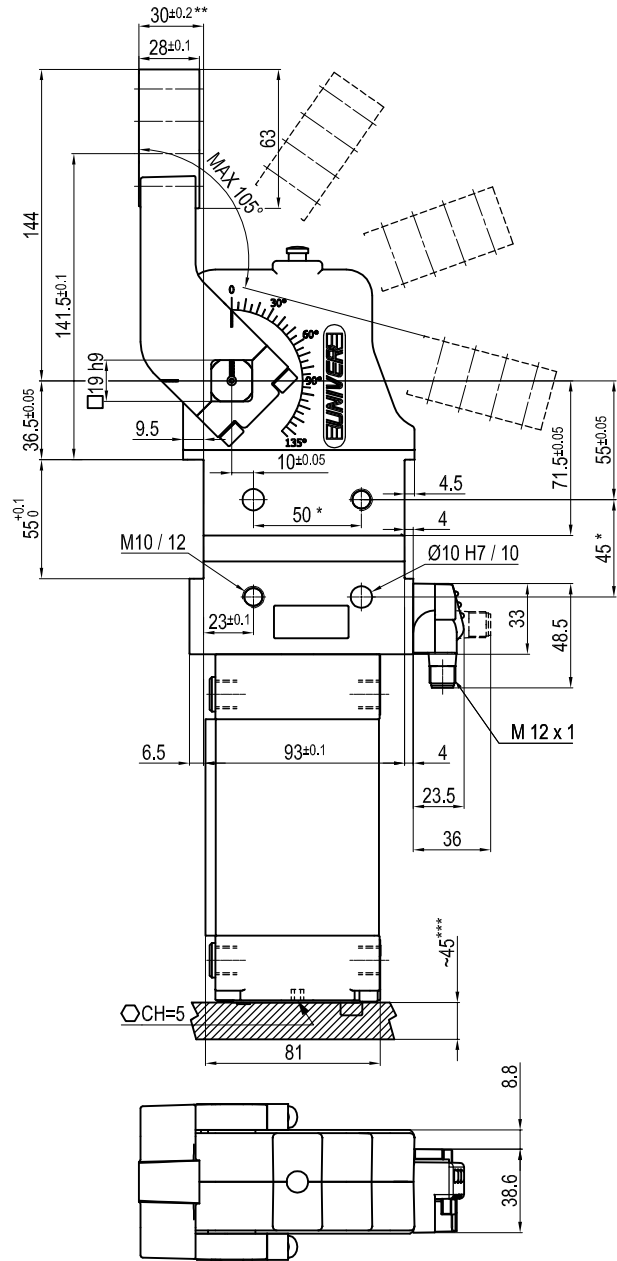
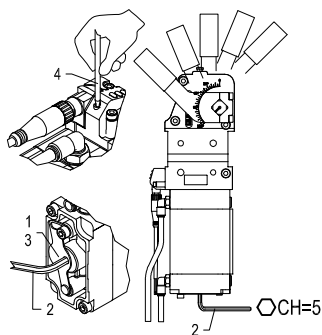
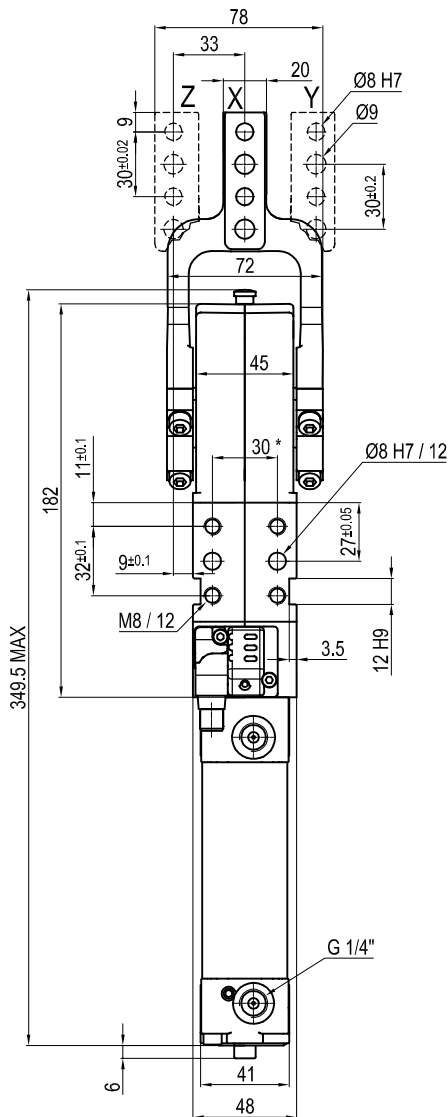
\*\* : TOLERANCE AT 80 mm FROM PIVOT POINT

\*\*\* : AREA TO ACCESS ANGLE ADJUSTMENT

Subject to technical modifications without notice.



## UNIVERSAL Pneumatic power clamp (arm style X-Y-Z)



Bore Ø	Holding moment	Clamping moment	Weight
50 mm	1250 Nm	280 Nm	3.2 Kg

Min./Max. operating pressure: **0,4 / 0,8 MPa**

Operating temperature: **5° ± 45° C**

Opening angle: **adjustable from 0° to 105°**

Horizontal arm mount position

Electronic 24 Vdc sensor with M12 swivel connector that can be orientated at 0° or 90°

Protection class: **IP 65**

Pneumatic ports on both sides

\* : TOLERANCE BETWEEN DOWELS ± 0.02, TO SCREW HOLES ± 0.1

\*\* : TOLERANCE AT 80 mm FROM PIVOT POINT

\*\*\* : AREA TO ACCESS ANGLE ADJUSTMENT

Subject to technical modification without notice.