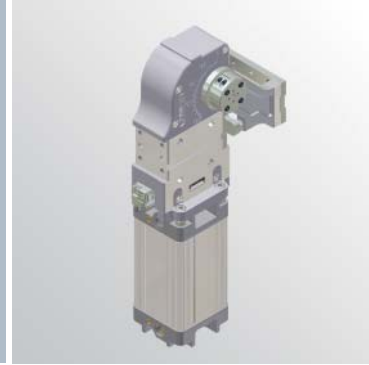


LAGP120

Power pivot



L	A	G	P	1	2	0	V	U	0	9	0	B
1		2	3			4	5	6			7	

1 Series	2 Version	3 Size
-----------------	------------------	---------------

LAG = Power pivot with predetermine pivot rotation in degrees

P = Pneumatic standard

120

4 Table position	5 Sensing style	6 Pivot rotation in degrees
-------------------------	------------------------	------------------------------------

V = Vertical 180°

O = Horizontal 90°

Z = Vertical mount style symmetrical to V mount style.

Max opening angle 120°

P = Horizontal mount style symmetrical to O mount style.

Max. opening angle 60°

U = Electronic 24 Vcc sensor with M12 swivel connector

120 = 120°

090 = 90°

060 = 60°

045 = 45°

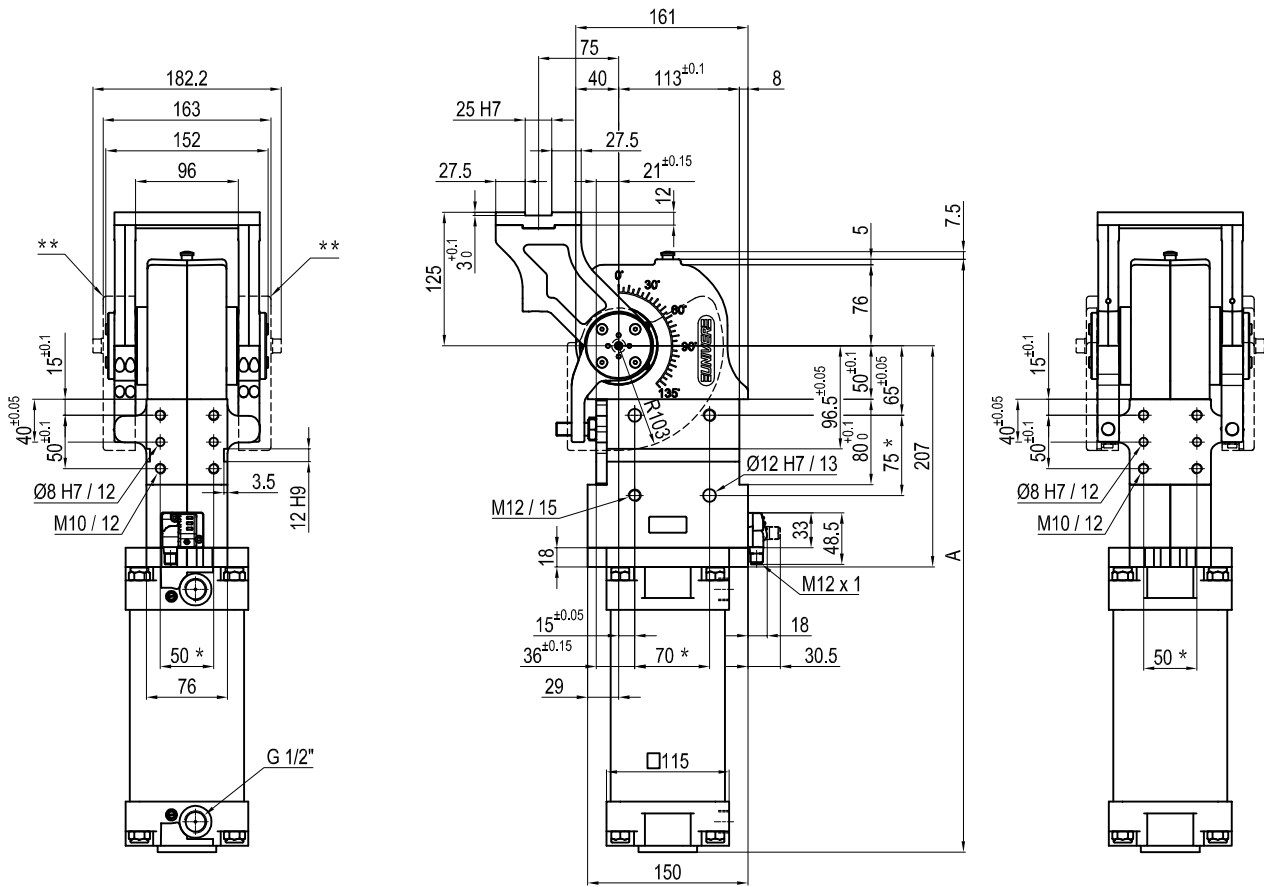
7 Brake system

B = Safety brake included

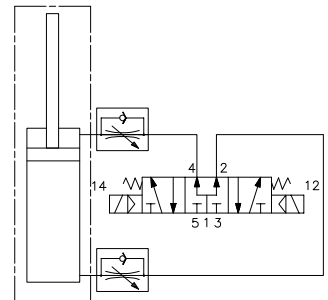
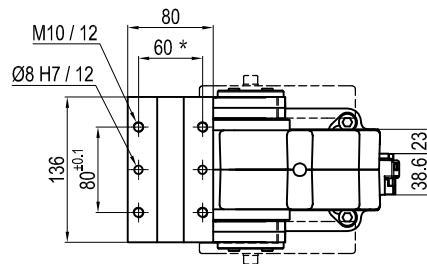
W = Without safety brake



Pneumatic power pivot



Pivot rotation in degrees	A
45°	493.5
60°	505
90°	530
120°	555



Size	Holding moment	Max. torque at the rotary table 0,55 MPa	Weight
120	4000 Nm	120 Nm	16.7 Kg

Min./Max. operating pressure: **0,4 / 0,8 MPa**

Operating temperature: **5° ÷ 45° C**

Predeterminate pivot rotation in degrees: **45° - 60° - 90° - 120°**

Horizontal arm mount position

Electronic 24 Vdc sensor with M12 swivel connector that can be orientated at 0° or 90°

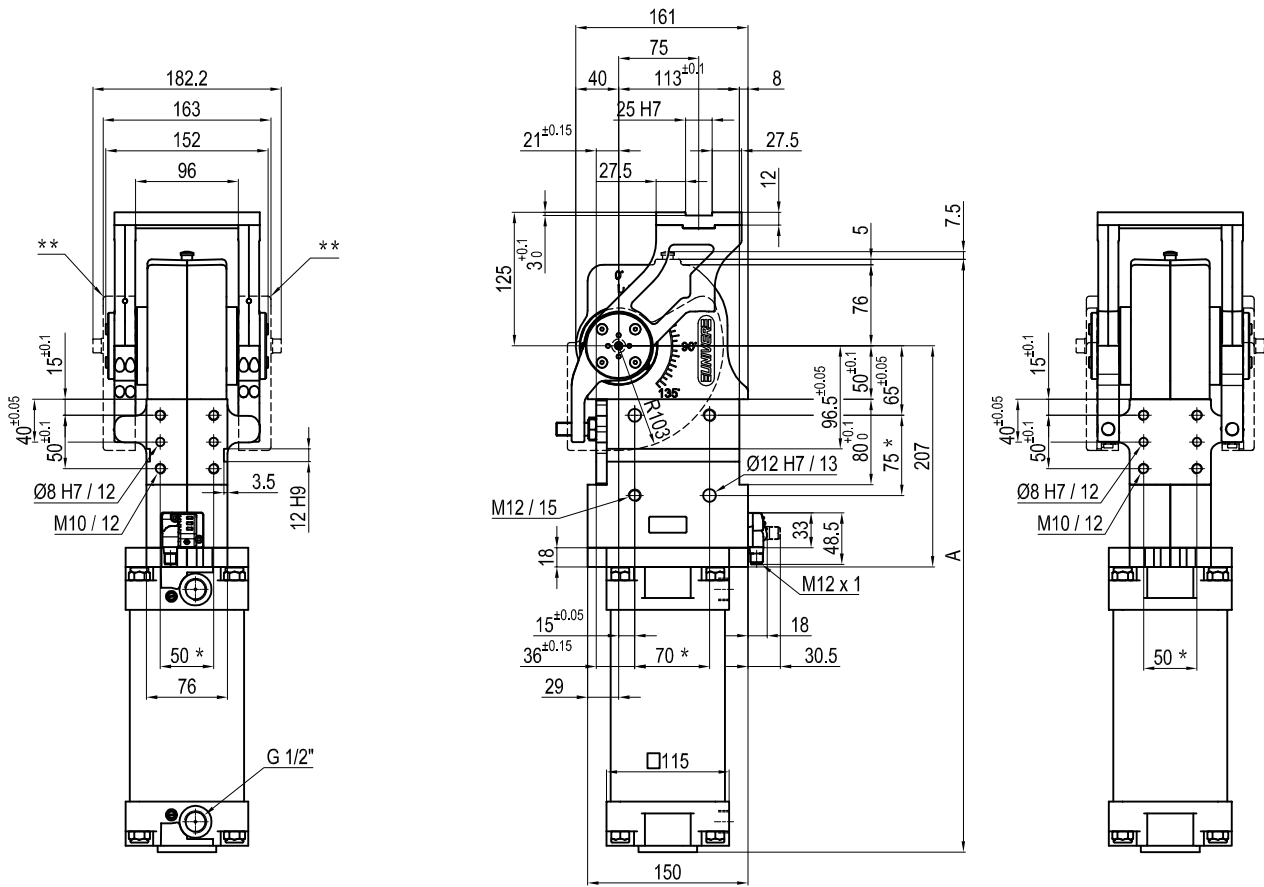
Protection class: **IP 65**

* : TOLERANCE BETWEEN DOWEL HOLES ± 0.02, TO SCREW HOLES ± 0.1

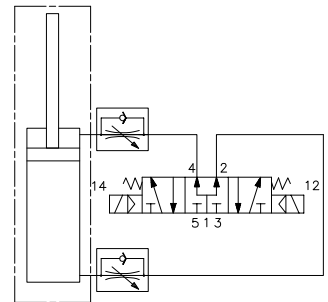
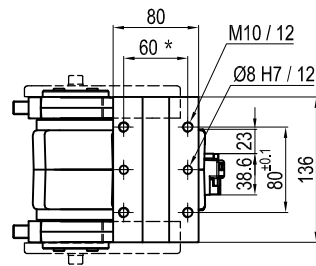
** : TO BE ORDERED SEPARATELY

Subject to technical modifications without notice.

Pneumatic power pivot



Pivot rotation in degrees	A
45°	493.5
60°	505



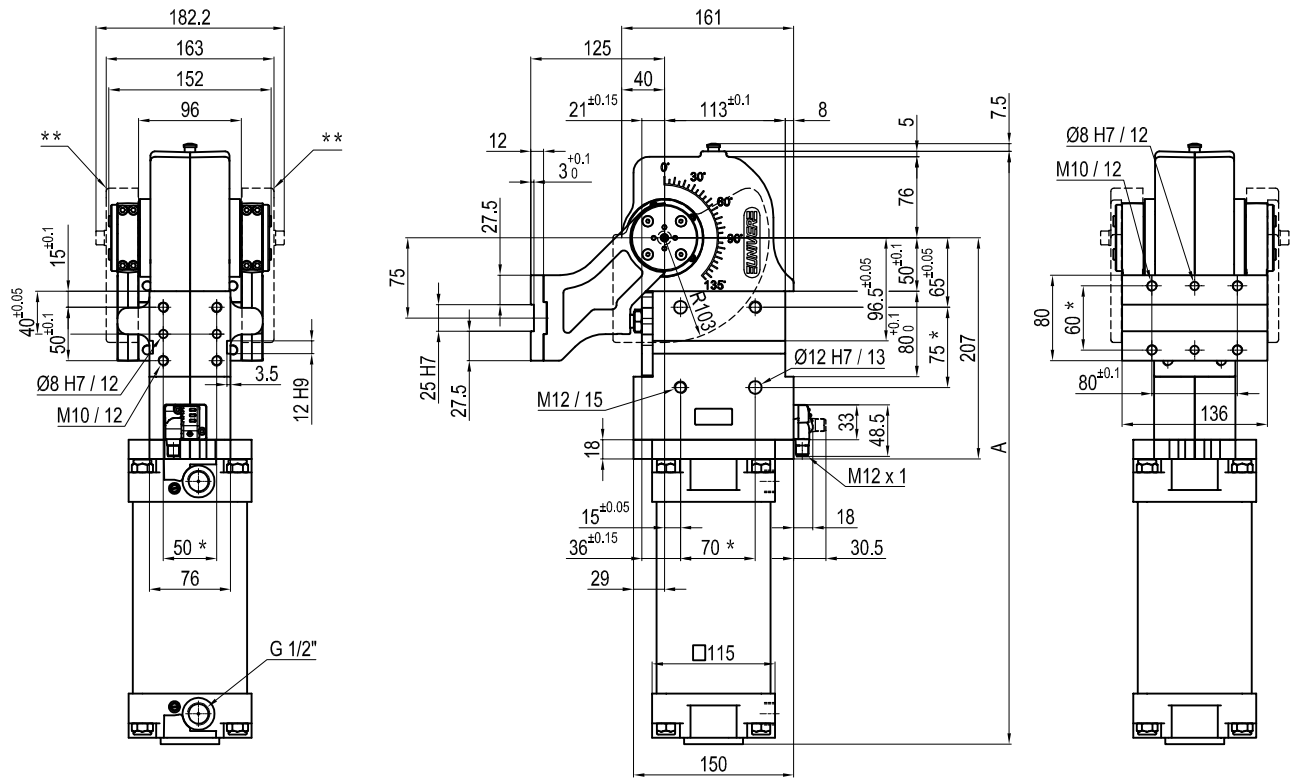
Size	Holding moment	Max. torque at the rotary table 0,55 MPa	Weight
120	4000 Nm	120 Nm	16.7 Kg

Min./Max. operating pressure: **0,4 / 0,8 MPa**
 Operating temperature: **5° ÷ 45° C**
 Predetermine pivot rotation in degrees: **45° - 60° - 90° - 120°**
 Horizontal arm mount position
 Electronic 24 Vdc sensor with M12 swivel connector that can be orientated at 0° or 90°
 Protection class: **IP 65**

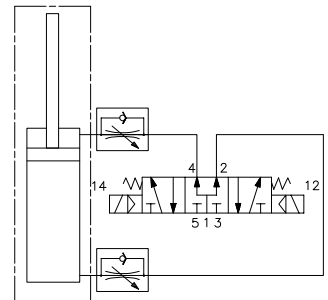
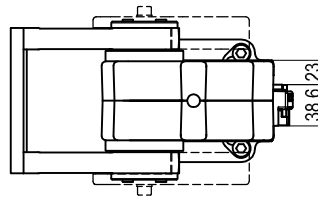
* : TOLERANCE BETWEEN DOWEL HOLES ± 0.02, TO SCREW HOLES ± 0.1
 ** : TO BE ORDERED SEPARATELY

Subject to technical modifications without notice.

Pneumatic power pivot



Pivot rotation in degrees	A
45°	493.5
60°	505
90°	530
120°	555



Size	Holding moment	Max. torque at the rotary table 0,55 MPa	Weight
120	4000 Nm	120 Nm	16.7 Kg

Min./Max. operating pressure: **0,4 / 0,8 MPa**

Operating temperature: **5° ÷ 45° C**

Predetermine pivot rotation in degrees: **45° - 60° - 90° - 120°**

Vertical arm mount position

Electronic 24 Vdc sensor with M12 swivel connector that can be orientated at 0° or 90°

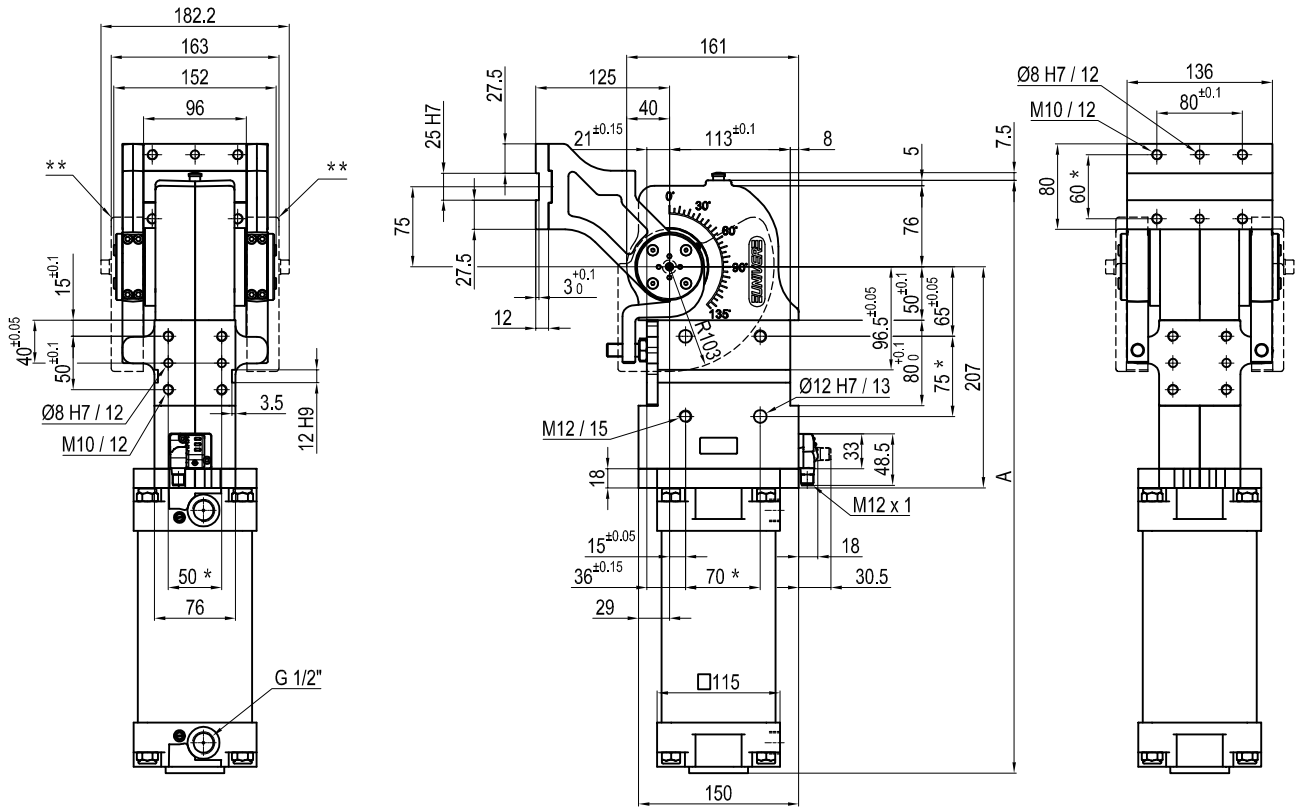
Protection class: **IP 65**

* : TOLERANCE BETWEEN DOWEL HOLES ± 0.02, TO SCREW HOLES ± 0.1

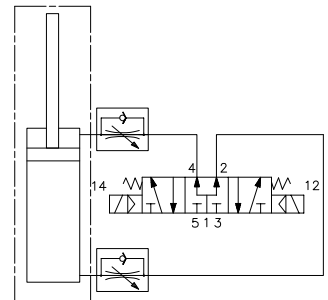
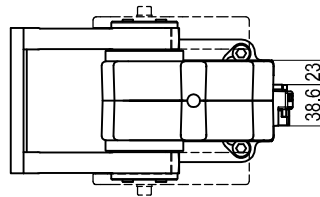
** : TO BE ORDERED SEPARATELY

Subject to technical modifications without notice.

Pneumatic power pivot



Pivot rotation in degrees	A
45°	493.5
60°	505
90°	530
120°	555



Size	Holding moment	Max. torque at the rotary table 0,55 MPa	Weight
120	4000 Nm	120 Nm	16.7 Kg

Min./Max. operating pressure: **0,4 / 0,8 MPa**

Operating temperature: **5° ÷ 45° C**

Predetermine pivot rotation in degrees: **45° - 60° - 90° - 120°**

Vertical arm mount position

Electronic 24 Vdc sensor with M12 swivel connector that can be orientated at 0° or 90°

Protection class: **IP 65**

* : TOLERANCE BETWEEN DOWEL HOLES ± 0.02, TO SCREW HOLES ± 0.1

** : TO BE ORDERED SEPARATELY

Subject to technical modifications without notice.