

# ЕЛЕКТРОЛУКС Electrolux

## Crankcase Heaters



U.L. Recognized - Guide SEOT2, file SA4093 for use in air conditioning equipment.  
C.S.A. Certified - Guide 165-E-90, file 016386-0-000 for use in air conditioning equipment.

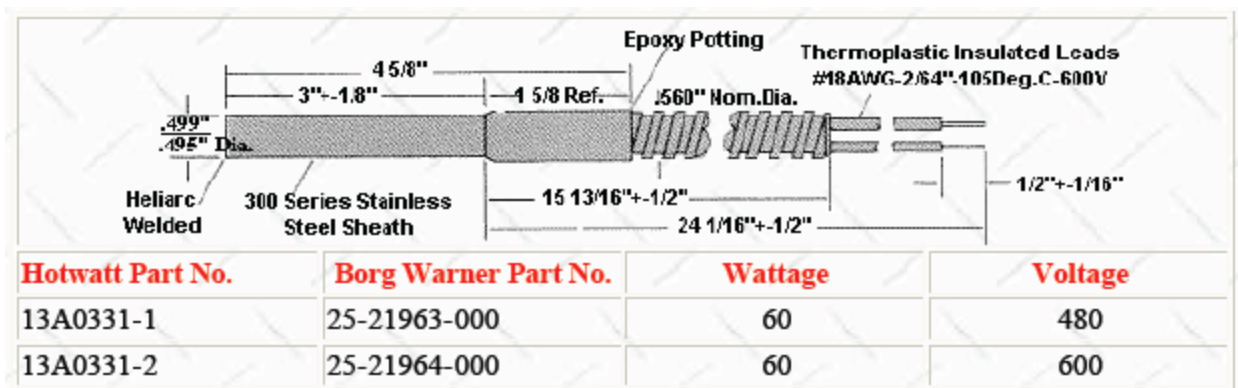
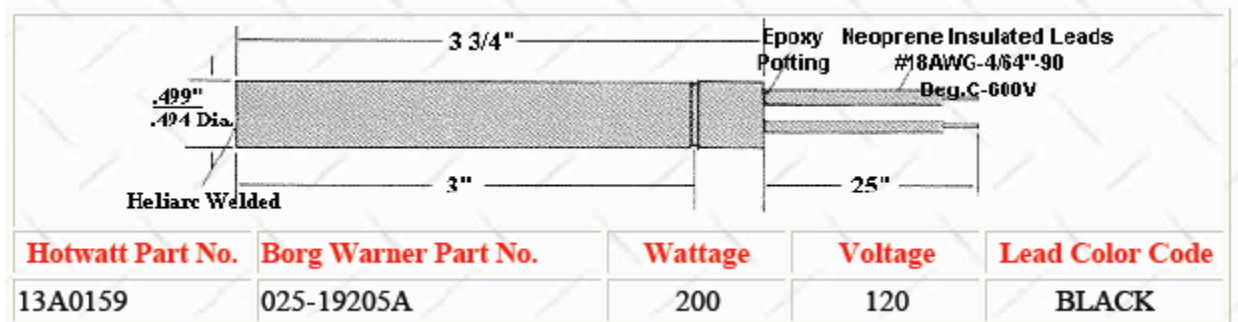
### Applications:

Crankcase heaters are used to overcome the problem of migration and condensation of refrigerant in the crankcases of compressors used in air conditioning and heat pump systems. They are designed to keep the crankcase oil at a temperature higher than the coldest part of the system to prevent migration.

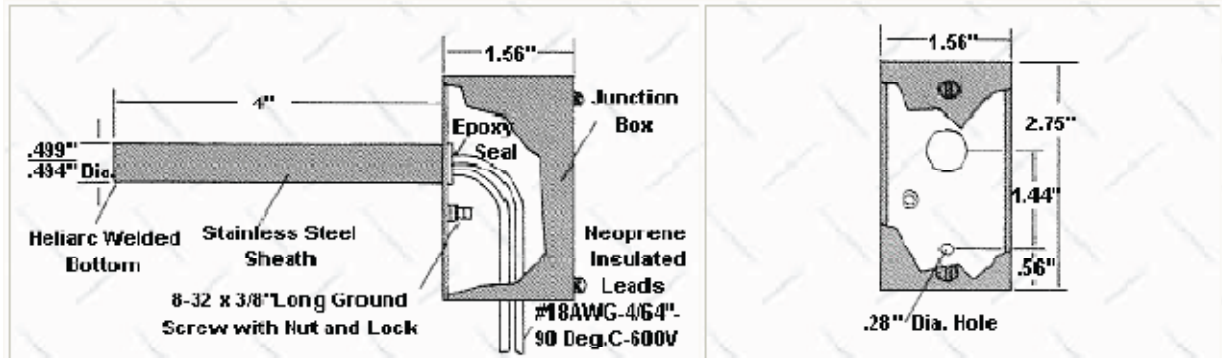
### Features:

- Electrolux Macedonia Crankcase Heaters are constructed of the highest quality corrosion resistance materials and sealed against moisture.

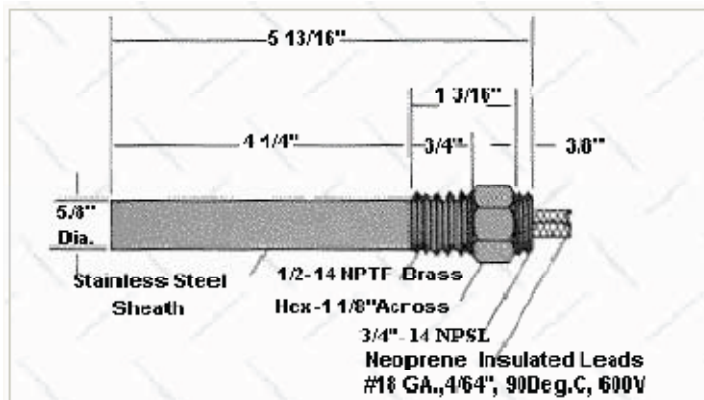
## Crankcase Heaters: Borg Warner Compressors



# ΕΛΕΚΤΡΟΛΥΚΣ Electrolux



Hotwatt Part No.	Borg Warner Part No.	Wattage	Voltage	Lead Color Code
13A7251-6	025-1934-7C-002	200	240	RED
13A7251-5	025-1934-7C-001	200	120	BLACK



**Y:** 1-1/4" Female quick connect.  
1-#10 Ring Terminals



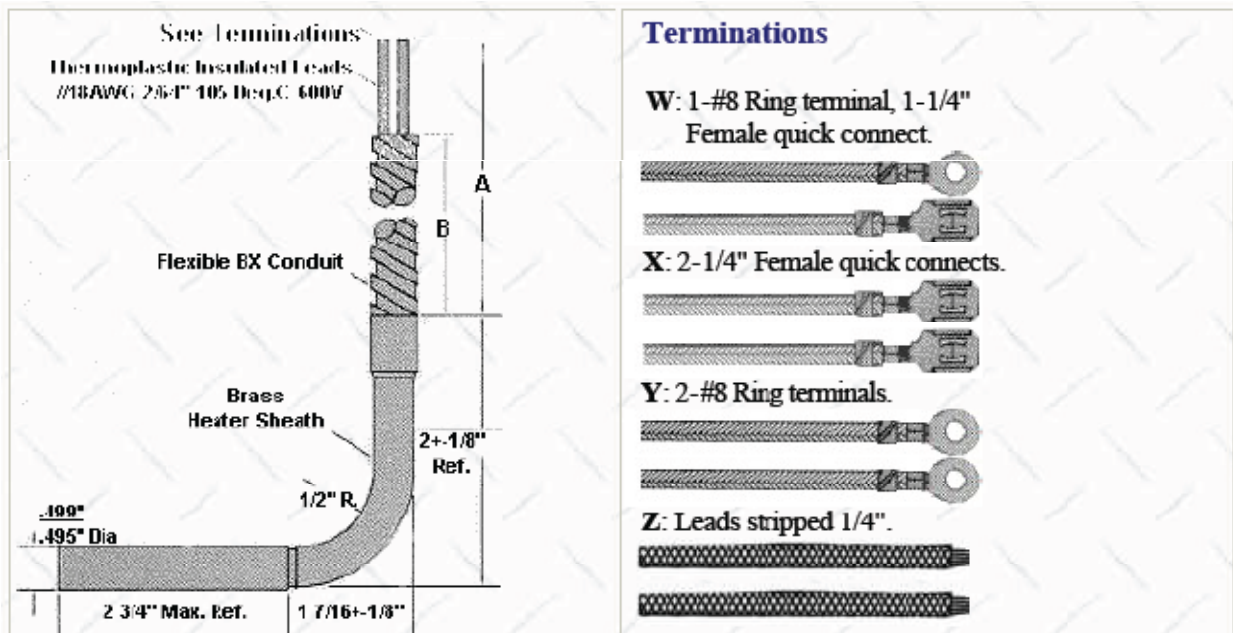
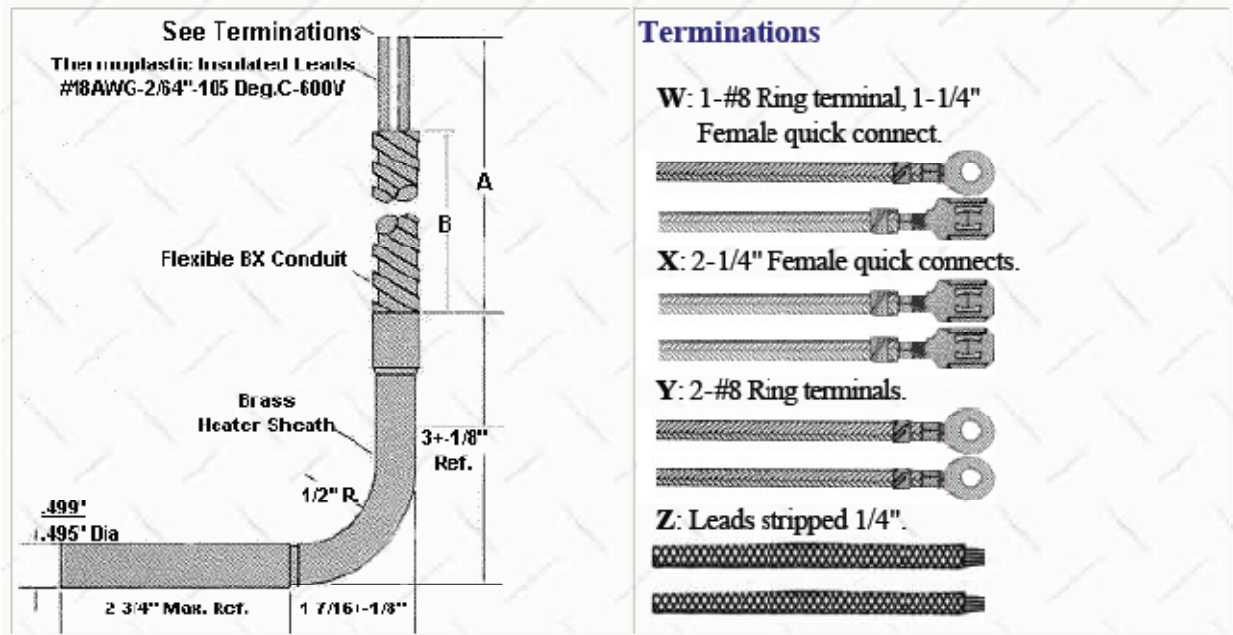
**Z:** Leads stripped 5/8".



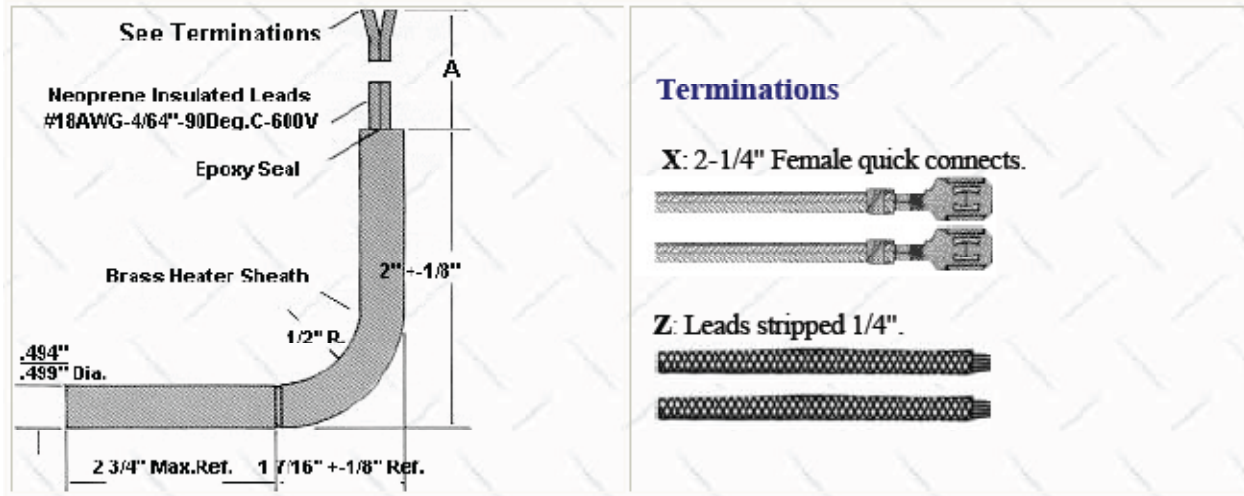
Hotwatt Part No.	Borg Warner Part No.	Wattage	Voltage	Lead Options	Lead Length
13J2401-1	025-14220	100	240	Y	53" & 48"
13J2401-2	025-12335	100	240	Z	16"
13J2401-3	025-16313	100	240	Z	60"
13J2401-4	025-18611	100	120	Z	34"

# ЕЛЕКТРОЛУКС Electrolux

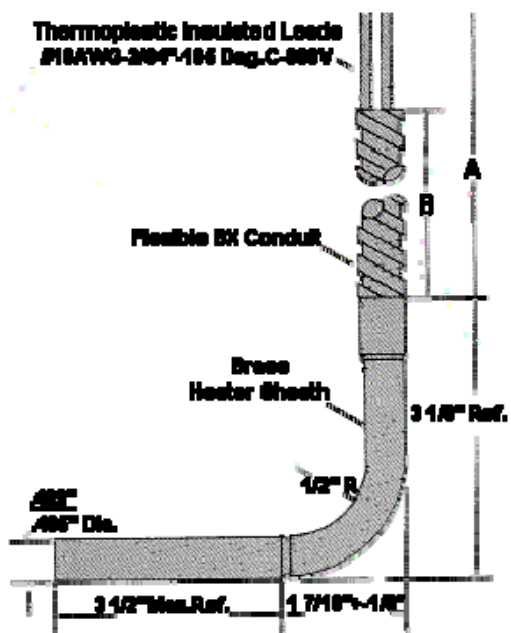
## Crankcase Heaters: Carrier Compressors



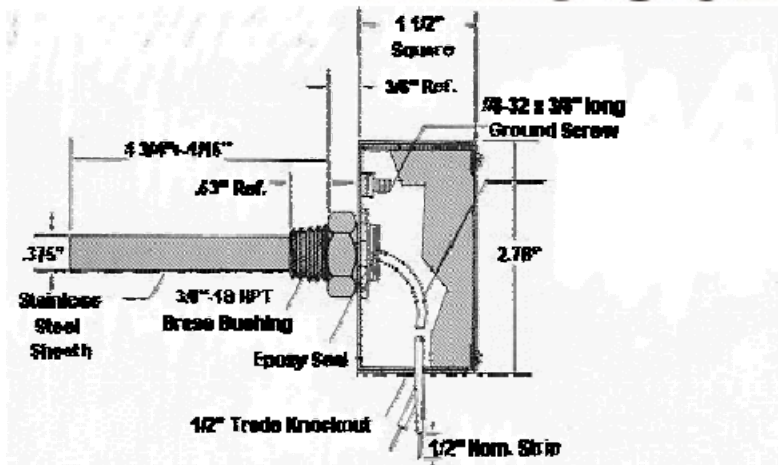
# ЕЛЕКТРОЛУКС Electrolux



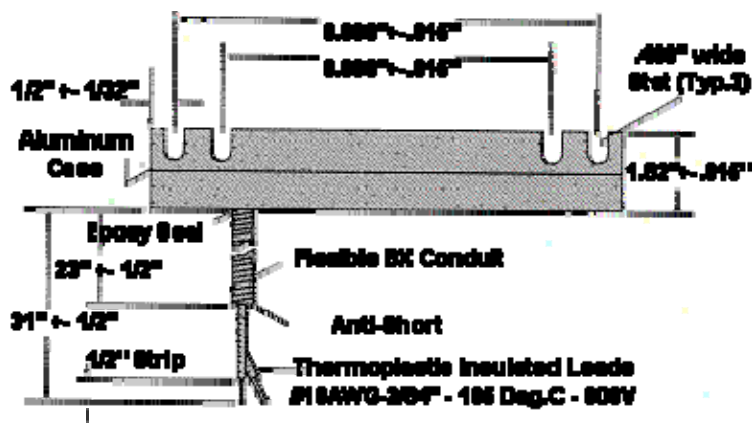
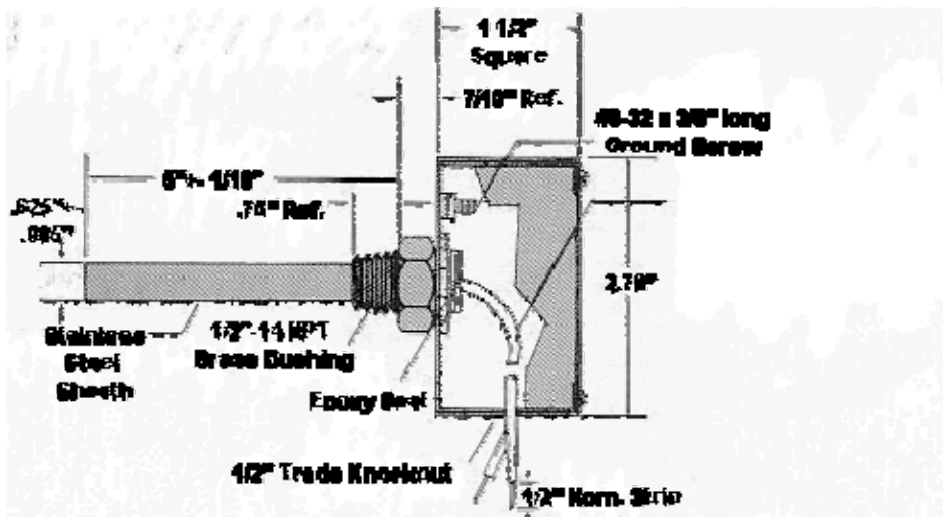
## Crankcase Heaters: Copeland Compressors



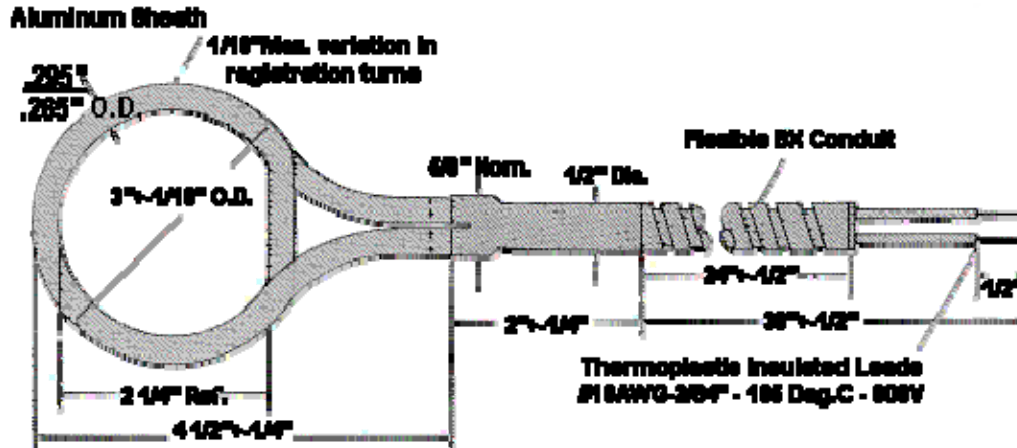
# ЕЛЕКТРОЛУКС Electrolux



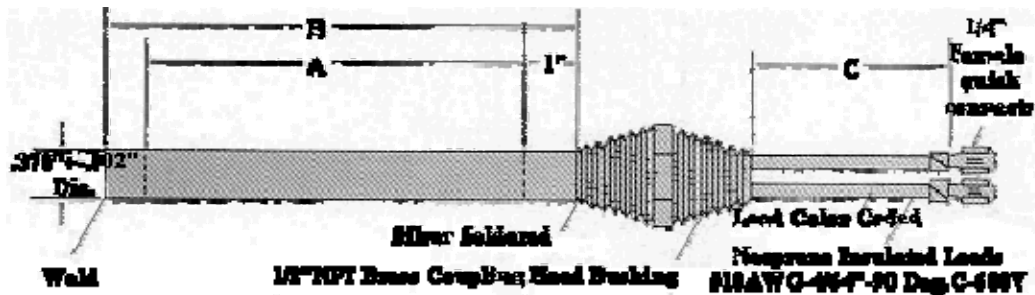
518-0028 Series



# EJEKTPOJYKC Electrolux

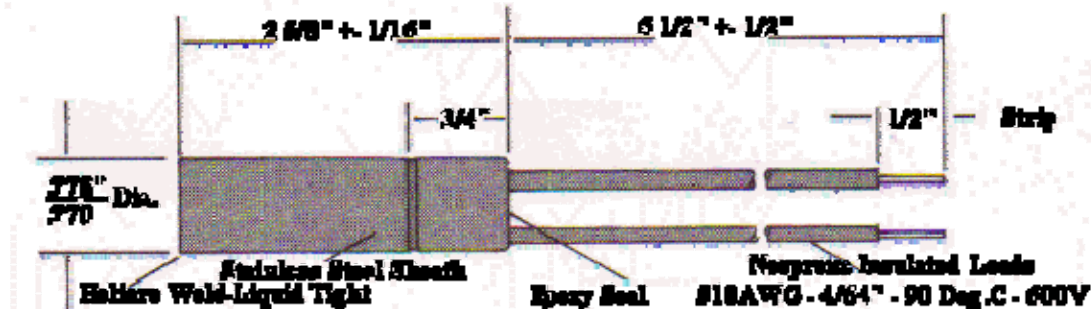


## Crankcase Heaters: Fedders Compressors



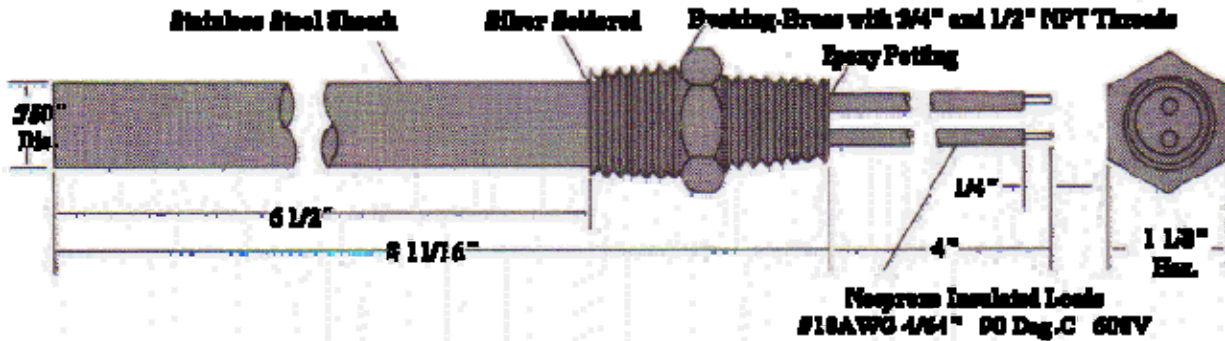
Hotwatt Part No.	Westinghouse Part No.	Wattage	Voltage	Lead Color Code	A	B	C
13A6580-10	16-06-0217B-006	200	480	RED	2 1/8	3 3/8	54
13A6580-9	16-06-0217B-005	200	240	BLACK	2 1/8	3 3/8	54
13A6580-8	16-06-0217B-004	200	120	ORANGE	2 1/8	3 3/8	54
13A6580-7	16-06-0217B-002	275	240	BLACK	5 1/8	6 3/8	48
13A6580-6	16-06-0217B-001	275	120	ORANGE	5 1/8	6 3/8	48
13A6580-5	16-06-0217B-003	275	480	RED	5 1/8	6 3/8	48

## Crankcase Heaters: Trane Compressors

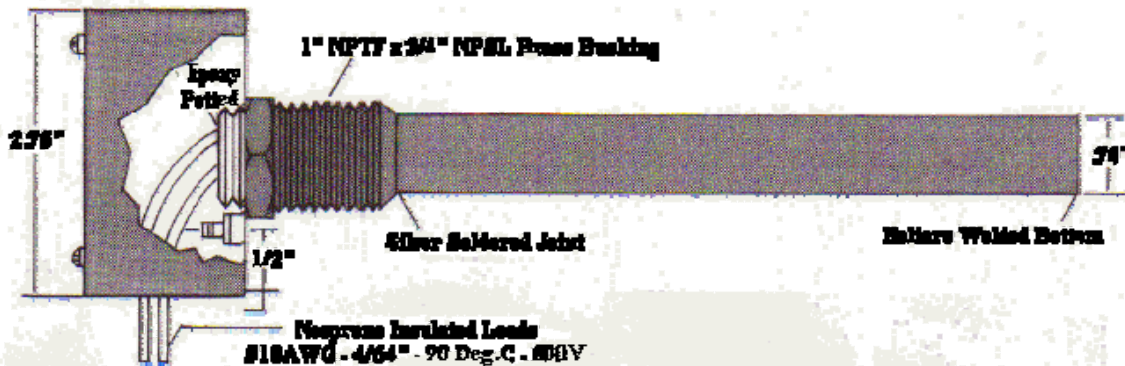
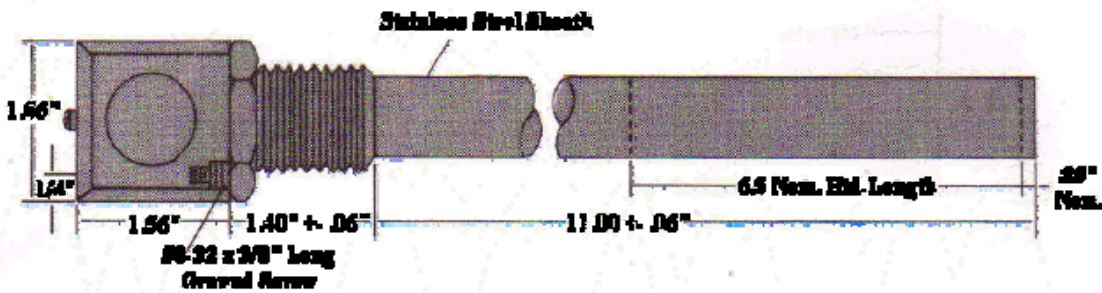


# EJEKTPOJYKC Electrolux

Hotwatt Part No.	Trane Part No.	Wattage	Voltage
13J2500-4	13140419-04	60	380
13J2500-3	13140419-03	60	575
13J2500-2	13140419-02	60	460
13J2500-1	13140419-01	60	230

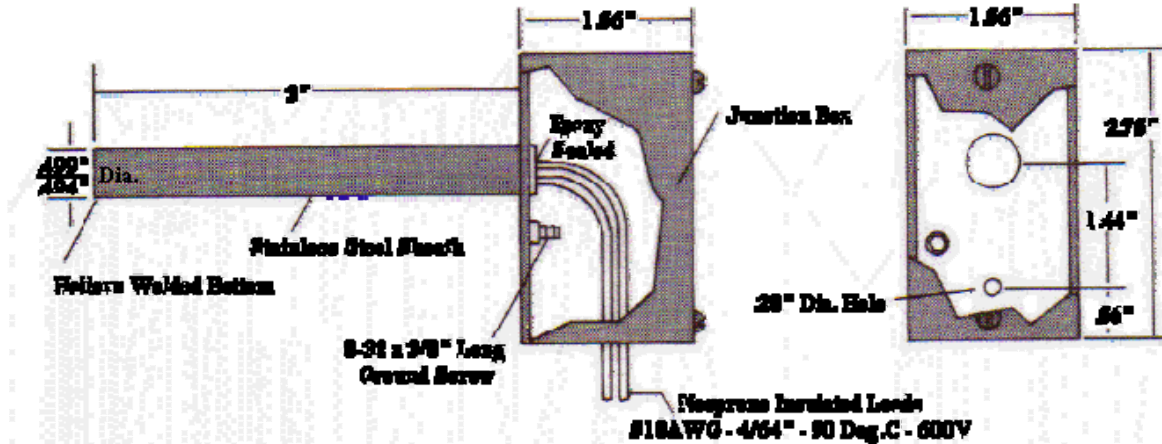


Hotwatt Part No.	Trane Part No.	Wattage	Voltage
13E6016-1	X13140587-01	75	220
13E6016-2	X13140587-02	75	37
13E6016-3	X13140587-03	75	115

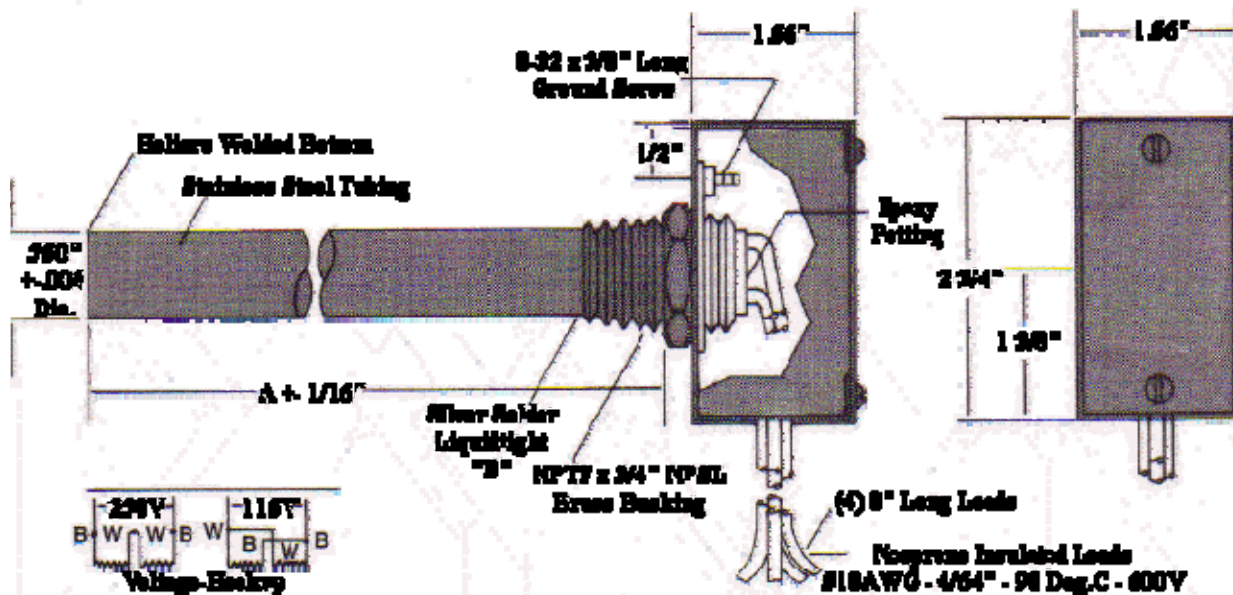


# EJEKTPOJYKC Electrolux

Hotwatt Part No.	Trane Part No.	Wattage	Voltage
13A0260-2	X13140396-02	140	240
13A0260-1	X13140396-01	140	120



Hotwatt Part No.	Trane Part No.	Wattage	Voltage	Color Code Leads
13A7251-4	13140113	100	240	RED
13A7251-3	13140114	100	120	BLACK
13A7251-2	13120181	75	240	RED
13A7251-1	13120180	75	120	BLACK

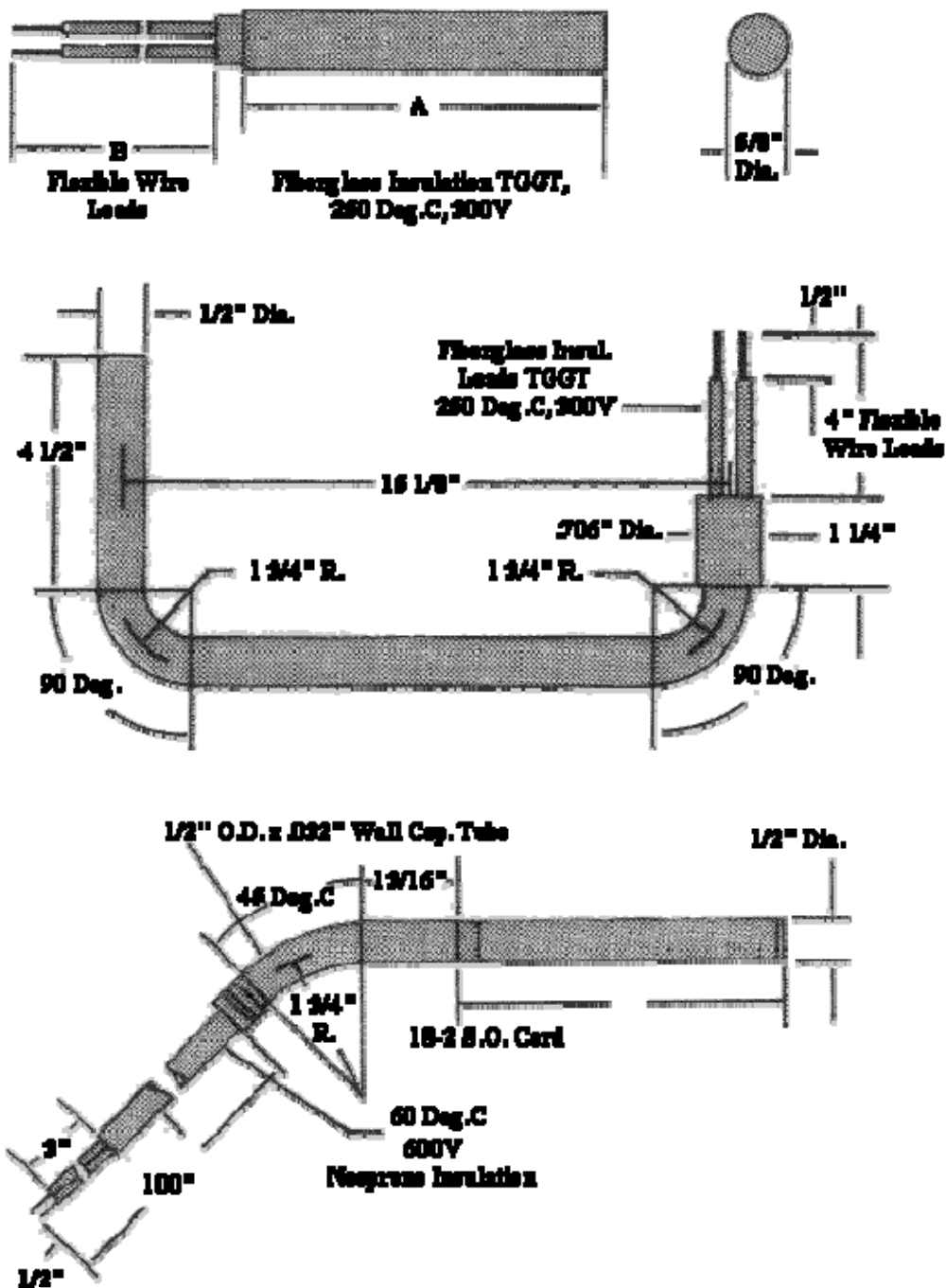


Hotwatt Part No.	Trane Part No.	Wattage	Voltage	A	B
13J1501-1	13140159-01	100	115/230	7 1/4"	3/4" NPTF
13J1501-2	13140159-02	100	115/230	11"	1" NPTF

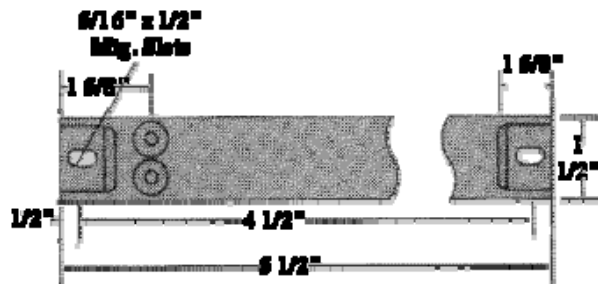
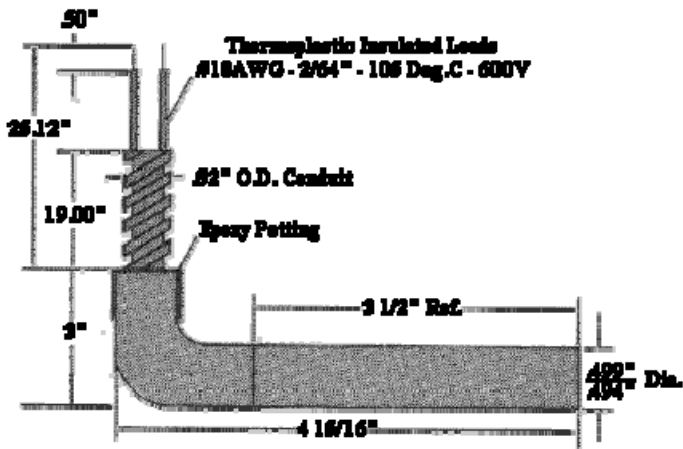
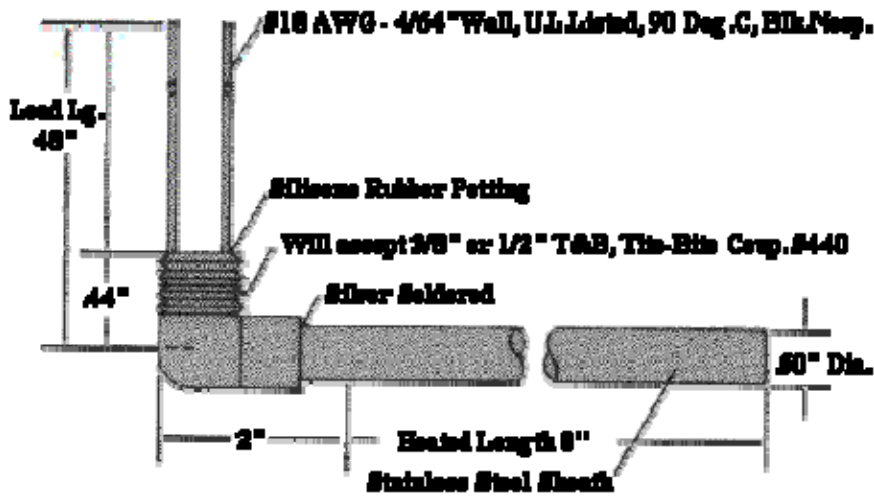
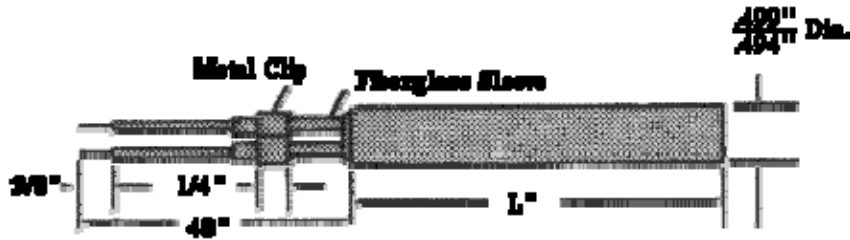


# ЕЛЕКТРОЛУКС Electrolux

Crankcase Heaters: Westinghouse/McQuay Compressors



# ЕЛЕКТРОЛУКС Electrolux



# ЕЛЕКТРОЛУКС Electrolux

