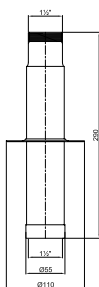


Pool equipment in stainless steel



Non leak flange

Item no.

- 12670 Acid-proof stainless steel AISI 316, with sealing flange. Inside and outside thread 1 1/2". Length 290 mm.
- 12640 Acid-proof stainless steel AISI 316, with sealing flange. Inside thread 1 1/2". Length 255 mm.
- 12675 For main drain. Acid-proof stainless steel AISI 316, with sealing flange. Inside and outside thread 1 1/2". Length 600 mm.
- 126751 For main drain. Acid-proof stainless steel AISI 316, with sealing flange. Outside thread 2". Length 600 mm.

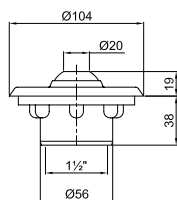
Inlet

Item no.

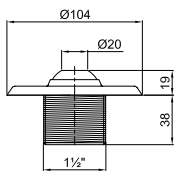
- 125990 Bronze, with acid-proof stainless steel front AISI 316, screws and rubber gasket. 20 mm jet nozzle. Inside thread 1 1/2". For liner pools.
- 126090 Acid-proof stainless steel AISI 316. 20 mm jet nozzle. Outside thread 1 1/2". For concrete pools.



125990



126090



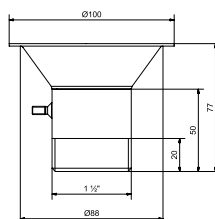
Bottom inlet nozzle

Item no.

- 12550 Acid-proof stainless steel AISI 316, adjustable for different flows. Outside thread 1 1/2". For concrete pools.
- 12560 Acid-proof stainless steel AISI 316, adjustable for different flows. Outside thread 2". For concrete pools.



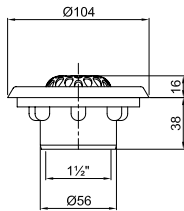
12560



Pool equipment in stainless steel



12652



Outlet

Item no.
12652

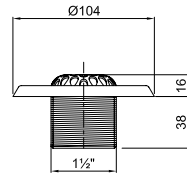
Bronze, with acid-proof stainless steel front AISI 316, screws and rubber gasket. Grille opening. Inside thread 1 1/2". For liner pools.

12650

Acid-proof stainless steel AISI 316. Grille opening. Outside thread 1 1/2". For concrete pools.



12650



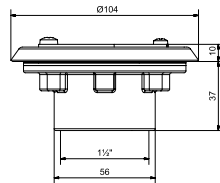
Suction nozzle with cover

Item no.

12673 Bronze, with acid-proof stainless steel front AISI 316. For concrete and liner pools. Inside thread 1 1/2".



12673

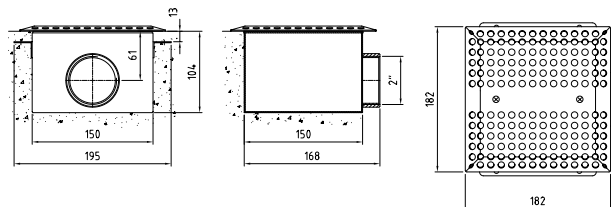


Main drain

Item no.

125930 Acid-proof stainless steel AISI 316. Complete with flange, rubber gasket and screws. The polished grate is detachable with two screws. Connection: Inside thread 2". For liner pools.

125935 Acid-proof stainless steel AISI 316 with flanges for embedding in the concrete floor. The polished grate is detachable with two screws. Connection: Inside thread 2". For concrete pools.



Water level control

For automatic level control in swimming pools, spa pools, ponds etc.

Item no.

- 11250 Electronic level control incl. sensor. Built-in safety device with programmable refilling time for solenoid valve.
- 112501 Solenoid valve 1/2", soft closing.
- 112503 Cover made of stainless steel for level control.
- 112505 Non leak flange for cable of level control.



11250

Pool equipment in stainless steel

Skimmer made of acid-proof stainless steel AISI 316, equipped with a spacious strainer basket, automatic floating weir and lid.
Connection: Inside thread 2".



Skimmer with short neck

Item no.

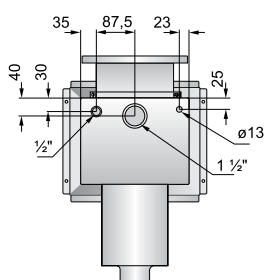
112971 For liner pools. Equipped with a polished front, screws and gasket. The front has a flange for fixing to the pool wall.

112978 Same as skimmer 112971 but with openings for water filling, overflow and cable bushing for water level control.

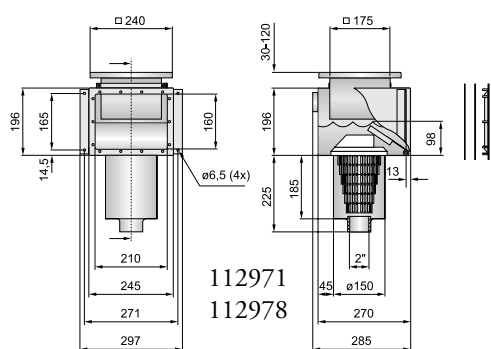
112972

112972 For concrete pools. The inlet has flanges for embedding in the concrete wall.

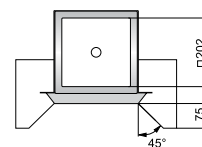
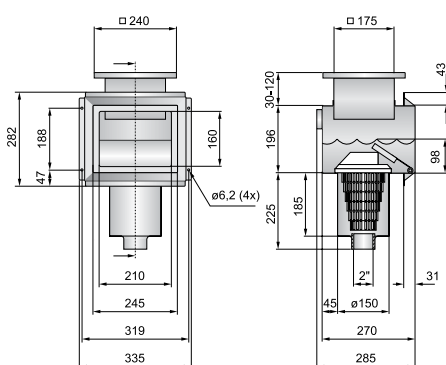
112979 Same as skimmer 112972 but with openings for water filling, overflow and cable bushing for water level control.



112978, 112979



112971
112978



112972
112979



112991

Skimmer with extended neck

Item no.

112991 For liner pools. Equipped with a polished front, screws and gasket. The front has a flange for fixing to the pool wall.

112998 Same as skimmer 112991 but with openings for water filling, overflow and cable bushing for water level control.

112992 For concrete pools. The inlet has flanges for embedding in the concrete wall.

112999 Same as skimmer 112992 but with openings for water filling, overflow and cable bushing for water level control.



112981

Skimmer with standard neck

Item no.

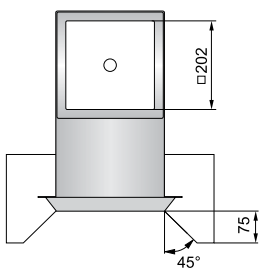
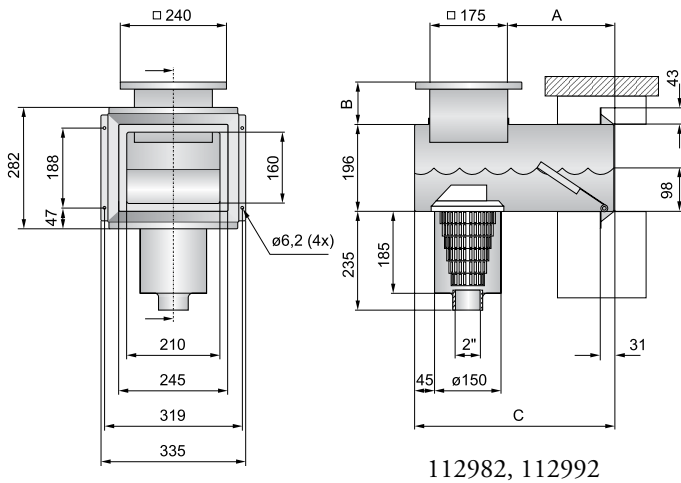
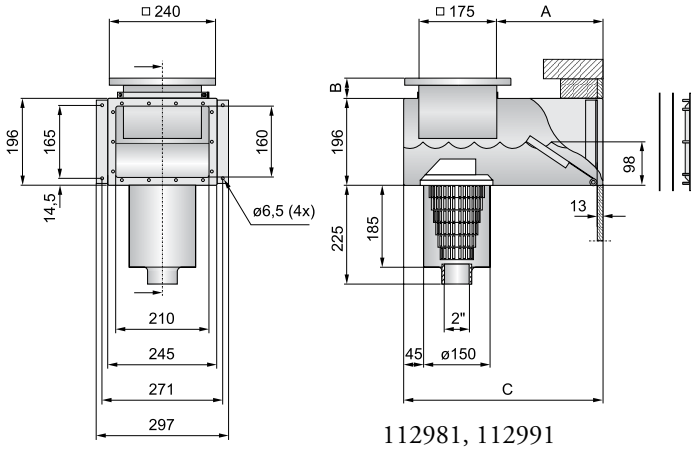
112981 For liner pools. Equipped with a polished front, screws and gasket. The front has a flange for fixing to the pool wall.

112988 Same as skimmer 112981 but with openings for water filling, overflow and cable bushing for water level control.

112982 For concrete pools. The inlet has flanges for embedding in the concrete wall.

112989 Same as skimmer 112982 but with openings for water filling, overflow and cable bushing for water level control.

112900 Clamps, corrosion free for skimmer 112971, 112978, 112981, 112988, 112991 and 112998.
Set of 4 pcs. (Recommended for wall type concrete with liner.)

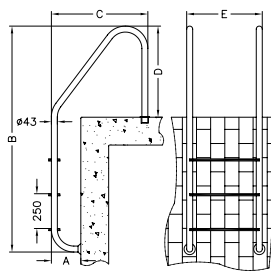


Item no.	A	B	C
112981, 112982	240	30-120	450
112991, 112992	440	30-120	650

Stainless steel ladders, pool stair



12380



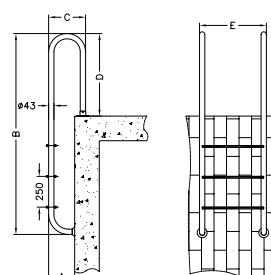
Fixed ladder

Intended for fixing in the pool deck. Manufactured from polished stainless steel. Supplied with stainless steel steps, fixing details and escutcheons.

Item no.	Steps	Dimensions (mm)				
		A	B	C	D	E
12380	3-step	200	1578	710	630	543
12390	4-step	200	1828	710	630	543
12395	5-step	200	2078	710	630	543



123981



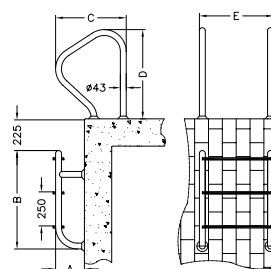
Hinged ladder

Intended for fixing to the pool deck. Manufactured from polished stainless steel. Equipped with lockable hinges to fix the ladder in a raised position to allow space for a pool cover. Supplied complete with hinges and stainless steel steps.

Item no.	Steps	Dimensions (mm)				
		A	B	C	D	E
123981	3-steg	200	1640	300	670	543
123971	4-steg	200	1890	300	670	543



12385



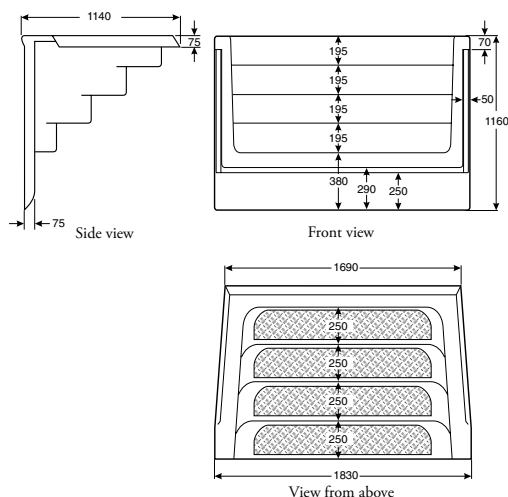
Two pieces ladder

Manufactured from polished stainless steel. Supplied with stainless steel steps and fixing details.

Item no.	Steps	Dimensions (mm)				
		A	B	C	D	E
12385	3-step	200	765	440	778	543
12386	4-step	200	1015	440	778	543



15585000



Pool stair manufactured of vacuum shaped acrylic, reinforced with glass-fibre reinforced polyester, intended for liner pools. The stair is resistant to UV-light. It is colourfast and easy to maintain.

Four steps with built-in slip protection make it easy and safe to get in and out of the pool.

The Pahlén spa light, item no. 12265, can be installed in the stair wall to lighten the steps and accentuate the stair in darkness.



P1004

Skimmer

Item no. Model
P1004 SL-111 Skimmer, standard neck, liner. Adjustable height. Bottom connection 2".



Skimvac

Item no.
112620 Skimvac disc with horizontal opening.



P1062

P1070

P1080

Inlets

Item no.	Model	
P1062	RL-321	For liner pools. Inside bonding Ø 50 mm.
P1070	RL-327	For thin pool walls with nut and seal. Inside bonding Ø 50 mm.
P1080		For liner pools. Inside thread 1½".

Floor grating for overflow channel, length 500 mm each

Item no.	
61570	UV resistant PP-plastic, width 180 mm
61571	UV resistant PP-plastic, width 240 mm
61572	UV resistant PP-plastic, width 300 mm



61570

Accessories

Item no.	Model	
P1076	JO-210	Nozzle for inlet, outside thread 1½".
12620		Nozzle for inlet, outside thread 1½".



P1076



12620

