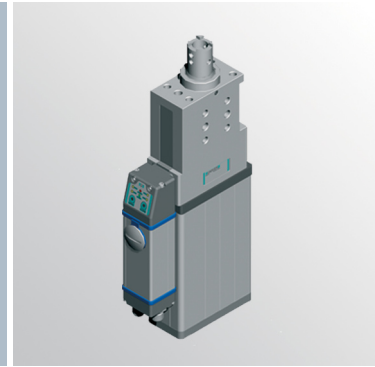






# LCE350

Retractable locating pin unit

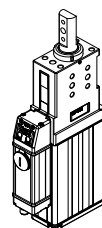


L	C	E	3	5	0	A	E	R	1	0
1		2			3	4	5	6		

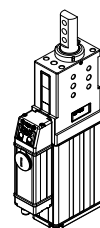
1 Series	2 Size	3 Rod end style
LCE = Retractable locating pin unit	350	<p><b>A</b> = Rod for offset pins</p> <p><b>B</b> = Rod with profi led ends</p> <p><b>C</b> = Rod w/cross profi led end</p> <p><b>D</b> = Rod for offset pins with dowel oversize holes Ø8 H7</p>

4 Rod orientation	5 Rod scraper	3 Control module
<p><b>E</b> = east, standard </p> <p><b>O</b> = west </p> <p><b>N</b> = north </p> <p><b>S</b> = south </p>	<p><b>R</b> = Rod scraper in stainless steel</p>	<p><b>10</b> = 1 connector - standard software</p> <p><b>20</b> = 2 connector - standard software</p>

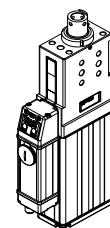
### ■ Rod end styles



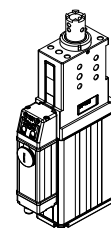
Type A



Type D



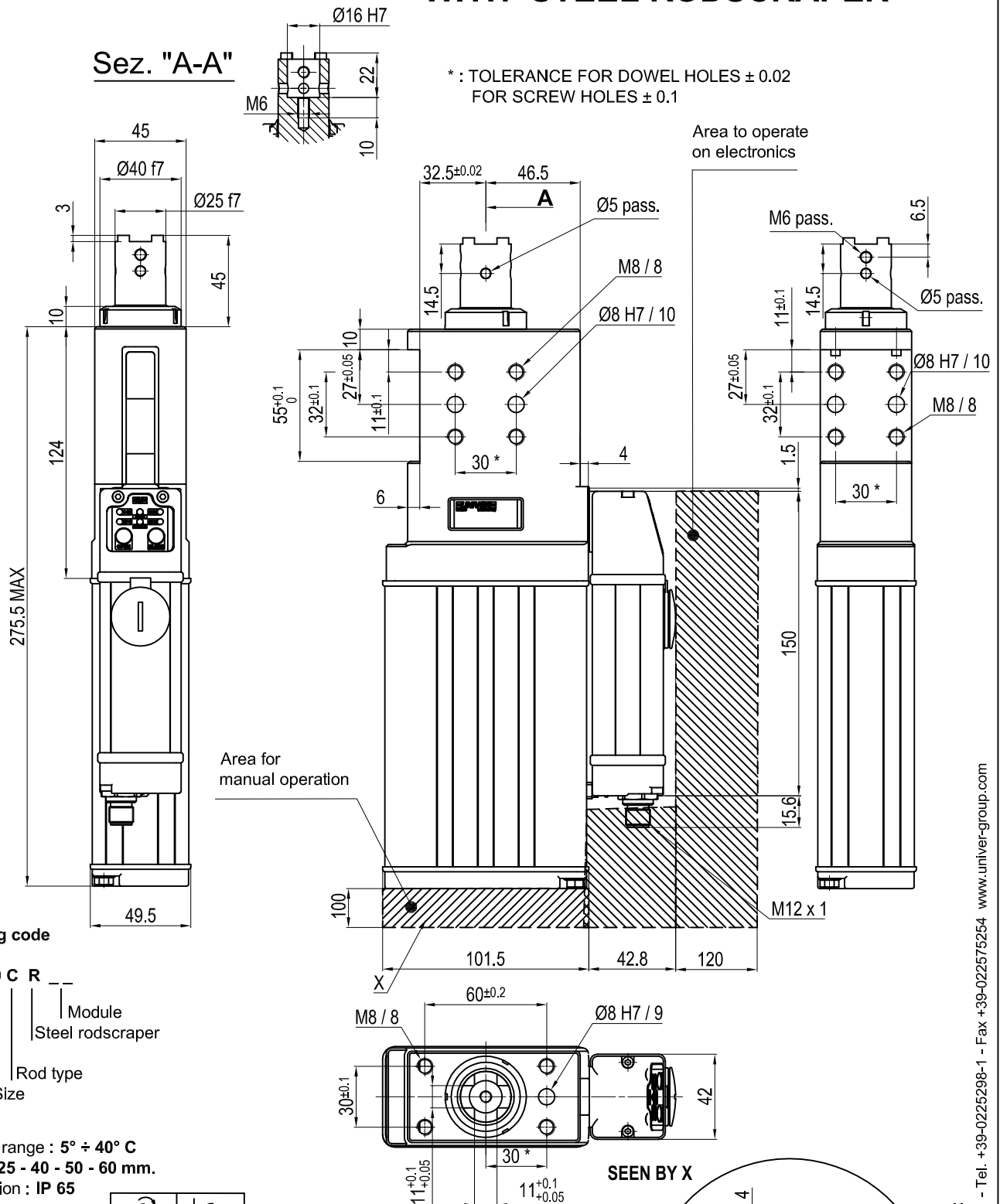
Type B



Type C



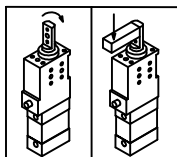
**WITH STEEL RODSCRAPER**



Ordering code

**LCE 350 C R** ---  
 |  
 | Module  
 | Steel rodscraper  
 |  
 | Rod type  
 | Size  
 | Series

Temperature range : 5° ÷ 40° C  
 Stroke : 10 - 25 - 40 - 50 - 60 mm.  
 Class protection : IP 65



Size	Radial thrust (Kg)	Axial thrust (Kg)	Torque (Nm)	Bending moment (Nm)	Max. rod torsion angle (Nm)	Max. rod bending angle (Nm)	Max. weight
350	15	70	6	7,5	±2'±0,03°	±2'±0,03°	2.3 Kg.

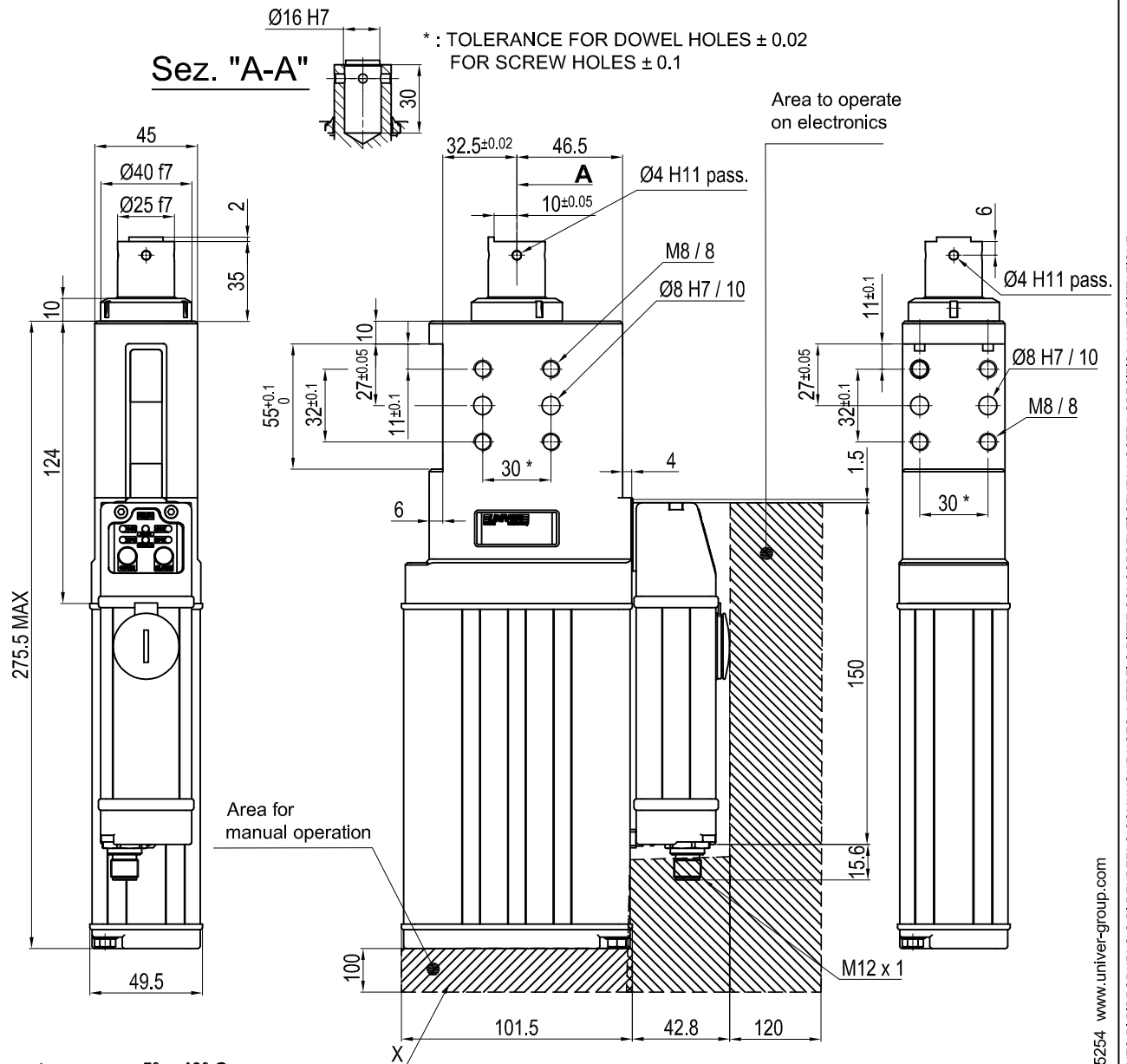
Subject to technical modifications without notice

Rev. 01 del 29 | 09 | 05

# ELECTRIC LOCATING PIN UNIT

## LCE 350 B R \_\_ SERIES

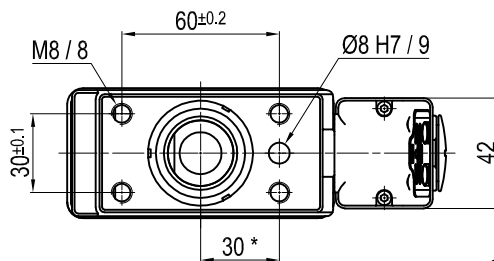
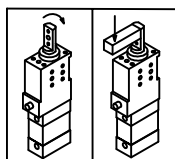
### WITH STEEL RODSCRAPER



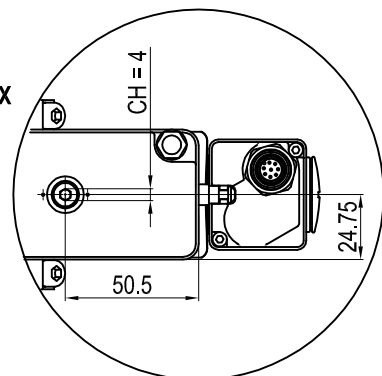
Temperature range :  $5^{\circ} \div 40^{\circ} \text{C}$   
Stroke : 10 - 25 - 40 - 50 - 60 mm.  
Class protection : IP 65

**Ordering code**

**LCE 350 B R** \_\_  
 |  
 | Module  
 | Steel rodscraper  
 |  
 | Rod type  
 | Size  
 | Series



SEEN BY X



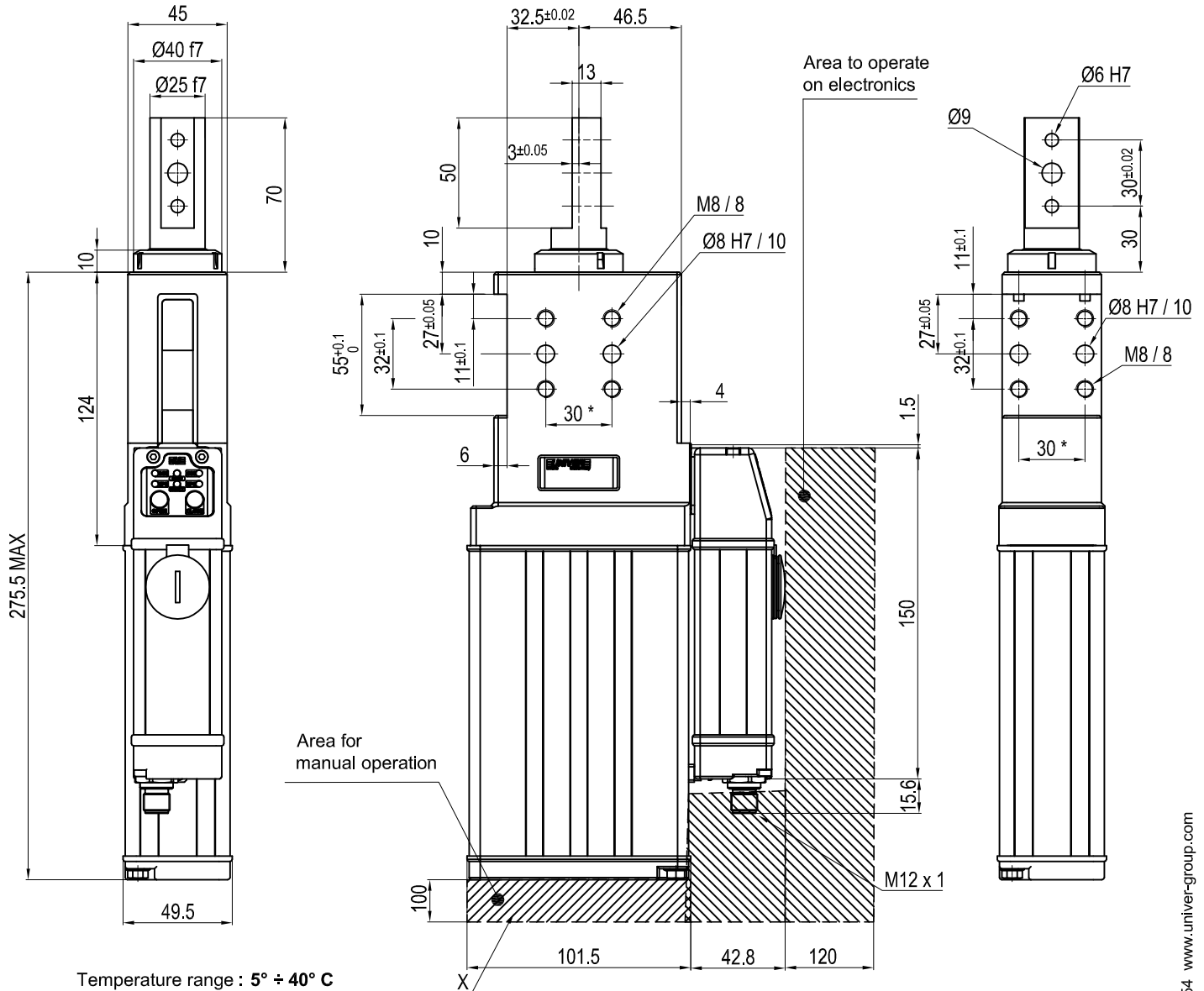
Size	Radial thrust (Kg)	Axial thrust (Kg)	Torque (Nm)	Bending moment (Nm)	Max. rod torsion angle (Nm)	Max. rod bending angle (Nm)	Max. weight
350	15	70	6	7,5	$\pm 2' \pm 0,03^{\circ}$	$\pm 2' \pm 0,03^{\circ}$	2.3 Kg.

Subject to technical modifications without notice

# ELECTRIC LOCATING PIN UNIT LCE 350 A \_ R \_ \_ SERIES

\* : TOLERANCE FOR DOWEL HOLES  $\pm 0.02$   
FOR SCREW HOLES  $\pm 0.1$

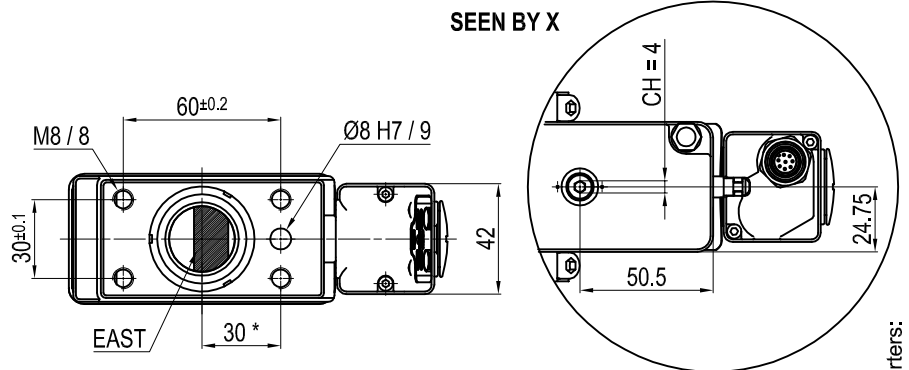
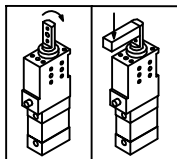
## WITH STEEL RODSCRAPER



Temperature range :  $5^{\circ} \div 40^{\circ} \text{C}$   
Stroke : 10 - 25 - 40 - 50 - 60 mm.  
Class protection : IP 65

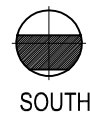
### Ordering code

LCE 350 A \_ R \_ \_  
Series | Size | Rod type | Rod end orientation | Steel rodscraper | Module



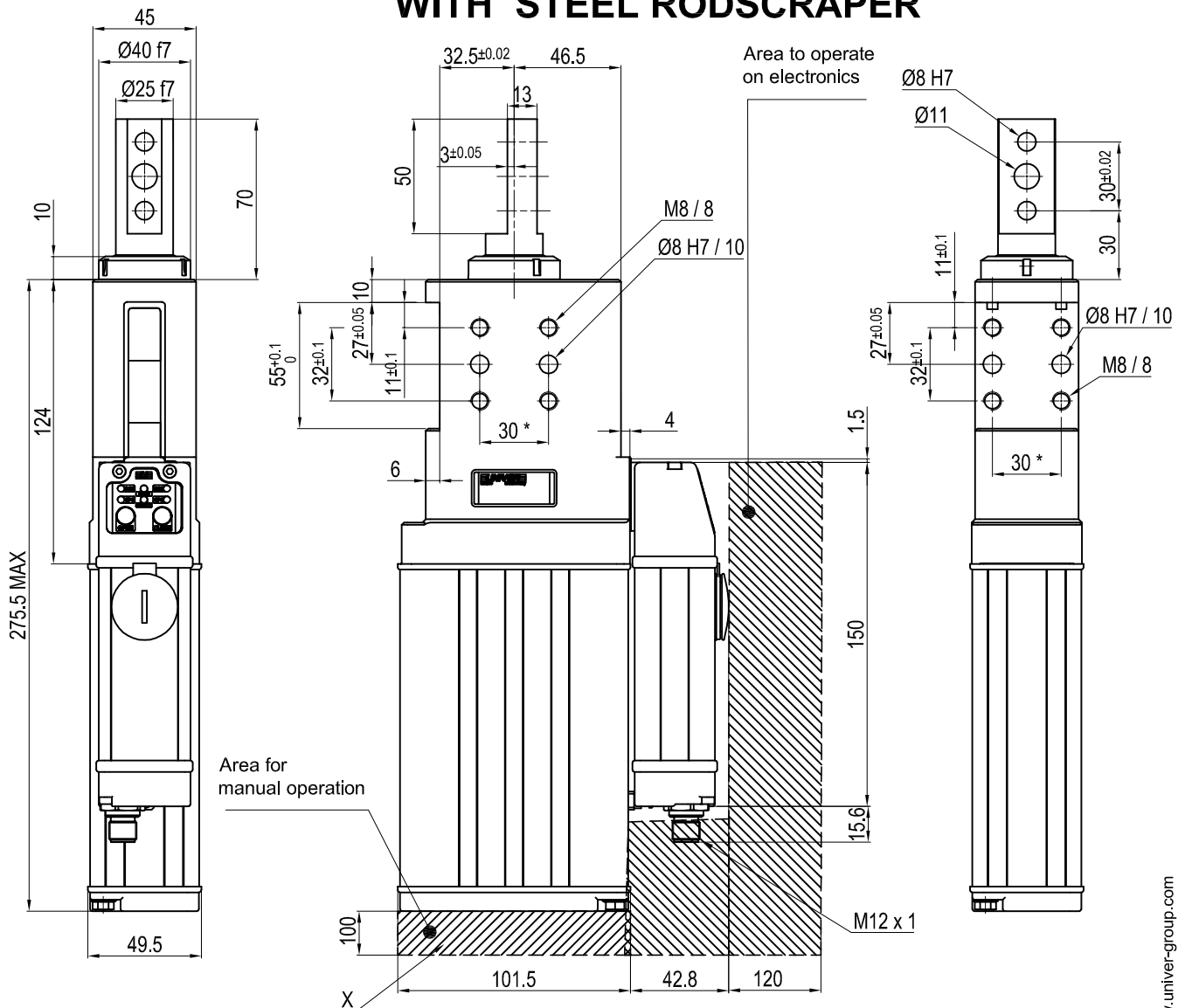
Size	Radial thrust (Kg)	Axial thrust (Kg)	Torque (Nm)	Bending moment (Nm)	Max. rod torsion angle (Nm)	Max. rod bending angle (Nm)	Max. weight
350	15	70	6	7,5	$\pm 2' \pm 0,03^{\circ}$	$\pm 2' \pm 0,03^{\circ}$	2.3 Kg.

Subject to technical modifications without notice

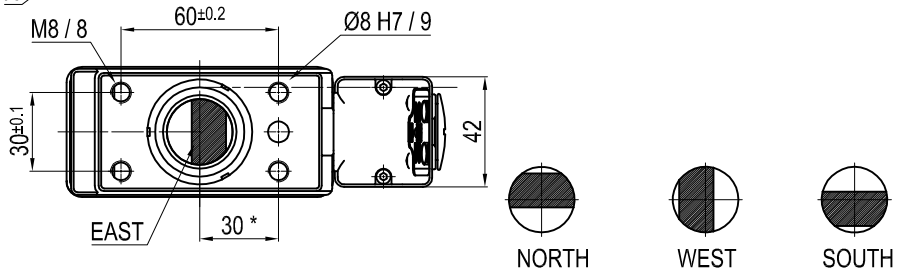


# ELECTRIC LOCATING PIN UNIT LCE 350 D \_ R \_ \_ SERIES

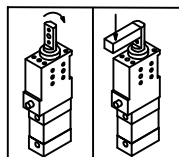
## WITH STEEL RODSCRAPER



\* : TOLERANCE FOR DOWEL HOLES  $\pm 0.02$   
FOR SCREW HOLES  $\pm 0.1$



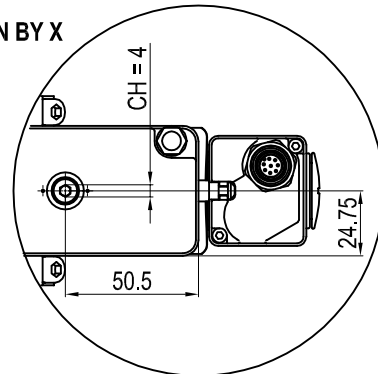
Temperature range :  $5^{\circ} \div 40^{\circ} \text{C}$   
Stroke : 10 - 25 - 40 - 50 - 60 mm.  
Class protection : IP 65



### Ordering code

LCE 350 D \_ R \_ \_  
 |  
 | Module  
 | Steel rodscraper  
 | Rod end orientation  
 | Rod type  
 | Size  
 | Series

### SEEN BY X



Size	Radial thrust (Kg)	Axial thrust (Kg)	Torque (Nm)	Bending moment (Nm)	Max. rod torsion angle (Nm)	Max. rod bending angle (Nm)	Max. weight
350	15	70	6	7,5	$\pm 2' \pm 0,03^{\circ}$	$\pm 2' \pm 0,03^{\circ}$	2.3 Kg.

Subject to technical modifications without notice

Rev. 01 del 29 | 09 | 05

Pag. **M01.04**