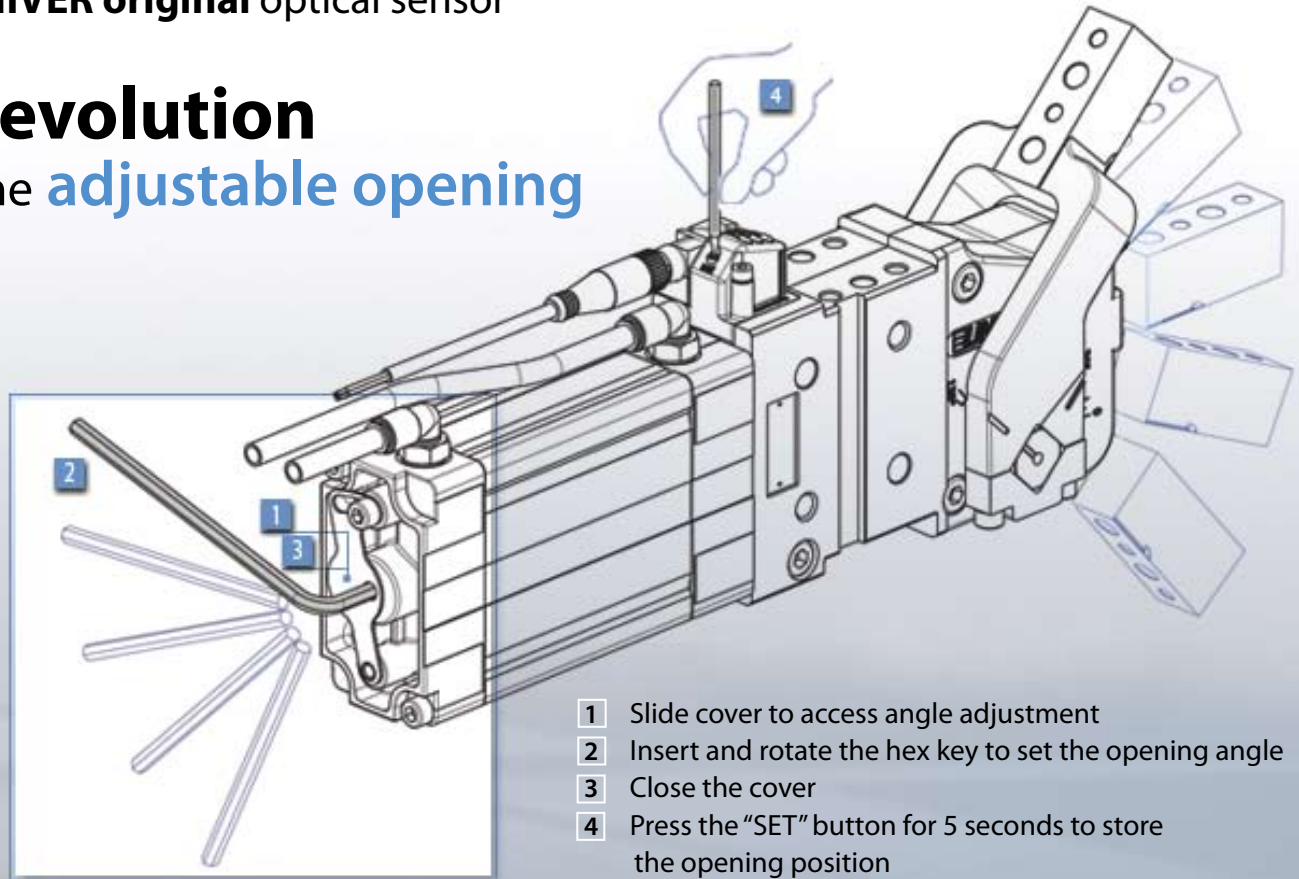


# UNIVERSAL\_Power clamps

- Fully adjustable opening angle
- UNIVER original optical sensor

The **evolution**  
of the **adjustable opening**



## COMPLETE INTERCHANGEABILITY with LAP/LNP series:

- Interchangeable **mounting**
- Interchangeable **overall dimensions**
- Interchangeable **models and options**
- Same **inner linkage mechanism**

## ADVANTAGES FOR THE END CUSTOMER:

### UNIVERSAL series:

- Allows **opening angle** to be adjusted from 0° to 125° for the 40mm bore and from 0° to 135° for the 50, 63, 80mm bore
- Allows **to set the opening** angle with or without air supply
- Reduces **stock requirements: one UNIVERSAL unit** can be used to set all possible opening angles
- Can be used **as direct replacement** for LAP/LNP series
- Increases **productivity** and decreases cycle time by being able to set the clamp to the minimum required opening angle
- Guarantees the same reliability recognized by the market thanks to the use of the **already proven inner linkage mechanism** of the LAP/LNP series
- Provides **pumatic ports on both sides** of the cylinder
- Is equipped with a **UNIVER original all metal construction optical sensor**, which is IP65 and includes a swivel connector which can be orientated in 0° or 90°

# UNP80

UNIVERSAL power clamps  
conforming to NAAMS Standard



U	N	P	8	0	N	N	U
1	2	3	4	5	6		



<b>1</b> Series	<b>2</b> Version	<b>3</b> Size
-----------------	------------------	---------------

**UN** = UNIVERSAL power clamps conforming to NAAMS Standard fully adjustable opening angle from 0° to 135°

**P** = Pneumatic standard

**80** = ø 80 mm

<b>4</b> Arm mount position	<b>5</b> Output shaft mounting options	<b>6</b> Sensore di posizione
-----------------------------	--	-------------------------------

**N** = No arm

**R** = Right side only

**L** = Left side only

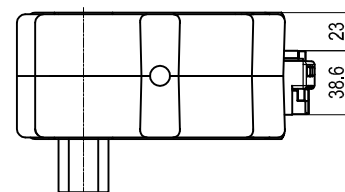
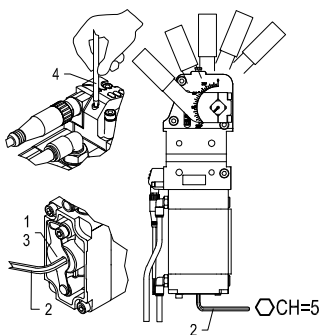
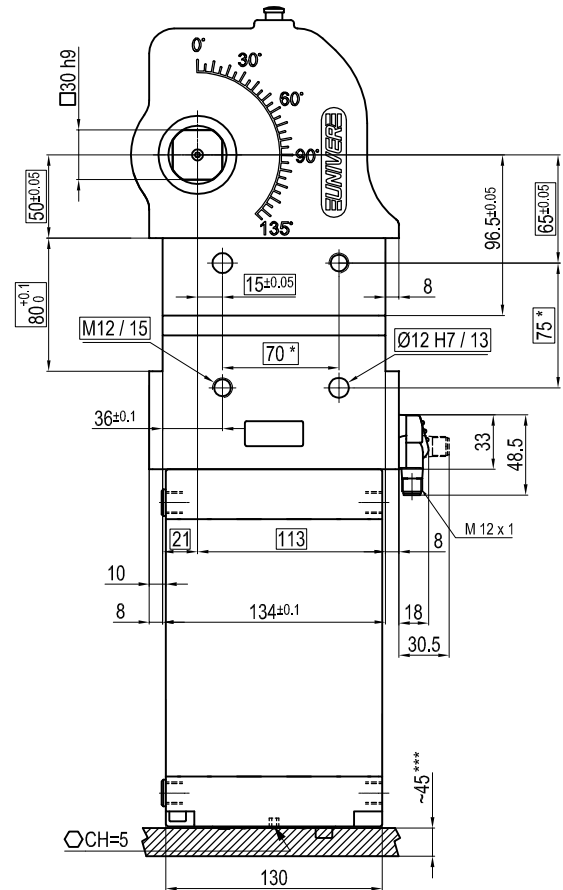
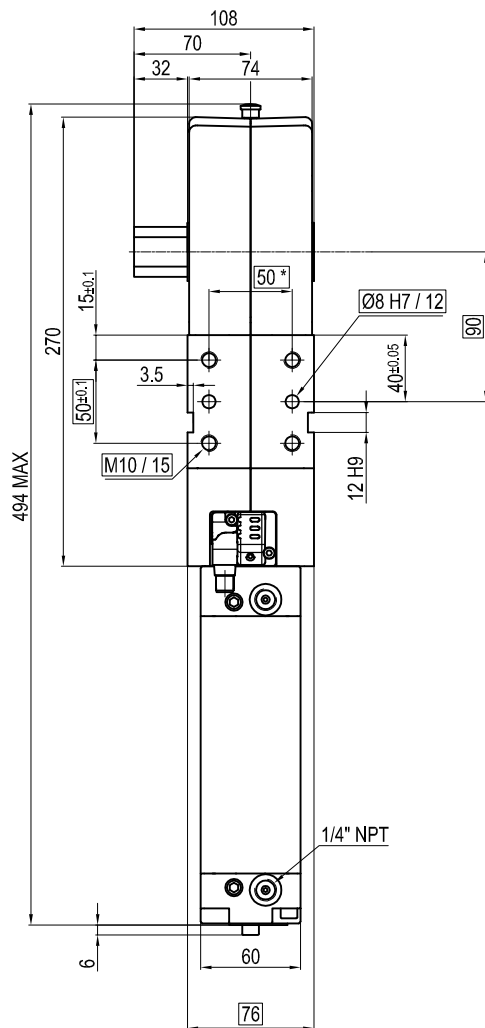
**N** = Dual square shaft

**N** = No sensor

(with protection plate)

**U** = Electronic 24 Vdc sensor with M12 swivel connector

## Pneumatic power clamp **UNIVERSAL**



Bore Ø	Holding moment	Clamping moment	Weight
80 mm	4000 Nm	1100 Nm	11.5 Kg

Min./Max. operating pressure: **0,4 / 0,8 MPa**

Operating temperature: **5° + 45° C**

Opening angle: **adjustable from 0° to 135°**

Electronic 24 Vdc sensor with M12 swivel connector that can be orientated at 0° or 90°

Protection Class: **IP 65**

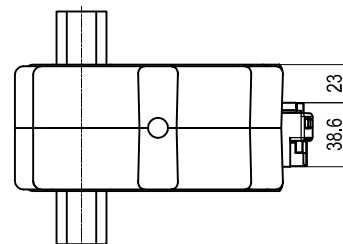
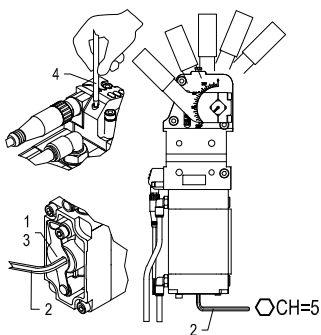
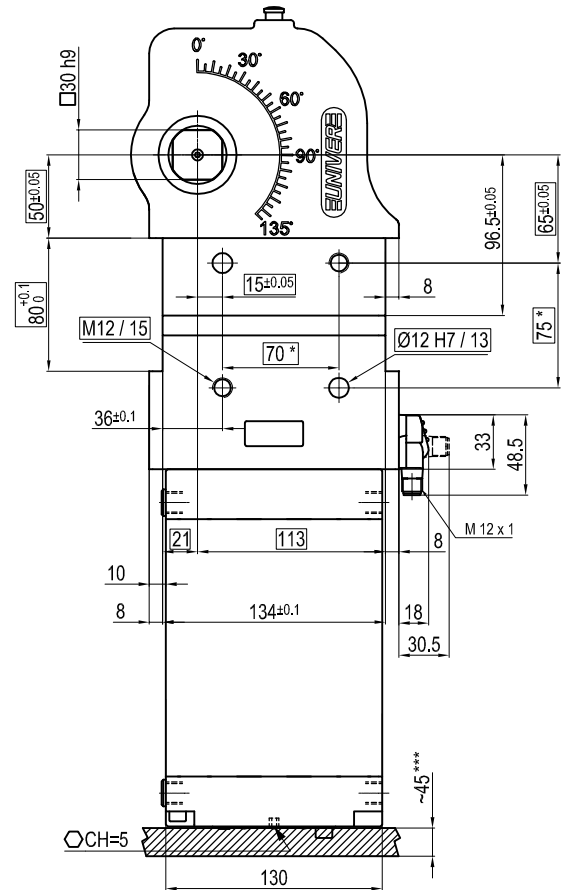
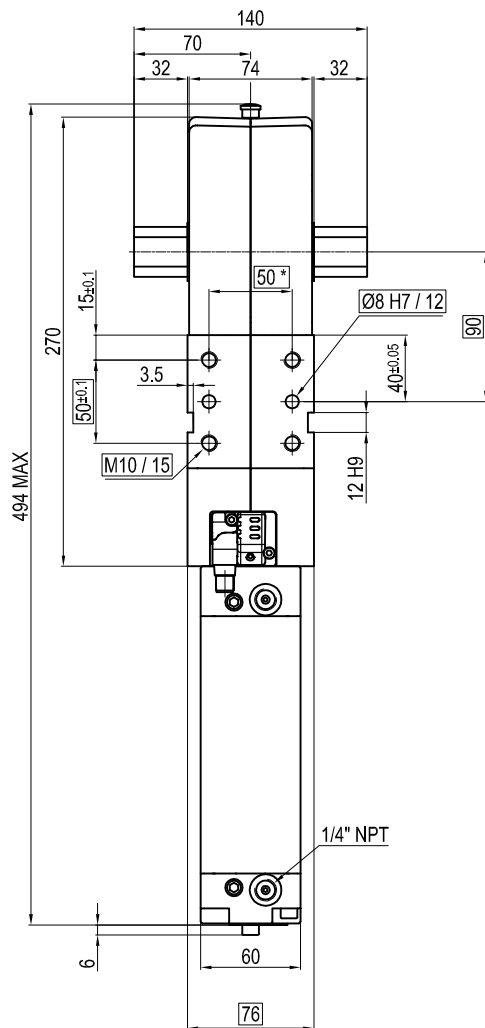
Pneumatic ports on both sides

\* : TOLERANCE BETWEEN DOWEL HOLES ± 0.02, TO SCREW HOLES ± 0.1

\*\* : THE MEASURES REFER TO **NAAMS** STANDARD

\*\*\* : AREA TO ACCESS ANGLE ADJUSTMENT.

Subject to technical modifications without notice.



Bore Ø	Holding moment	Clamping moment	Weight
80 mm	4000 Nm	1100 Nm	11.5 Kg

Min./Max. operating pressure: **0,4 / 0,8 MPa**

Operating temperature: **5° + 45° C**

Opening angle: **adjustable from 0° to 135°**

Electronic 24 Vdc sensor with M12 swivel connector that can be orientated at 0° or 90°

Protection Class: **IP 65**

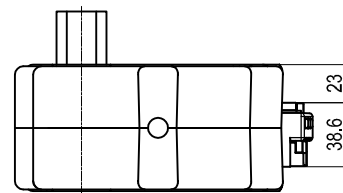
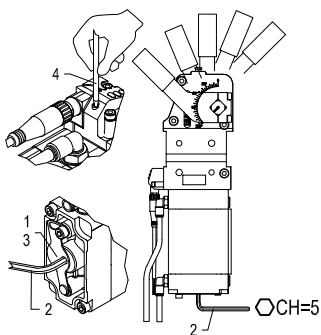
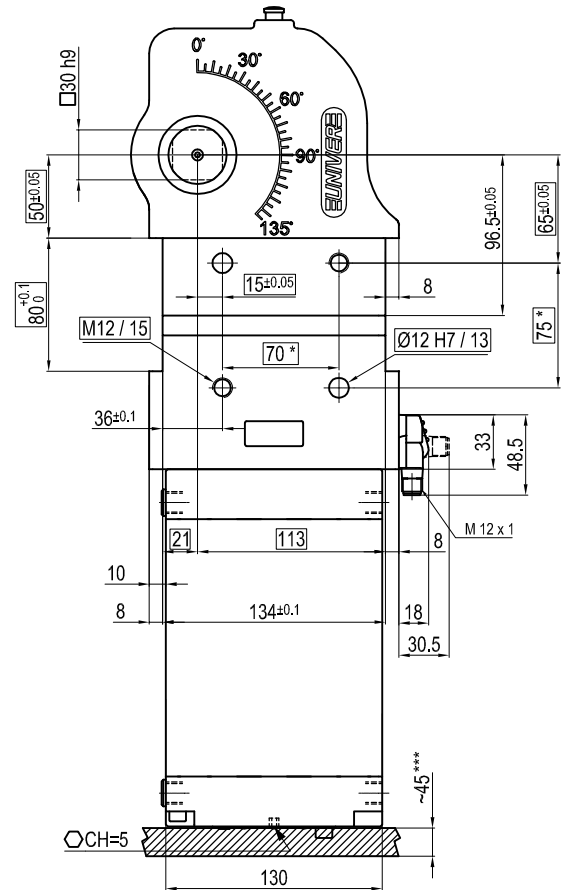
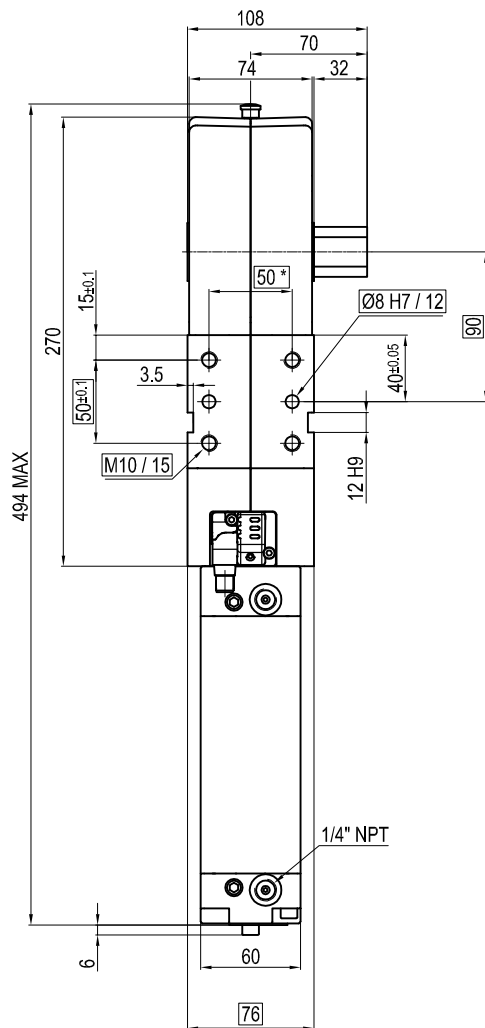
Pneumatic ports on both sides

\* : TOLERANCE BETWEEN DOWEL HOLES ± 0.02, TO SCREW HOLES ± 0.1

\*\* : THE MEASURES REFER TO **NAAMS** STANDARD

\*\*\* : AREA TO ACCESS ANGLE ADJUSTMENT.

Subject to technical modifications without notice.



Bore Ø	Holding moment	Clamping moment	Weight
80 mm	4000 Nm	1100 Nm	11.5 Kg

Min./Max. operating pressure: **0,4 / 0,8 MPa**

Operating temperature: **5° + 45° C**

Opening angle: **adjustable from 0° to 135°**

Electronic 24 Vdc sensor with M12 swivel connector that can be orientated at 0° or 90°

Protection Class: **IP 65**

Pneumatic ports on both sides

\* : TOLERANCE BETWEEN DOWEL HOLES ± 0.02, TO SCREW HOLES ± 0.1

\*\* : THE MEASURES REFER TO **NAAMS** STANDARD

\*\*\* : AREA TO ACCESS ANGLE ADJUSTMENT.

Subject to technical modifications without notice.