

LFM108

Differential pressure transmitter



LFM108 differential pressure transmitter detect differential pressure or gauge pressure then convert this pressure difference to a proportional analogue output signal. Two output version are offered: Voltage output of 0~10VDC, and a current output 4-20mA. LFM108 differential pressure transmitter ranges from 0~±50Pa to 0~±10000Pa. These transmitters boast of their outstanding performance,high quality and economical pricing.

Application

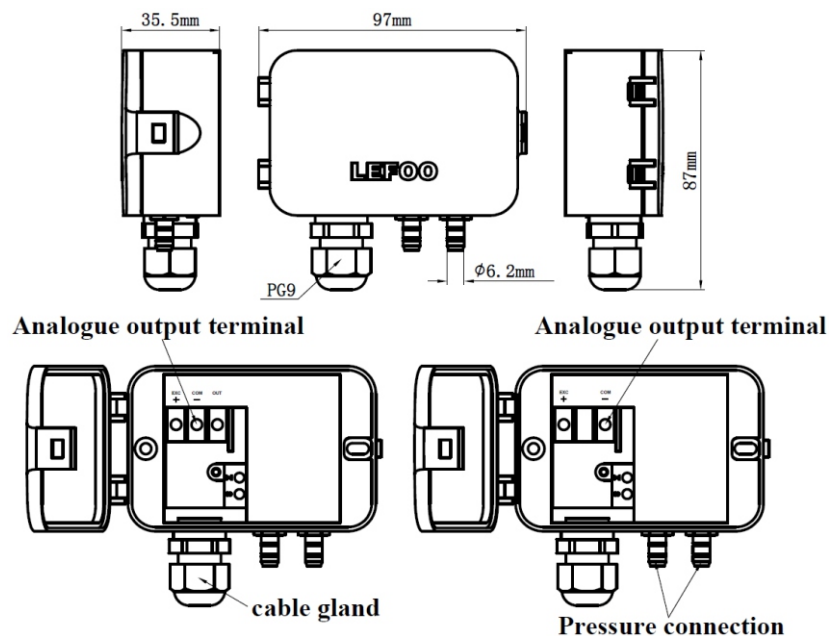
- ◆ Heating, Ventilation and Air Conditioning (HVAC)
- ◆ Energy Management System
- ◆ Static Duct Pressure
- ◆ Clean Room Pressure
- ◆ Over Pressurization and Furnace Draft Control

Media : Air and neutral gases

Pressure range table

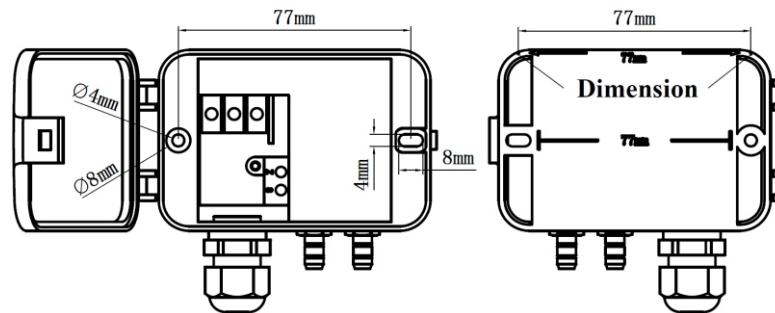
Unidirectional pressure	Bidirectional pressure
0~100Pa	0~±50Pa
0~250Pa	0~±100Pa
0~500Pa	0~±250Pa
0~1000Pa	0~±500Pa
0~2500Pa	0~±1000Pa
0~5000Pa	0~±2500Pa
0~10,000Pa	0~±5000Pa
	0~±10,000Pa

Other pressure range are selectable



Specification

Accuracy	±1.0%FS
Compensated temperatures	-10~+60°C
Zero/Full range deviation %FS/°C	±0.01
Over pressure capacity	×15
Output signal	0~5/10VDC/3-wire 0~20mA/2-wire
Supply voltage	0~5/10VDC/12~30VDC 4~20mA/10~30VDC
Ambient temperatur	-10~60°C
Housing	Industrial plastic, fire resistance level per UL94-V0
Pressure connection	Ribbed Ø6.2mm
Cable gland	Cables Ø8mm maximum
Protection class	IP54



Order ref table

LFM108 — —

Unidirectional	Bidirectional	Output
101G = 0-100Pa	051D = 0±50Pa	AL = 4~20mA
251G = 0-250Pa	101D = 0±100Pa	VL = 0~10VDC
501G = 0-500Pa	251D = 0±250Pa	VZ = 0~5 VDC
102G = 0-1000Pa	501D = 0±500Pa	
252G = 0-2500Pa	102D = 0±1000Pa	
502G = 0-5000Pa	252D = 0±2500Pa	
103G = 0-10,000Pa	502D = 0±5000Pa	
	103D = 0±10,000Pa	