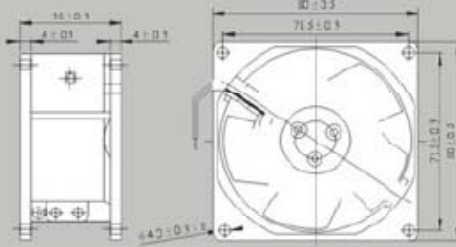


Fan Series



80x80x38mm

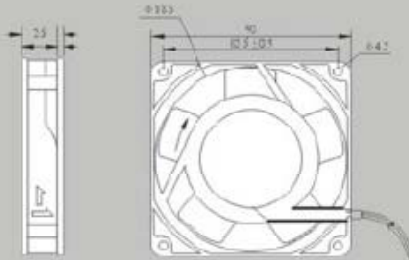


Suitable blower fan model and specification

Type	3C-230HS	3C-115HS
Bearing	Sleeve/Ball	Sleeve/Ball
Voltage	220/230	110/115
Frequency	50/60	50/60
Current	0.08/0.09	0.16/0.18
Power(w)	12/15	12/15
Speed	2600/3000	2600/3000
Wind volume	49/53	49/59
Noise	29/35	29/35
Weight	335	335



92x92x25mm

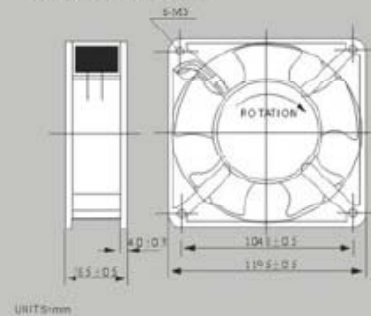


Suitable blower fan model and specification

Type	F2E-92S-230	F2E-92S-115
Bearing	Sleeve/Ball	Sleeve/Ball
Voltage	220/230	110/115
Frequency	50/60	50/60
Current	0.07/0.08	0.14/0.16
Power(w)	14/15	14/16
Speed	2400/2900	2400/2900
Wind volume	47/53	47/58
Noise	29/35	29/35
Weight	255	255



120x120x38mm

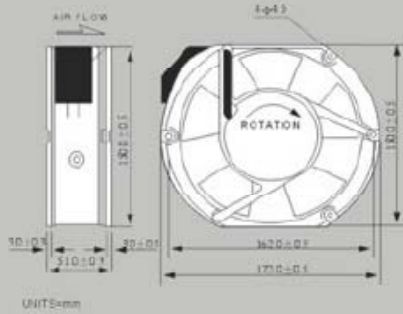


Suitable blower fan model and specification

Type	F2E-120S-230	F2E-120S-115
Bearing	Sleeve/Ball	Sleeve/Ball
Voltage	220/230	110/115
Frequency	50/60	50/60
Current	0.12/0.14	0.24/0.27
Power(w)	20/24	19/23
Speed	2700/3100	2700/3100
Wind volume	84/100	84/100
Static pressure	0.28/0.34	0.27/0.34
Noise	45/50	45/50
Weight	620	620



172x150x51mm

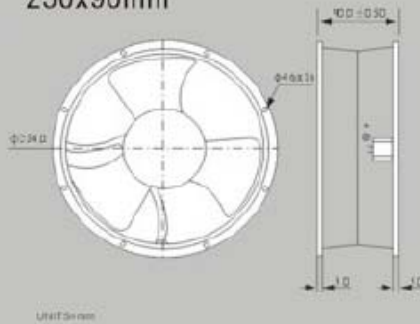


Suitable blower fan model and specification

Type	F2E-150S-230	F2E-150S-115
Bearing	Sleeve/Ball	Sleeve/Ball
Voltage	220/230	110/115
Frequency	50/60	50/60
Current	0.28/0.35	0.48/0.55
Power(w)	44/51	45/52
Speed	2800/3100	2800/3100
Wind volume	190/220	190/220
Static pressure	0.55/0.72	0.55/0.72
Noise	53/59	920
Weight	53/59	920

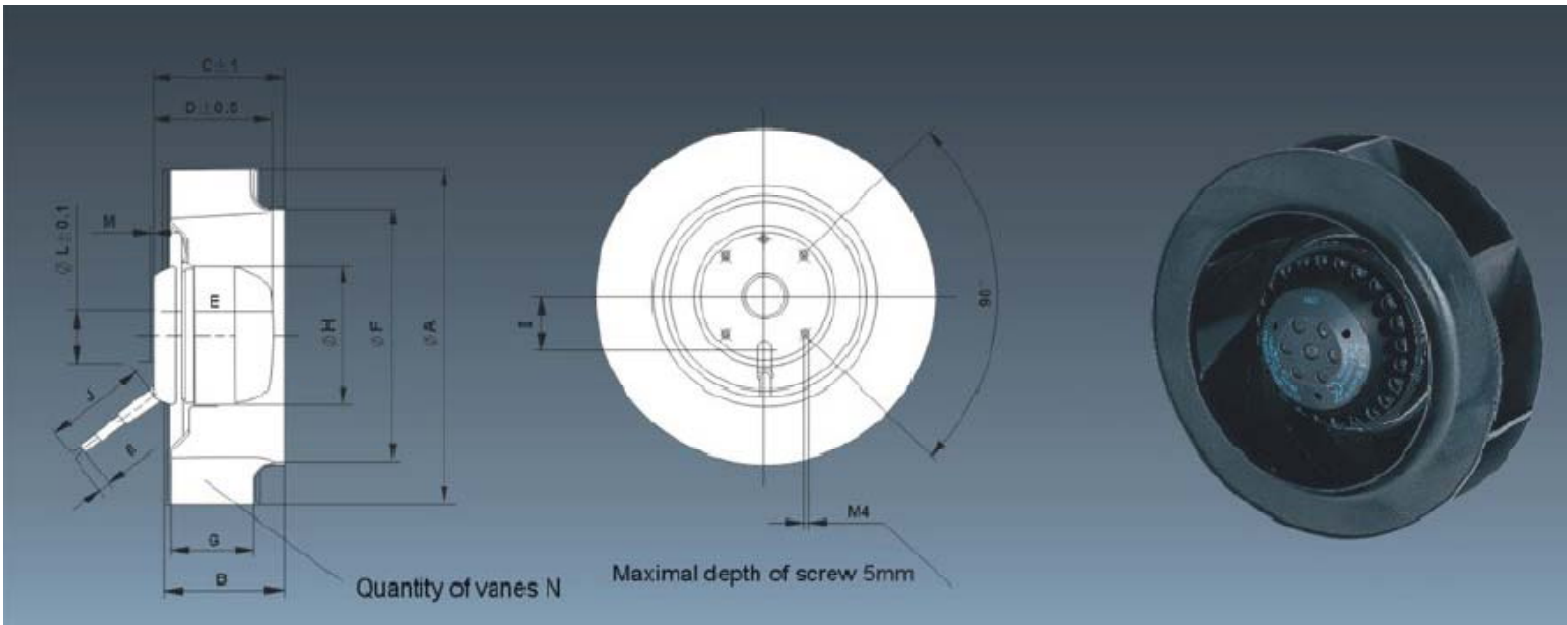


250x90mm



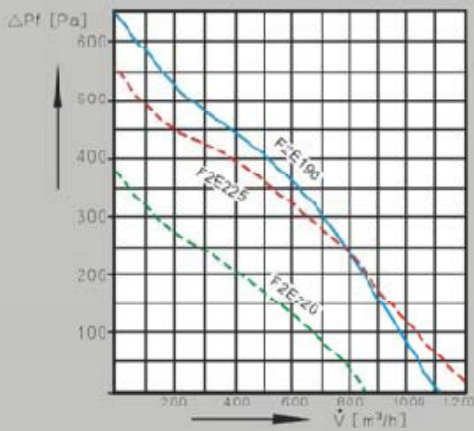
Suitable blower fan model and specification

Type	F2E-250B-230	F2E-250B-115
Bearing	Ball	Ball
Voltage	220/230	110/115
Frequency	50/60	50/60
Current	0.16/0.22	0.36/0.40
Power(w)	40/52	40/48
Speed	1600/1700	1600/1700
Wind volume	480/550	480/550
Static pressure	0.21/0.24	0.21/0.24
Noise	48/56	48/56
Weight	1780	1780



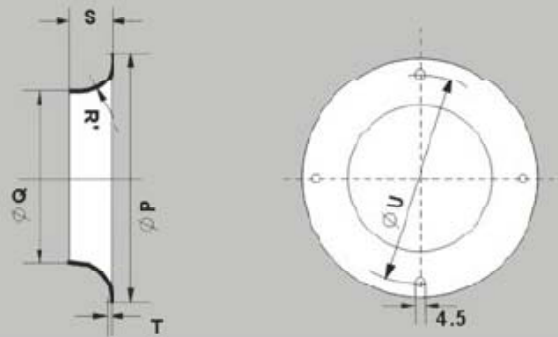
Type	A	B	C	D	E	F	G	H	I	J	L	M	N
F2E190	190	62.8	68.5	62.7	15	131	44.6	92	27	450	27	2	7
F2E220	220	63.0	71	63	15	159	44	92	27	450	27	2	11
F2E225	225	75.3	85	83	35	153	50	92	27	450	27	2	11

Characteristic curve of power



Material of impeller: engineering plastic nylon 6.6 (polyamide, strengthening fiberglass)

Inlet air guide ring



Type	Applicable fan	P	Q	R'	S	T	U
IR190	F2E190	170	125.5	10	14	1.25	158
IR220	F2E220	252	155	22	21	0.8	2×5
IR225	F2E225	223	146	25	28	1.5	2'0

Type	Voltage V	Frequency Hz	Current A	Power W	Air quantity m³/h	Rotate speed min ⁻¹	Capacitance uF/VDB	Noise dBA	Temperature °C	Weight Kg
F2E190	230	50	0.26	58	570	2500	2/400	62	50	1.2
		60	0.34	75	620	2700		64	55	
F2E220	230	50	0.38	85	860	2600	3/400	73	50	1.5
		60	0.40	90	900	2700	2/400	74	55	
F2E225	230	50	0.60	135	1200	2650	4/500	69	60	1.5
		60	0.88	200	1340	2950		71	60	