

G6

20 mm - G 1/8 Valves and solenoid valves

- G1/8 threaded valve body with traditional Univer spool system
- Version with integrated electrical connection and external connection
- Compact design
- High flow rate
- Versions available: 5/2 - 5/3 - 3/2+3/2



TECHNICAL CHARACTERISTICS

Ambient temperature	-20 ÷ +50 °C
Fluid temperature	max +50 °C
Fluid	filtered air 50 µm not dehumidified, lubricated or not
Commutation system	spool
Ways/Positions	5/2, 5/3, 3/2+3/2
Pressure	1,5 ÷ 9 bar
Control	indirect electro-pneumatic, pneumatic
Return	mechanical spring, pneumomechanical spring
Connections	G1/8
Nominal Ø	5 mm
Nominal flow rate (NI/min)	5/2 = 770 5/3 = 700 3/2+3/2 = 670

CONSTRUCTIVE CHARACTERISTICS

Valve body	zamak
Seals	nitrile rubber
Subbase and actuators	self-extinguishing technopolymes
Spool	aluminum

ELECTRIC CHARACTERISTICS

Electropilot/coil	A/U05 series
Voltage	24 V DC standard, upon request 12 V DC 24 V AC - 110 V AC - 230 V AC (only for version with integrated electrical connection)
Power consumption	for direct current 2 W (2,3 VA)
Protection degree	IP65
Manual override	with button with tool 1 position

CODIFICATION KEY

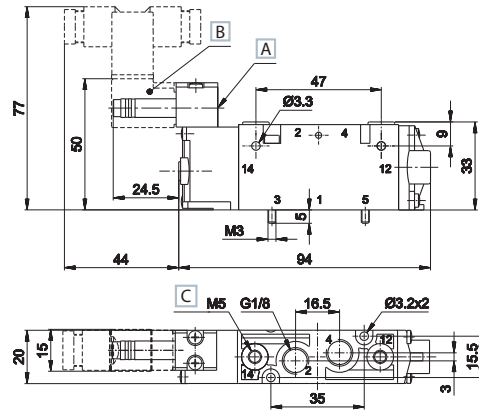
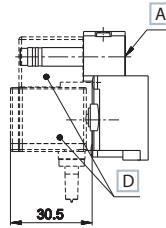
G	6	6	4	4	D
1	2	3	4	5	

1 Series	2 Type	3 Control 14
G6 = G1/8 threaded body (except coils and connectors)	2 = 5/2 3 = 5/3 c.c. 4 = 5/3 o.c. 5 = 5/3 p.c. 6 = 3/2+3/2 NC-NC 7 = 3/2+3/2 NC-NO 8 = 3/2+3/2 NO-NO	3 = pneumatic amplified 4 = electrical amplified DC 5 = electrical amplified DC/AC

4 Return 12	5 Option
0 = pneumomechanical spring 1 = mechanical spring 3 = pneumatic amplified	4 = electrical amplified DC 5 = electrical amplified DC/AC D = external servoassisted pilot

o.c. = open centres c.c. = closed centres p.c. = pressurized centres

Single electric impulse

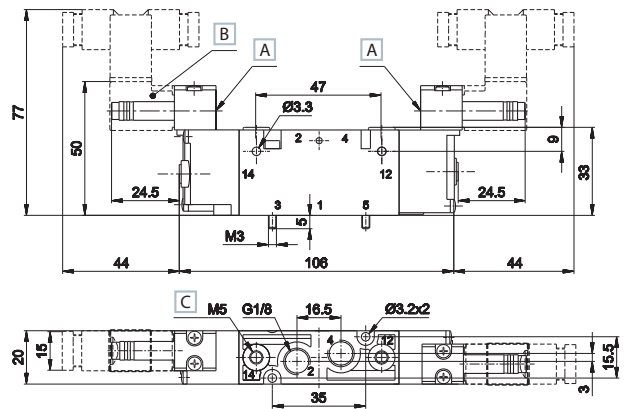
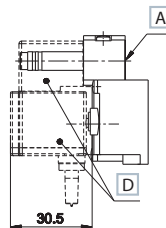


- A Manual override
- B Coil with connector for single connection
- C External servoassisted pilot
- D Coil with intergrated connector for multipolar version DD-051**C

- 1 = Supply port
- 2 - 4 = Use
- 3 - 5 = Exhaust
- 14 = Control
- 12 = Return

Symbol	Control	Return	Flow rate (NI/min)	Pressure bar	Times (ms)		Weight Kg	Part no.
					En.	De-en.		
	electrical amplified	pneumomechanical spring	770	1,5÷9	21	30	0,112	G-6240 G-6250
	electrical amplified	mechanical spring	770	1,5÷9	18	64	0,112	G-6241 G-6251

Double electric impulse



- A Manual override
- B Coil with connector for single connection
- C External servoassisted pilot
- D Coil with intergrated connector for multipolar version DD-051**C

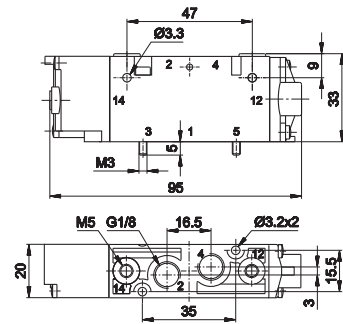
- 1 = Supply port
- 2 - 4 = Use
- 3 - 5 = Exhaust
- 14 = Control
- 12 = Return

Symbol	Control	Return	Flow rate (NI/min)	Pressure bar	Times (ms)		Weight Kg	Part no.
					En.	De-en.		
	electrical amplified	electrical amplified	770	0,6÷9	16	16	0,143	G-6244 G-6255
	electrical amplified	electrical amplified	700	1,9÷9	16	47	0,148	G-6344 G-6355
	electrical amplified	electrical amplified	700	2,0÷9	16	47	0,148	G-6444 G-6455
	electrical amplified	electrical amplified	700	1,9÷9	16	47	0,148	G-6544 G-6555
	electrical amplified	electrical amplified	670	1,5÷9	14	17	0,140	G-6644 G-6655
	electrical amplified	electrical amplified	670	1,5÷9	14	17	0,140	G-6744 G-6755
	electrical amplified	electrical amplified	670	1,5÷9	14	17	0,140	G-6844 G-6855

o.c. = open centres c.c. = closed centres p.c. = pressurized centres

Solenoid valves are supplied without coil and connector

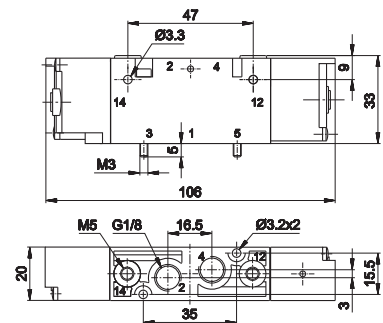
Single pneumatic impulse



1 = Supply port 14 = Control
 2 - 4 = Use 12 = Return
 3 - 5 = Exhaust

	Symbol	Control	Return	Flow rate (NI/min)	Pressure bar	Times (ms)		Weight Kg	Part no.
						En.	De-en.		
5/2		pneumatic amplified	pneumomechanical spring	770	1,5÷10	7	16	0,092	G-6230
5/2		pneumatic amplified	mechanical spring	770	1,5÷10	6	18	0,092	G-6231

Double pneumatic impulse



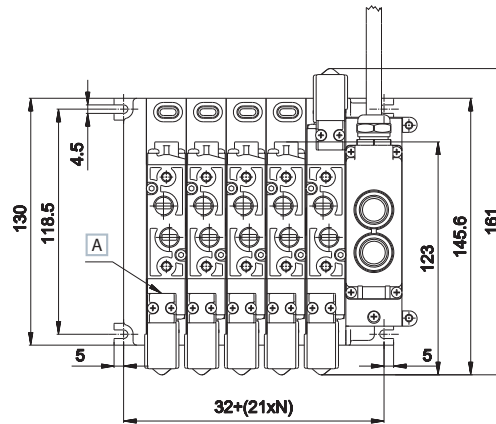
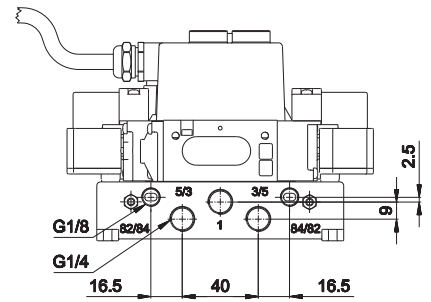
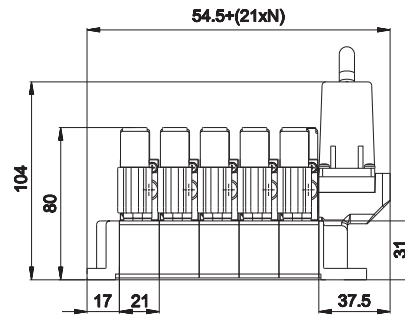
1 = Supply port 14 = Control
 2 - 4 = Use 12 = Return
 3 - 5 = Exhaust

	Symbol	Control	Return	Flow rate (NI/min)	Pressure bar	Times (ms)		Weight Kg	Part no.
						En.	De-en.		
5/2		pneumatic amplified	pneumatic amplified	770	0,7÷10	5	5	0,103	G-6233
5/3 c.c.		pneumatic amplified	pneumatic amplified	700	1,9÷9	6	19	0,192	G-6333
5/3 o.c.		pneumatic amplified	pneumatic amplified	700	2,0÷9	6	19	0,192	G-6433
5/3 p.c.		pneumatic amplified	pneumatic amplified	700	1,9÷9	6	19	0,192	G-6533
3/2 NC + 3/2 NC		pneumatic amplified	pneumatic amplified	670	1,5÷9	3	14	0,188	G-6633
3/2 NC + 3/2 NO		pneumatic amplified	pneumatic amplified	670	1,5÷9	3	14	0,188	G-6733
3/2 NO + 3/2 NO		pneumatic amplified	pneumatic amplified	670	1,5÷9	3	14	0,188	G-6833

o.c. = open centres c.c. = closed centres p.c. = pressurized centres

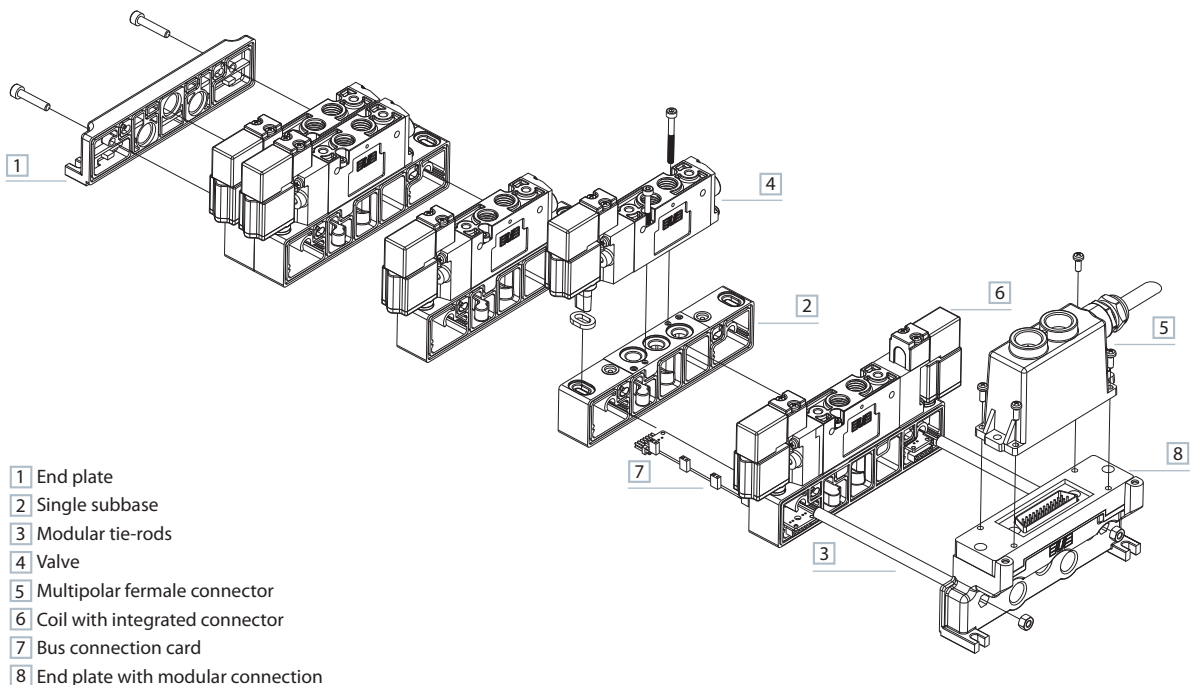
3
Spool valves

Multipolar electrical connection



A Manual override

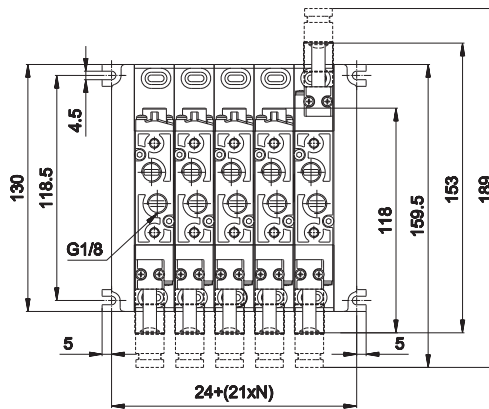
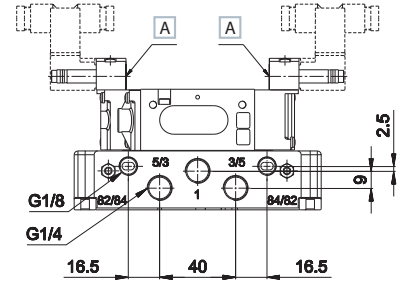
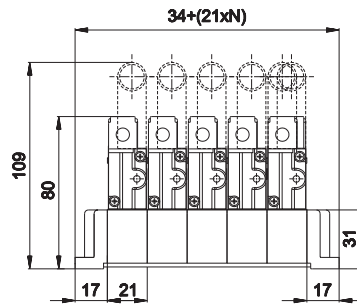
1 = Supply port
5/3 - 3/5 = Exhaust G1/4
82/84 - 84/82 = Electropilot exhaust G1/8
N = Number of valve positions



Tightening torque for fittings

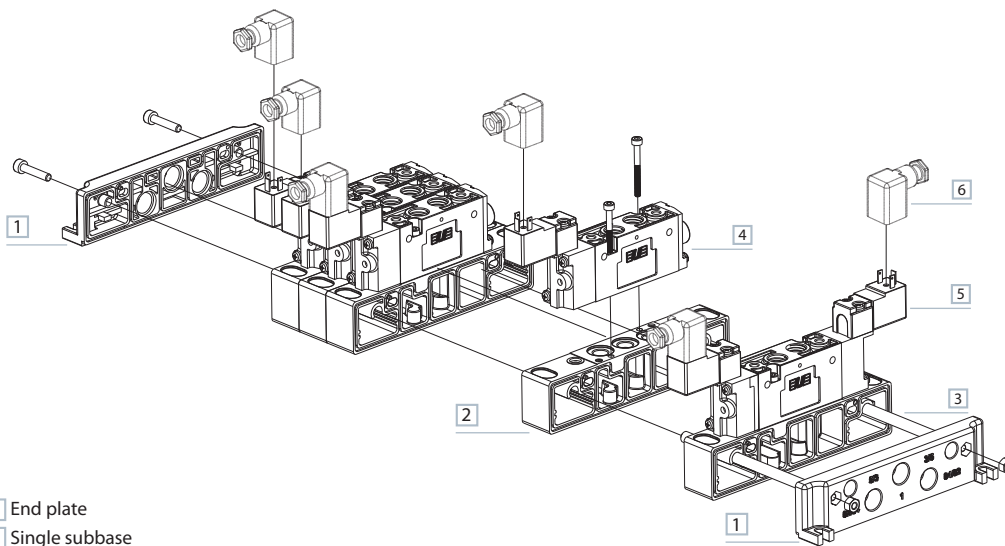
Thread	max pair (Nm)
M5	3
M7	3
G1/8	3
G1/4	10

Electrical connection with external connector



A Manual override

1 = Supply port
 5/3 - 3/5 = Exhaust G1/4
 82/84 - 84/82 = Electropilot exhaust G1/8
 N = Number of valve positions

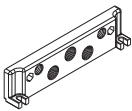


- 1 End plate
- 2 Single subbase
- 3 Modular tie-rods
- 4 Valve
- 5 Coil
- 6 Single connector

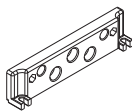
Tightening torque for fittings

Thread	max pair (Nm)
M5	3
M7	3
G1/8	3
G1/4	10

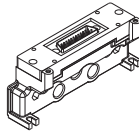
GP-6100 GP-6110 GP-611212 GP-611806 GP-6310/1/2 GP-6320/1/2



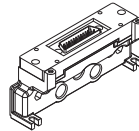
threaded end plate
weight: 0,046 Kg



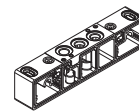
blank end plate
weight: 0,050 Kg



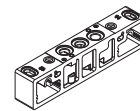
threaded end plate with
male connector
25 poles 12+12 coils
control 12-14
weight: 0,100 Kg



threaded end plate with
male connector
25 poles
18 coils control 14
6 coils control 12
(only for control 14
more than 12 coils max 18)
weight: 0,102 Kg

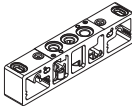


sub-base with
open diaphragms
GP-6310 without
electrical connection
GP-6311 monostable
GP-6312 bistable
weight: 0,060 Kg



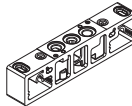
sub-base with
closed diaphragms
GP-6320 without
electrical connection
GP-6321 monostable
GP-6322 bistable
weight: 0,062 Kg

GP-6330/1/2 GP-6340/1/2 GP-6380 GP-6385



3 1 5

sub-base with
closed supply and
open exhausts
GP-6330 without
electrical connection
GP-6331 mostable
GP-6332 bistable
weight: 0,062 Kg



3 1 5

sud-base with
open supply and
closed exhausts
GP-6340 without
electrical connection
GP-6341 mostable
GP-6342 bistable
weight: 0,062 Kg



intermediate supply plate
(to be used only with
GP-63... series) sub-base
weight: 0,036 Kg



closing plate for
unused station
weight: 0,018 Kg

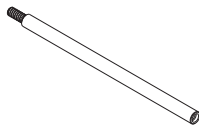
GP-6400-1 GP-6400-2 GP-6400-5 GP-6512-01/..MF GP-6514-01/..MF GP-651418



modular tie-rod
1 valve place
weight: 0,004 Kg
(package 100 pcs.)



modular tie-rod
2 valve places
weight: 0,010 Kg
(package 100 pcs.)



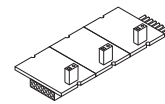
modular tie-rod
5 valve places
weight: 0,022 Kg
(package 100 pcs.)



BUS connection card
control side 12 with 12 pin
GP-6512-01MF 1 place
GP-6512-02MF 2 places
GP-6512-03MF 3 places
GP-6512-05MF 5 places
GP-6512-06MF 6 places
weight: 0,003 Kg
(for each place)



BUS connection card
control side 14 with 12 pin
GP-6514-01MF 1 place
GP-6514-02MF 2 places
GP-6514-03MF 3 places
GP-6514-05MF 5 places
GP-6514-06MF 6 places
weight: 0,003 Kg
(for each place)

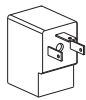


BUS connection card
control side 14 with 18 pin
(only 12 places)
for manifolds with
control 14 and more than 12
coils up to 18 coils use
GP-651418 card 12 places
and then GP-6514-...
weight: 0,003 Kg
(for each place)

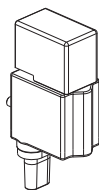
AZ4-VN0416 screw M04x16 for tie-rods (package 100 pcs.)
AZ4-SN004A hexagonal nut M4 (package 100 pcs.)

upon request customized solutions up to 12 places

DD-051 DD-051C**



24 V CC 2 W coil
for single connection
weight: 0,019 Kg



24 V CC 2 W coil
with integrated connector
for multipolar version
weight: 0,028 Kg