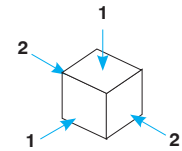
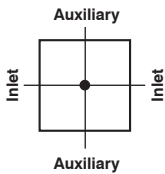
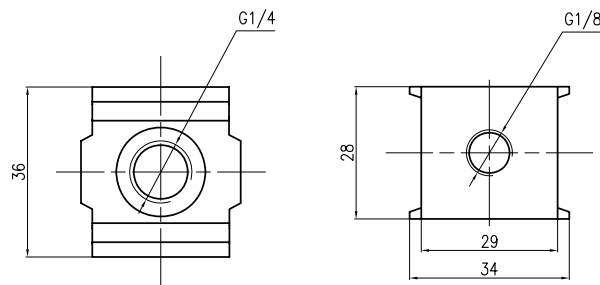


**Size 0** **G1/8**



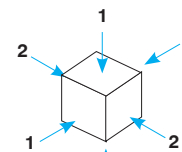
1 = auxiliary  
2 = inlet-outlet

	<b>HZON08G Size 0</b>
Threaded port	G1/8
Max. inlet pressure <b>bar</b> - MPa - psi	<b>10</b> - 1 - 145
Fluid	filtered air
Min/max. temperature °C	5 ÷ 60
Weight in kg	0,065



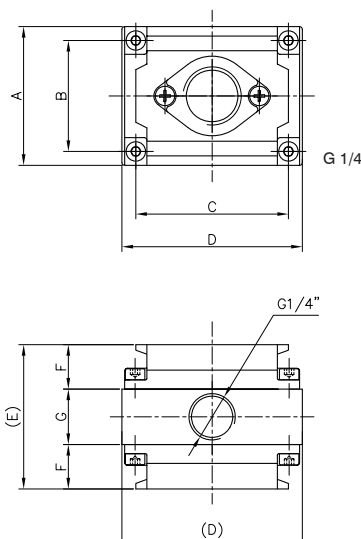
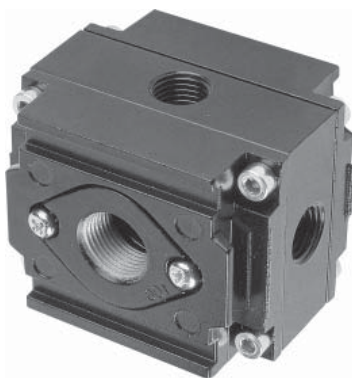
**Size 1** **1/4 - 3/8 - 1/2**  
**Size 2** **3/8 - 1/2 - 3/4**

Auxiliary ports on 4 sides are G1/4.



1 = auxiliary  
2 = inlet-outlet

	<b>HZ1N... Size 1</b>	<b>HZ2N... Size 2</b>
Threaded port	G1/4 - G3/8 - G1/2	G3/8 - G1/2 - G3/4
Max. inlet pressure <b>bar</b> - MPa - psi	<b>10</b> - 1 - 145	
Fluid	filtered air	
Min/max. temperature °C	5 ÷ 60	
Weight in kg	0,32	0,48



Overall dimensions

	<b>Size 1</b>	<b>Size 2</b>
A	50	50
B	40	42
C	55	73
D	65	80
E	52	58
F	16	19
G	20	20