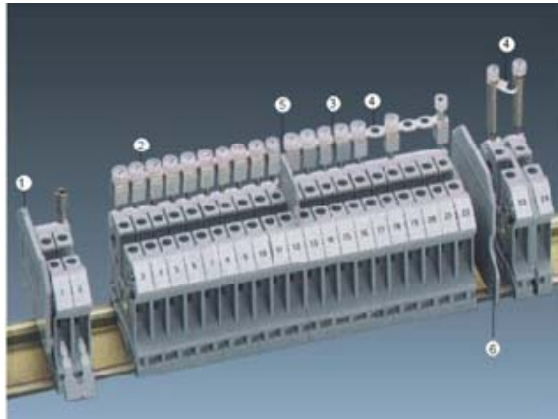
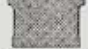

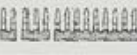
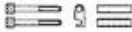



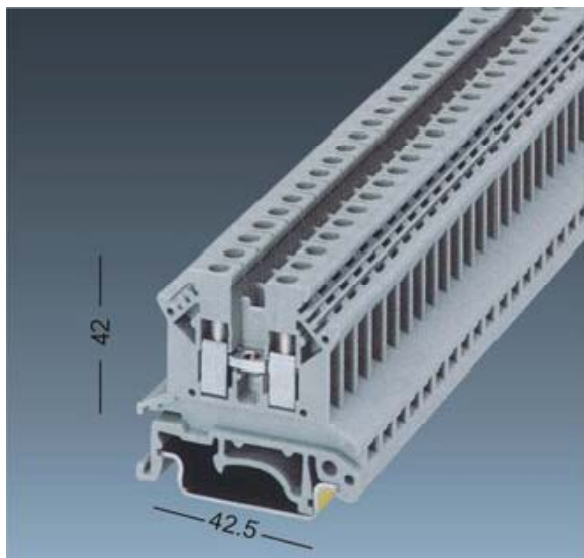


JUK(UK) Normal terminal series



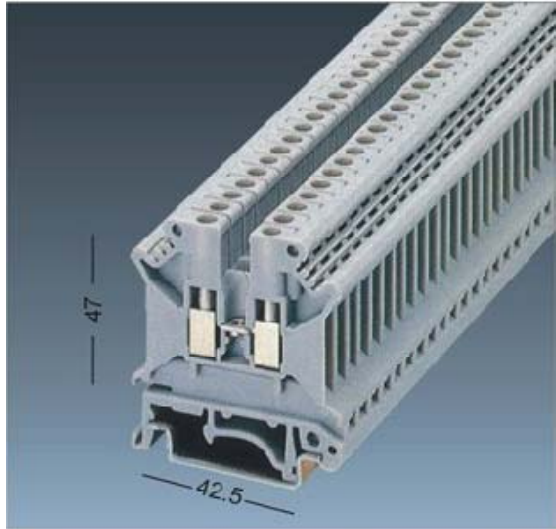
Illustration

- (1) End board: 1.5mm thick Gray 
- (2) Central jumper bar: 10 pieces.
Can be divided freely: 2 pieces 3 pieces 
- (3) Side-plug short connecting fittings: 2 pieces entire insulation, entire insulation 3 pieces Separable; back insulation 10 pieces 
- (4) Switching jumper for 2 terminals:
A complete set. An end board is needed between 2 terminals. 
- (5) Divider: For dividing electric pieces 
- (6) Group separating board: 1.5mm thick 
- (7) Universal terminal fastener 



| Type | Thickness of terminal 6.2 | |
|-----------------|---------------------------|--------------------------------|
| JUK 2,5B | Hard lead | Soft lead |
| | [mm ²] | CE CQC Certificate |
| IEC 947-7-1 | 0.2-1 | 0.2-2.5 With label strip (ZB6) |
| | Current 32A | Voltage 800V In 3 type |

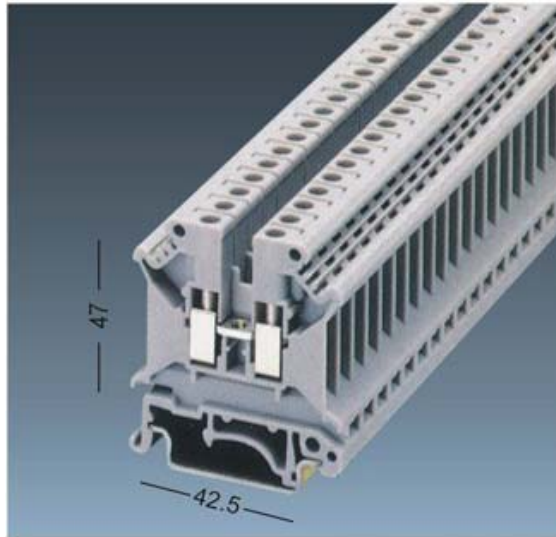
| | |
|---------------------|--|
| D-JUK 2.5 | |
| FBI 10-6 | |
| JSSBI 10-6 ISK 4 | |
| JLSBR 2-7 | |
| TS-K | |
| ATP-JUK | |
| E/JUK | |



Type Thickness of terminal 5.2

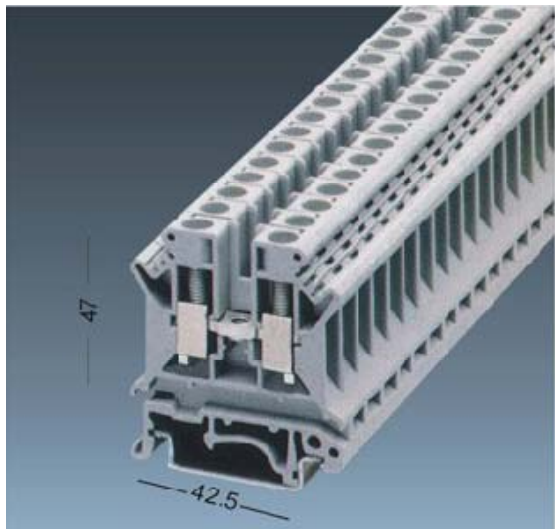
JUK 3N Hard lead Soft lead
IEC 947-7-1 0.2-4 0.2-2.5 **CE CQC Certificate**
Current 32A Voltage 800V With label strip (ZB5) In type

| | |
|------------|--|
| D-JUK 4/10 | |
| FBI 10-5 | |
| TS-K | |
| ATP-JUK | |
| E/JUK | |

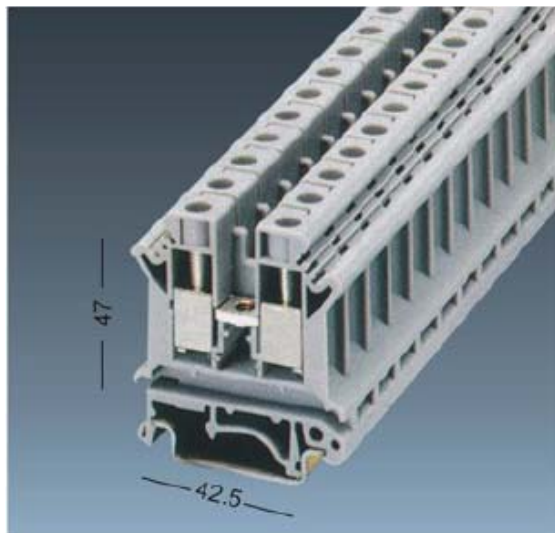


JUK 5N Hard lead Soft lead
IEC 947-7-1 0.2-6 0.2-4 **CE CQC Certificate**
Current 41A Voltage 800V With label strip (ZB6) In type

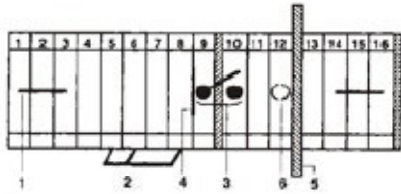
| | |
|------------|--|
| D-JUK 4/10 | |
| FBI 10-6 | |
| ISSBI 10-6 | |
| IS-K 4 | |
| JUSBR 2-7 | |
| TS-K | |
| ATP-JUK | |
| E/JUK | |



| JUK 6N | | Hard lead [mm ²] | Soft lead [mm ²] | CE CQC Certificate |
|---------------|--|---------------------------------|---------------------------------|------------------------|
| IEC 947-7-1 | | 0.2-10 | 0.2-6 | With label strip (ZB8) |
| | | Current 57A | Voltage 800V | In 3 type |
| D-JUK 4/10 | | | | |
| FBI 10-8 | | | | |
| ISEI 10-8 | | | | |
| ISK 10 | | | | |
| JUR 2-8/13 | | | | |
| TS-K | | | | |
| ATP-JUK | | | | |
| E/JUK | | | | |



| JUK 10N | | Hard lead [mm ²] | Soft lead [mm ²] | CE CQC Certificate |
|----------------|--|---------------------------------|---------------------------------|-------------------------|
| IEC 947-7-1 | | 0.5-16 | 0.5-10 | With label strip (ZB10) |
| | | Current 75A | Voltage 800V | In 3 type |
| D-UK 4/10 | | | | |
| FBI 10-10 | | | | |
| ISEI 10-10 | | | | |
| ISS-K 10 | | | | |
| TS-K | | | | |
| ATP-JUK | | | | |
| E/JUK | | | | |



Illustration

(1) End board: 1.5mm thick

Gray



(2) Fixed jumper bar: Used in the center of the terminals for horizontal connection. The head of the screws is equipped with an insulation ring. 10 pieces. Separable. 10 screws included.



(3) Side-plug short connecting fittings: 2 pieces
entire insulation, entire insulation 3 pieces
Separable; back insulation 10 pieces



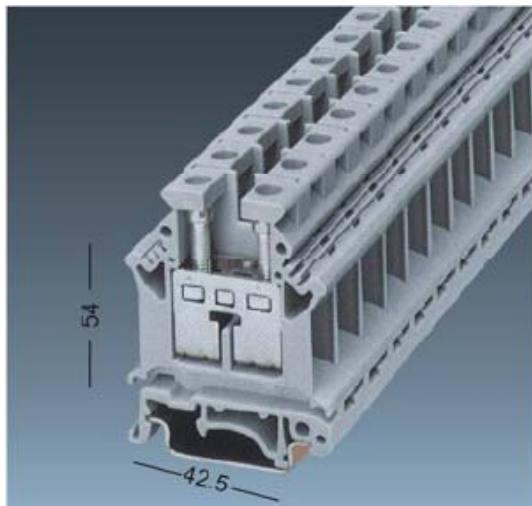
(4) Divider: For separating neighboring jumpers electrically. Can be inserted afterwards, occupying no space of the rails.



(5) Group separating board: For separating terminal groups visually and electrically 1.5mm thick.



(6) Universal terminal fastener

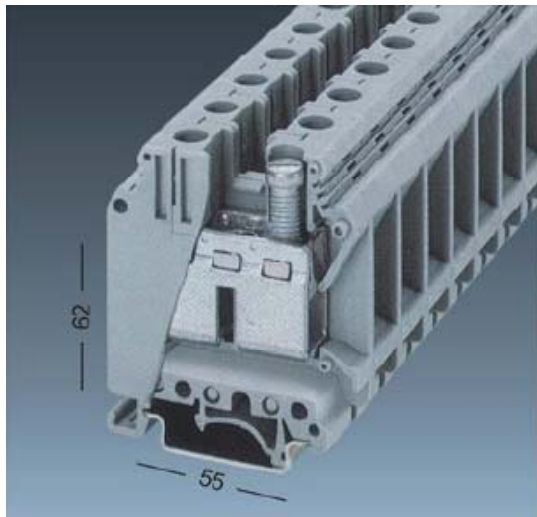


Type

Thickness of terminal 12.2

| JUK 16N | Hard lead | Soft lead | CE CQC Certificate |
|-------------|--------------------|--------------|-------------------------|
| | [mm ²] | | |
| IEC 947-7-1 | 2.5-25 | 4-16 | With label strip (ZB10) |
| | Current 101A | Voltage 800V | In C type |

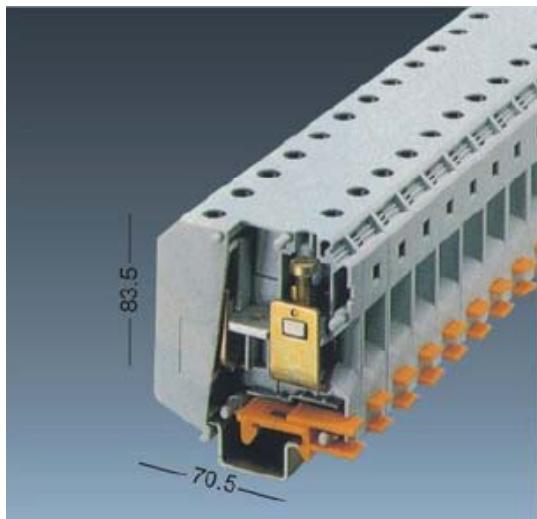
| | |
|-----------|--|
| D-JUK 16 | |
| FBI 10-12 | |
| TS-K | |
| ATP-JUK | |
| EJUK | |



Type Thickness of terminal 15.2

| JUK 35 | Hard lead | Soft lead | CE CQC Certificate |
|-------------|--------------------|--------------------|-------------------------|
| | [mm ²] | [mm ²] | |
| IEC 947-7-1 | 10-35 | 10-35 | With label strip (ZB10) |
| | Current 125A | Voltage 800V | In ⏏ type |

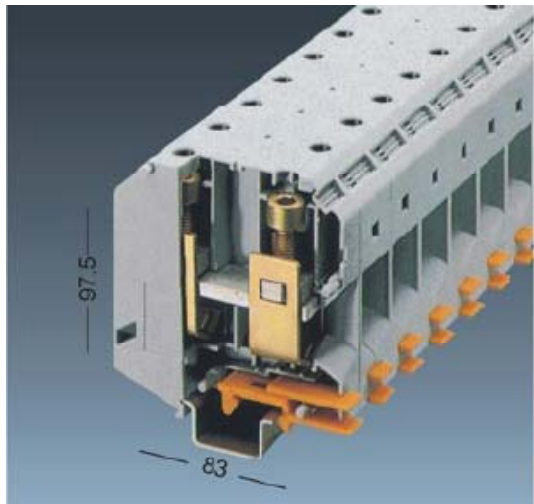
| | |
|--------------------------------------|--|
| FBI 2-15 FBI 3-15 | |
| T-S-K | |
| Sealed casing, unnecessary end board | |
| E/JUK | |



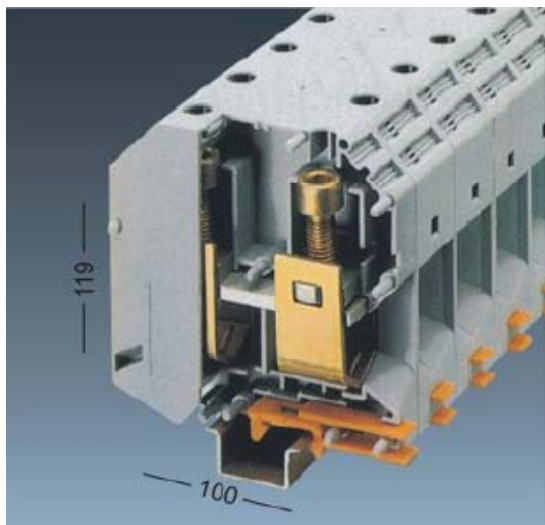
Type Thickness of terminal 20.0

| JUKH 50 | Core lead | Multi-strand lead | CE CQC Certificate |
|-------------|--------------------|--------------------|-------------------------|
| | [mm ²] | [mm ²] | |
| IEC 947-7-1 | 16-50 | 25-50 | With label strip (ZB10) |
| | Current 150A | Voltage 1000V | In ⏏ type |

| | |
|--|--------------------------------|
| FBI 2-20 FBI 3-20 | |
| (1) Side-inserted jumper bar, completed insulation inserted in the wire-clip and installed on the casing of terminal. | 2 Potential 3 Potential |
| Aluminum alloy | E/AL-NS 35 |
| (2) Fixed knut for fixing the end terminal type JUKH50, 95 and 150. Fixing on the guide with two screws. Aluminum products. Width in 10mm. Used on the ⏏ shaped guide. | |



| Type | Thickness of terminal 25.0 | | |
|----------------|------------------------------|--------------------------------------|-------------------------|
| JUKH 95 | Core lead [mm ²] | Multi-strand lead [mm ²] | CE CQC Certificate |
| IEC 947-7-1 | 25-95 | 35-95 | With label strip (ZB10) |
| | Current 232A | Voltage 1000V | In type |
| EB 2-25 | | | |
| EB 3-25 | | | |
| E/AL-NS 35 | | | |



| Type | Thickness of terminal 31.0 | | |
|-----------------|------------------------------|--------------------------------------|-------------------------|
| JUKH 150 | Core lead [mm ²] | Multi-strand lead [mm ²] | CE CQC Certificate |
| IEC 947-7-1 | 35-150 | 50-150 | With label strip (ZB10) |
| | Current 309A | Voltage 1000V | In type |
| EB 2-31 | | | |
| EB 3-31 | | | |
| E/AL-NS 35 | | | |