



ЕЛЕКТРОЛУКС Electrolux

Factory - Intelligent Engineering, Shop, Sales and Service

2400 SERIES FUNCTIONAL FEATURES



A product specially devised for use in educational establishments, meeting rooms and eating areas.

This chair features a central column that supports the table and also has two automatic fold-away arms that support the seats. In other words, each foot supports two seats and the table. This system ensures that whenever a seat is vacated, it automatically folds away against the table. This means that there is always plenty of free space for people to move along between the rows, thereby enhancing safety, making the room easier to clean and keeping the user in the best position for working at the table. The normal arrangement is to have several columns –each supporting two seats- linked by a single common tabletop.

The structure consists of a central aluminium column with two arms, one on either side, pivoting sideways on an automatic folding mechanism. The seats are attached to these arms with a swivel and automatic fold-away mechanism. Starting from the position in which the seat is flush up against the table, it simultaneously makes two movements.

Ovo je crtež e sopstvenost na Electrolux-Bitola. Bez negovo pismeno odobruvanje istiot nesmee da se prepisuva , umnozava niti kopira bez soglasnost od Electroluks vo sprotno se snosat posedici vo smislana clenovite 163 i 164 od krivcniot zakon R.M. (povreca na avtorsko pravo)

Electroluks is registered trademark of Elektroluks companies in Macedonia and other countries

Adresa: ul.Braka Mingovi 18, 7000 Bitola; tel: 047/203-330 ,203 900ul.A.Guslarot.1a 02/329 8 130 Skopje

www.electrolux.com.mk www.elektroluks.com.mk e-mail: elek-palenzo@mt.net.mk



ЕЛЕКТРОЛУКС Electrolux

Factory - Intelligent Engineering, Shop, Sales and Service

On the one hand, the seat moves away from the table as the arm moves out, while on the other, the seat pivots to take up the best position for using the table. Once the user has sat down, the seat can always be adjusted to the most suitable working position.



The standard seat is Figueras' K-7000 model. It is made of polypropylene, although it can be fitted with different kinds of upholstery. The Venus 8000 seat, either in plain polypropylene or upholstered, can also be used.



The table consists of a 30 mm-thick high density plywood top. Both sides are vinyl-coated and a semicircular PVC border runs right the way round the edge. All edges have been rounded for user safety. These tops are modular units and are used as a single, continuous table for a whole row of seats. Optionally, the tabletop may be made of a different material or have a different finish.

Ovo je crtež e sopstvenost na Electrolux-Bitola. Bez negovo pismeno odobruvanje istiot nesmee da se prepisuva ,umnozava niti kopira bez soglasnost od Electroluks vo spratvno se snosat posedici vo smistana clenovite 163 i 164 od kvivcniot zakon R.M. (povreda na avtorsko pravo)

Electroluks is registered trademark of Elektroluks companies in Macedonia and other countries

Adresa: ul.Braka Mingovi 18, 7000 Bitola; tel: 047/203-330 ,203 900ul.A.Guslarot.1a 02/329 8 130 Skopje

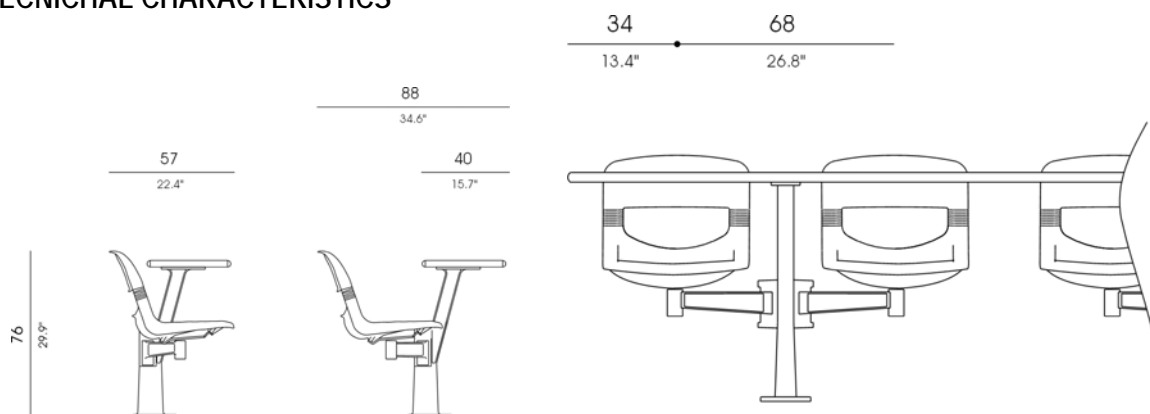
www.electrolux.com.mk www.elektroluks.com.mk e-mail: elek-palenzo@mt.net.mk



ЕЛЕКТРОЛУКС Electrolux

Factory - Intelligent Engineering, Shop, Sales and Service

TECNICAL CHARACTERISTICS



POLYPROYLENE:

Material: IF-727 Copolymer Polypropylene
Resistance to breakage DIN 53455 : 28 N/ mm²
Resistance to impact DIN 53453: without breakage

PAINT:

Electrostatic powder epoxy
Coating thickness: 70-80 micra
Grid adherence: 100%

UPHOLSTERY:

Pilling: Index 5 BS 5811

ALUMINIUM:

Material: UNE L-2630
Breaking Load: 20 Kg./ mm²

FIRE STANDARS

England: BS5852. Section 5. Ignition Sources 0, 1 and 5
Germany: DIN54342 part 1 and 2
Italy: CSE RF/4/83 classe 1. IM
Spain/France: UNE 23727/NF 92-503
Upholstery: M1 / Foam: M4 / Plastic M3

WEIGHT: 25 Kg.

VOLUME: 0,17 m³ (K.D)

Adresa: ul.Braka Mingovi 18, 7000 Bitola; tel: 047/203-330 ,203 900ul.A.Guslarot.1a 02/329 8 130 Skopje

www.electrolux.com.mk www.elektroluks.com.mk e-mail: elek-palenzo@mt.net.mk

Ovo je crtež e sopstvenost na Electrolux-Bitola. Bez negovo pismeno odobruvanje istiot nesmee da se prepisuva , umnozava niti kopira bez soglasnost od Electroluks vo sprotivno se snosat posledici vo smistana clenovite 163 i 164 od kriticniot zakon R.M. (povreda na avtorsko pravo)

Electroluks is registered trademark of Elektroluks companies in Macedonia and other countries