



New Programmable Thermocouple or RTD Signal Conditioners Offer Improved Accuracy And Reliability

Watlow's new Series 5750 temperature transmitters offer remarkably accurate temperature measurement and improved reliability which reduces downtime and costs.

The new 5750 Series 2-wire signal conditioner is constructed using surface mount technology and utilizes digital technology with non-volatile memory. It is designed to fit directly into universal aluminum or universal iron connection heads with a separate mounting kit.

The transmitter is programmed via a separate connection cable along with an easy-to-use Windows®-based software program. There is no need to use a separate thermocouple/RTD calibrator; nor are individual resistors required.

The Series 5750 provides linearization between temperature sensor input signal and the 4-20 mA output signal, ensuring accurate temperature measurements over a wider range.

Contact our customer service department to integrate this transmitter into a Watlow Style AR or AT thermocouple sensor or a Watlow Style RR or RT RTD sensor.

Windows® is a registered trademark of Microsoft Corporation.

Features and Benefits

Full temperature to thermocouple signal linearization over the complete operating temperature span

- Ensures signal accuracy

Fits into XL-Series or DIN B connection head

- Easy to install

Programmable

- Ensures greater convenience for future changes and inventory efficiency

User selectable input types

- Thermocouple calibration types B, C, E, J, K, N, R, S and T; RTD Pt100, DIN or JIS

CE marked

- Compliant to electromagnet interference

NAMUR compliant

- Increased safety

No external power supply needed for ranging

- Ease of use

Your Authorized Watlow Distributor Is:



5710 Kenosha Street
 Richmond, Illinois 60071 USA
 Phone: 815-678-2211
 FAX: 815-678-3961
 Internet: www.watlow.com
 e-mail: info@watlow.com

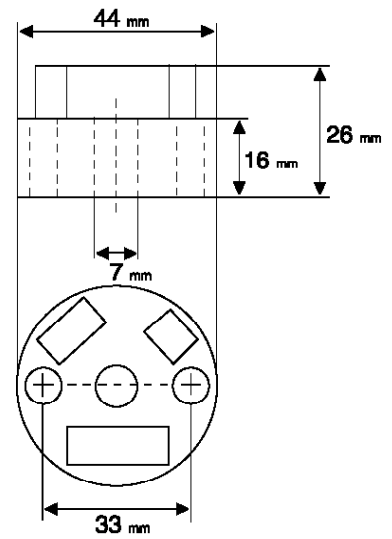
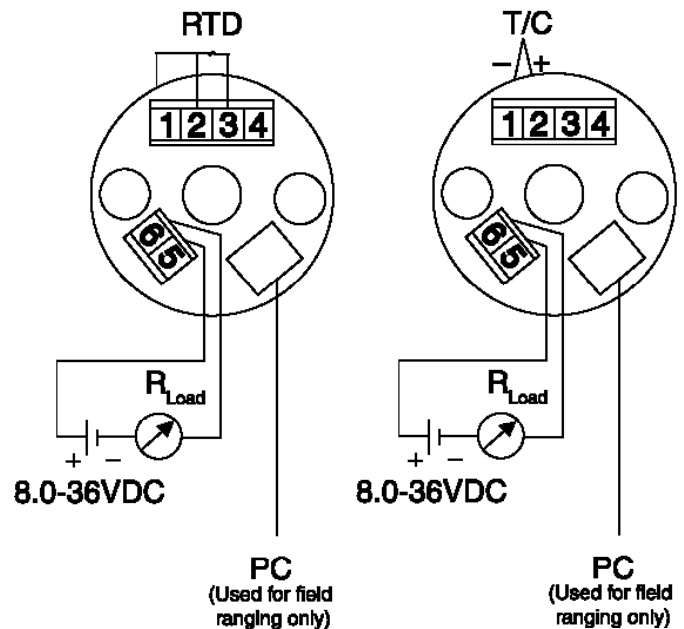
RIC-5750-100

ISO 9001
 Certified



Specifications

- **Operating voltage:** 8 to 36 volts (the 5750 is protected against voltage surges and reverse polarity)
- **Sensor burn out protection:** A pulsed current is continuously checking all sensor leads for disconnect. The output will go upscale or downscale.
- **Minimum input signal:** RTDs: 10°C, Thermocouples: 2mV
- **Operating temperature:** -40 to +85°C
- **Response time appr.:** 0.5 seconds
- **RFI sensitive:** 20 - 1000 MHz, 10V/m typical <0.1% (of end value)
- **Permissible ripple of supply:** 4V p-p
- **Long term stability:** 0.2% per year
- **Calibration inaccuracy, thermocouples:** max of 20µ volts or 0.01%
- **Temperature effect:** cold junction compensation ± 0.5°C
- **Housing:** PC, ABS/VO connection polyamid / V2
- **Mounting:** DIN B or DIN RAIL with Part #30413301
- **Non-Isolated**



Ordering Information

1 2 3 4 5 6 7 8 9 10 11 12 13 14 15

1-4. Series

5750 = Linearized T/C or RTD

5. Sensor Type

B = Type B T/C	R = Type R T/C
C = Type C T/C	S = Type S T/C
E = Type E T/C	T = Type T T/C
J = Type J T/C	O = 3-Wire RTD 100
K = Type K T/C	
N = Type N T/C	

6. Low Temperature Sign

(Enter + or - sign)

7-9. Low Temperature

10. High Temperature Sign

(Enter + or - sign)

11-14. High Temperature

15. Unit of Measure (°C/°F)

Program cable and software part #5750-CABLE (Required for optional future changes)

United States Sales Offices: Atlanta/Greenville, (770)908-9164 • Austin, (512)249-1900 • Charlotte/Columbia, (704)541-3896 • Chicago, (847)458-1500 • Cincinnati, (513)398-5500 • Cleveland, (330)467-1423 • Dallas, (972)620-6030 • Denver, (303)798-7778 • Detroit, (248)651-0500 • Houston, (281)440-3074 • Indianapolis, (317)575-8932 • Kansas City, (913)897-3973 • Los Angeles, (714)935-2999 • Maryland/Virginia, (410)840-8034 • Minneapolis, (612)431-5700 • Nashville, (615)264-6148 • New England, (603)882-1330 • New York/New Jersey/Philadelphia, (215)345-8130 • New York, Upstate, (716)438-0454 • Orlando, (407)351-0737 • Phoenix, (602)708-1995 • Pittsburgh, (412)322-5004 • Portland, (503)245-9037 • St. Louis, (314)878-4600 • Sacramento, (707)425-1155 • San Diego, (760)728-9188 • San Francisco, (408)980-9355 • Seattle, (425)222-4090 • Tampa/St. Petersburg, (813)926-3600 • Tulsa, (918)496-2826 • Winston Salem/Raleigh, (336)766-9659 • Wisconsin, (414)723-5990

Asian Sales Offices: Australia, +61 (3) 9335-6449 • China, +86 (21) 6229-8917 • Japan, +81 (3) 5403-4688 • Korea, +82 (2) 563-5777 • Malaysia, +60 (4) 641-5977 • Singapore, +65 777-5488 • Taiwan, +886 (0) 7-261-8397 **European Sales Offices:** France, +33 (1) 3073-2425 • Germany, +49 (0) 7253-9400-0 • Italy, +39 (02) 458-8841 • United Kingdom, +44 (0) 115-964-0777

Latin American Sales Office: Mexico, +52 (42) 17-6235

For other product information, call Watlow's FAX REPLY: United States +1 (800) 367-0430 • Outside the United States +1 (732) 885-6344