



Handle AL

Part. N° 21.1138

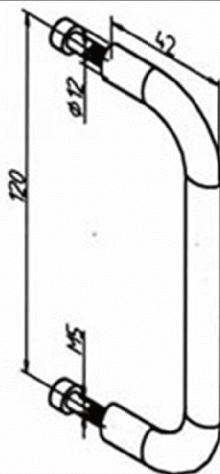


APPLICATIONS

- Show cases

- Small doors

- Cabinets



EL

News

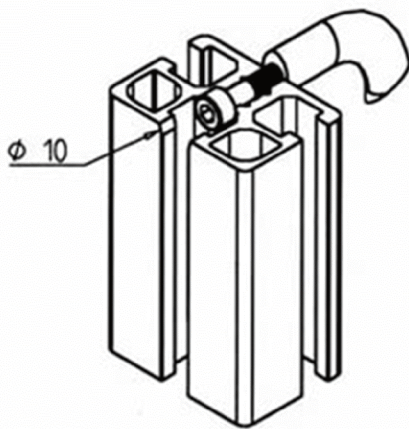
Electrolux
Macedonia
Palenzo

TECHN. DATA / ITEMS SUPPLIED

- Aluminum Handle, Anodized

- 2 M5x25 socket head cap screw

- Weight - .05 kg



ASSEMBLY

- Drill Ø5.5mm thru, C'bore Ø10mm to slot bottom (2 plcs)

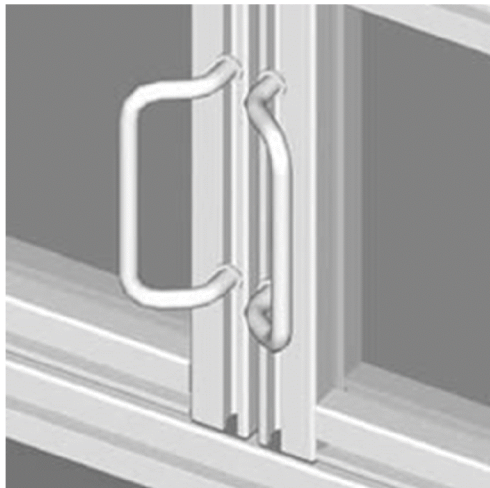
- Order correct screw length for other mounting configurations

- Tapped hole 11mm deep



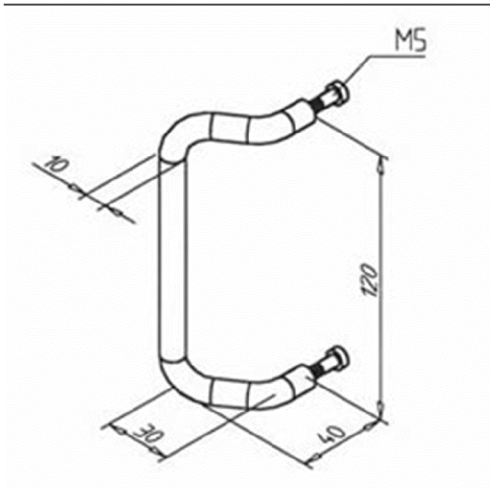
Handle AL Angled

Part. N° 21.1348



APPLICATIONS

- Show cases
- Light doors
- Cabinets



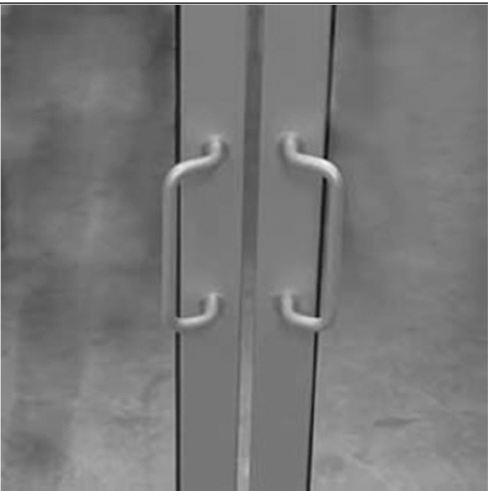


TECHN. DATA / ITEMS SUPPLIED

- Aluminum Handle, Anodized

- 2 M5x25 socket head cap screws

- Weight - .05 kg



ASSEMBLY

- Drill \varnothing 5.5mm thru, C'bore \varnothing 10mm to slot bottom (2 plcs)

- Tapped holes are 11mm Deep



Profile Handle

Part. N° 21.1051



APPLICATIONS

- Handle for large doors



TECHN. DATA / ITEMS SUPPLIED

- 1 45x19 profile L =300mm or specify



- 2 45x32 profile drilled out for M8 screw

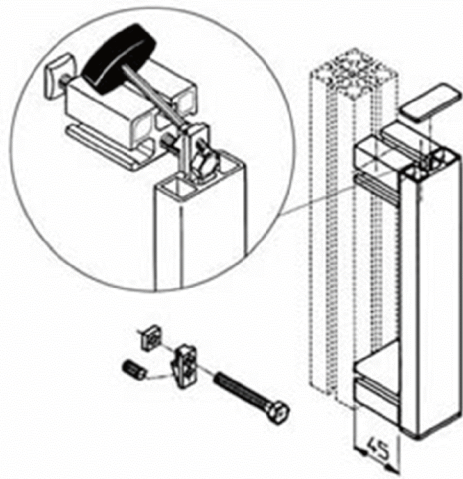
- 2 Power-lock

- 2 M8x70 SHCS

- 2 45x19 gray end caps

- 2 M8 square nuts

- Weight - .502 kg



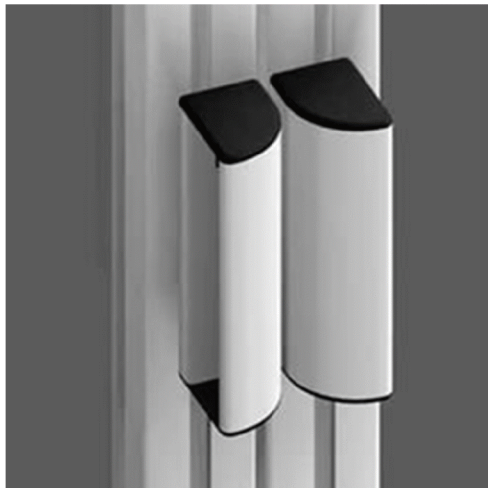
ASSEMBLY

- Slide Power-Lock into door frame profile & tighten angled set screw



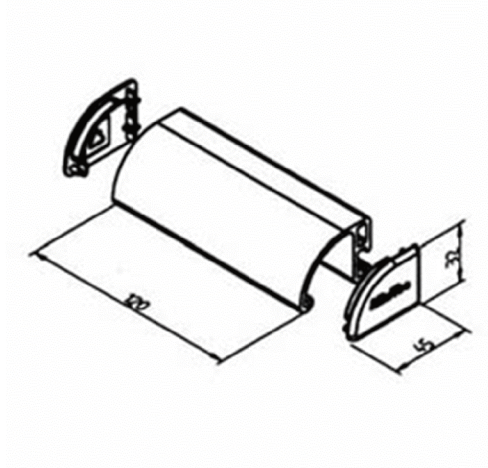
Closed Protective Handle

Part. N° 21.1048



APPLICATIONS

- Prevents finger pinch for double doors
- Machine guards
- Counterweighted vertical sliding doors





TECHN. DATA / ITEMS SUPPLIED

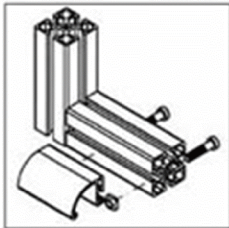
- Handle Profile L= 120mm or specify

- Left end cap gray plastic

- Right end cap gray plastic

- Fastening hardware sold seperately

- Weight - .113 kg



ASSEMBLY

- Fasten to t-slot in handle from back side of door
-
- T-slot width 8.5mm

 - T-slot depth 8.5mm

 - T-slot accepts MiniTec's standard square nuts
-



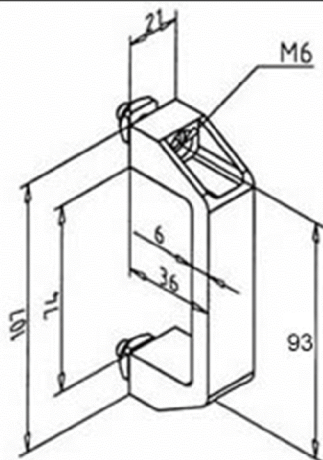
Handle 90 Gray

Part. N° 21.1099/1



APPLICATIONS

- Smaller doors
- Machine guard doors & lids
- Cabinet doors
- See Handle 120 & 180 for larger doors





TECHN. DATA / ITEMS SUPPLIED

- Pull handle, PA 6.6, Gray

- 2 M6x20 socket head cap screws

- 2 M6 square nuts

- Available in black Part # 21.1099

- Weight .025 kg



ASSEMBLY

- Attach to t-slots with supplied screws & nuts

- Drill & tap M6x1 on 93mm centers



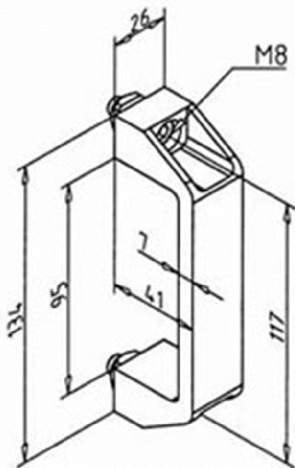
Handle 120 Gray

Part. N° 21.1092/1



APPLICATIONS

- Machine guard & enclosure doors



TECHN. DATA / ITEMS SUPPLIED

- Pull handle, Plastic PA 6.6 Gray



- 2 M8x20 SHCS, Part # 21.1202

- 2 M8 square nuts, Part # 21.1351

- Available in black 21.1092

- Weight .074 kg



ASSEMBLY

- Fasten to t-slots with included screws & nuts

- Drill & tap M8x1.25, 2 plcs, on 117mm centers



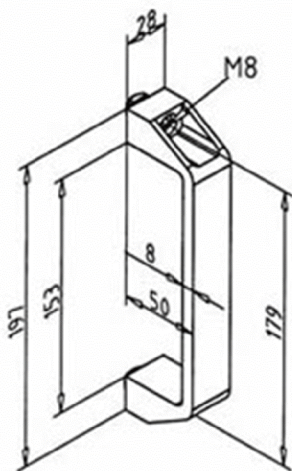
Handle 180

Part. N° 21.1094/1



APPLICATIONS

- Machine guard & enclosure doors



TECHN. DATA / ITEMS SUPPLIED

- Handle, gray plastic, PA 6.6



- 2 M8x22 socket head cap screws

- 2 M8 square nuts

- Available in black part # 21.1094

- Weight .099kg



ASSEMBLY

- Mount to t-slots with supplied screws & nuts

- Drill & tap two M8x1.25 holes on 179mm centers

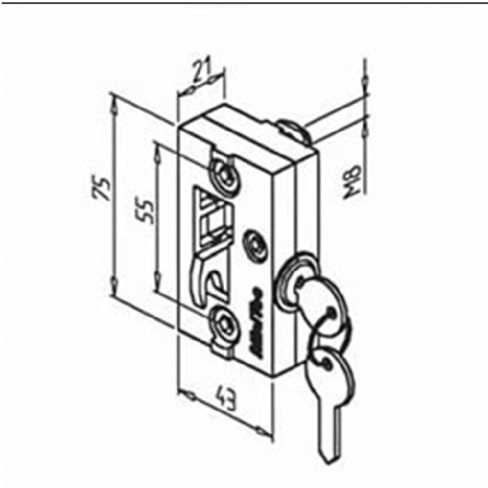
Door Lock

Part. N° 21.1750/5



APPLICATIONS

- Latch and lock for sliding & swinging doors
- Suitable for left or right hand mounting



TECHN. DATA / ITEMS SUPPLIED



- Gray plastic housing, PA 6.6

- 1 Cylinder lock with two keys

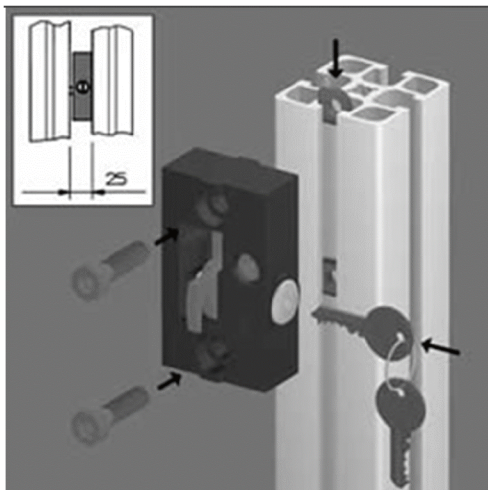
- 1 Steel cam lock, zinc plated

- 2 M8x30 socket head cap screw

- 2 M8 square nut

- Available in black, part # 21.1750

- Weight - kg



ASSEMBLY

- Install cam on left or right side of body

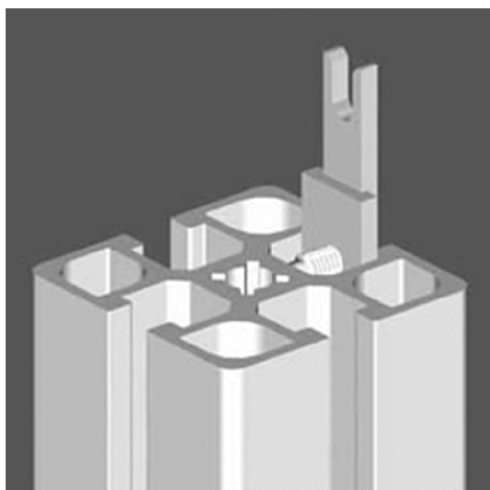
- Fasten to t-slot with supplied M8x30 screws & M8 nuts

- Use with Catch 8, Part # 21.1715



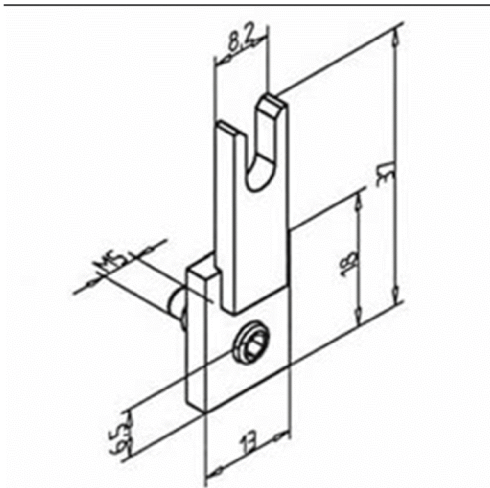
Catch 8

Part. N° 21.1715



APPLICATIONS

- Catch for door lock [part # 21.1750/5](#)
- Door lock can be used with swinging or sliding doors



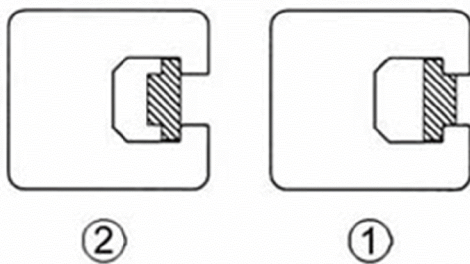
TECHN. DATA / ITEMS SUPPLIED



- Aluminum catch, anodized

- M5x12 set screw

- Weight - .015kg



ASSEMBLY

- Slide catch into profile groove

- Position 1: For swinging doors (as shown in above picture)

- Position 2: Sliding doors

- Fix in desired position with M5 set screw (included)



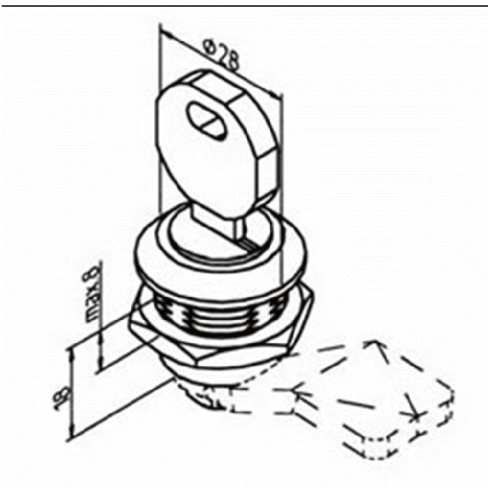
Cylinder Lock

Part. N° 21.1752



APPLICATIONS

- Light doors from panel elements up to 8mm thick



TECHN. DATA / ITEMS SUPPLIED

- Body steel, chrome plated



- 2 Keys

- Required cam sold separately

- Weight .100 kg



ASSEMBLY

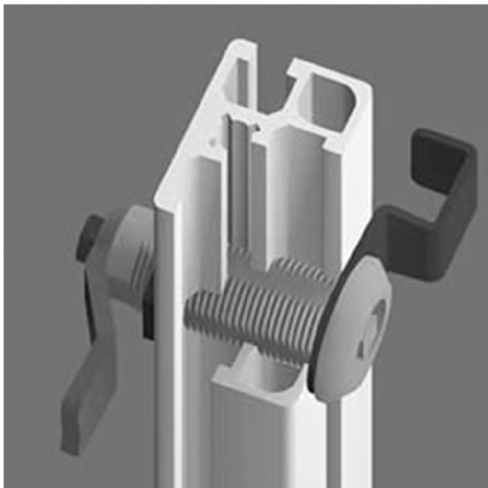
- Bore \varnothing 22mm hole in panel element

- Select cam element with proper offset & order separately



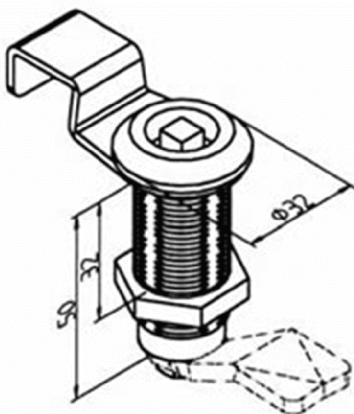
Bolt Lock 32 For Square Key

Part. N° 21.1087/6



APPLICATIONS

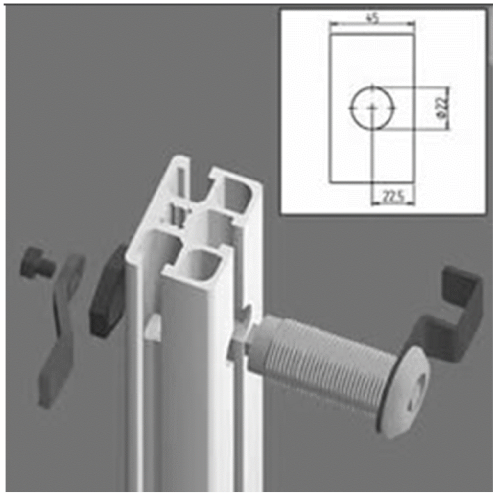
- For profiles 19 or 32mm thick
- Locking for doors & lids
- Tool removable access for machine guard doors





TECHN. DATA / ITEMS SUPPLIED

- Steel lock, powder coated black
- Square key
- Finger pull, steel, powder coated black
- Required cam sold separately
- Weight - .179 kg



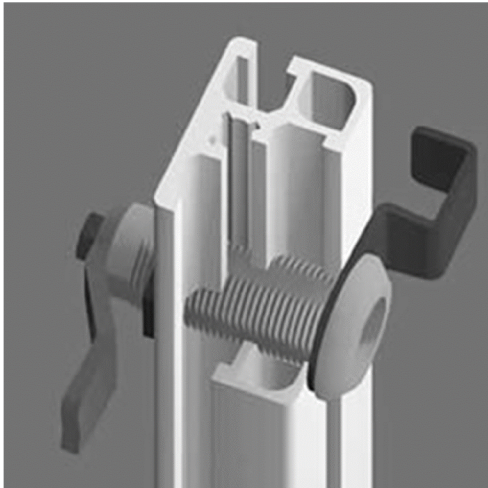
ASSEMBLY

- Bore Ø22mm hole in middle of profile
- Select cam with desired offset (Order Separately)
- Tighten hex nut from the back
- Use Twist Stop 21.1768 if lock rotation is a problem



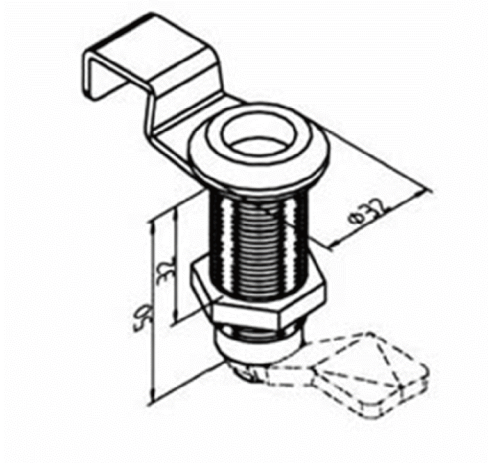
Bolt Lock 32 For 10mm Hex Key

Part. N° 21.1087/8



APPLICATIONS

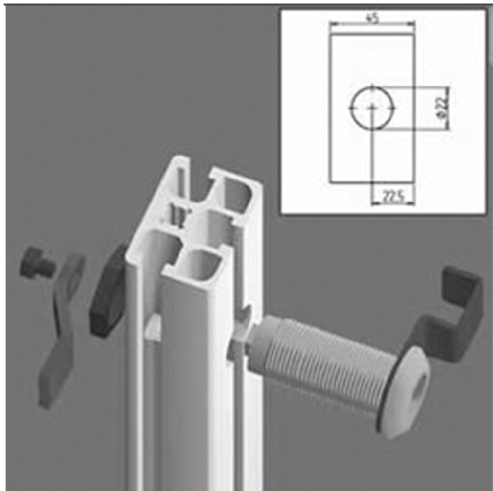
- For profiles 19 or 32mm thick
- Locking for doors & lids
- Tool removable access for machine guard doors





TECHN. DATA / ITEMS SUPPLIED

- Steel lock, powder coated black
- Hex Key Not Included
- Finger pull, steel, powder coated black
- Required cam not included
- Weight - .102 kg



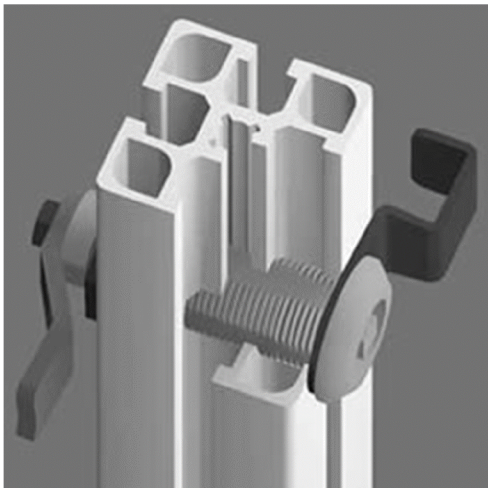
ASSEMBLY

- Bore Ø22mm hole in middle of profile
- Select cam with desired offset (Ordered seperately)
- Tighten hex nut from the back
- Use Twist Stop 21.1768 if lock rotation is a problem



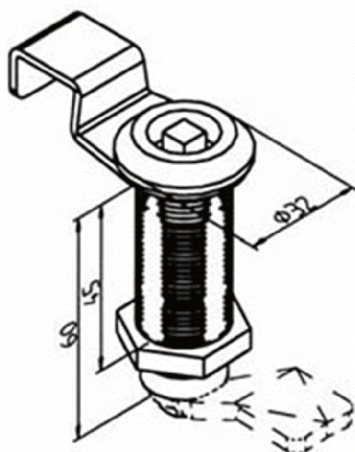
Bolt Lock 45 For Square Key

Part. N° 21.1087/7



APPLICATIONS

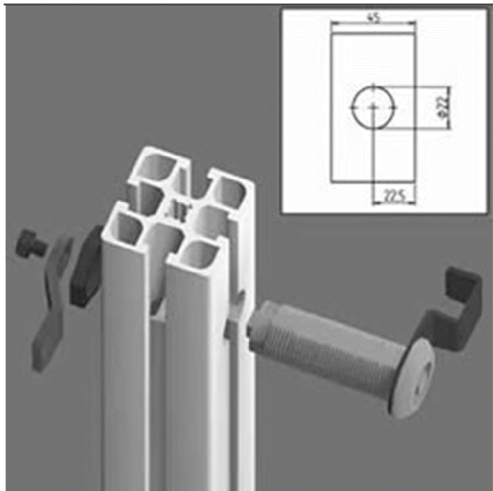
- For profiles 45mm thick
- Locking for doors & lids
- Tool removable access for machine guard doors





TECHN. DATA / ITEMS SUPPLIED

- Steel lock, powder coated black
- Square key
- Finger pull, steel, powder coated black
- Required cam sold separately
- Weight - .197 kg



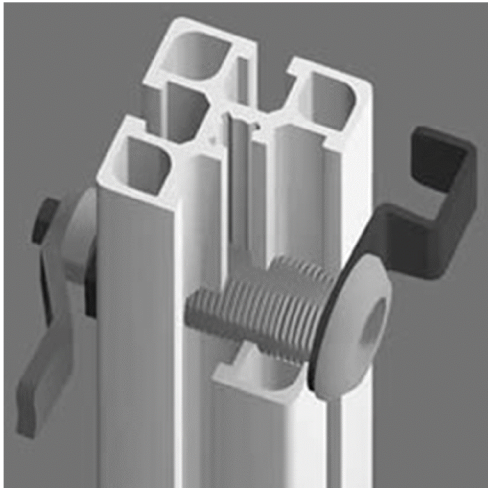
ASSEMBLY

- Bore Ø22mm hole in middle of profile
- Select cam with desired offset (Order Separately)
- Tighten hex nut from the back
- Use Twist Stop 21.1768 if lock rotation is a problem



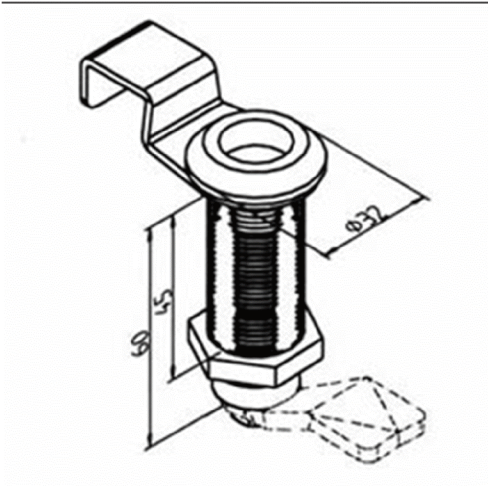
Bolt Lock 45 For 10mm Hex Key

Part. N° 21.1087/9



APPLICATIONS

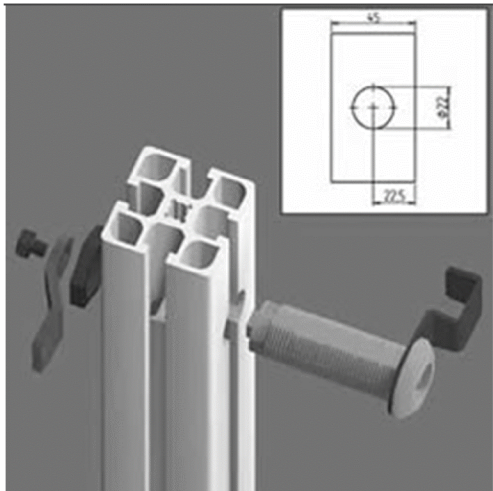
- For profiles 45mm thick
- Locking for doors & lids
- Tool removable access for machine guard doors





TECHN. DATA / ITEMS SUPPLIED

- Steel lock, powder coated black
- Steel finger pull, powder coated black
- Hex Key Not Included
- Required cam not included
- Weight - .111 kg



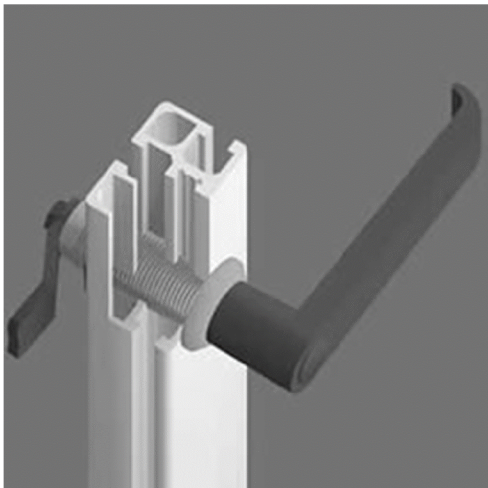
ASSEMBLY

- Bore Ø22mm hole in middle of profile
- Select cam with desired offset (Order Separately)
- Tighten hex nut from the back
- Use Twist Stop 21.1768 if lock rotation is a problem



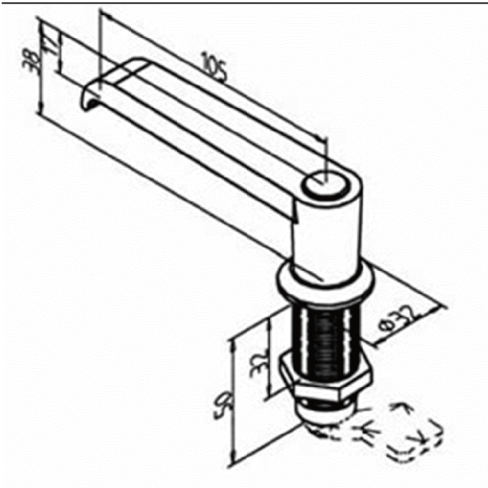
Handle 32 Gray Without Lock

Part. N° 21.1087/4



APPLICATIONS

- Quarter turn latch for profiles 19 & 32mm thick
- Machine guard doors where a keyed lock or tool are not required



TECHN. DATA / ITEMS SUPPLIED

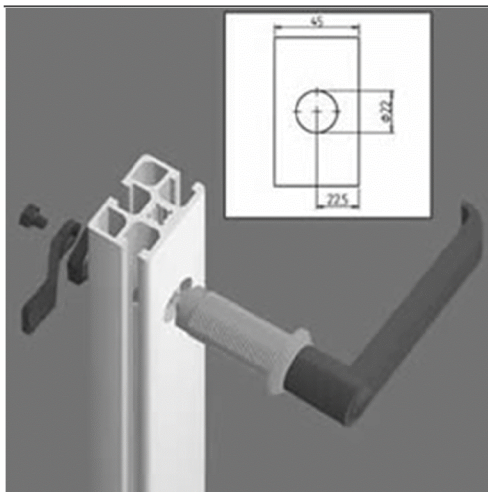


- Handle Gray Plastic, cylinder zinc plated steel

- cam sold separately

- Available in black 21.1087/2

- Weight - .172 kg



ASSEMBLY

- Bore Ø22mm Dia. thru middle of profile

- Select cam with desired offset (order separately)

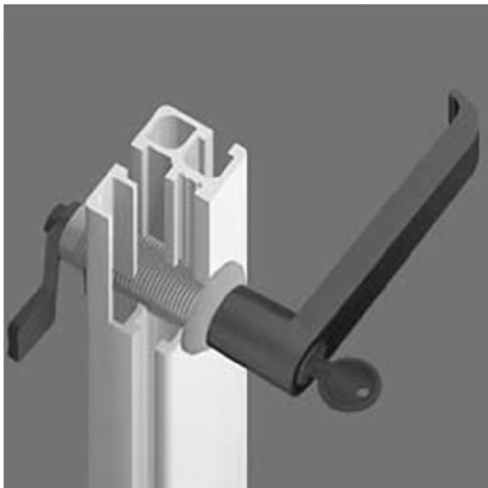
- Tighten hex nut from back side

- Use Twist Stop 21.1768 if lock rotation is a problem



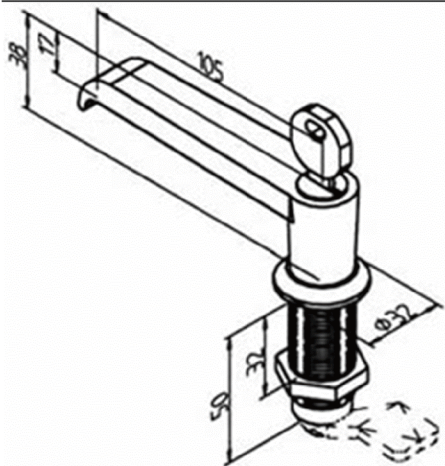
Handle 32 Gray With Lock

Part. N° 21.1091/4



APPLICATIONS

- Quarter turn latch for profiles 19 & 32mm thick
- Machine guard doors where a key is required



TECHN. DATA / ITEMS SUPPLIED



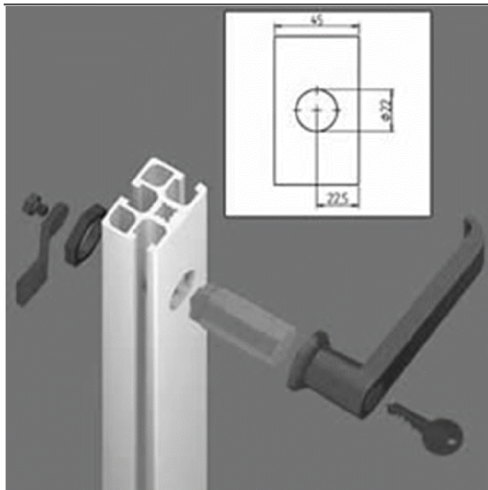
- Handle Gray Plastic, cylinder zinc plated steel

- 2 Keys

- cam sold separately

- Available in black 21.1091/2

- Weight - ..211 kg



ASSEMBLY

- Bore $\varnothing 22$ mm Dia. thru middle of profile

- Select cam with desired offset (order separately)

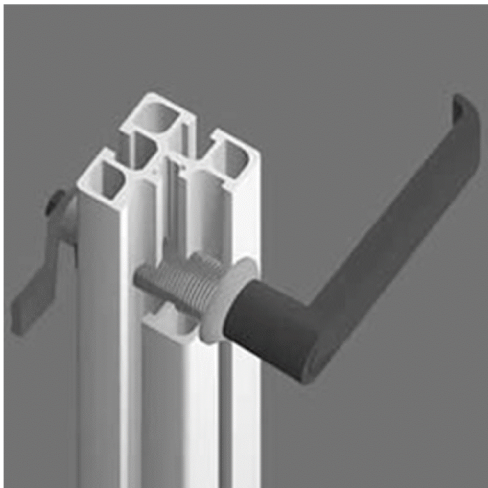
- Tighten hex nut from back side

- Use Twist Stop 21.1768 if lock rotation is a problem



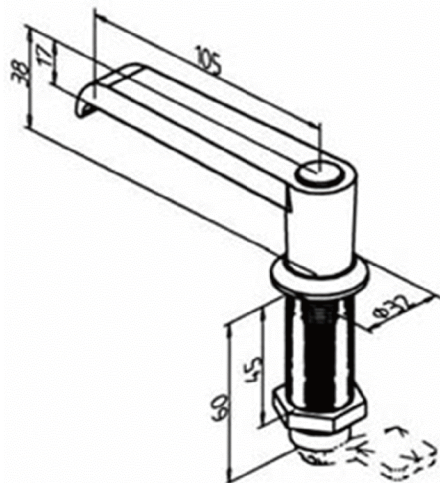
Handle 45 Gray Without Lock

Part. N° 21.1087/3



APPLICATIONS

- Quarter turn latch for profiles 45mm thick
- Machine guard doors where a keyed lock or tool are not required



TECHN. DATA / ITEMS SUPPLIED

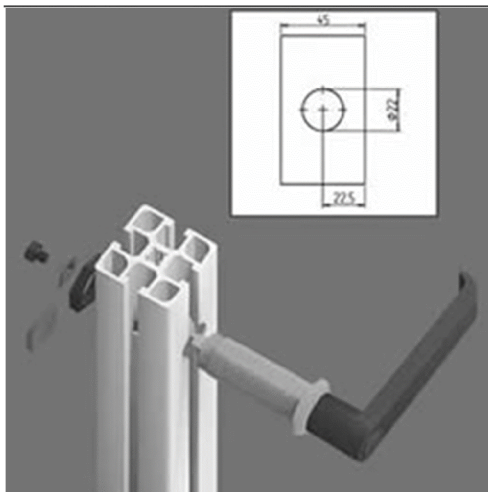


- Handle Gray Plastic, cylinder zinc plated steel

- cam sold separately

- Available in black 21.1087/1

- Weight .195 kg



ASSEMBLY

- Bore $\varnothing 22$ mm Dia. thru middle of profile

- Select cam with desired offset (order separately)

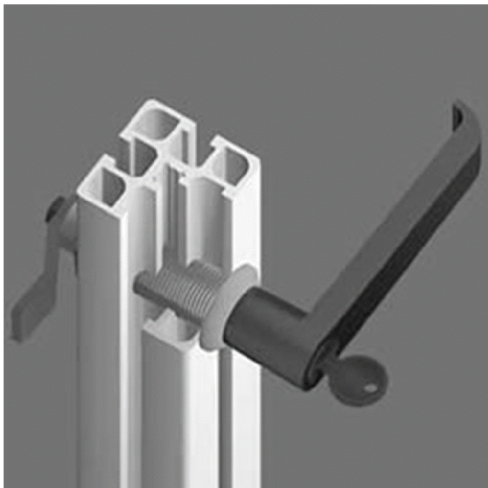
- Tighten hex nut from back side

- Use Twist Stop 21.1768 if lock rotation is a problem



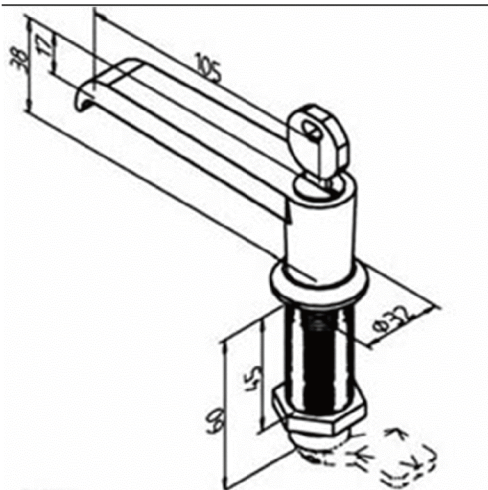
Handle 45 Gray With Lock

Part. N° 21.1091/3



APPLICATIONS

- Quarter turn latch for profiles 45mm thick
- Machine guard doors where a key is required



TECHN. DATA / ITEMS SUPPLIED



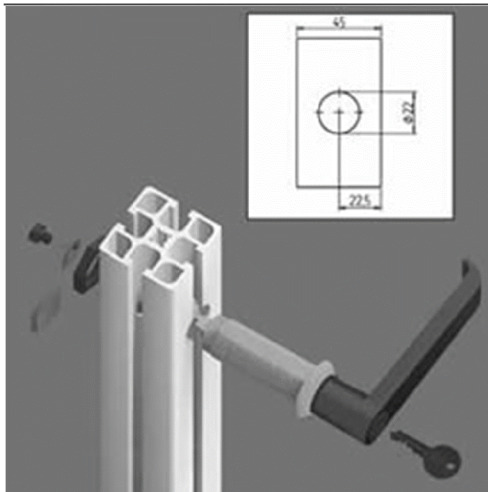
- Handle Gray Plastic, cylinder zinc plated steel

- 2 Keys

- cam sold separately

- Available in black 21.1091/1

- Weight - ..211 kg



ASSEMBLY

- Bore $\varnothing 22$ mm Dia. thru middle of profile

- Select cam with desired offset (order separately)

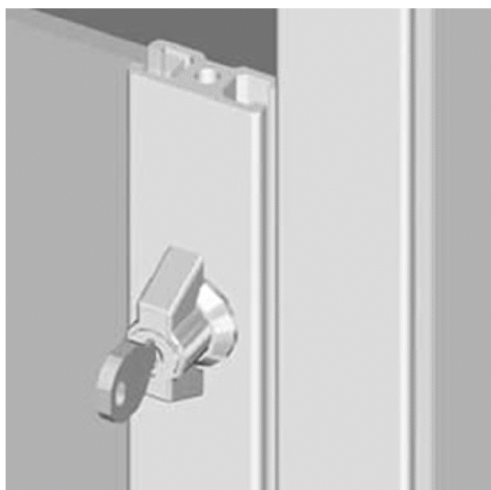
- Tighten hex nut from back side

- Use Twist Stop 21.1768 if lock rotation is a problem



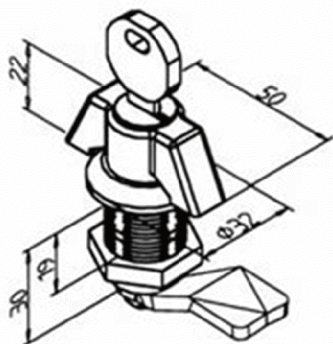
T-Handle 19

Part. N° 21.1015/2



APPLICATIONS

- For profiles 19mm thick
- Fasten directly to panels
- Keyed lock for swinging doors or removable panels





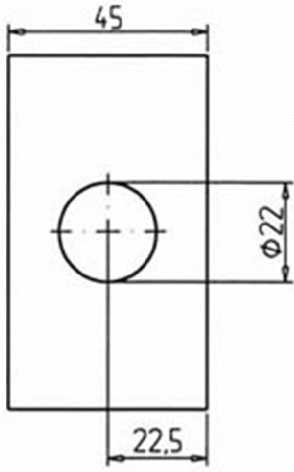
TECHN. DATA / ITEMS SUPPLIED

- Wing knob steel, chrome plated

- 2 Keys

- Cam sold separately

- Weight - .168kg



ASSEMBLY

- Bore Ø22mm Dia. in middle of profile

- Select cam with desired offset (Order Separately)

- Tighten hex nut from the back

- Use Twist Stop 21.1768 if lock rotation is a problem



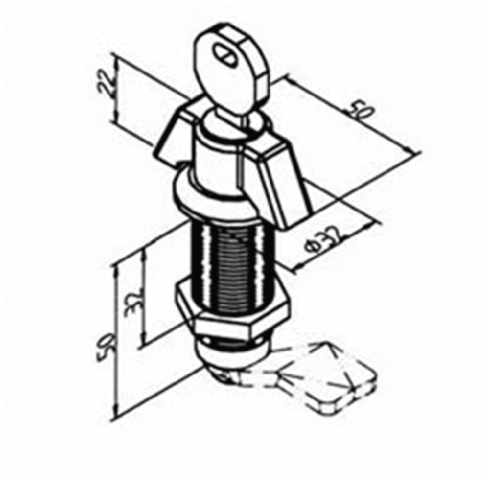
T-Handle 32

Part. N° 21.1015



APPLICATIONS

- For profiles 32mm thick
- Keyed lock for swinging doors or removable panels



TECHN. DATA / ITEMS SUPPLIED

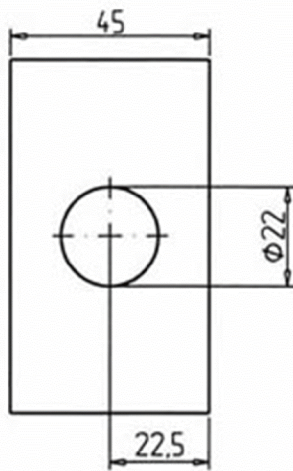


- Wing knob steel, chrome plated

- 2 Keys

- Cam sold separately

- Weight - .188kg



ASSEMBLY

- Bore $\phi 22$ mm Dia. in middle of profile

- Select cam with desired offset (Order Separately)

- Tighten hex nut from the back

- Use Twist Stop 21.1768 if lock rotation is a problem

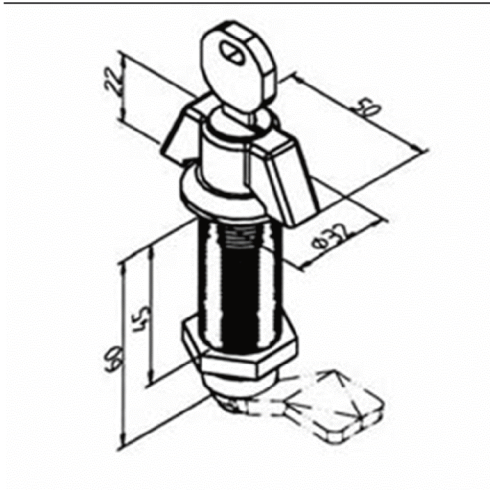
T-Handle 45

Part. N° 21.1015/1



APPLICATIONS

- For profiles 45mm thick
- Keyed lock for swinging doors or removable panels



TECHN. DATA / ITEMS SUPPLIED

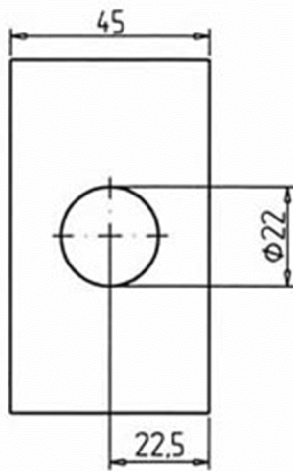


- Wing knob steel, chrome plated

- 2 Keys

- Cam sold separately

- Weight - .198kg



ASSEMBLY

- Bore $\phi 22$ mm Dia. in middle of profile

- Select cam with desired offset (Order Separately)

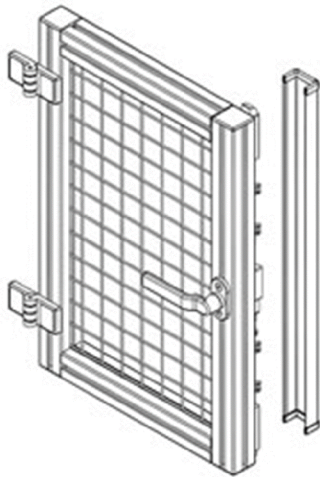
- Tighten hex nut from the back

- Use Twist Stop 21.1768 if lock rotation is a problem



Rod Lock With Spring Retention

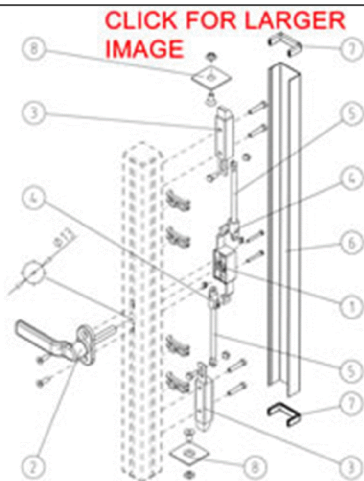
Part. N° 21.1490



APPLICATIONS

- Locking swinging doors to upper & lower door frame beams

- Max. door height 2760mm



TECHN. DATA / ITEMS SUPPLIED



- Item 1: Qty 1, Lock

- Item 2: Qty 1, Handle

- Item 3: Qty 2, Spring retentions

- Item 4: Qty 2, Adaptors for rods

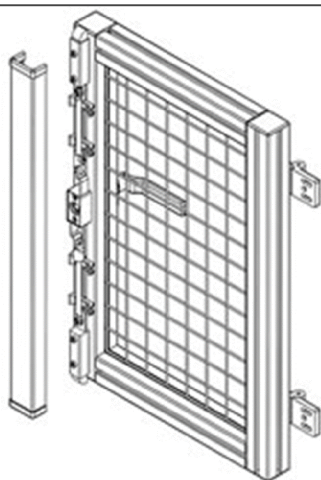
- Item 5: Qty 2, Rods

Items below optional. Order separately

- Item 6: Qty 1, Cable channel 45 AL

- Item 7: Qty 2, Protective cap for cable channel

- Item 8: Qty 4, cable clips 45



ASSEMBLY

- Bore \varnothing 13mm hole in vertical door profile

- Screw lock and spring retentions at door profile, clip cable clips for conduit 45 at appropriate positions

- Cut rods according to your door size. Mount adaptors at rod



ends. Link rods with lock and spring retentions

- Insert handle and fix

- Adjust slam locks

- Snap on optional cable channel cover



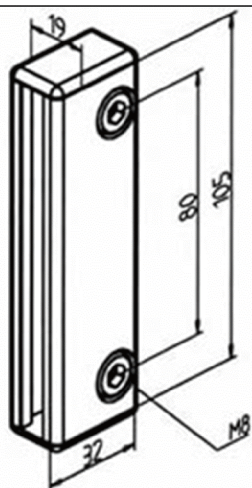
Catch 19

Part. N° 21.1755



APPLICATIONS

- Catch for quarter turn handles



TECHN. DATA / ITEMS SUPPLIED

- Profile 19x32

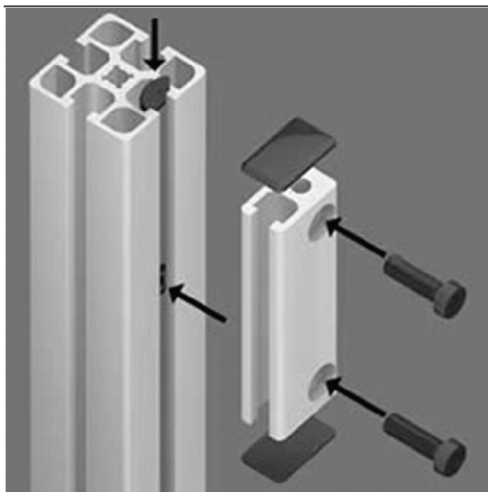


- 2 Gray end caps

- 2 M8x25 socket head cap screws

- 2 M8 square nuts with position fixing

- Weight - .04kg



ASSEMBLY

- Fasten to frame on back side of door using supplied hardware



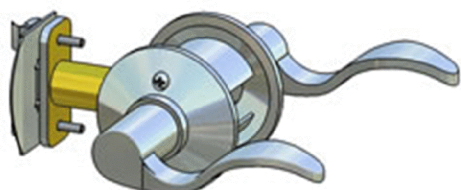
Lever Handle With Slam Latch (non-locking)

Part. N° 21.9302



APPLICATIONS

- Left & right handed doors 45mm thick
- Doors that need to be opened from inside & outside
- Full size man doors for large machine enclosures, in plant offices & hardwall clean rooms
- Large machine guards and barrier guards



TECHN. DATA / ITEMS SUPPLIED

- Steel Lever Handle With Satin Nickel Finish, Latch Assy. & Hardware To Fasten Handle Together

- For doors 45mm thick

- Steel Strike Plate

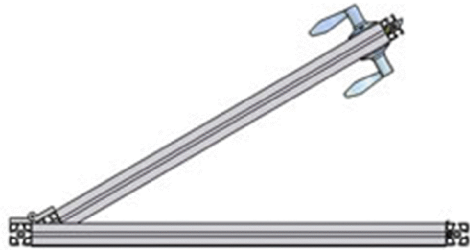
- Qty 2 M4x12 C'sunk Screws

- Qty 2 M4x16 C'sunks Screws

- Qty 2 M4 Square Nuts With Position Fixing

-Also available with key lock or finger lock

- Weight - kg



ASSEMBLY

- Machining of door & frame required
- Leave 1/8" gap between door & frame on handle side
- Additional door jamb required



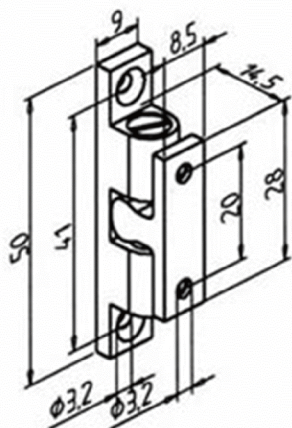
Ball Latch 50

Part. N° 21.1763



APPLICATIONS

- Stop & catch for smaller doors & lids
- Latch housing can be mounted inside t-slot



TECHN. DATA / ITEMS SUPPLIED



- Brass body & key

- 4 self tapping screws

- Holding force adjustable between 10 - 50 N

- Weight - .030 kg



ASSEMBLY

- Use self tapping screws to mount both body & key profiles or panels

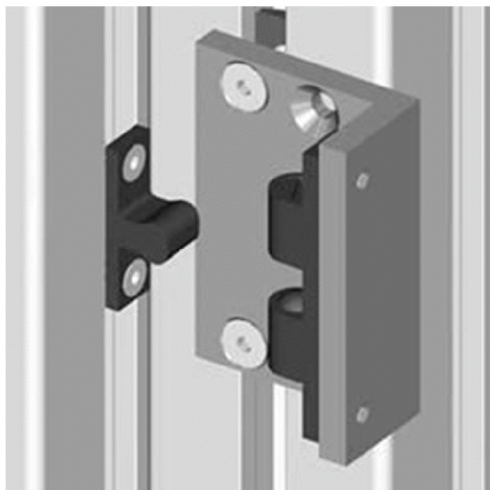
- Alternatively for body attach with [ball latch support 50 21.1139](#)

- Alternatively for key, drill & tap door profile M3x.5 & attach key with Qty 2, M3x8 countersunk screws 21.1499 (sold separately)



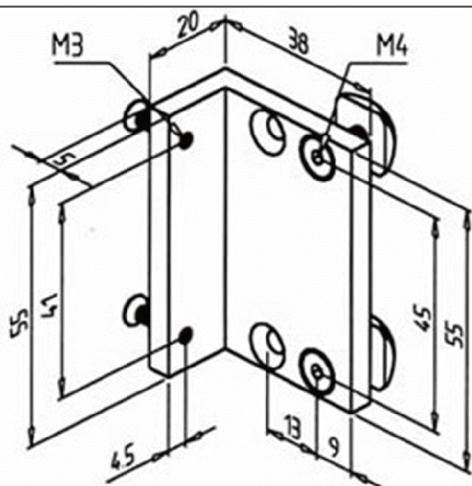
Ball Latch 50 Support

Part. N° 21.1139



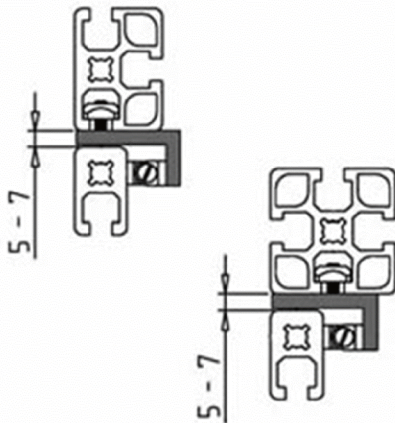
APPLICATIONS

- Attachment of ball latch 50 body
- Removable panel elements
- Door jamb



TECHN. DATA / ITEMS SUPPLIED

- Aluminum angle, anodized
- 2 M4x16 countersunk screws
- 2 M4 square nuts
- 2 M3x8 countersunk screws
- Weight - .050kg



ASSEMBLY

- Attach angle to frame using supplied M4 hardware
- Attach ball latch 50 body to angle using supplied M3 hardware
- Attach ball latch 50 key to door with supplied self tapping screws
- Alternatively, drill & tap door profile M3x.5 & attach key with Qty 2, M3x8 countersunk screws 21.1499 (sold separately)



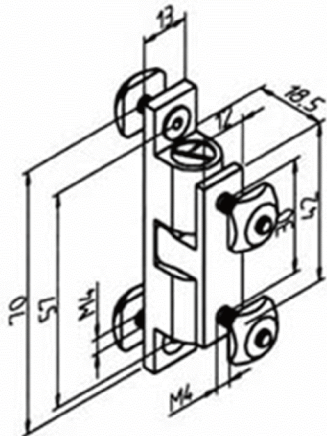
Ball Latch 70

Part. N° 21.1757



APPLICATIONS

- Stop & catch for swinging & sliding doors



TECHN. DATA / ITEMS SUPPLIED

- Brass Body & Key



- 4 M4x16 countersunk screws

- 4 M4 square nuts

- Holding force adjustable between 50 - 150N

-

-

- Weight

- kg



ASSEMBLY

- Fasten to t-slots with supplied hardware

- Mounting bracket sold separately Part # 21.1137



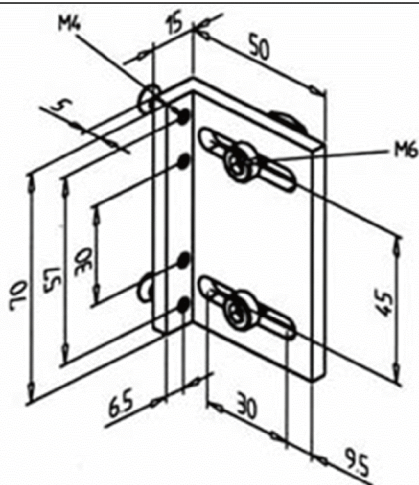
Ball Latch 70 Support

Part. N° 21.1137



APPLICATIONS

- Attachment of Ball Latch 70, Part # 21.1757



TECHN. DATA / ITEMS SUPPLIED

- Aluminum Angle, anodized



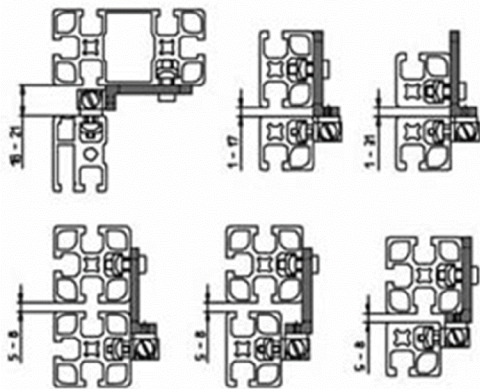
- 2 M6x20 socket head cap screws

- 2 M6 square nuts

- 2 M6 round washers

- 2 M4x8 countersunk screws

- Weight - .050 kg



ASSEMBLY

- Mount using any of the configurations shown above

- Two sets of of M4 tapped holes for mounting either body or key



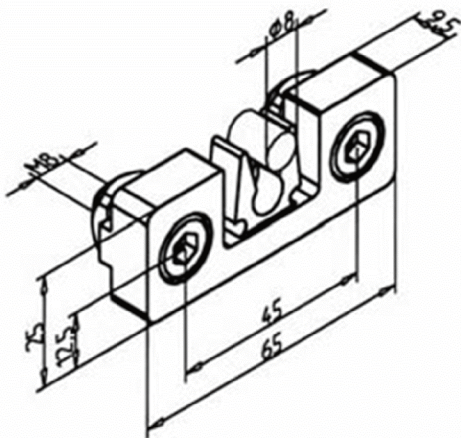
Door Catch Gray

Part. N° 21.1756/1



APPLICATIONS

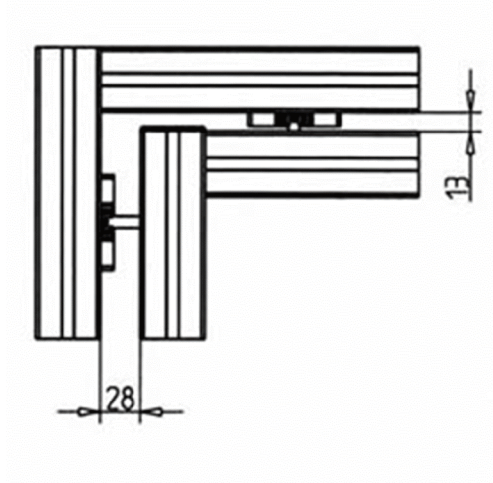
- Catch for doors & lids
- Removable panels
- Attachment of items that need to be easily removable without a tool
- Attachment of conveyor rollers





TECHN. DATA / ITEMS SUPPLIED

- PA 6 plastic catch body, gray
- 2 M8x16 socket head cap screws
- 2 M8 square nuts
- Required snap bolt 25 or snap bolt 40 sold seperately
- Holding force 50 - 70 N
- Available in black Part # 21.1756
- Weight - .041 kg



ASSEMBLY

- No processing required
- Fasten snap bolt 25 or snap bolt 40 to door(Order seperately). See required door gaps above.
- Fasten door catch plastic body to door frame using supplied M8 hardware



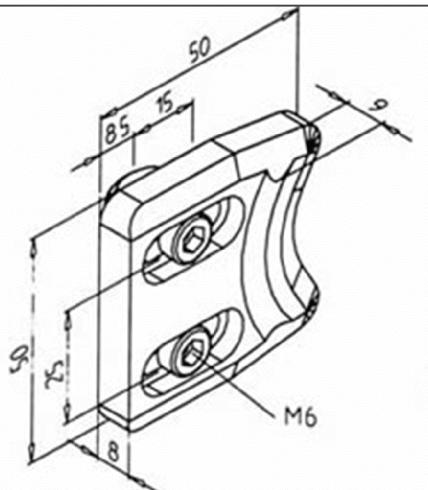
Door Stop S

Part. N° 21.1767



APPLICATIONS

- Stop for swinging doors
- Especially suitable for use with MiniTec quarter turn latches & cams



TECHN. DATA / ITEMS SUPPLIED

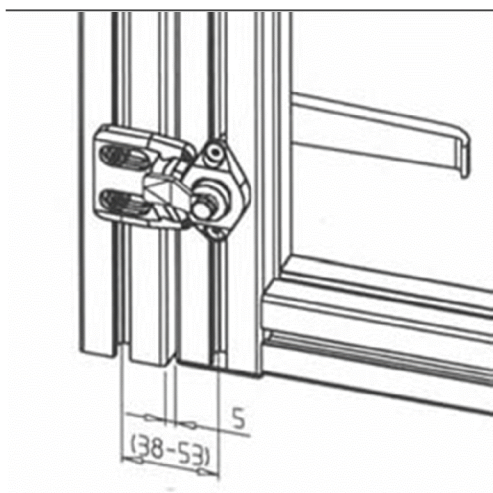


- Steel, powder coated black

- 2 M6x16 socket head cap screws

- 2 M6 square nuts with position fixing

- Weight - .077 kg



ASSEMBLY

- No processing required

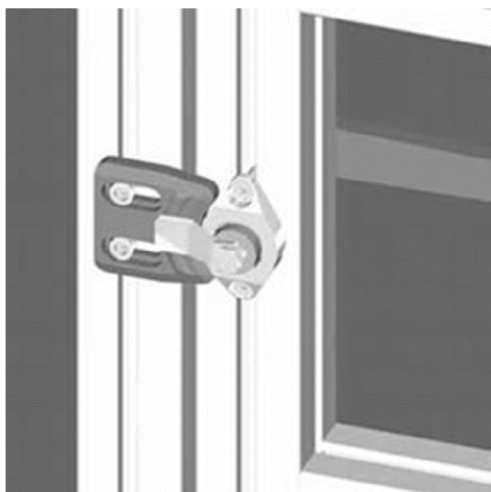
- Attach to frame with supplied M6 hardware

- Slots allow adjustment for varying door gaps



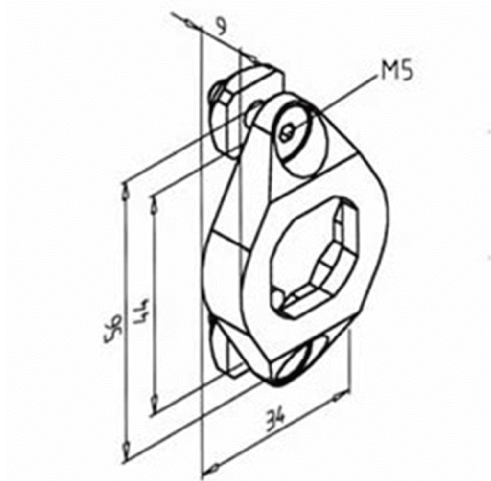
Twist Stop

Part. N° 21.1768



APPLICATIONS

- Prevent rotation of MiniTec quarter turn latches
- Designed for use with Door Stop S 21.1767



TECHN. DATA / ITEMS SUPPLIED



- Steel, Chrome Plated

- 2 M5x16 countersunk screws

- 2 M5 square nuts with position fixing

- Weight - .04 kg



ASSEMBLY

- Slide over quarter turn latch before attaching cam

- Attach to t-slot with supplied M5 hardware



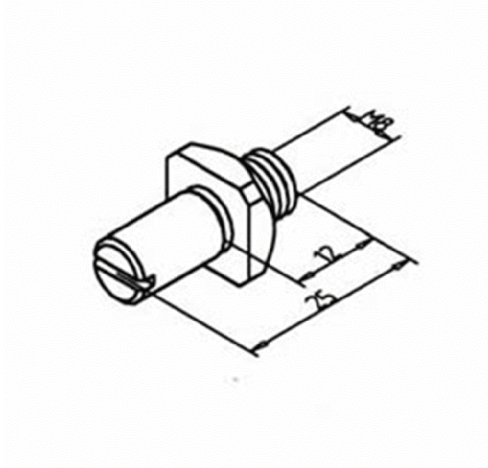
Snap Bolt 25

Part. N° 21.1758



APPLICATIONS

- Use with [Door Catch 21.1756/1](#)
- Use to support work station bins



TECHN. DATA / ITEMS SUPPLIED



- Steel set screw M8, zinc plated

- M8 square nut

-

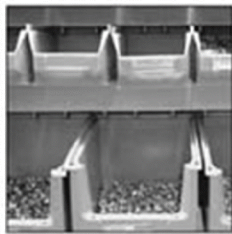
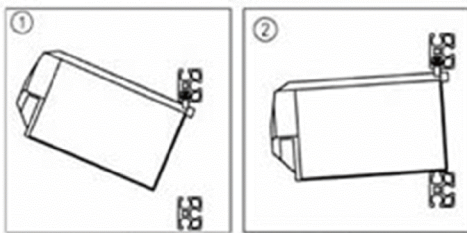
-

-

-

- Weight

- .010 kg



ASSEMBLY

- Insert square nut into slot & tighten set screw until it bottoms out



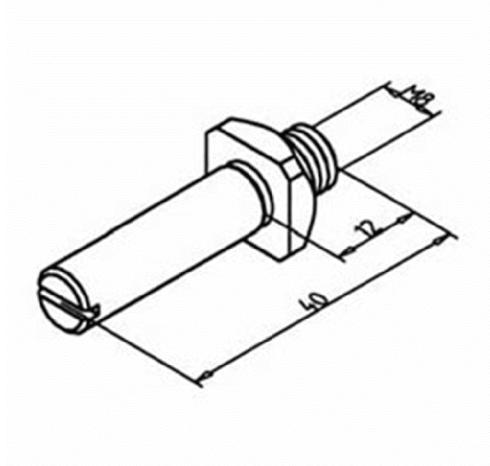
Snap Bolt 40

Part. N° 21.1760



APPLICATIONS

- Use with [Door Catch 21.1756/1](#)
- Use to support work station bins



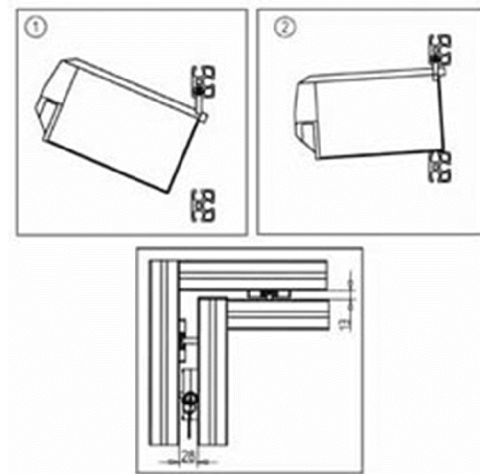
TECHN. DATA / ITEMS SUPPLIED



- Steel set screw M8, zinc plated

- M8 square nut

- Weight - .020 kg



ASSEMBLY

- Insert square nut into slot & tighten set screw until it bottoms out

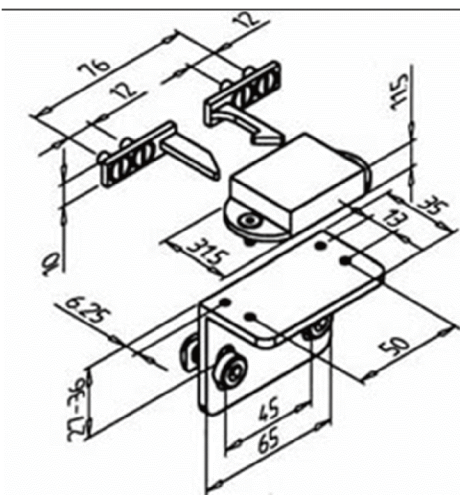
Lock For Double Door

Part. N° 21.0990



APPLICATIONS

- When both doors are closed only door with smooth key can open
- Lock door with smooth key to second door or to frame with a quarter turn latch



TECHN. DATA / ITEMS SUPPLIED

- Catch with 2 keys, steel zinc plated



- Catch mounting angle, aluminum anodized

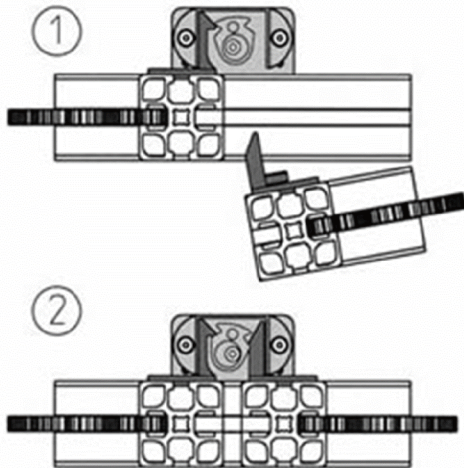
- 2 M8x16 socket head cap screws

- 2 M8 square nuts

- 2 M4x10 countersunk screws

- 4 self tapping screws

- Weight -.145 kg



ASSEMBLY

- Attach aluminum angle to frame with supplied M8 hardware

- Fix steel catch to angle with supplied M4 screws

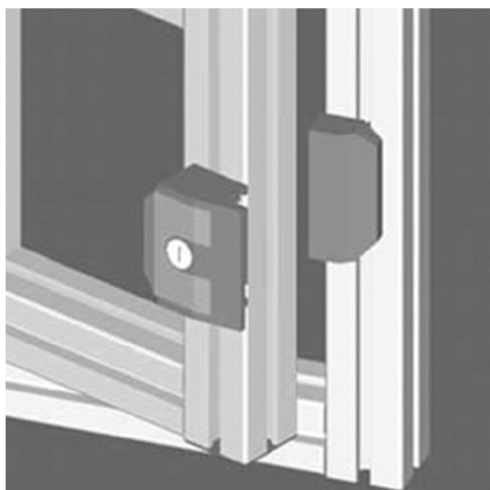
- Attach keys to doors with supplied self tapping screws

- Alternatively, drill & tap M3x.5 and attach keys to doors with qty 4, M3x8 countersunk screws 21.1499 (Sold separately)



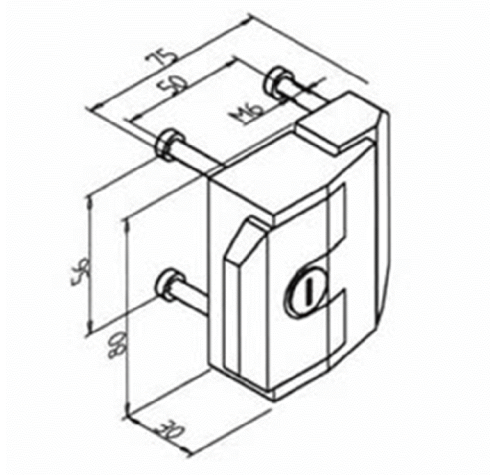
Trunk Lock

Part. N° 21.1764



APPLICATIONS

- Sturdy latch, jamb & handle for swinging doors
- Machine guard doors
- Medium to large enclosure doors





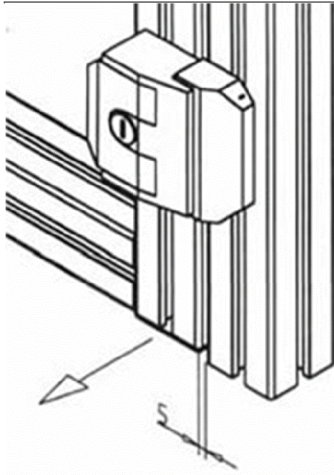
TECHN. DATA / ITEMS SUPPLIED

- Steel lock, powder coated black

- 2 keys

- 4 M6 x 35 socket head cap screws

- Weight - .55 kg



ASSEMBLY

- Process door & frame to accept M6 screws from back side

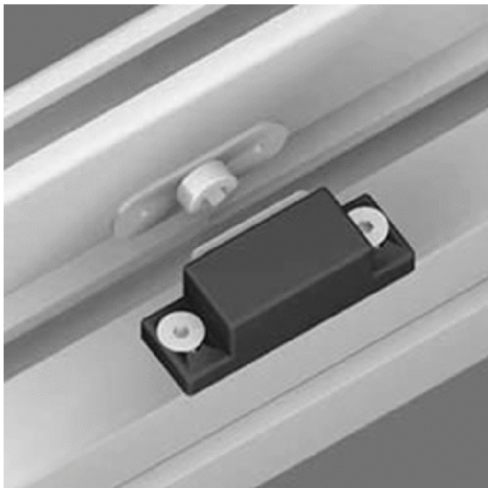
- leave 3-4mm gap between door & frame

- Tighten M6 screws from backside



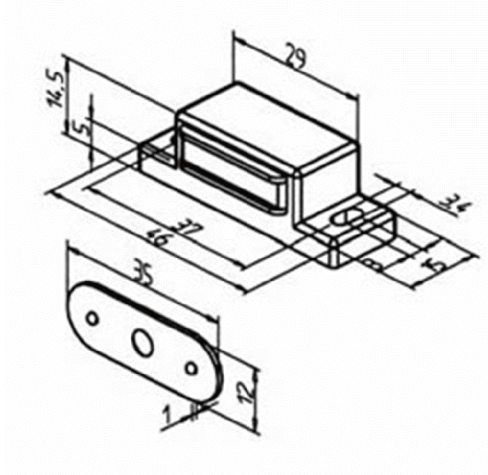
Magnetic Catch

Part. N° 21.1753



APPLICATIONS

- Catch for light swinging doors
- catch for unframed doors



TECHN. DATA / ITEMS SUPPLIED

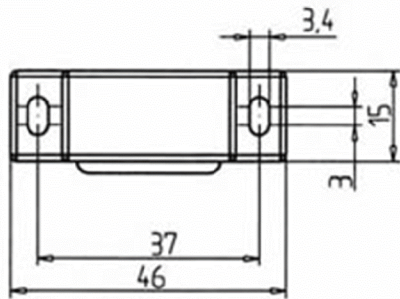


- Housing Plastic PA 6, with integrated magnet

- Steel holding plate, zinc plated

- 3 self tapping screws

- Weight - .021 kg



ASSEMBLY

- Attach to door & frame with supplied self tapping screws



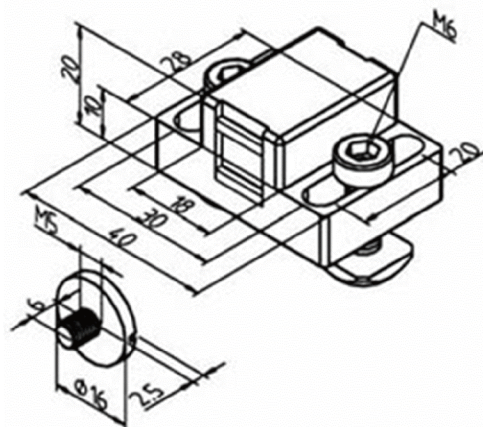
Magnetic Catch N

Part. N° 21.1741



APPLICATIONS

- Stop and catch for light to medium sized swinging doors
- Doors without frames



TECHN. DATA / ITEMS SUPPLIED



- Plastic housing PA 6, gray, with integrated magnet

- Steel, pan head holding plate, M5 screw

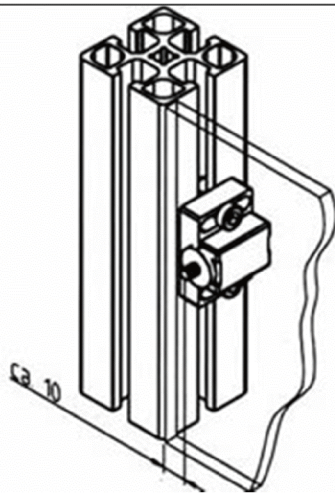
- 2 M6x22 socket head cap screws

- 2 M6 square nuts

- Holding force 50 - 75 N

-

- Weight - .080kg



ASSEMBLY

- Fasten catch body to profile with supplied M6 hardware

- Drill & tap door profile or panel M5x.8 for holding plate pan head screw



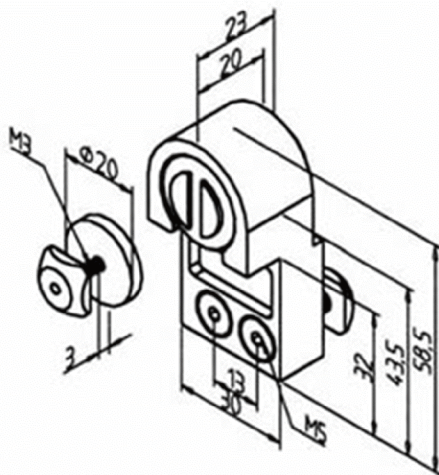
Magnetic Catch S

Part. N° 21.1740



APPLICATIONS

- Stop & catch for swinging doors



TECHN. DATA / ITEMS SUPPLIED

- Housing plastic PA 6 with integrated magnet



- Steel striker plate

- 2 M5x25 countersunk screws

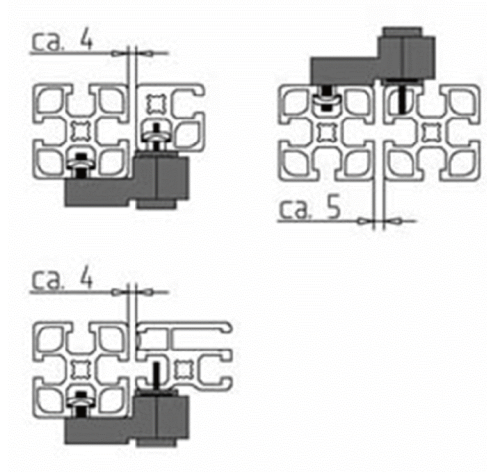
- 2 M5 square nuts

- 1 M3x16 countersunk screw

- 1 M3 square nut

- Holding force between 50-75N

- Weight - .080kg



ASSEMBLY

- No processing required

- Mount plastic body to frame with supplied M5 hardware

- Mount striker plate to T-slot with supplied M3 hardware

- Alternatively drill & tap M3x.5 for striker plate



Double Ball Catch

Part. N° 21.9300



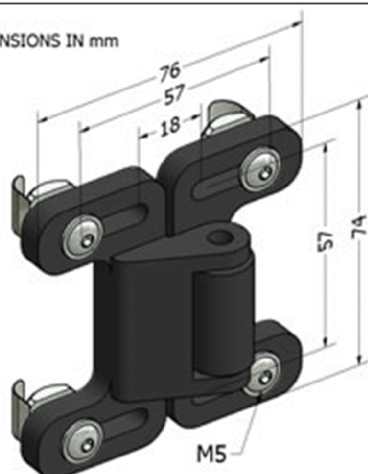
[Click For Larger Image](#)

APPLICATIONS

- Quick locking device that can be mounted on the front or back side of door

- Particularly use full when back side of door has obstructions preventing the use of other latches

DIMENSIONS IN mm





TECHN. DATA / ITEMS SUPPLIED

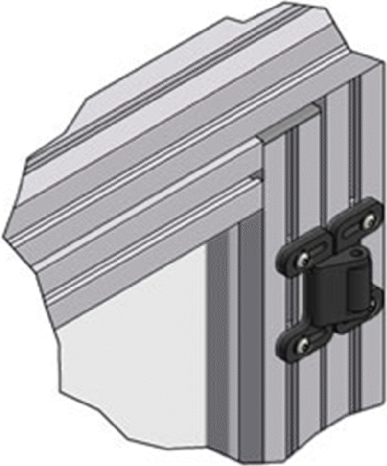
- Black PA6 plastic 30% glass filled body. Balls are stainless steel. Bushings are zinc plated steel

- Locking force 25N (5.6 lbs)

- 4 M5x20 button head flange screws

- 4 M5 square nuts with position fixing

- Weight - .07kg



ASSEMBLY

- No processing to door or frame required

- Press supplied M5 square nuts into door & frame & then bolt on latch halves with supplied M5x16 screws with a 3mm hex key