

# UAGP600

UNIVERSAL Power pivot

U	A	G	P	6	0	0	V	U	D	B
1		2	3			4	5	6	7	

<b>1 Series</b>	<b>2 Version</b>	<b>3 Size</b>
-----------------	------------------	---------------

**UAG** = UNIVERSAL power pivot  
with adjustable pivot rotation  
in 15° intervals.  
Possible opening angles:  
30° - 45° - 60° - 75° - 90° -  
105° - 120° (standard)

**P** = Pneumatic

**600**

<b>4 Table position</b>	<b>5 Sensing style</b>	<b>6 Shock absorbers mount position</b>
-------------------------	------------------------	---

**V** = Vertical 180°  
**O** = Horizontal 90°

**U** = Electronic sensor with M12 swivel  
connector, 24Vcc.

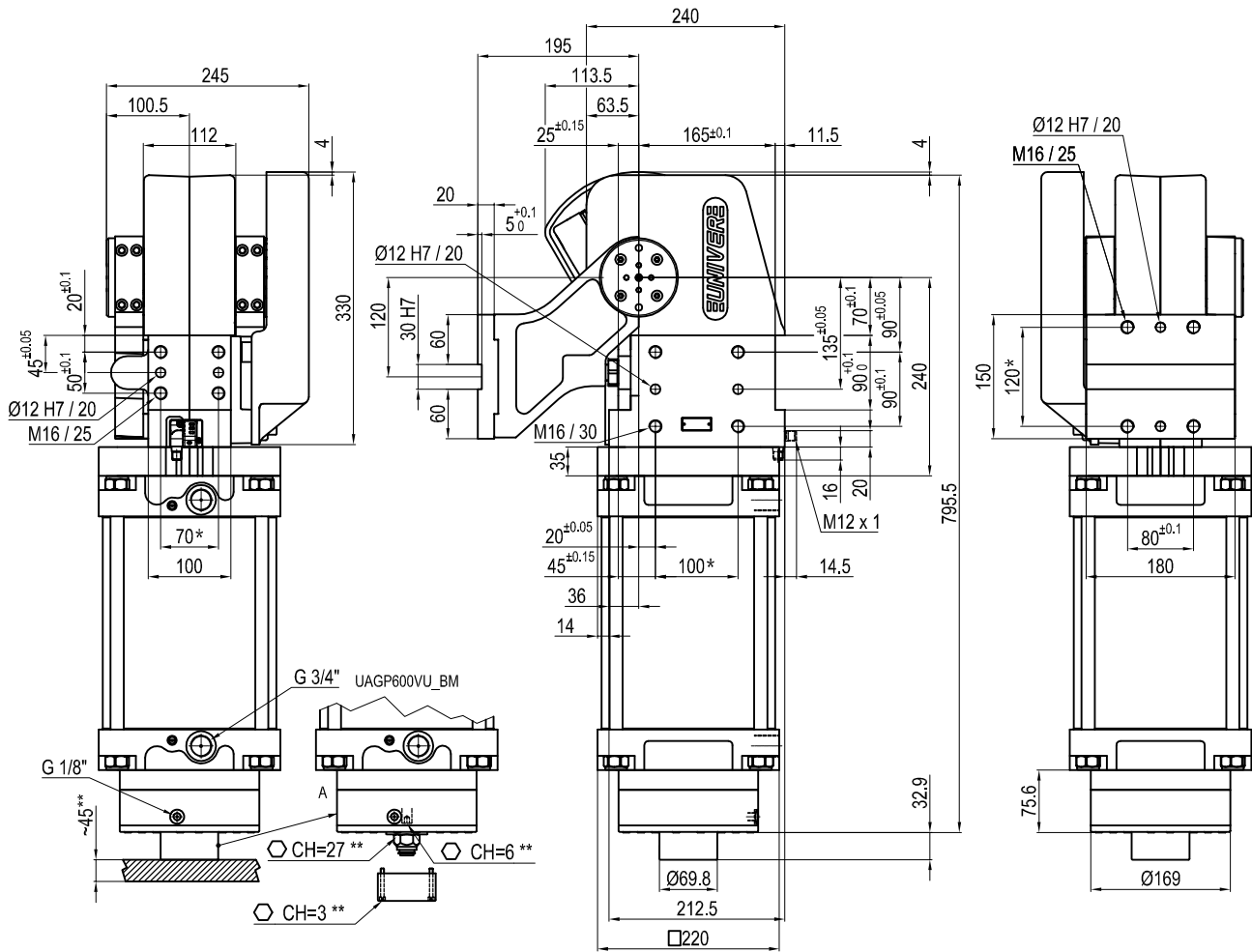
**D** = Right  
**S** = Left

<b>7 Brake system</b>
-----------------------

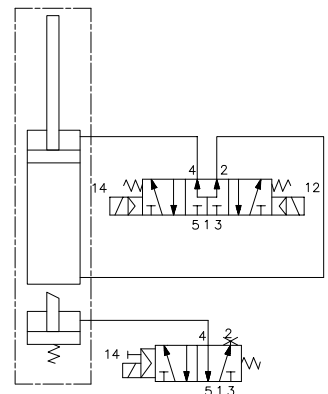
**B** = With safety brake







Passive Safety brake:  
it stops in absence of signal  
conforming to 89/392/CEE  
Directive



Size	Holding moment	Max. torque at the rotary table 0,55 MPa	Weight
600	8000 Nm	600 Nm	63.8 Kg

\* : TOLERANCE BETWEEN DOWEL HOLES ± 0.02, TO SCREW HOLES ± 0.1  
\*\* : AREA TO ACCESS THE MANUAL UNBLOCKING OF THE SAFETY BRAKE,  
PRODUCT CODE: UAGP600VU\_BM

Date	Change
24.06.08	Protection covers update

Subject to technical modifications without notice.

Min./Max. operating pressure: **0,4 / 0,8 MPa**  
Operating temperature: **5° ÷ 45° C**

Pivot rotation in degrees: **30° - 45° - 60° - 75° - 90° - 105° - 120°**  
adjustable opening angles in 15° increments

Vertical arm mount position

Electronic 24 Vdc sensor with M12 swivel connector  
that can be orientated at 0° or 90°

Protection class: **IP 65**

