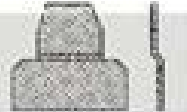

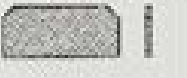


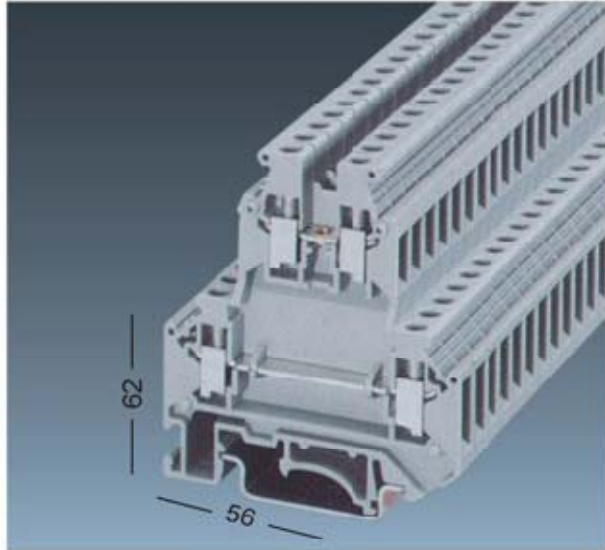


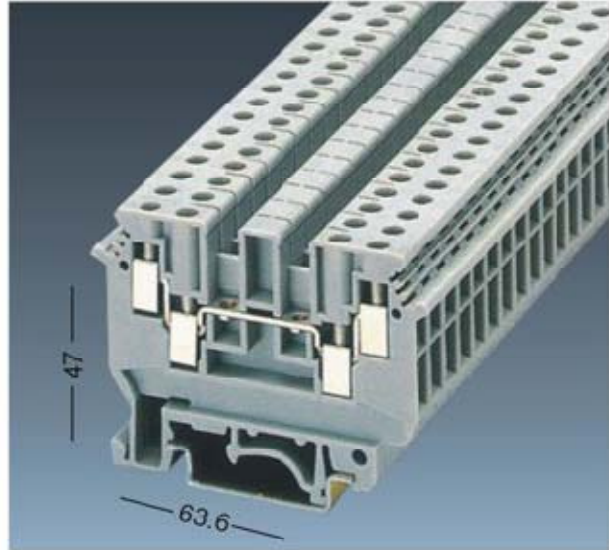
Double-layer Terminal

Illustration	Color	
(1)End board	Grey	
(2)Space compensation board,when laid with normal end,it could offset the dislocation between layers.thickness of 2.5mm	Grey	
(3)Space compensation board when laid with normal terminal,it could offset the dislocation between layers.thickness in 2.5mm		
(3)Side-plug short connecting fittings: entire insulation, entire insulation Separable; back insulation		
	2 pieces 3 pieces 10 pieces	
(5)Jumper bar with insulation mat 10 potential; separable with 10 screws;inserted when forming connection of skipping to terminal some.		
(6) insulaton mat IS-K 10:the spacer block between jumper bar and terminal.		



Type	The upper layer can be short connected.		Thickness of terminal 6.2
JUKK 5	Core lead	Multi-strand lead	
	[mm ²]	[mm ²]	
IEC 947-7-1	0.2-4	0.2-4	With label strip (ZB6)
CE CQC Certificate	Current 32A	Voltage 500V	In 3, 5 type

D-JUKK 3/5	
DG-JUKK 3/5	
DP-JUKK 3/5	
FBI 10-6	
ISSBI 10-6	
IS-K4	



Type	Thickness of terminal 6.2	
JUDK 4	Core lead	Multi-strand lead
	[mm ²]	[mm ²]
IEC 947-7-1	0.2-4	0.2-2.5
CE CQC Certificate	Current 32A	Voltage 690V
		In 3, 5 type

D-JUDK 4	
FBI 10-6	
E/JUK	