

G 1/2 - G 3/4 - G 1 check valves

Check valves are devices that let compressed air flow in just one direction.

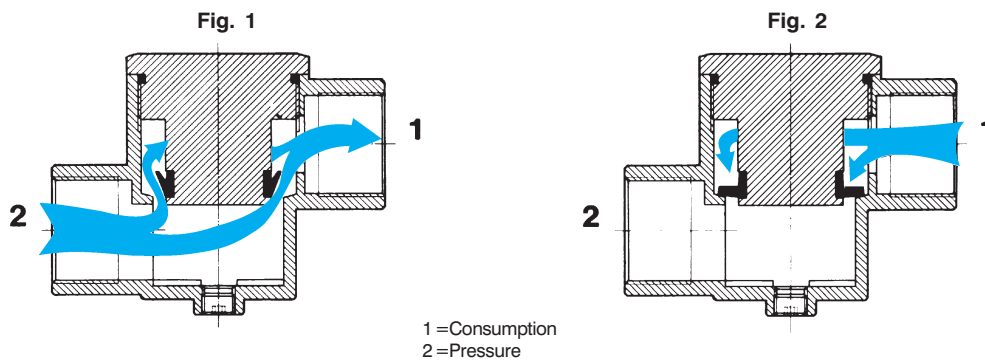
TECHNICAL CHARACTERISTICS

Max. working pressure: 10 bar
 Ambient and fluid temperature: -20 ÷ 80°C
 Max. fluid temperature: 50°C

Body: die-cast zamak
 Oil-proof seals
 Fluid: filtered air

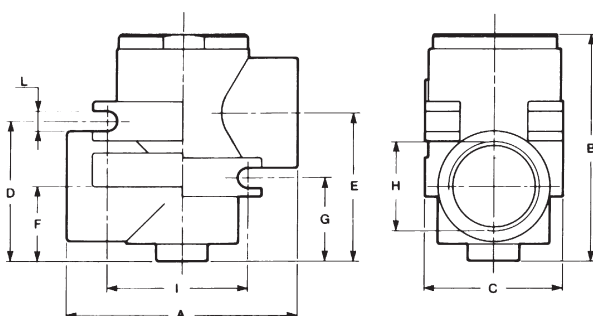
Type	Symbol	Ports	Ø mm	Capacity NI/mm	Pressure bar	Mass kg	Part number
		G 1/2	15	4500	0 ÷ 10	0,354	AM-5400
		G 3/4	15	4500	0 ÷ 10	0,312	AM-5401
		G 1	24	7500	0 ÷ 10	0,740	AM-5402

OPERATING PRINCIPLE



Compressed air flows freely from 2 to 1 (fig.1), while it is stopped when it flows from 1 to 2 (fig.2)

Overall dimensions



A	B	C	D	E	F	G	H	I	L
67	67	40	46	48	27	28,5	G 1/2 G 3/4	42	6,25
101	80	56,5	54	57,5	30	33,5	G 1	59,5	8,25