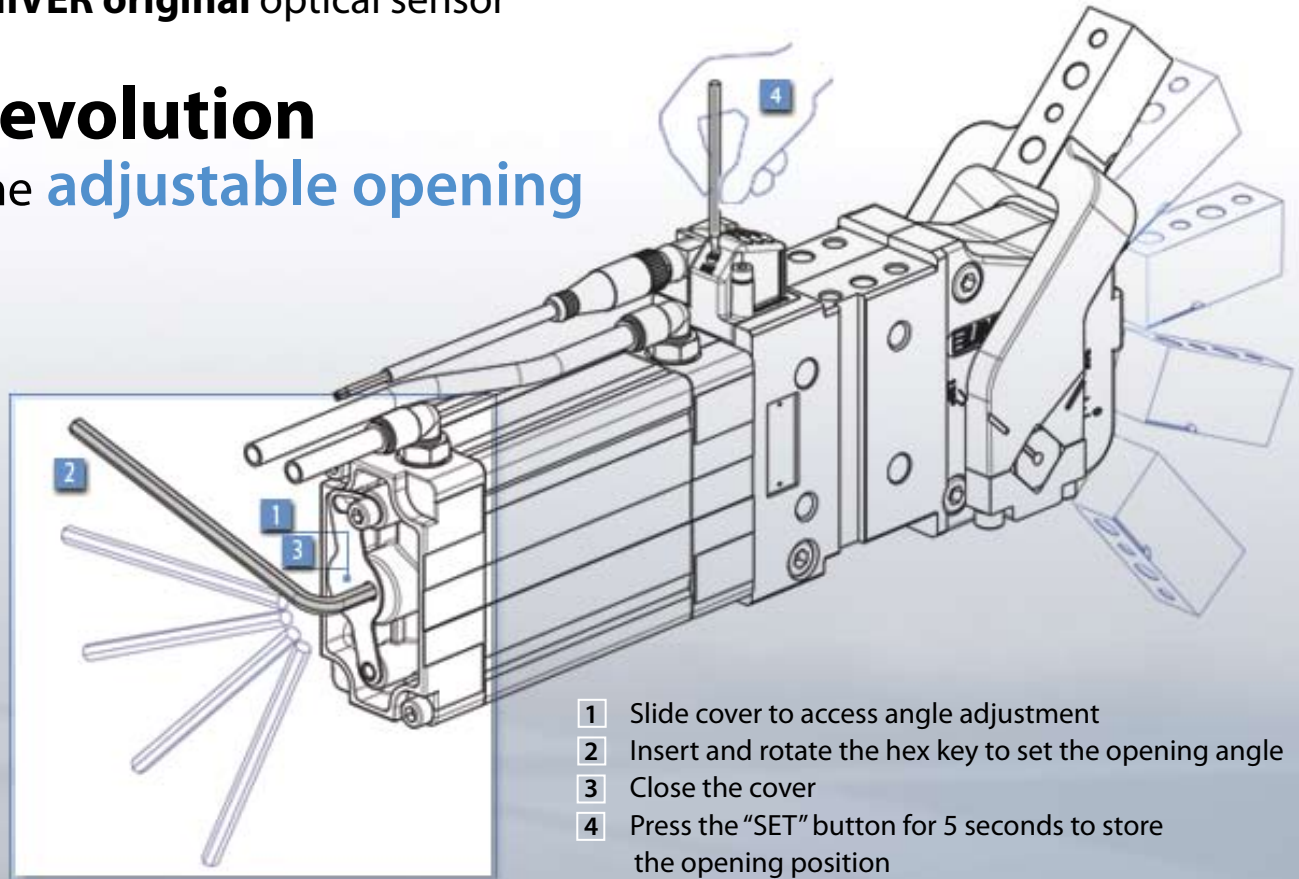


UNIVERSAL_Power clamps

- **Fully adjustable** opening angle
- **UNIVER original** optical sensor

The **evolution**
of the **adjustable opening**



- 1 Slide cover to access angle adjustment
- 2 Insert and rotate the hex key to set the opening angle
- 3 Close the cover
- 4 Press the "SET" button for 5 seconds to store the opening position

COMPLETE INTERCHANGEABILITY with LAP/LNP series:

- Interchangeable **mounting**
- Interchangeable **overall dimensions**
- Interchangeable **models and options**
- Same **inner linkage mechanism**

ADVANTAGES FOR THE END CUSTOMER:

UNIVERSAL series:

- Allows **opening angle** to be adjusted from 0° to 125° for the 40mm bore and from 0° to 135° for the 50, 63, 80mm bore
- Allows **to set the opening** angle with or without air supply
- Reduces **stock requirements: one UNIVERSAL unit** can be used to set all possible opening angles
- Can be used **as direct replacement** for LAP/LNP series
- Increases **productivity** and decreases cycle time by being able to set the clamp to the minimum required opening angle
- Guarantees the same reliability recognized by the market thanks to the use of the **already proven inner linkage mechanism** of the LAP/LNP series
- Provides **pumatic ports on both sides** of the cylinder
- Is equipped with a **UNIVER original all metal construction optical sensor**, which is IP65 and includes a swivel connector which can be orientated in 0° or 90°



UBM50

UNIVERSAL power clamps

U	B	M	5	0	N	N	U
1	2	3	4	5	6		

1 Series	2 Version	3 Size
-----------------	------------------	---------------

UB = UNIVERSAL power clamps
- fully adjustable opening angle
from 0° to 135°

M = Pneumatic with manual lever

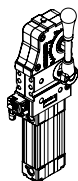
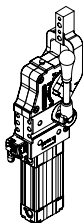
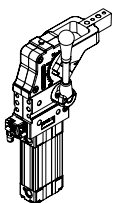
50 = Ø 50 mm

4 Arm mount position	5 Arm style	6 Sensing style
-----------------------------	--------------------	------------------------

V = 90°

O = 180°

N = no arm

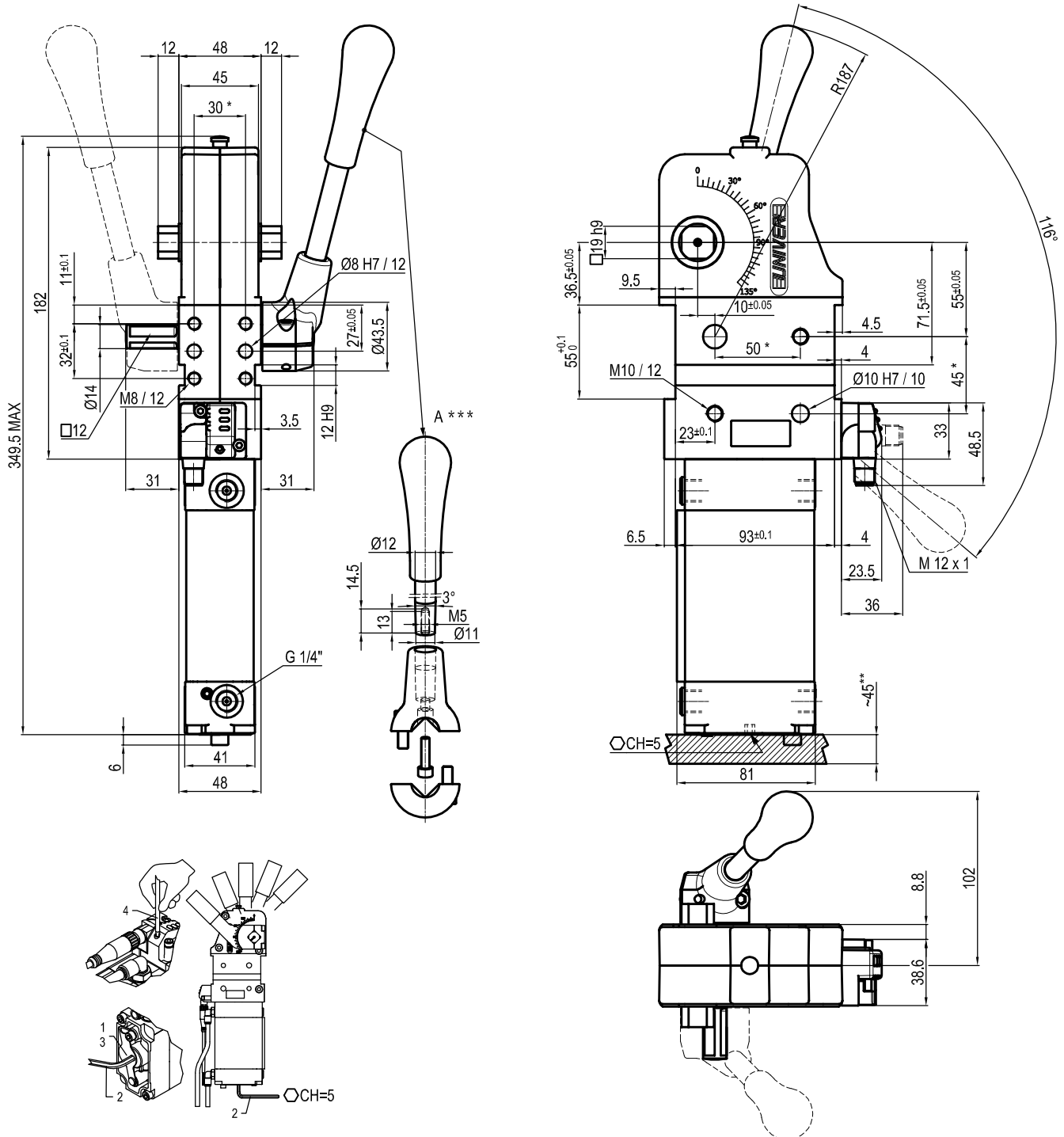


- C** = Central - standard
- D** = Right - standard
- S** = Left - standard
- E** = Central, 45mm from pivot point
- F** = Right, 45mm from pivot point
- L** = Left, 45mm from pivot point
- O** = Central with self-holding system
- P** = Right with self-holding system
- Q** = Left with self-holding system
- N** = No arm
- X** = Central, oversize dowel holes Ø 8 H7
- Y** = Right, oversize dowel holes Ø 8 H7
- Z** = Left, oversize dowel holes Ø 8 H7

- N** = no sensor
(with protection plate)
- U** = Electronic 24 Vdc sensor with M12
swivel connector



UNIVERSAL Pneumatic power clamp



Bore Ø	Holding moment	Clamping moment	Weight
50 mm	1250 Nm	280 Nm	3.5 Kg

Min./Max. operating pressure: **0,4 / 0,8 MPa**

Operating temperature: **5° + 45° C**

Opening angle: **adjustable from 0° to 105°**

Without arm

With manual lever

Electronic 24 Vdc, sensor with M12 swivel connector that can be orientated at 0° or 90°

Protection Class: **IP 65**

Pneumatic ports on both sides

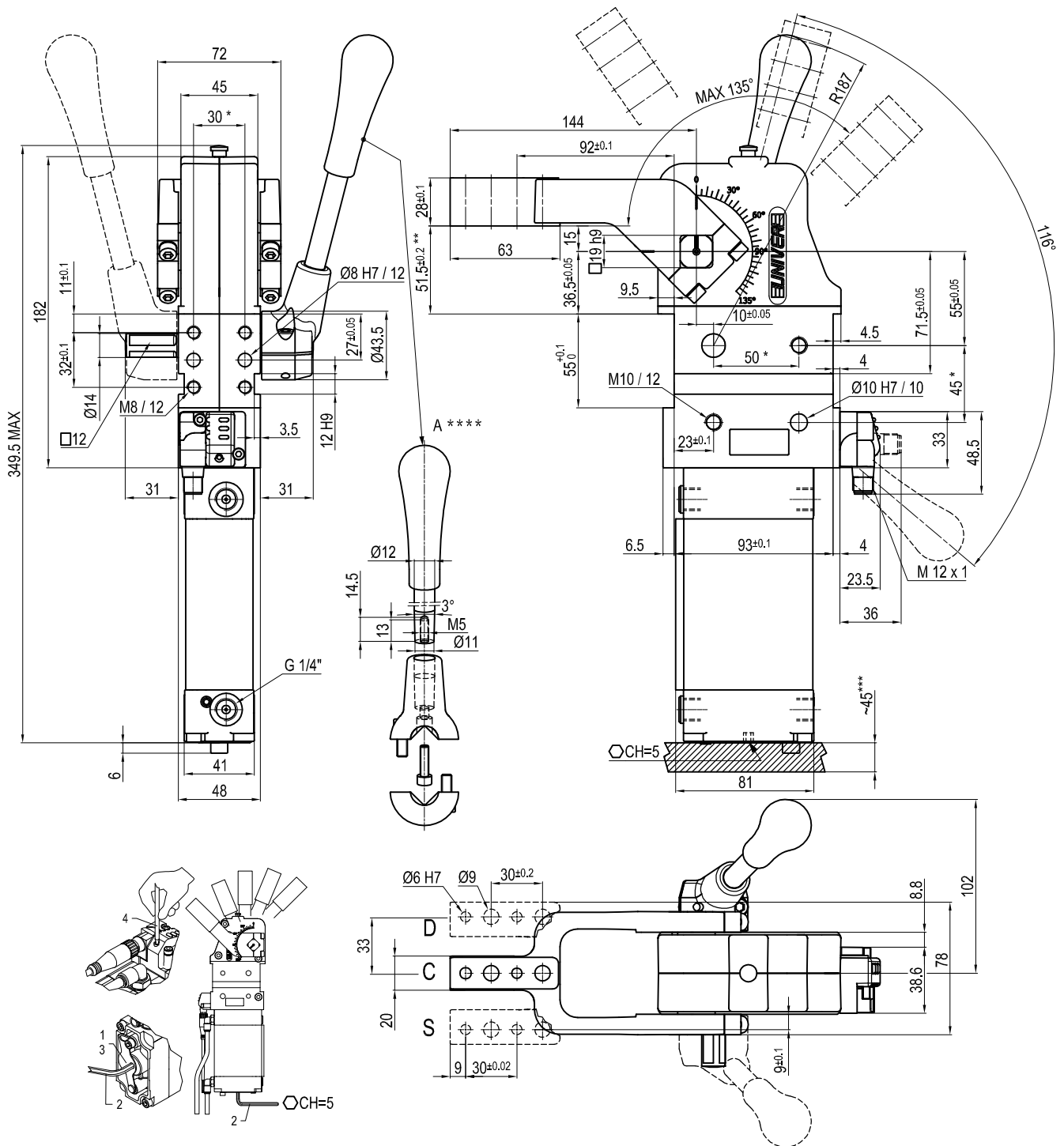
* : TOLERANCE BETWEEN DOWELS ± 0.02, TO SCREW HOLES ± 0.1

** : AREA TO ACCESS ANGLE ADJUSTMENT

*** : DIMENSIONS TO BE RESPECTED IN CASE OTHER MANUAL LEVERS ARE USED

Subject to technical modifications without notice

UNIVERSAL Pneumatic power clamp



Bore \varnothing	Holding moment	Clamping moment	Weight
50 mm	1250 Nm	280 Nm	3.9 Kg

Min./Max. operating pressure: **0,4 / 0,8 MPa**

Operating temperature: **5° + 45° C**

Opening angle: **adjustable from 0° to 135°**

Vertical arm mount position

With manual lever

Electronic 24 Vdc, sensor with M12 swivel connector that can be orientated at 0° or 90°

Protection Class: **IP 65**

Pneumatic ports on both sides

* : TOLERANCE BETWEEN DOWELS ± 0.02 , TO SCREW HOLES ± 0.1

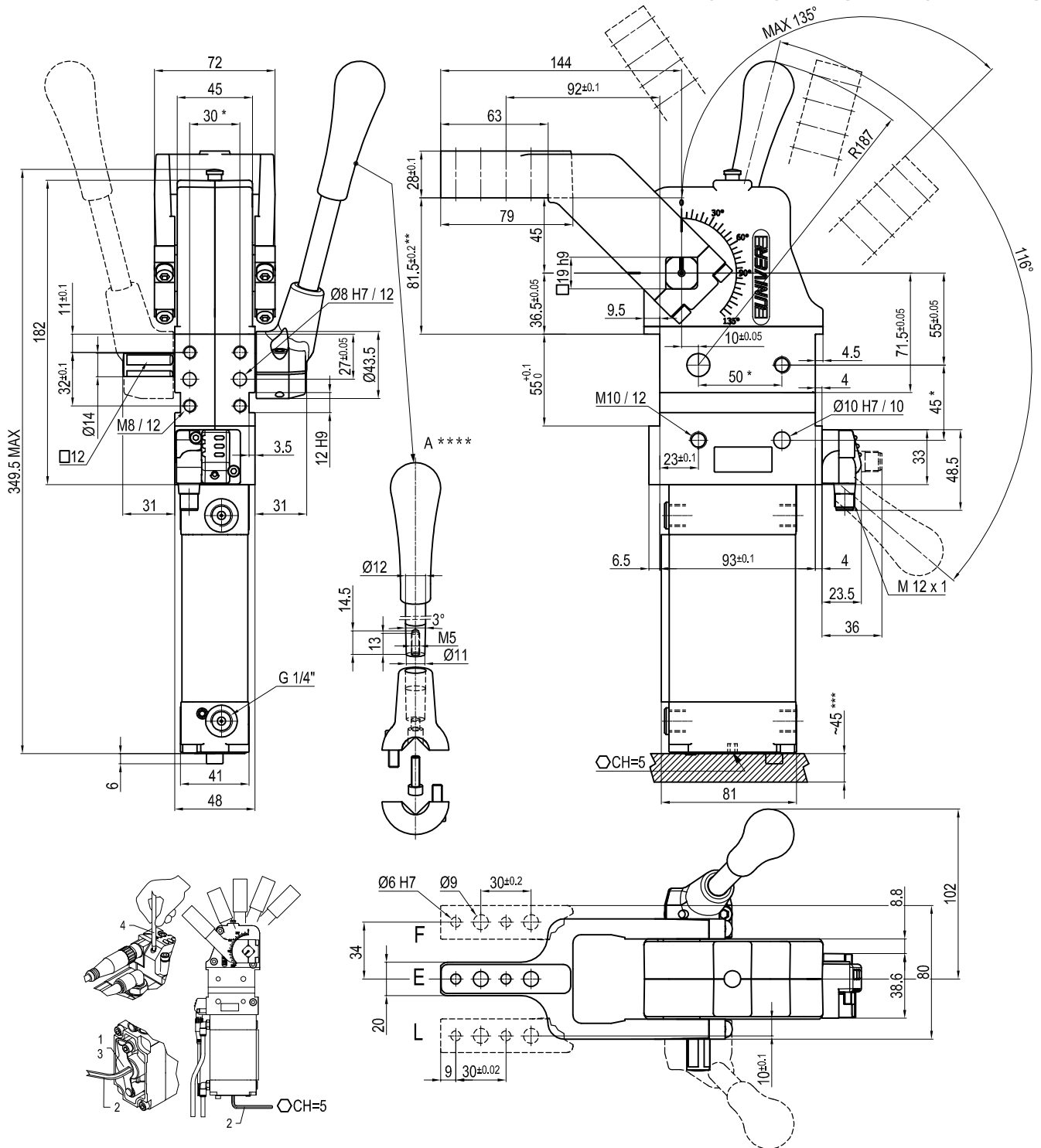
** : TOLERANCE AT 80 mm FROM PIVOT POINT

*** : AREA TO ACCESS ANGLE ADJUSTMENT

**** : DIMENSIONS TO BE RESPECTED IN CASE OTHER MANUAL LEVERS ARE USED

Subject to technical modifications without notice

UNIVERSAL Pneumatic power clamp arm at 45 mm from pivot point (arm style E-L-F)



Bore Ø	Holding moment	Clamping moment	Weight
50 mm	1250 Nm	280 Nm	4 Kg

Min./Max. operating pressure: **0,4 / 0,8 MPa**

Operating temperature: **5° + 45° C**

Opening angle: **adjustable from 0° to 135°**

Vertical arm mount position

With manual lever

Electronic 24 Vdc, sensor with M12 swivel connector that can be orientated at 0° or 90°

Protection Class: **IP 65**

Pneumatic ports on both sides

* : TOLERANCE BETWEEN DOWELS ± 0.02, TO SCREW HOLES ± 0.1

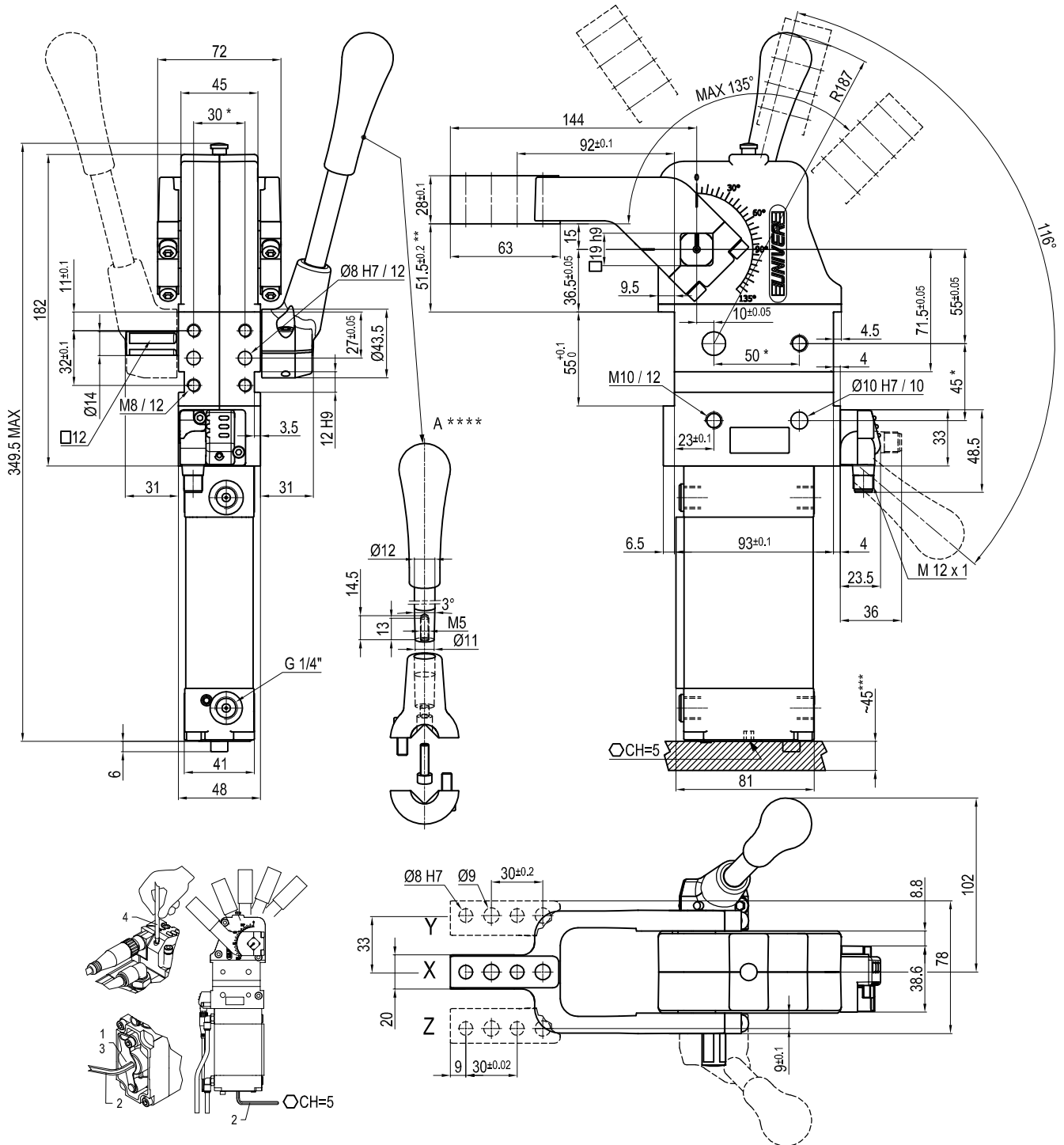
** : TOLERANCE AT 80 mm FROM PIVOT POINT

*** : AREA TO ACCESS ANGLE ADJUSTMENT

**** : DIMENSIONS TO BE RESPECTED IN CASE OTHER MANUAL LEVERS ARE USED

Subject to technical modifications without notice

UNIVERSAL Pneumatic power clamp (arm style X-Y-Z)



Bore \varnothing	Holding moment	Clamping moment	Weight
50 mm	1250 Nm	280 Nm	3.9 Kg

Min./Max. operating pressure: **0,4 / 0,8 MPa**

Operating temperature: **5° + 45° C**

Opening angle: **adjustable from 0° to 135°**

Vertical arm mount position

With manual lever

Electronic 24 Vdc, sensor with M12 swivel connector that can be orientated at 0° or 90°

Protection Class: **IP 65**

Pneumatic ports on both sides

* : TOLERANCE BETWEEN DOWELS ± 0.02 , TO SCREW HOLES ± 0.1

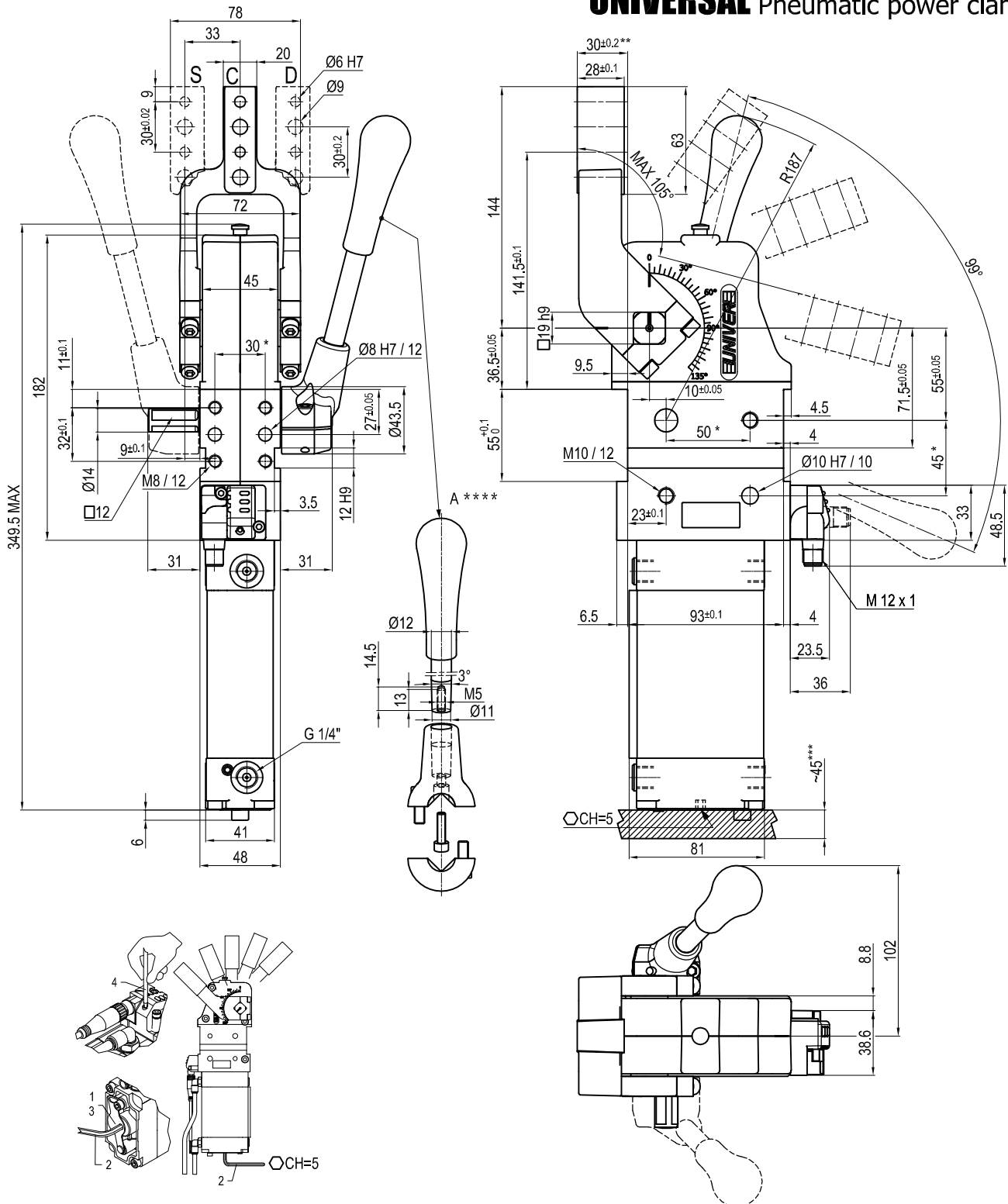
** : TOLERANCE AT 80 mm FROM PIVOT POINT

*** : AREA TO ACCESS ANGLE ADJUSTMENT

**** : DIMENSIONS TO BE RESPECTED IN CASE OTHER MANUAL LEVERS ARE USED

Subject to technical modifications without notice

UNIVERSAL Pneumatic power clamp



Bore Ø	Holding moment	Clamping moment	Weight
50 mm	1250 Nm	280 Nm	3.9 Kg

Min./Max. operating pressure: **0,4 / 0,8 MPa**

Operating temperature: **5° + 45° C**

Opening angle: **adjustable from 0° to 105°**

Horizontal arm mount position

With manual lever

Electronic 24 Vdc, sensor with M12 swivel connector that can be orientated at 0° or 90°

Protection Class: **IP 65**

Pneumatic ports on both sides

* : TOLERANCE BETWEEN DOWELS ± 0.02, TO SCREW HOLES ± 0.1

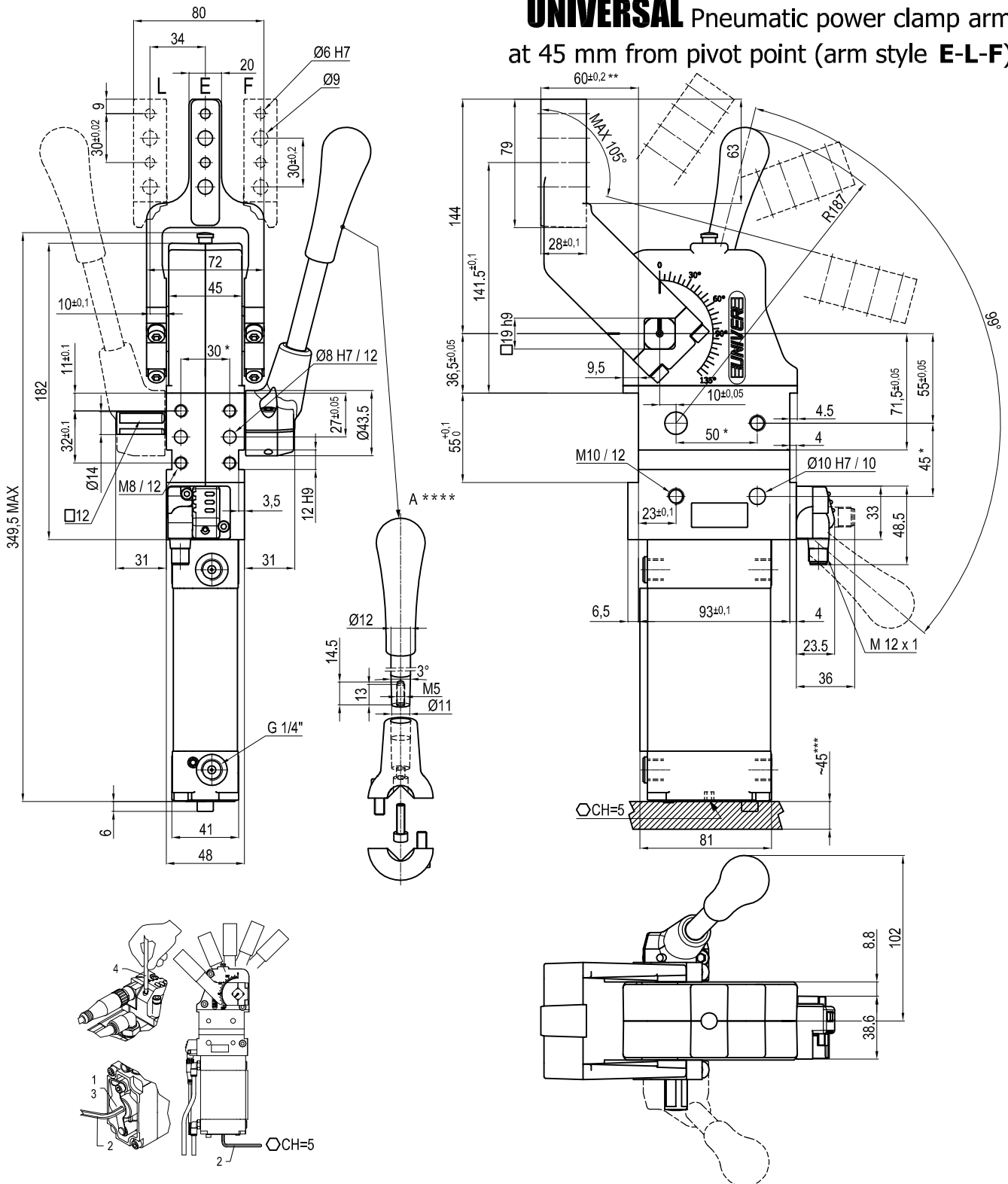
** : TOLERANCE AT 80 mm FROM PIVOT POINT

*** : AREA TO ACCESS ANGLE ADJUSTMENT

**** : DIMENSIONS TO BE RESPECTED IN CASE OTHER MANUAL LEVERS ARE USED

Subject to technical modifications without notice

UNIVERSAL Pneumatic power clamp arm at 45 mm from pivot point (arm style E-L-F)



Bore Ø	Holding moment	Clamping moment	Weight
50 mm	1250 Nm	280 Nm	4 Kg

Min./Max. operating pressure: **0,4 / 0,8 MPa**

Operating temperature: **5° + 45° C**

Opening angle: **adjustable from 0° to 105°**

Horizontal arm mount position

With manual lever

Electronic 24 Vdc, sensor with M12 swivel connector that can be orientated at 0° or 90°

Protection Class: **IP 65**

Pneumatic ports on both sides

* : TOLERANCE BETWEEN DOWELS ± 0.02, TO SCREW HOLES ± 0.1

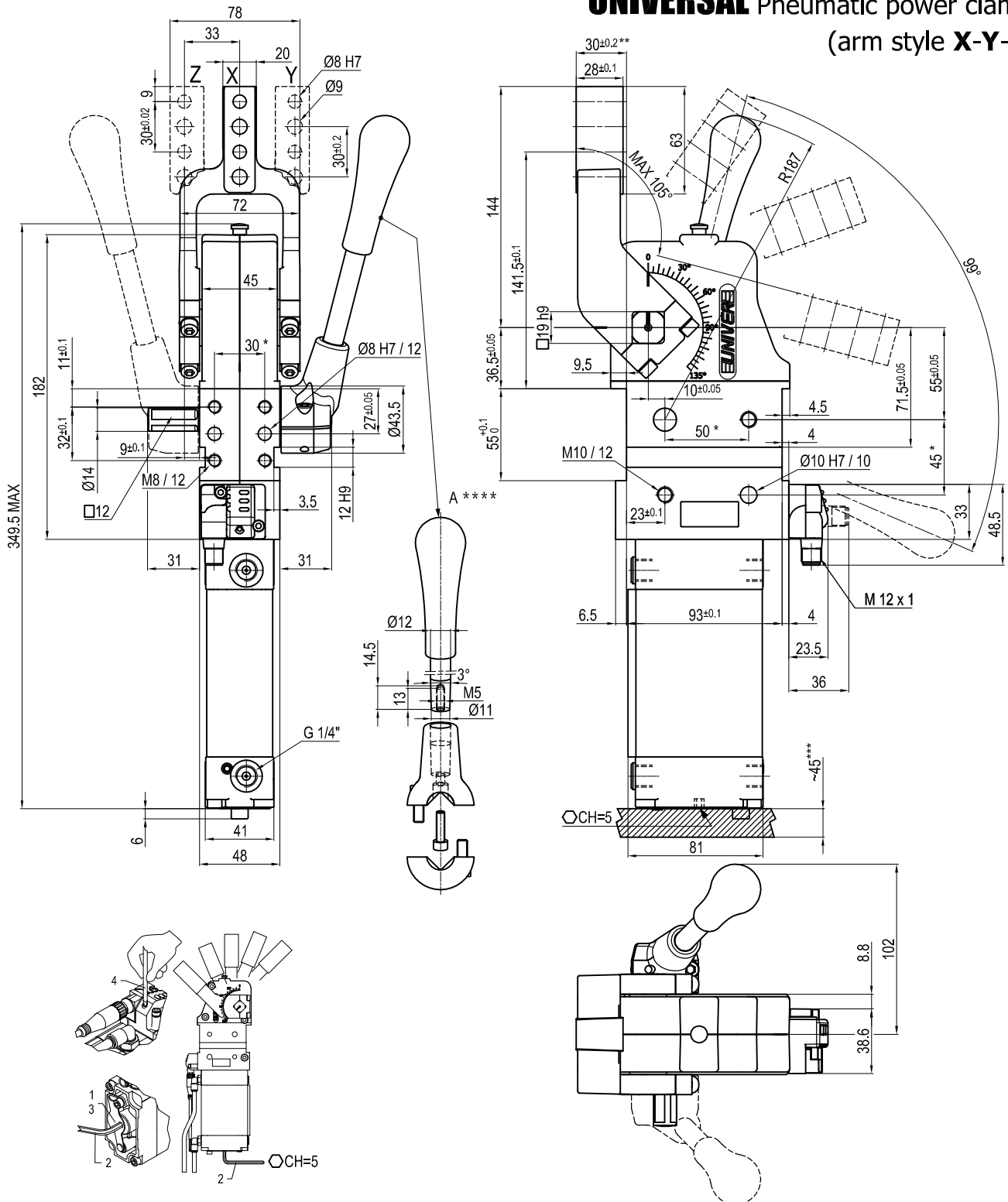
** : TOLERANCE AT 80 mm FROM PIVOT POINT

*** : AREA TO ACCESS ANGLE ADJUSTMENT

**** : DIMENSIONS TO BE RESPECTED IN CASE OTHER MANUAL LEVERS ARE USED

Subject to technical modifications without notice

UNIVERSAL Pneumatic power clamp (arm style X-Y-Z)



Bore Ø	Holding moment	Clamping moment	Weight
50 mm	1250 Nm	280 Nm	3.9 Kg

Min./Max. operating pressure: **0,4 / 0,8 MPa**
 Operating temperature: **5° + 45° C**
 Opening angle: **adjustable from 0° to 105°**
 Horizontal arm mount position
 With manual lever
 Electronic 24 Vdc, sensor with M12 swivel connector that can be orientated at 0° or 90°
 Protection Class: **IP 65**
 Pneumatic ports on both sides

* : TOLERANCE BETWEEN DOWELS ± 0.02, TO SCREW HOLES ± 0.1
 ** : TOLERANCE AT 80 mm FROM PIVOT POINT
 *** : AREA TO ACCESS ANGLE ADJUSTMENT
 **** : DIMENSIONS TO BE RESPECTED IN CASE OTHER MANUAL LEVERS ARE USED

Subject to technical modifications without notice