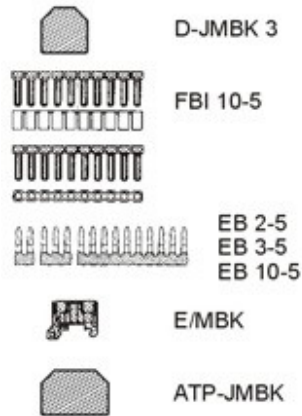


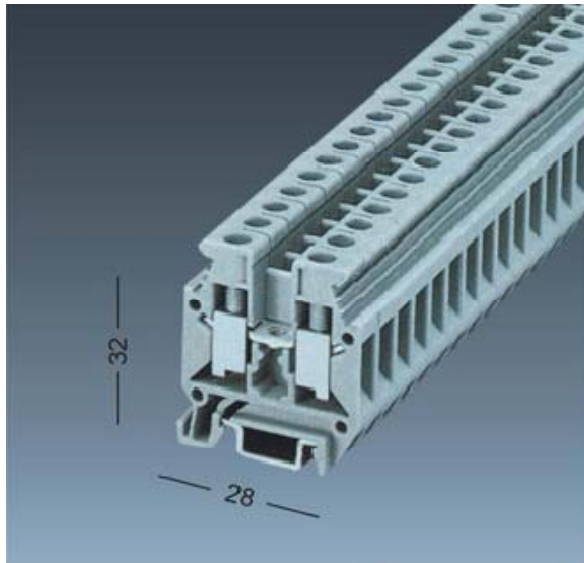
# JMBK Series Micro Terminal Block



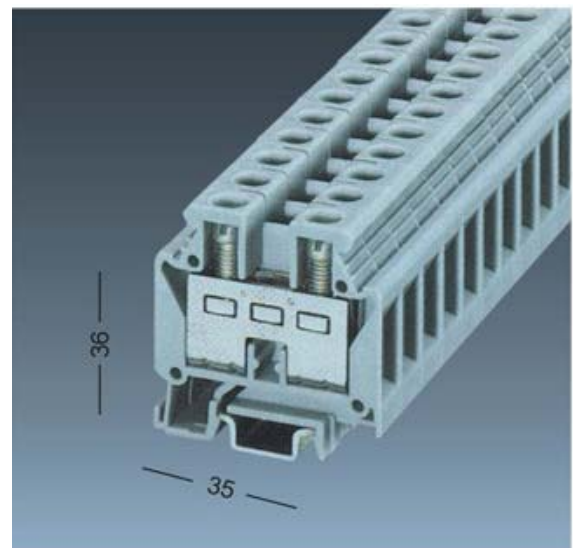
Type Thickness of terminal 5.2

Type	Hard lead	Soft lead	CE CQC Certificate
	[mm <sup>2</sup> ]		
<b>JMBK 3/E-Z</b>	0.2-4	0.2-2.5	With label strip (ZB5)
IEC 947-7-1	Current 32A	Voltage 500V	In  type

(1)End board



Type	Thickness of terminal 6.2		
<b>JMBK 5/E-Z</b>	Hard lead	Soft lead	CE CQC Certificate
IEC 947-7-1	0.2-6	0.2-4	With label strip (ZB6)
	Current 41A	Voltage 500V	In  type



Type	Thickness of terminal 8.2		
<b>JMBK 6/E</b>	Hard lead	Soft lead	CE CQC Certificate
IEC 947-7-1	0.5-10	0.5-6	With label strip (ZB8)
	Current 57A	Voltage 500V	In  type



D-JMBK 6/E

D-MBK 6/E