

Data Sheet External Trigger Transformers



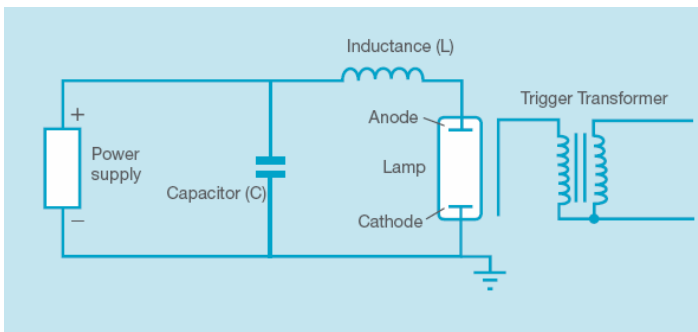
In most cases, arc lamps require a trigger pulse to cause the initial ionisation of the gas. This pulse is usually in the order of 20 – 30 kV with a pulse width of a few microseconds. In the case of pulse lamps without a simmer supply, the lamp needs to be triggered for every pulse. Simmered pulse lamps and CW lamps are only triggered when the lamp is switched on.

Heraeus Noblelight offers quality transformers for external triggering of lamps. Individual data sheets are available on request.

Technical data

Model	NL-102	NL-103	NL-104	NL-105
Triggering method	external	external	external	external
Maximum input voltage (V)	400	200	400	400
Output voltage (kV)	26	20	20	26
Turns ratio	71.1 : 1	102 : 1	50 : 1	71.1 : 1
Primary inductance (uH)	11 ± 3	6.6	55 ± 10	11 ± 3
Diameter (mm)	16	25.4	12.7	-
Length (mm)	35	38	21.8	16.5 x 17.8 x 43.2
Equivalent to	PerkinElmer ZS1031/11	PerkinElmer TR180-B	Amglo VE20-1	PerkinElmer ZS1032/05

Typical set up



International contact

Heraeus Noblelight Ltd.
Cambridge Science Park
Cambridge CB4 0FQ
United Kingdom

Telephone +44 1223 423324
Fax +44 1223 423999
hnl-laserlamps@heraeus.com
www.heraeus-noblelight.com