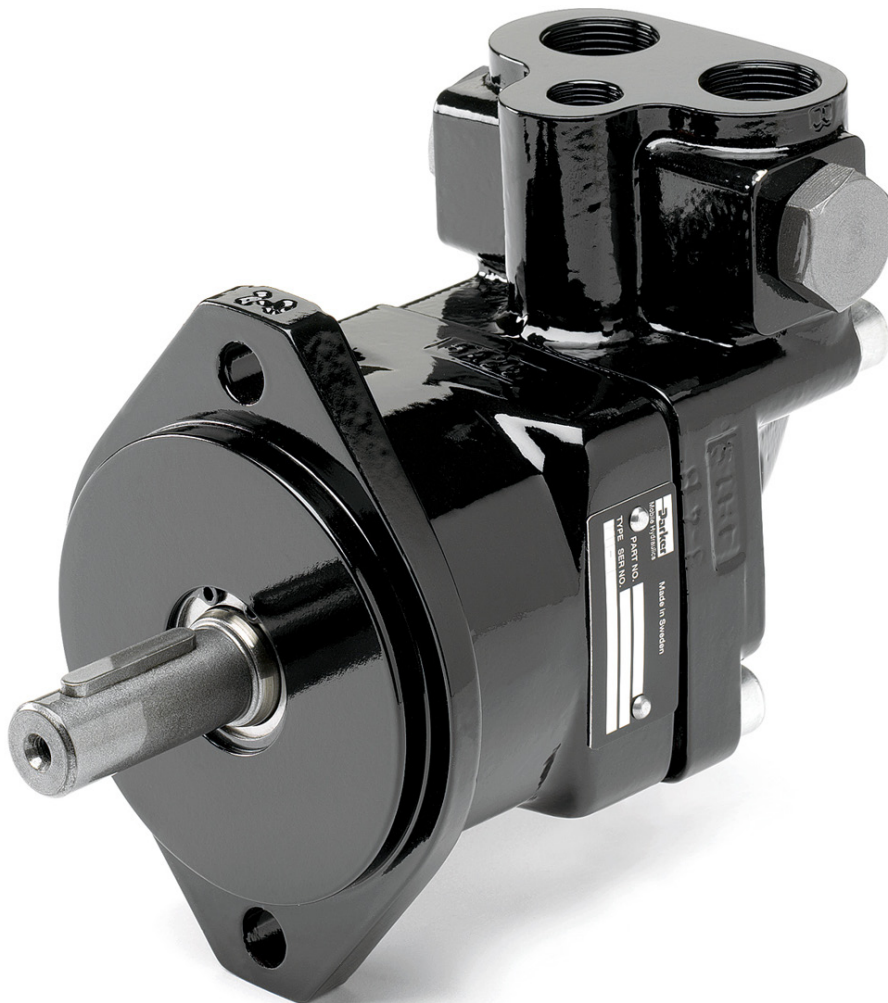


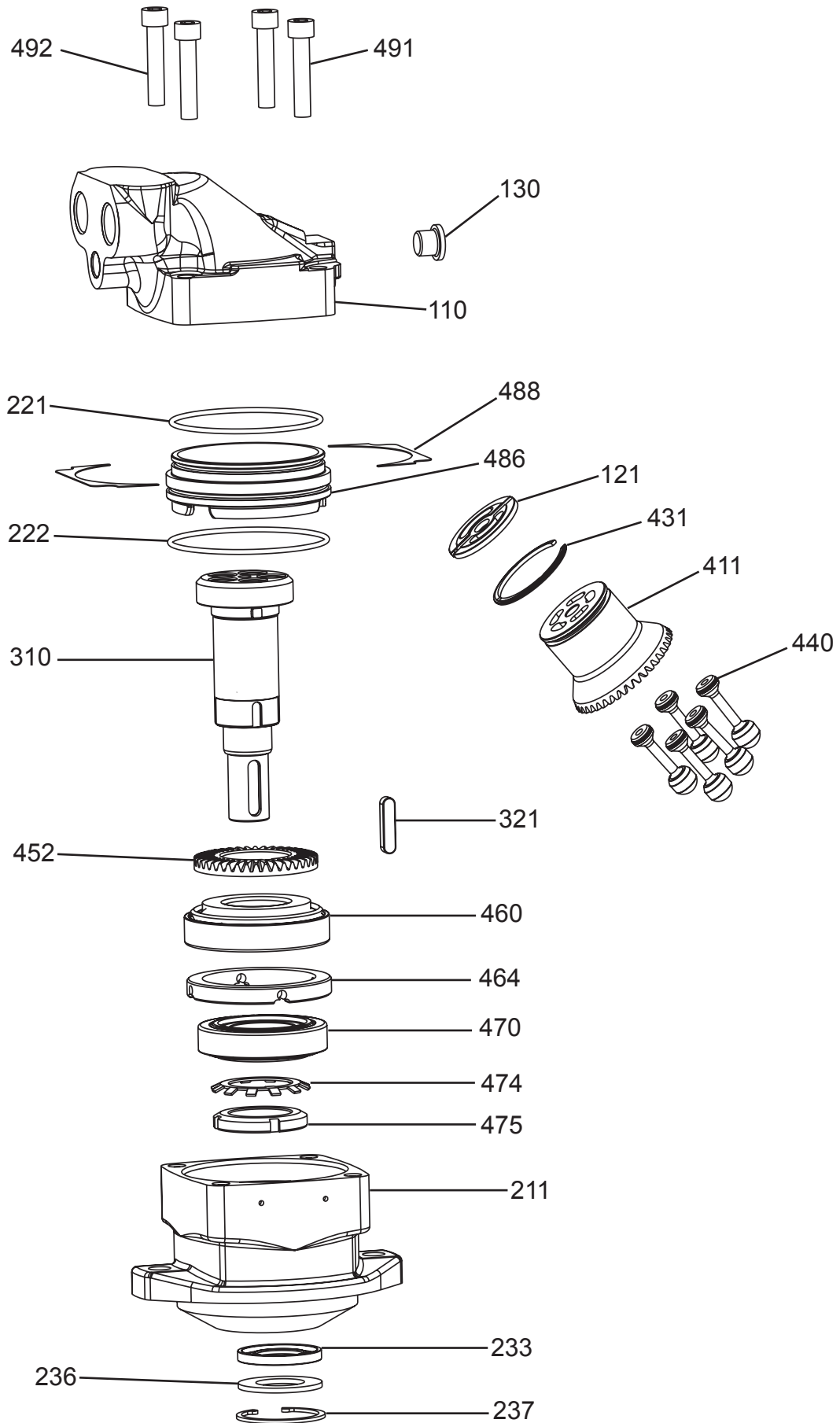


Bulletin HY30-5511-M1/UK/SE

Spare Parts Series F11

Effective: December, 2012
Supersedes: March, 2011





| Item | Part No | Title | Benämning | Qty | Remarks |
|------|---------|-----------------------|----------------|-----|----------------------------|
| 110 | 3703007 | Barrel Housing Assy | Övre hus kpl | 1 | Type B |
| 110 | 3704304 | Barrel Housing Assy | Övre hus kpl | 1 | Type U |
| 121 | 3702390 | Valve Plate | Ventilskiva | 1 | Type G |
| 121 | 3707105 | Valve Plate | Ventilskiva | 1 | Type H |
| 121 | 3707157 | Valve Plate | Ventilskiva | 1 | Type J |
| 121 | 3703652 | Valve Plate | Ventilskiva | 1 | Type L |
| 121 | 3701897 | Valve Plate | Ventilskiva | 1 | Type M |
| 121 | 3703651 | Valve Plate | Ventilskiva | 1 | Type Q |
| 121 | 3703653 | Valve Plate | Ventilskiva | 1 | Type R |
| 130 | 3785228 | Hex Socket Plug Assy | Insexpropp kpl | 1 | For B |
| 130 | 3707297 | Hex Socket Plug Assy | Insexpropp kpl | 1 | For U |
| 211 | 3700520 | Bearing Housing | Undre hus | 1 | Type C |
| 237 | 914519 | Retaining Ring | Spårring | 1 | |
| 310 | 3796078 | Shaft Assy | Axel, kpl | 1 | Type D Replaces 3703525 |
| 310 | 3796077 | Shaft Assy | Axel, kpl | 1 | Type K Replaces 3701173 |
| 315 | 3794434 | Pin | Styrtapp | 1 | |
| 321 | 3796440 | Flat Key | Plattkil | 1 | For K Replaces 909869 |
| 411 | 3702342 | Cylinder Barrel | Cylindertrumma | 1 | |
| 431 | 3700606 | Barrel Retaining Ring | Fåstring | 1 | |
| 440 | 3708656 | Piston Assy | Kolv kpl | 5 | |
| 442 | 3708651 | Piston Ring | Kolring | 15 | Not available See SI 08/02 |
| 452 | 3795831 | Ring Gear | Kuggkrans | 1 | Replaces 3700596 |
| 460 | 118206 | Tap Rol Bearing | Kon rullager | 1 | |
| 464 | 3700516 | Spacer Ring | Distansring | 1 | |
| 470 | 118017 | Tap Rol Bearing | Kon rullager | 1 | |
| 474 | 907023 | Lock Washer | Låsbricka | 1 | |
| 475 | 3785450 | Round Nut | Rundmutter | 1 | Replaces 906633 |
| 486 | 3700518 | Guide Spacer | Styrhylsa | 1 | Not available |
| 486 | 3797258 | Guide Spacer | Styrhylsa | 1 | New type |
| 488 | 3700523 | Shim | Justerbricka | 1 | 1.25 |
| 488 | 3700524 | Shim | Justerbricka | 1 | 1.375 |
| 488 | 3700525 | Shim | Justerbricka | 1 | 1.50 Ref. SI 95-03 |
| 488 | 3700526 | Shim | Justerbricka | 1 | 1.625 |
| 488 | 3700527 | Shim | Justerbricka | 1 | 1.75 |
| 488 | 3700528 | Shim | Justerbricka | 1 | 1.875 |
| 488 | 3700529 | Shim | Justerbricka | 1 | 2.00 |
| 488 | 3797401 | Shim | Justerbricka | 2 | 0.4 New type |
| 488 | 3797402 | Shim | Justerbricka | 2 | 0.5 " " |
| 488 | 3797403 | Shim | Justerbricka | 2 | 0.6 " " |
| 488 | 3797404 | Shim | Justerbricka | 2 | 0.7 " " |
| 491 | 959224 | Hex Socket Screw | Insexskruv | 2 | |
| 492 | 959231 | Hex Socket Screw | Insexskruv | 2 | |

| Item | Part No | Title | Benämning | Qty | Remarks |
|------|---------|-----------------------|----------------|-----|---------|
| 110 | 3795133 | Barrel Housing Assy | Övre hus kpl | 1 | Type B |
| 121 | 3795135 | Valve Plate | Ventilskiva | 1 | Type M |
| 130 | 3785226 | Hex Socket Plug | Insexpropp | 1 | |
| 211 | 3700905 | Bearing Housing | Undre hus | 1 | Type C |
| 237 | 914519 | Retaining Ring | Spärring | 1 | |
| 310 | 3796080 | Shaft Assy | Axel, kpl | 1 | Type K |
| 321 | 3796439 | Flat Key | Plattkil | 1 | For K |
| 411 | 3795138 | Cylinder Barrel | Cylindertrumma | 1 | |
| 431 | 3700973 | Barrel Retaining Ring | Fästring | 1 | |
| 440 | 3795137 | Piston Assy | Kolv kpl | 5 | |
| 452 | 3795832 | Ring Gear | Kuggkrans | 1 | |
| 460 | 3798537 | Tap Rol Bearing | Kon rullager | 1 | |
| 464 | 3700954 | Spacer Ring | Distansring | 1 | |
| 470 | 118201 | Tap Rol Bearing | Kon rullager | 1 | |
| 474 | 907024 | Lock Washer | Låsbricka | 1 | |
| 475 | 906634 | Round Nut | Rundmutter | 1 | |
| 486 | 3783044 | Guide Spacer | Styrhylsa | 1 | |
| 488 | 3797411 | Shim | Justerbricka | 2 | 0.4 |
| 488 | 3797412 | Shim | Justerbricka | 2 | 0.5 |
| 488 | 3797413 | Shim | Justerbricka | 2 | 0.6 |
| 488 | 3797414 | Shim | Justerbricka | 2 | 0.7 |
| 488 | 3797415 | Shim | Justerbricka | 2 | 0.8 |
| 491 | 959241 | Hex Socket Screw | Insexskruv | 2 | |
| 492 | 959249 | Hex Socket Screw | Insexskruv | 2 | |

| Item | Part No | Title | Benämning | Qty | Remarks |
|------|---------|-----------------------|----------------|-----|----------------------------|
| 110 | 3703010 | Barrel Housing Assy | Övre hus kpl | 1 | Type B |
| 110 | 3704105 | Barrel Housing Assy | Övre hus kpl | 1 | Type U |
| 121 | 3702392 | Valve Plate | Ventilskiva | 1 | Type G |
| 121 | 3707104 | Valve Plate | Ventilskiva | 1 | Type H |
| 121 | 3707158 | Valve Plate | Ventilskiva | 1 | Type J |
| 121 | 3703590 | Valve Plate | Ventilskiva | 1 | Type L |
| 121 | 3701895 | Valve Plate | Ventilskiva | 1 | Type M |
| 121 | 3703589 | Valve Plate | Ventilskiva | 1 | Type Q |
| 121 | 3703591 | Valve Plate | Ventilskiva | 1 | Type R |
| 130 | 3707297 | Hex Socket Plug Assy | Insexpropp kpl | 1 | For U |
| 130 | 3785226 | Hex Socket Plug Assy | Insexpropp kpl | 1 | For B |
| 211 | 3700905 | Bearing Housing | Undre hus | 1 | Type C |
| 237 | 914519 | Retaining Ring | Spårring | 1 | |
| 310 | 3796083 | Shaft Assy | Axel kpl | 1 | Type D |
| 310 | 3796080 | Shaft Assy | Axel kpl | 1 | Type K |
| 310 | 3796081 | Shaft Assy | Axel kpl | 1 | Type X-106 |
| 315 | 3792207 | Pin | Styrtapp | 1 | Replaces 3700927 |
| 321 | 3796439 | Flat Key | Plattkil | 1 | For K |
| 321 | 906707 | Flat Key | Plattkil | 1 | For X-106 |
| 411 | 3702958 | Cylinder Barrel | Cylindertrumma | 1 | Replaces 909871 |
| 431 | 3700973 | Barrel Retaining Ring | Fästring | 1 | |
| 440 | 3708657 | Piston Assy | Kolv kpl | 5 | |
| 442 | 3708652 | Piston Ring | Kolvring | 15 | Not available See SI 98/02 |
| 452 | 3795832 | Ring Gear | Kuggkrans | 1 | Replaces 3700598 |
| 460 | 3798537 | Tap Rol Bearing | Kon rullager | 1 | Replaces 0118024 |
| 464 | 3700954 | Spacer Ring | Distansring | 1 | |
| 470 | 118201 | Tap Rol Bearing | Kon rullager | 1 | 30206 |
| 474 | 907024 | Lock Washer | Låsbricka | 1 | |
| 475 | 906634 | Round Nut | Rundmutter | 1 | |
| 486 | 3700947 | Guide Spacer | Styrhylsa | 1 | Not available |
| 486 | 3783044 | Guide Spacer | Styrhylsa | 1 | Replaces 3797259 |
| 488 | 3700975 | Shim | Justerbricka | 1 | 2,25 |
| 488 | 3700976 | Shim | Justerbricka | 1 | 2,375 |
| 488 | 3700977 | Shim | Justerbricka | 1 | 2,50 |
| 488 | 3700978 | Shim | Justerbricka | 1 | 2,625 |
| 488 | 3700979 | Shim | Justerbricka | 1 | 2,75 |
| 488 | 3700980 | Shim | Justerbricka | 1 | 2,875 |
| 488 | 3700981 | Shim | Justerbricka | 1 | 3,00 |
| 488 | 3797411 | Shim | Justerbricka | 2 | 0.4 New type |
| 488 | 3797412 | Shim | Justerbricka | 2 | 0.5 " " |
| 488 | 3797413 | Shim | Justerbricka | 2 | 0.6 " " |
| 488 | 3797414 | Shim | Justerbricka | 2 | 0.7 " " |
| 491 | 959241 | Hex Socket Screw | Insexskruv | 2 | |
| 491 | 959249 | Hex Socket Screw | Insexskruv | 2 | |

| Item | Part No | Title | Benämning | Qty | Remarks |
|------|---------|-----------------------|----------------|-----|------------------------|
| 110 | 3783214 | Barrel Housing Assy | Trumhus kpl | 1 | Type B BSP threads |
| 110 | 3783280 | Barrel Housing Assy | Trumhus kpl | 1 | Type F Metric threads |
| 110 | 3783196 | Barrel Housing Assy | Trumhus kpl | 1 | Type L Anti-cav Left |
| 110 | 3783195 | Barrel Housing Assy | Trumhus kpl | 1 | Type R Anti-cav Right |
| 110 | 3783279 | Barrel Housing Assy | Trumhus kpl | 1 | Type U SAE, UN threads |
| 121 | 3782850 | Valve Plate | Ventilskiva | 1 | Type H |
| 121 | 3783095 | Valve Plate | Ventilskiva | 1 | Type L Pump |
| 121 | 3783094 | Valve Plate | Ventilskiva | 1 | Type R Pump |
| 130 | 3785226 | Hexagon Plug Assy | Insexpropp kpl | 1 | For B |
| 130 | 3707297 | Hexagon Plug Assy | Insexpropp kpl | 1 | For U |
| 211 | 3700905 | Bearing Housing | Lager hus | 1 | Type C Cetop |
| 211 | 3783243 | Bearing Housing | Lager hus | 1 | Type I ISO |
| 211 | 3783242 | Bearing Housing | Lager hus | 1 | Type S SAE |
| 237 | 914519 | Retaining Ring | Spärring | 1 | |
| 310 | 3796080 | Shaft Assy | Axel kpl | 1 | Type K ISO |
| 310 | 3785221 | Shaft Assy | Axel kpl | 1 | Type S SAE |
| 321 | 3796439 | Flat Key | Plattkil | 1 | For K |
| 411 | 3782829 | Cylinder Barrel | Cylindertrumma | 1 | |
| 431 | 3782984 | Barrel Retaining Ring | Fästring | 1 | |
| 440 | 3782828 | Piston Assy | Kolv kpl | 5 | |
| 452 | 3795832 | Ring Gear | Kuggkrans | 1 | |
| 460 | 3798537 | Tap Rol Bearing | Kon rullager | 1 | |
| 464 | 3700954 | Spacer Ring | Distansring | 1 | |
| 470 | 118201 | Tap Rol Bearing | Kon rullager | 1 | |
| 474 | 907024 | Lock Washer | Låsbricka | 1 | |
| 475 | 906634 | Round Nut | Rundmutter | 1 | |
| 486 | 3783044 | Guide Spacer | Styrhylsa | 1 | |
| 488 | 3797411 | Shim | Justerbricka | 2 | 0.4 |
| 488 | 3797412 | Shim | Justerbricka | 2 | 0.5 |
| 488 | 3797413 | Shim | Justerbricka | 2 | 0.6 |
| 488 | 3797414 | Shim | Justerbricka | 2 | 0.7 |
| 488 | 3797415 | Shim | Justerbricka | 2 | 0.8 |
| 491 | 959241 | Hex Socket Screw | Insexskruv | 2 | |
| 492 | 959249 | Hex Socket Screw | Insexskruv | 2 | |

See SI 08/02 for information about piston rings.

| Item | Part No | Title | Benämning | Qty | Remarks |
|------|---------|-----------------------|----------------|-----|------------------------|
| 110 | 3783214 | Barrel Housing Assy | Trumhus kpl | 1 | Type B BSP threads |
| 110 | 3783280 | Barrel Housing Assy | Trumhus kpl | 1 | Type F Metric threads |
| 110 | 3783196 | Barrel Housing Assy | Trumhus kpl | 1 | Type L Anti-cav Left |
| 110 | 3783195 | Barrel Housing Assy | Trumhus kpl | 1 | Type R Anti-cav Right |
| 110 | 3783279 | Barrel Housing Assy | Trumhus kpl | 1 | Type U SAE, UN threads |
| 121 | 3782850 | Valve Plate | Ventilskiva | 1 | Type H |
| 121 | 3783095 | Valve Plate | Ventilskiva | 1 | Type L Pump |
| 121 | 3783094 | Valve Plate | Ventilskiva | 1 | Type R Pump |
| 130 | 3785226 | Hexagon Plug Assy | Insexpropp kpl | 1 | For B |
| 130 | 3707297 | Hexagon Plug Assy | Insexpropp kpl | 1 | For U |
| 211 | 3783240 | Bearing Housing | Lager hus | 1 | Type C Cetop |
| 211 | 3783222 | Bearing Housing | Lager hus | 1 | Type I ISO |
| 211 | 3783223 | Bearing Housing | Lager hus | 1 | Type S SAE |
| 237 | 3783253 | Retaining Ring | Spårring | 1 | |
| 310 | 3782825 | Shaft Assy | Axel kpl | 1 | Type K ISO |
| 310 | 3783199 | Shaft Assy | Axel kpl | 1 | Type D ISO |
| 310 | 3783281 | Shaft Assy | Axel kpl | 1 | Type S SAE |
| 310 | 3783282 | Shaft Assy | Axel kpl | 1 | Type T SAE |
| 411 | 3782829 | Cylinder Barrel | Cylindertrumma | 1 | |
| 431 | 3782984 | Barrel Retaining Ring | Fåstring | 1 | |
| 440 | 3782828 | Piston Assy | Kolv kpl | 5 | |
| 452 | 3795832 | Ring Gear | Kuggkrans | 1 | |
| 460 | 3798537 | Tap Rol Bearing | Kon rullager | 1 | |
| 464 | 3700954 | Spacer Ring | Distansring | 1 | |
| 470 | 118201 | Tap Rol Bearing | Kon rullager | 1 | |
| 474 | 907024 | Lock Washer | Låsbricka | 1 | |
| 475 | 906634 | Round Nut | Rundmutter | 1 | |
| 486 | 3783044 | Guide Spacer | Styrhylsa | 1 | |
| 488 | 3797411 | Shim | Justerbricka | 2 | 0.4 |
| 488 | 3797412 | Shim | Justerbricka | 2 | 0.5 |
| 488 | 3797413 | Shim | Justerbricka | 2 | 0.6 |
| 488 | 3797414 | Shim | Justerbricka | 2 | 0.7 |
| 488 | 3797415 | Shim | Justerbricka | 2 | 0.8 |
| 491 | 959241 | Hex Socket Screw | Insexskruv | 2 | |
| 492 | 959249 | Hex Socket Screw | Insexskruv | 2 | |

See SI 08/02 for information about piston rings.

| Item | Part No | Title | Benämning | Qty | Remarks |
|------|---------|-----------------------|----------------|-----|----------------------------|
| 110 | 3706487 | Barrel Housing Assy | Övre hus kpl | 1 | Type B |
| 110 | 3703438 | Barrel Housing Assy | Övre hus kpl | 1 | Type U |
| 121 | 3701852 | Valve Plate | Ventilskiva | 1 | Type G |
| 121 | 3706330 | Valve Plate | Ventilskiva | 1 | Type H |
| 121 | 3707159 | Valve Plate | Ventilskiva | 1 | Type J |
| 121 | 3703440 | Valve Plate | Ventilskiva | 1 | Type L |
| 121 | 72846 | Valve Plate | Ventilskiva | 1 | Type M |
| 121 | 3703439 | Valve Plate | Ventilskiva | 1 | Type Q |
| 121 | 3703441 | Valve Plate | Ventilskiva | 1 | Type R |
| 130 | 3785226 | Hex Socket Plug Assy | Insexpropp kpl | 1 | For B |
| 130 | 3707297 | Hex Socket Plug Assy | Insexpropp kpl | 1 | For U |
| 211 | 3788269 | Bearing Housing | Undre hus | 1 | Type C Replaces 72834 |
| 211 | 3700237 | Bearing Housing | Undre hus | 1 | Type S |
| 237 | 914529 | Retaining Ring | Spårring | 1 | |
| 310 | 3796091 | Shaft Assy | Axel kpl | 1 | Type D Replaces 3703429 |
| 310 | 3796087 | Shaft Assy | Axel kpl | 1 | Type K Replaces 72952 |
| 310 | 3796092 | Shaft Assy | Axel kpl | 1 | Type S Replaces 3703723 |
| 310 | 3796089 | Shaft Assy | Axel kpl | 1 | Type T |
| 315 | 3792207 | Guide Pin | Styrtapp | 1 | 6x11 |
| 321 | 909305 | Flat Key | Plattkil | 1 | For K |
| 321 | 118225 | Flat Key | Plattkil | 1 | For T |
| 411 | 3702959 | Cylinder Barrel | Cylindertrumma | 1 | |
| 431 | 72686 | Barrel Retaining Ring | Fåstring | 1 | |
| 440 | 3708658 | Piston Assy | Kolv kpl | 5 | |
| 442 | 3705969 | Piston Ring | Kolvring | 15 | Not available see SI 08/02 |
| 442 | 72517 | Piston Ring | Kolvring | 5 | Spherical Not available |
| 452 | 3795833 | Ring Gear | Kuggkrans | 1 | |
| 460 | 3797156 | Tap Rol Bearing | Kon rullager | 1 | 31308 |
| 464 | 73384 | Spacer Ring | Distansring | 1 | |
| 470 | 118202 | Tap Rol Bearing | Kon rullager | 1 | 30208 |
| 474 | 907026 | Lock Washer | Låsbricka | 2 | |
| 475 | 906636 | Round Nut | Rundmutter | 1 | |
| 486 | 3785236 | Guide Spacer | Styrhylsa | 1 | Replaces 3797260 |
| 488 | 72811 | Shim | Justerbricka | 1 | 2.25 |
| 488 | 72812 | Shim | Justerbricka | 1 | 2.375 |
| 488 | 72813 | Shim | Justerbricka | 1 | 2.5 |
| 488 | 72814 | Shim | Justerbricka | 1 | 2.625 Ref. SI 95-03 |
| 488 | 72815 | Shim | Justerbricka | 1 | 2.75 |
| 488 | 72816 | Shim | Justerbricka | 1 | 2.875 |
| 488 | 72817 | Shim | Justerbricka | 1 | 3.0 |
| 488 | 3797421 | Shim | Justerbricka | 2 | 0.4 New type |
| 488 | 3797422 | Shim | Justerbricka | 2 | 0.5 " " |
| 488 | 3797423 | Shim | Justerbricka | 2 | 0.6 " " |
| 488 | 3797424 | Shim | Justerbricka | 2 | 0.7 " " |
| 491 | 959243 | Hex Socket Screw | Insexskruv | 4 | |

| Item | Part No | Title | Benämning | Qty | Remarks |
|------|---------|---------------------|----------------|-----|-------------------------|
| 110 | 3702929 | Barrel Housing Assy | Övre hus kpl | 1 | Type B |
| 110 | 3703953 | Barrel Housing Assy | Övre hus kpl | 1 | Type U |
| 121 | 3705233 | Valve Plate | Ventilskiva | 1 | Type G |
| 121 | 3706318 | Valve Plate | Ventilskiva | 1 | Type H |
| 121 | 3707160 | Valve Plate | Ventilskiva | 1 | Type J |
| 121 | 3703697 | Valve Plate | Ventilskiva | 1 | Type L |
| 121 | 3704635 | Valve Plate | Ventilskiva | 1 | Type M |
| 121 | 3702933 | Valve Plate | Ventilskiva | 1 | Type Q |
| 121 | 3703701 | Valve Plate | Ventilskiva | 1 | Type R |
| 131 | 944506 | Hex Socket Plug | Insexpropp | 1 | For B |
| 131 | 3707297 | Hex Socket Plug | Insexpropp | 1 | For U |
| 132 | 944496 | Seal Washer | Tätbricka | 1 | For B |
| 132 | 3707144 | Seal Washer | Tätbricka | 1 | For U |
| 211 | 3703716 | Bearing Housing | Undre hus | 1 | Type C |
| 211 | 3702827 | Bearing Housing | Undre hus | 1 | Type S |
| 237 | 914533 | Retaining Ring | Spårring | 1 | |
| 310 | 3796099 | Shaft Assy | Axel kpl | 1 | Type D Replaces 3703527 |
| 310 | 3796095 | Shaft Assy | Axel kpl | 1 | Type K Replaces 3702939 |
| 310 | 3796097 | Shaft Assy | Axel kpl | 1 | Type S Replaces 3703235 |
| 310 | 3796100 | Shaft Assy | Axel kpl | 1 | Type T Replaces 3703955 |
| 315 | 3709162 | Pin | Styrtapp | 1 | |
| 321 | 909305 | Flat Key | Plattkil | 1 | For K |
| 321 | 118225 | Flat Key | Plattkil | 1 | For T |
| 411 | 3702935 | Cylinder Barrel | Cylindertrumma | 1 | |
| 436 | 3702943 | Bearing Ring | Lagerring | 1 | |
| 438 | 3702944 | Leaf Spring | Bladfjäder | 1 | |
| 439 | 3702945 | Pivot Pin | Stödpinne | 1 | |
| 440 | 3706403 | Piston Assy | Kolv kpl | 5 | |
| 442 | 3795377 | Piston Ring | Kolvring | 15 | Laminated |
| 442 | 3702925 | Piston Ring | Kolvring | 5 | Spherical |
| 452 | 3702937 | Ring Gear | Kuggkrans | 1 | Not available |
| 460 | 3798865 | Tap Rol Bearing | Kon rullager | 1 | 31309 |
| 464 | 3702942 | Spacer Ring | Distansring | 1 | |
| 470 | 118770 | Tap Rol Bearing | Kon rullager | 1 | |
| 474 | 907027 | Lock Washer | Låsbricka | 1 | |
| 475 | 906637 | Round Nut | Rundmutter | 1 | |
| 486 | 3702923 | Guide Spacer | Styrhylsa | 1 | |
| 486 | 3797261 | Guide Spacer | Styrhylsa | 1 | New type |
| 488 | 3702947 | Shim | Justerbricka | 1 | 2.25 |
| 488 | 3702948 | Shim | Justerbricka | 1 | 2.375 |
| 488 | 3702949 | Shim | Justerbricka | 1 | 2.5 |
| 488 | 3702950 | Shim | Justerbricka | 1 | 2.625 |
| 488 | 3702951 | Shim | Justerbricka | 1 | 2.75 |
| 488 | 3702952 | Shim | Justerbricka | 1 | 2.875 |
| 488 | 3702953 | Shim | Justerbricka | 1 | 3.0 |
| 488 | 3797431 | Shim | Justerbricka | 2 | 0.4 New type |
| 488 | 3797432 | Shim | Justerbricka | 2 | 0.5 New type |
| 488 | 3797433 | Shim | Justerbricka | 2 | 0.6 " |
| 488 | 3797434 | Shim | Justerbricka | 2 | 0.7 " " |

SP015-0602

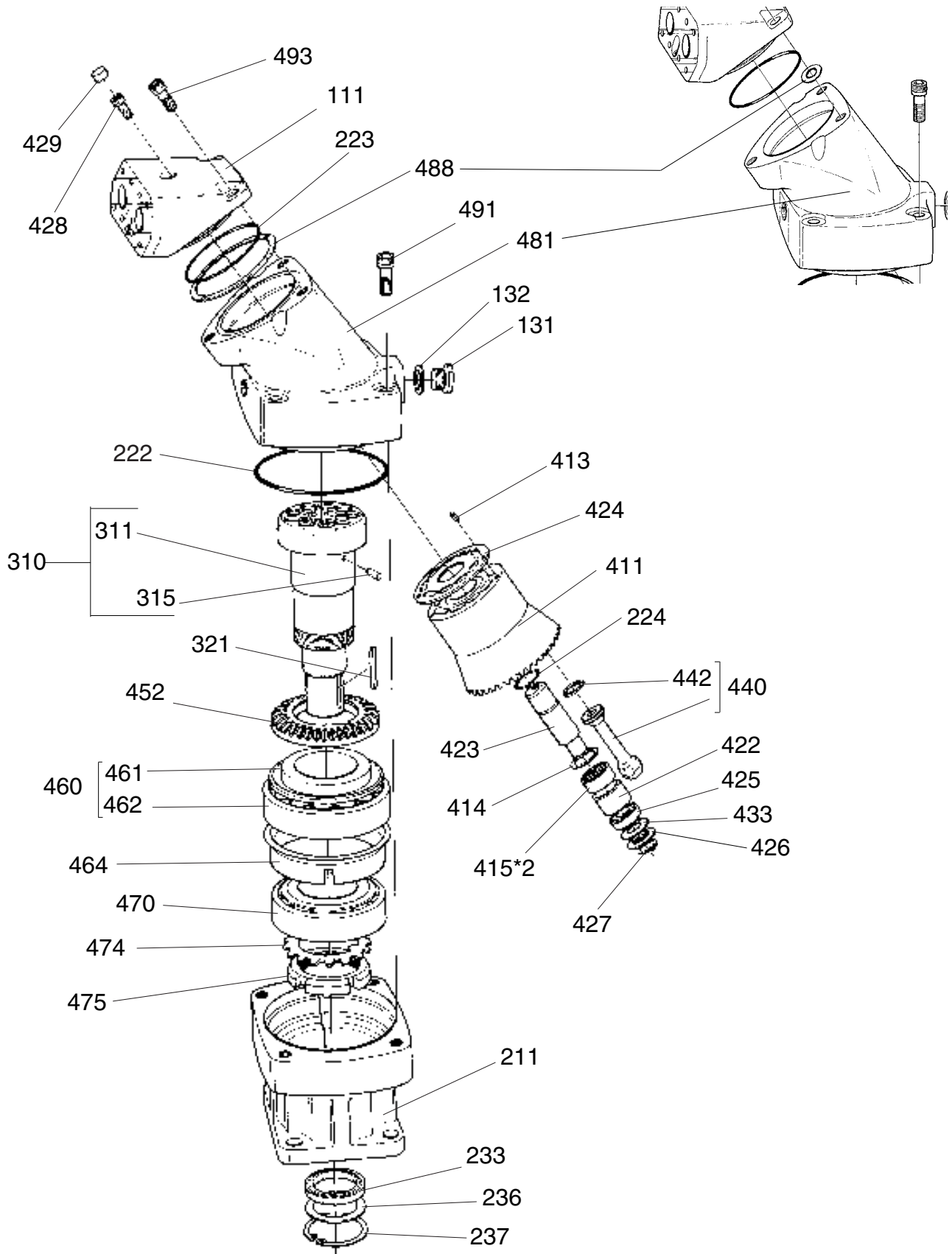
| Item | Part No | Title | Benämning | Qty | Remarks |
|----------|---------|-----------------------|----------------|-----|-------------------------|
| 110 | 3703238 | Barrel Housing Assy | Övre Hus kpl | | Type B |
| 110 | 3703298 | Barrel Housing Assy | Övre Hus kpl | | Type U |
| 121 | 3702016 | Valve Plate | Ventilskiva | 1 | Type G |
| 121 | 3706252 | Valve Plate | Ventilskiva | 1 | Type H |
| 121 | 3707161 | Valve Plate | Ventilskiva | 1 | Type J |
| 121 | 3703294 | Valve Plate | Ventilskiva | 1 | Type L |
| 121 | 72847 | Valve Plate | Ventilskiva | 1 | Type M |
| 121 | 3703239 | Valve Plate | Ventilskiva | 1 | Type Q |
| 121 | 3703295 | Valve Plate | Ventilskiva | 1 | Type R |
| 131 | 944507 | Hex. Socket Plug | Insexpropp | 1 | For B-Housing |
| 131 | 3707298 | Hex. Socket Plug | Insexpropp | 1 | For U-Housing |
| 132 | 943908 | Seal Washer | Tätbricka | 1 | For B-Housing |
| 132 | 3708288 | Seal Washer | Tätbricka | 1 | For U-Housing |
| 211 | 72835 | Bearing Housing | Undre Hus | 1 | Type C |
| 211 | 3700235 | Bearing Housing | Undre Hus | 1 | Type S |
| 211 | 3700708 | Bearing Housing | Undre Hus | 1 | Type Z |
| 237 | 914534 | Retaining Ring | Spårring | 1 | |
| 310 | 3796112 | Shaft Assy | Axel kpl | 1 | Type D Replaces 3703126 |
| 310 | 3796106 | Shaft Assy | Axel kpl | 1 | Type K Replaces 72953 |
| 310 | 3796108 | Shaft Assy | Axel kpl | 1 | Type S Replaces 3700406 |
| 310 | 3796109 | Shaft Assy | Axel kpl | 1 | Type T Replaces 3700420 |
| 315 | 3709162 | Pin | Styrtapp | 1 | |
| 311 | 3701579 | Shaft | Axel | 1 | Type Z |
| 321 | 909323 | Flat Key | Plattkil | 1 | For K |
| 321 | 118226 | Flat Key | Plattkil | 1 | For T |
| 411 | 3702043 | Cylinder Barrel | Cylindertrumma | 1 | |
| 431 | 72687 | Barrel Retaining Ring | Fåstring | 1 | |
| 440 | 3706398 | Piston Assy | Kolv kpl | 5 | |
| 442 | 3705784 | Piston Ring | Kolvring | 15 | Laminated |
| 442 | 72546 | Piston Ring | Kolvring | 5 | Spherical Not available |
| 452 | 3795528 | Ring Gear | Kuggkrans | 1 | Replaces 3700631 |
| 460 | 118026 | Tap. Roller Bearing | Kon. rullager | 1 | 31311 |
| 464 | 73386 | Spacer Ring | Distansring | 1 | |
| 470 | 118203 | Tap. Roller Bearing | Kon. rullager | 1 | 30211 |
| 474 | 907029 | Lock Washer | Låsbricka | 2 | |
| 475 | 906639 | Round Nut | Rundmutter | 1 | |
| 486 | 72808 | Guide Spacer | Styrhylsa | 1 | |
| 486 | 3797262 | Guide Spacer | Styrhylsa | 1 | New type |
| 488 | 72819 | Shim | Justerbricka | 1 | 2.25 |
| 488 | 72820 | Shim | Justerbricka | 1 | 2.375 |
| 488 | 72821 | Shim | Justerbricka | 1 | 2.50 |
| 488 | 72822 | Shim | Justerbricka | 1 | 2.625 |
| 488 | 72823 | Shim | Justerbricka | 1 | 2.75 |
| Ref. | | | | | |
| 488 | 72824 | Shim | Justerbricka | 1 | 2.875 |
| 488 | 72825 | Shim | Justerbricka | 1 | 3.00 |
| SI 95-03 | | | | | |
| 488 | 3797441 | Shim | Justerbrica | 2 | 0.4 New type |
| 488 | 3797442 | Shim | Justerbricka | 2 | 0.5 " |
| 488 | 3797443 | Shim | Justerbricka | 2 | 0.6 New type |
| 488 | 3797444 | Shim | Justerbricka | 2 | 0.7 " |

| Item | Part No | Title | Benämning | Qty | Remarks |
|------|---------|---------------------|----------------|-----|-------------------------|
| 110 | 3703199 | Barrel Housing Assy | Övre hus kpl | 1 | Type B |
| 110 | 3703227 | Barrel Housing Assy | Övre hus kpl | 1 | Type U |
| 121 | 3702033 | Valve Plate | Ventilskiva | 1 | Type G |
| 121 | 3706331 | Valve Plate | Ventilskiva | 1 | Type H |
| 121 | 3707162 | Valve Plate | Ventilskiva | 1 | Type J |
| 121 | 3703285 | Valve Plate | Ventilskiva | 1 | Type L |
| 121 | 3701893 | Valve Plate | Ventilskiva | 1 | Type M |
| 121 | 3703241 | Valve Plate | Ventilskiva | 1 | Type Q |
| 121 | 3703286 | Valve Plate | Ventilskiva | 1 | Type R |
| 131 | 944507 | Hex Socket Plug | Insexpropp | 1 | For B |
| 131 | 3707298 | Hex Socket Plug | Insexpropp | 1 | For U |
| 132 | 943908 | Seal Washer | Tätbricka | 1 | For B |
| 132 | 3708288 | Seal Washer | Tätbricka | 1 | For U |
| 211 | 72835 | Bearing Housing | Undre hus | 1 | Type C |
| 211 | 3700235 | Bearing Housing | Undre hus | 1 | Type S |
| 211 | 3700708 | Bearing Housing | Undre hus | 1 | Type Z |
| 237 | 914534 | Retaining Rlng | Spärring | 1 | |
| 310 | 3796125 | Shaft Assy | Axel kpl | 1 | Type D Replaces 3703128 |
| 310 | 3796119 | Shaft Assy | Axel kpl | 1 | Type K Replaces 3700674 |
| 310 | 3796123 | Shaft Assy | Axel kpl | 1 | Type S Replaces 3701084 |
| 310 | 3796122 | Shaft Assy | Axel kpl | 1 | Type T Replaces 3701081 |
| 310 | 3796134 | Shaft Assy | Axel kpl | 1 | Type X,Replaces 3709685 |
| 310 | 3799397 | Shaft Assy | Axel kpl | 1 | Type E |
| 310 | 3796840 | Shaft Assy | Axel kpl | 1 | Type Z Replaces 3700745 |
| 315 | 3709308 | Pin | Styrtapp | 1 | |
| 321 | 909323 | Flat Key | Plattkil | 1 | For K |
| 321 | 118226 | Flat Key | Plattkil | 1 | For T |
| 411 | 3702044 | Cylinder Barrel | Cylindertrumma | 1 | |
| 436 | 3700714 | Bearing Ring | Lagerring | 1 | |
| 438 | 3703448 | Leaf Spring | Bladfjäder | 1 | |
| 439 | 3700741 | Pivot Pin | Stödpinne | 1 | |
| 440 | 3708443 | Piston Assy | Kolv kpl | 5 | |
| 442 | 3705975 | Piston Ring | Kolvring | 15 | Laminated |
| 442 | 3700219 | Piston Ring | Kolvring | 5 | Spherical Not available |
| 452 | 3795529 | Ring Gear | Kuggkrans | 1 | Replaces 3700633 |
| 460 | 118026 | Tap Rol Bearing | Kon rullager | 1 | 31311 |
| 464 | 73386 | Spacer Rlng | Distansring | 1 | |
| 470 | 118203 | Tap Rol Bearing | Kon rullager | 1 | 30211 |
| 474 | 907029 | Lock Washer | Låsbricka | 2 | |
| 475 | 906639 | Round Nut | Rundmutter | 1 | |
| 486 | 3701002 | Guide Spacer | Styrhylsa | 1 | |
| 486 | 3797272 | Guide Spacer | Styrhylsa | 1 | New type |
| 488 | 3700772 | Shim | Justerbricka | 1 | 2.25 |
| 488 | 3700773 | Shim | Justerbricka | 1 | 2.375 |
| 488 | 3700774 | Shim | Justerbricka | 1 | 2.50 |
| 488 | 3700775 | Shim | Justerbricka | 1 | 2.625 |
| 488 | 3700776 | Shim | Justerbricka | 1 | 2.75 |
| 488 | 3700777 | Shim | Justerbricka | 1 | 2.875 |
| 488 | 3700778 | Shim | Justerbricka | 1 | 3.00 |
| 488 | 3700779 | Shim | Justerbricka | 1 | 3.125 |
| 488 | 3797451 | Shim | Justerbricka | 2 | 0.4 |
| 488 | 3797452 | Shim | Justerbricka | 2 | 0.5 |
| 488 | 3797453 | Shim | Justerbricka | 2 | 0.6 |
| 488 | 3797454 | Shim | Justerbricka | 2 | 0.7 |
| 491 | 969224 | Hex Socket Screw | Insexskruv | 2 | |
| 492 | 969281 | Hex Socket Screw | Insexskruv | 2 | |

| Item | Part No | Title | Benämning | Qty | Remarks |
|------|---------|-----------------------|----------------|-----|-------------------------|
| 110 | 3703534 | Barrel Housing Assy | Övre hus kpl | 1 | Type B |
| 110 | 3703179 | Barrel Housing Assy | Övre hus kpl | 1 | Type F |
| 121 | 3702034 | Valve Plate | Ventilskiva | 1 | Type G |
| 121 | 3706332 | Valve Plate | Ventilskiva | 1 | Type H |
| 121 | 3707163 | Valve Plate | Ventilskiva | 1 | Type J |
| 121 | 3703536 | Valve Plate | Ventilskiva | 1 | Type L |
| 121 | 72848 | Valve Plate | Ventilskiva | 1 | Type M |
| 121 | 3703535 | Valve Plate | Ventilskiva | 1 | Type Q |
| 121 | 3703537 | Valve Plate | Ventilskiva | 1 | Type R |
| 131 | 944508 | Hex Socket Plug | Insexpropp | 1 | |
| 132 | 944252 | Seal Washer | Tätbricka | 1 | |
| 211 | 72836 | Bearing Housing | Undre hus | 1 | Type C |
| 211 | 3700240 | Bearing Housing | Undre hus | 1 | Type S |
| 237 | 914537 | Retaining Ring | Spårring | 1 | |
| 310 | 3796141 | Shaft Assy | Axel kpl | 1 | Type D Replaces 3702821 |
| 310 | 3796135 | Shaft Assy | Axel kpl | 1 | Type K Replaces 72954 |
| 310 | 3796136 | Shaft Assy | Axel kpl | 1 | Type S Replaces 3700376 |
| 310 | 3796137 | Shaft Assy | Axel kpl | 1 | Type T Replaces 3700424 |
| 315 | 3709308 | Pin | Styrtapp | 1 | |
| 321 | 909358 | Flat Key | Plattkil | 1 | For K |
| 321 | 118227 | Flat Key | Plattkil | 1 | For T |
| 411 | 3702045 | Cylinder Barrel | Cylindertrumma | 1 | |
| 431 | 72688 | Barrel Retaining Ring | Fåstring | 1 | |
| 440 | 3706399 | Piston Assy | Kolv kpl | 5 | |
| 442 | 3705764 | Piston Ring | Kolvring | 15 | Laminated |
| 442 | 72578 | Piston Ring | Kolvring | 5 | Spherical Not available |
| 452 | 3795530 | Ring Gear | Kuggkrans | 1 | Replaces 3700935 |
| 460 | 118027 | Tap Rol Bearing | Kon rullager | 1 | 31313 |
| 464 | 73388 | Spacer Ring | Distansring | 1 | |
| 470 | 118204 | Tap Rol Bearing | Kon rullager | 1 | 30213 |
| 474 | 907031 | Lock Washer | Låsbricka | 2 | |
| 475 | 906641 | Round Nut | Rundmutter | 1 | |
| 486 | 72809 | Guide Spacer | Styrhylsa | 1 | |
| 488 | 72827 | Shim | Justerbricka | 1 | 2.25 |
| 488 | 72828 | Shim | Justerbricka | 1 | 2.375 |
| 488 | 72829 | Shim | Justerbricka | 1 | 2.5 |
| 488 | 72830 | Shim | Justerbricka | 1 | 2.625 |
| 488 | 72831 | Shim | Justerbricka | 1 | 2.75 |
| 488 | 72832 | Shim | Justerbricka | 1 | 2.875 |
| 488 | 72833 | Shim | Justerbricka | 1 | 3.0 |
| 491 | 959283 | Hex Socket Screw | Insexskruv | 4 | |

| Pos | Part No | Title | Benämning | Qty | Remarks |
|-----|---------|-----------------------|----------------|-----|-------------------------|
| 110 | 3704018 | Barrel Housing Assy | Övre hus kpl | 1 | Type B |
| 110 | 3703169 | Barrel Housing Assy | Övre hus kpl | 1 | Type F |
| 121 | 3702382 | Valve Plate | Ventilskiva | 1 | Type G |
| 121 | 3706283 | Valve Plate | Ventilskiva | 1 | Type H |
| 121 | 3707164 | Valve Plate | Ventilskiva | 1 | Type J |
| 121 | 3703680 | Valve Plate | Ventilskiva | 1 | Type L |
| 121 | 3708069 | Valve Plate | Ventilskiva | 1 | Type L+H |
| 121 | 3700210 | Valve Plate | Ventilskiva | 1 | Type M |
| 121 | 3703679 | Valve Plate | Ventilskiva | 1 | Type Q |
| 121 | 3703681 | Valve Plate | Ventilskiva | 1 | Type R |
| 121 | 3708068 | Valve Plate | Ventilskiva | 1 | Type R+H |
| 131 | 944508 | Hex Socket Plug | Insexpropp | 1 | |
| 132 | 944252 | Seal Washer | Tätbricka | 1 | |
| 211 | 3700204 | Bearing Housing | Undre hus | 1 | Type C |
| 211 | 3701076 | Bearing Housing | Undre hus | 1 | Type S |
| 237 | 914537 | Retaining Ring | Spärring | 1 | |
| 310 | 3796150 | Shaft Assy | Axel kpl | 1 | Type D Replaces 3702993 |
| 310 | 3796145 | Shaft Assy | Axel kpl | 1 | Type K Replaces 3700208 |
| 310 | 3796146 | Shaft Assy | Axel kpl | 1 | Type S Replaces 3701110 |
| 310 | 3796147 | Shaft Assy | Axel kpl | 1 | Type T Replaces 3701113 |
| 315 | 3794556 | Pin | Styrtapp | 1 | |
| 321 | 909358 | Flat Key | Plattkil | 1 | For K |
| 321 | 118227 | Flat Key | Plattkil | 1 | For T |
| 411 | 3702960 | Cylinder Barrel | Cylindertrumma | 1 | |
| 415 | 184129 | Needle bearing | Nållager | 2 | |
| 431 | 3700220 | Barrel Retaining Ring | Fästring | 1 | |
| 440 | 3708659 | Piston Assy | Kolv kpl | 7 | |
| 442 | 3705975 | Piston Ring | Kolvring | 21 | Laminated |
| 442 | 3700219 | Piston Ring | Kolvring | 7 | Spherical Not available |
| 452 | 3700212 | Ring Gear | Kuggkrans | 1 | |
| 460 | 118160 | Tap Rol Bearing | Kon rullager | 1 | 31314 |
| 464 | 3700218 | Spacer Ring | Distansring | 1 | |
| 470 | 118161 | Tap Rol Bearing | Kon rullager | 1 | 32213 |
| 474 | 907031 | Lock Washer | Låsbricka | 2 | |
| 475 | 906641 | Round Nut | Rundmutter | 1 | |
| 486 | 3700206 | Guide Spacer | Styrhylsa | 1 | |
| 488 | 3700224 | Shim | Justerbricka | 1 | 2.25 |
| 488 | 3700225 | Shim | Justerbricka | 1 | 2.375 |
| 488 | 3700226 | Shim | Justerbricka | 1 | 2.50 |
| 488 | 3700227 | Shim | Justerbricka | 1 | 2.625 |
| 488 | 3700228 | Shim | Justerbricka | 1 | 2.75 |
| 488 | 3700229 | Shim | Justerbricka | 1 | 2.875 |
| 488 | 3700230 | Shim | Justerbricka | 1 | 3.00 |
| 491 | 959281 | Hex Socket Screw | Insexskruv | 4 | |

| Pos | Part No | Title | Benämning | Qty | Remarks |
|-----|---------|-----------------------|----------------|-----|----------------------------|
| 110 | 3794032 | Barrel Housing Assy | Övre hus kpl | 1 | Type B |
| 110 | 3794030 | Barrel Housing Assy | Övre hus kpl | 1 | Type F |
| 121 | 3702070 | Valve Plate | Ventilskiva | 1 | Type G |
| 121 | 3706310 | Valve Plate | Ventilskiva | 1 | Type H |
| 121 | 3707165 | Valve Plate | Ventilskiva | 1 | Type J |
| 121 | 3702800 | Valve Plate | Ventilskiva | 1 | Type L |
| 121 | 3708062 | Valve Plate | Ventilskiva | 1 | Type L+H |
| 121 | 72874 | Valve Plate | Ventilskiva | 1 | Type M |
| 121 | 3703467 | Valve Plate | Ventilskiva | 1 | Type Q |
| 121 | 3702796 | Valve Plate | Ventilskiva | 1 | Type R |
| 121 | 3708061 | Valve Plate | Ventilskiva | 1 | Type R+H |
| 131 | 944508 | Hex Socket Plug | Insexpropp | 1 | |
| 132 | 944252 | Seal Washer | Tätbricka | 1 | |
| 211 | 3794025 | Bearing Housing | Undre hus | 1 | Type C |
| 211 | 3794026 | Bearing Housing | Undre hus | 1 | Type S |
| 237 | 914540 | Retaining Ring | Spårring | 1 | |
| 310 | 3796159 | Shaft Assy | Axel kpl | 1 | Type D Repl 3703528 |
| 310 | 3796154 | Shaft Assy | Axel kpl | 1 | Type K Repl 3700808 |
| 310 | 3796157 | Shaft Assy | Axel kpl | 1 | Type S Repl 3702113 |
| 310 | 3796158 | Shaft Assy | Axel kpl | 1 | Type T Repl 3702118 |
| 315 | 3794556 | Pin | Styrtapp | 1 | |
| 321 | 909358 | Flat Key | Plattkil | 1 | For K |
| 321 | 118227 | Flat Key | Plattkil | 1 | For T |
| 411 | 3702961 | Cylinder Barrel | Cylindertrumma | 1 | Not available see SI 09/04 |
| 415 | 3702356 | Needle bearing | Nållager | 2 | |
| 431 | 72890 | Barrel Retaining Ring | Fästring | 1 | |
| 440 | 3708660 | Piston Assy | Kolv kpl | 7 | |
| 442 | 3705764 | Piston Ring | Kolvring | 21 | Not available see SI 08/02 |
| 452 | 3700810 | Ring Gear | Kuggkrans | 1 | Not available see SI 09/04 |
| 460 | 3799030 | Tap Rol Bearing | Kon rullager | 1 | 3799030 replaces 118028 |
| 460 | 3799030 | Tap Rol Bearing | Kon rullager | 1 | Only with 3797265, pos 486 |
| 464 | 73390 | Spacer Ring | Distansring | 1 | |
| 470 | 118205 | Tap Rol Bearing | Kon rullager | 1 | |
| 474 | 907034 | Lock Washer | Låsbricka | 2 | |
| 475 | 906644 | Round Nut | Rundmutter | 1 | |
| 486 | 72878 | Guide Spacer | Styrhylsa | 1 | Not available |
| 486 | 3797265 | Guide Spacer | Styrhylsa | 1 | New type |
| 488 | 72880 | Shim | Justerbricka | 1 | 2.25 |
| 488 | 72881 | Shim | Justerbricka | 1 | 2.375 |
| 488 | 72882 | Shim | Justerbricka | 1 | 2.50 |
| 03 | | | | | Ref. SI 95- |
| 488 | 72883 | Shim | Justerbricka | 1 | 2.625 |
| 488 | 72884 | Shim | Justerbricka | 1 | 2.75 |
| 488 | 72885 | Shim | Justerbricka | 1 | 2.875 |
| 488 | 72886 | Shim | Justerbricka | 1 | 3.00 |
| 488 | 3797481 | Shim | Justerbricka | 2 | 0.4 New type |
| 488 | 3797482 | Shim | Justerbricka | 2 | 0.5 " " |
| 488 | 3797483 | Shim | Justerbricka | 2 | 0.6 " " |
| 488 | 3797484 | Shim | Justerbricka | 2 | 0.7 " " |
| 491 | 959284 | Hex Socket Screw | Insexskruv | 4 | M16 |



| Item | Part No | Title | Benämning | Qty | Remarks |
|------|---------|------------------|-----------------|-----|--------------------------|
| 111 | 3795856 | End Cap | Anslutningstopp | 1 | Type QF Replaces 3706152 |
| 111 | 3706518 | End Cap | Anslutningstopp | 1 | Type LF |
| 111 | 3706846 | End Cap | Anslutningstopp | 1 | Type RF |
| 131 | 944508 | Hex Socket Plug | Insexpropp | 1 | |
| 132 | 944252 | Seal Washer | Tätbricka | 1 | |
| 211 | 3704873 | Bearing Housing | Undre hus | 1 | Type S |
| 237 | 914540 | Retaining Ring | Spärring | 1 | |
| 310 | 3796162 | Shaft Assy | Axel kpl | 1 | Type K Replaces 3707198 |
| 310 | 3796163 | Shaft Assy | Axel kpl | 1 | Type S Replaces 3707199 |
| 310 | 3796164 | Shaft Assy | Axel kpl | 1 | Type F Replaces 3707200 |
| 311 | 3799442 | Shaft Assy | Axel kpl | 1 | Type D Replaces 3791807 |
| 315 | 3794556 | Pin | Styrtapp | 1 | |
| 321 | 909358 | Flat Key | Plattkil | 1 | For K |
| 411 | 3706154 | Cylinder Barrel | Cylindertrumma | 1 | |
| 413 | 3791530 | Spring Pin | Rörpinne | 3 | |
| 414 | 3704909 | Retaining Ring | Spärring | 1 | |
| 415 | 3704911 | Needle Bearing | Nållager | 2 | |
| 422 | 3704887 | Spacer Sleeve | Distanshylsa | 1 | |
| 423 | 3704867 | Barrel Spindle | Centrumaxel | 1 | |
| 424 | 3708465 | Sliding Plate | Glidplatta | 1 | Replaces 3706153 |
| 425 | 3704912 | Tap Rol Bearing | Kon rullager | 1 | 32004X |
| 426 | 3704888 | Spacer Washer | Distansbricka | 1 | |
| 427 | 914454 | Retaining Ring | Spärring | 1 | |
| 428 | 3705177 | Hex Socket Screw | Insexskruv | 1 | |
| 429 | 946779 | Cap Plug | Hattplugg | 1 | |
| 433 | 3704913 | Disc Spring | Tallriksfjäder | 1 | |
| 440 | 3707197 | Piston Assy | Kolv kpl | 9 | |
| 442 | 72578 | Piston Ring | Kolvring | 9 | Spherical Not available |
| 442 | 3705764 | Piston Ring | Kolvring | 27 | Laminated |
| 452 | 3704866 | Ring Gear | Kuggkrans | 1 | |
| 460 | 3793435 | Tap Rol Bearing | Kon rullager | 1 | |
| 464 | 3704884 | Spacer Ring | Distansring | 1 | |
| 470 | 3704905 | Tap Rol Bearing | Kon rullager | 1 | 33216 |
| 474 | 907034 | Lock Washer | Låsbricka | 2 | |
| 475 | 906644 | Round Nut | Rundmutter | 1 | |
| 481 | 3704864 | Barrel Housing | Trumhus | 1 | Not available |
| 488 | 3704942 | Shim | Justerbricka | 1 | 3.125 |
| 488 | 3704943 | Shim | Justerbricka | 1 | 3.25 |
| 488 | 3704944 | Shim | Justerbricka | 1 | 2.50 |
| 488 | 3704945 | Shim | Justerbricka | 1 | 2.625 |
| 488 | 3704946 | Shim | Justerbricka | 1 | 2.75 |
| 488 | 3704947 | Shim | Justerbricka | 1 | 2.875 |
| 488 | 3704948 | Shim | Justerbricka | 1 | 3.00 |
| 491 | 959284 | Hex Socket Screw | Insexskruv | 4 | |
| 493 | 3705361 | Hex Socket Screw | Insexskruv | 3 | 12.9 |

| Item | Part No | Title | Benämning | Qty | Remarks |
|------|---------|------------------|-----------------|-----|----------------------------|
| 111 | 3795856 | End Cap | Anslutningstopp | 1 | Type QF Replaces 3706152 |
| 111 | 3706518 | End Cap | Anslutningstopp | 1 | Type LF |
| 111 | 3706846 | End Cap | Anslutningstopp | 1 | Type RF |
| 131 | 944508 | Hex Socket Plug | Insexpropp | 1 | |
| 132 | 944252 | Seal Washer | Tätbricka | 1 | |
| 211 | 3704873 | Bearing Housing | Undre hus | 1 | Type S |
| 237 | 914540 | Retaining Ring | Spårring | 1 | |
| 310 | 3796162 | Shaft Assy | Axel kpl | 1 | Type K Replaces 3707198 |
| 310 | 3796163 | Shaft Assy | Axel kpl | 1 | Type S Replaces 3707199 |
| 310 | 3796164 | Shaft Assy | Axel kpl | 1 | Type F Replaces 3707200 |
| 311 | 3799442 | Shaft Assy | Axel kpl | 1 | Type D Replaces 3791807 |
| 315 | 3794556 | Pin | Styrtapp | 1 | |
| 321 | 909358 | Flat Key | Plattkil | 1 | For K |
| 411 | 3706154 | Cylinder Barrel | Cylindertrumma | 1 | |
| 413 | 3791530 | Spring Pin | Rörpinne | 3 | |
| 414 | 3704909 | Retaining Ring | Spårring | 1 | |
| 415 | 3704911 | Needle Bearing | Nållager | 2 | |
| 422 | 3704887 | Spacer Sleeve | Distanshylsa | 1 | |
| 423 | 3704867 | Barrel Spindle | Centrumaxel | 1 | |
| 424 | 3708465 | Sliding Plate | Glidplatta | 1 | Replaces 3706153 |
| 425 | 3704912 | Tap Rol Bearing | Kon rullager | 1 | 32004X |
| 426 | 3704888 | Spacer Washer | Distansbricka | 1 | |
| 427 | 914454 | Retaining Ring | Spårring | 1 | |
| 428 | 3705177 | Hex Socket Screw | Insexskruv | 1 | |
| 429 | 946779 | Cap Plug | Hattplugg | 1 | |
| 433 | 3704913 | Disc Spring | Tallriksfjäder | 1 | |
| 440 | 3707197 | Piston Assy | Kolv kpl | 9 | |
| 442 | 72578 | Piston Ring | Kolvring | 9 | Spherical Not available |
| 442 | 3705764 | Piston Ring | Kolvring | 27 | Not available see SI 08/02 |
| 452 | 3704866 | Ring Gear | Kuggkrans | 1 | |
| 460 | 3793435 | Tap Rol Bearing | Kon rullager | 1 | |
| 464 | 3704884 | Spacer Ring | Distansring | 1 | |
| 470 | 3704905 | Tap Rol Bearing | Kon rullager | 1 | 33216 |
| 474 | 907034 | Lock Washer | Låsbricka | 2 | |
| 475 | 906644 | Round Nut | Rundmutter | 1 | |
| 481 | 3794776 | Barrel Housing | Trumhus | 1 | |
| 488 | 3794781 | Shim | Justerbricka | 2 | 0,2 |
| 488 | 3794782 | Shim | Justerbricka | 2 | 0,4 |
| 488 | 3794783 | Shim | Justerbricka | 2 | 0,6 |
| 488 | 3794784 | Shim | Justerbricka | 2 | 0,8 |
| 488 | 3794785 | Shim | Justerbricka | 2 | 1,0 |
| 491 | 959284 | Hex Socket Screw | Insexskruv | 4 | |
| 493 | 3705361 | Hex Socket Screw | Insexskruv | 3 | 12.9 |

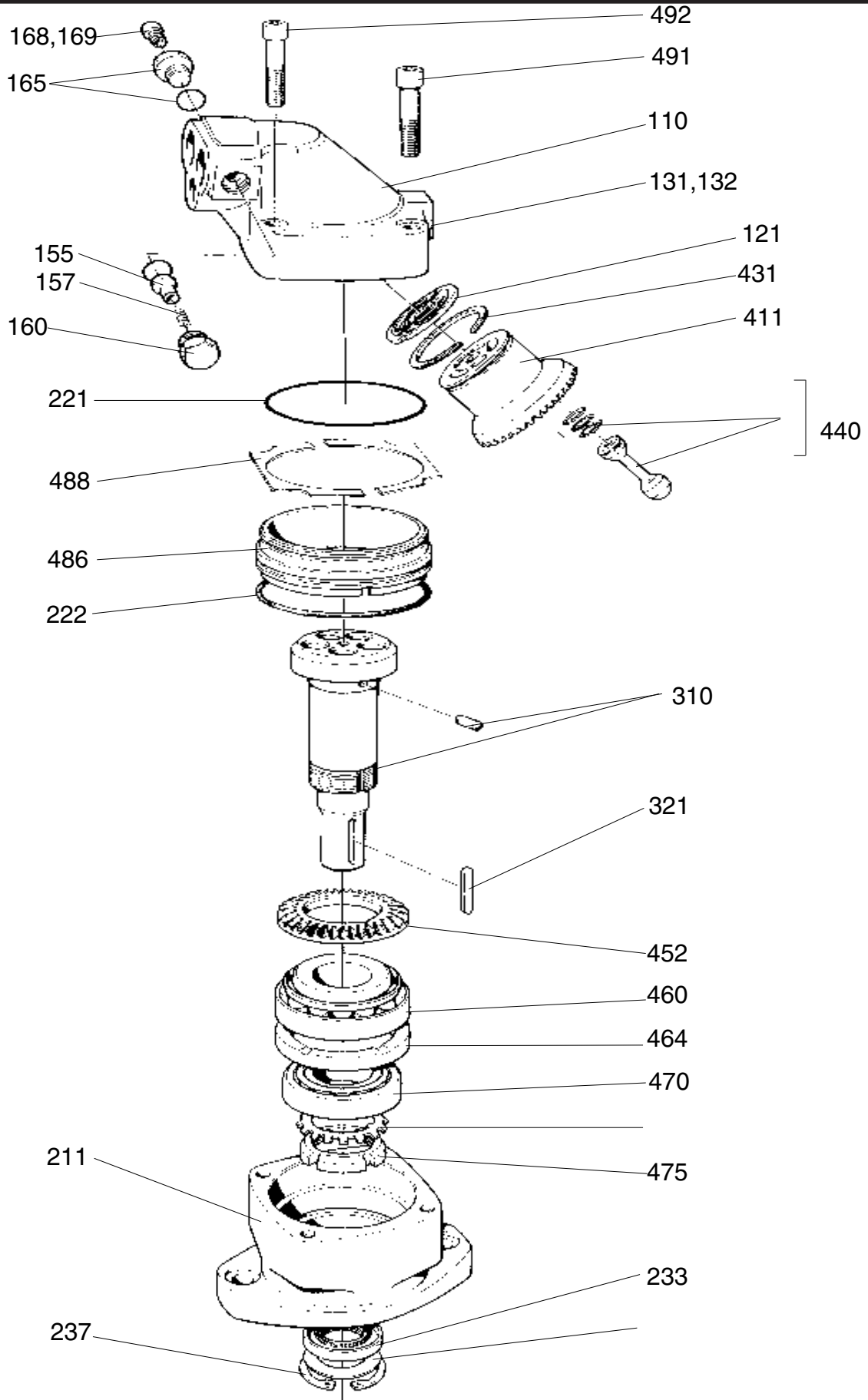
Note! See F12-250

| To fit | Part No | Title | Remarks |
|--------------------|---------|-----------------|-----------------------------|
| F11-005 type M | 3797031 | Spare Parts Kit | |
| F11-005 type N | 3797109 | Sealing Kit | |
| F11-005 type V | 3797118 | Sealing Kit | Repl. type H, E |
| F11-006 type V | 3783269 | Sealing Kit | |
| F11-010 type M | 3797032 | Spare Parts Kit | |
| F11-010 type N | 3797111 | Sealing Kit | |
| F11-010 type V | 3783269 | Sealing Kit | Repl. type E |
| F11-010 type S | 3783383 | Sealing Kit | Repl. type H (Sawmotor) |
| F11-010 type S | 3780159 | Spare Parts Kit | Sawmotor |
| F11-012 type V | 3783269 | Sealing Kit | |
| F11-014 type V | 3785038 | Sealing Kit | |
| F11-019 type M | 3797033 | Spare Parts Kit | |
| F11-019 type N | 3797112 | Sealing Kit | |
| F11-019 type V | 3783270 | Sealing Kit | Repl. type E |
| F11-019 type S | 3783384 | Sealing Kit | Repl. type H (Sawmotor) |
| F11-019 type S | 3780160 | Spare Parts Kit | Sawmotor |
| F11-028 type M | 3797034 | Spare Parts Kit | |
| F11-028 type N | 3797113 | Sealing Kit | |
| F11-028 type H | 3797121 | Sealing Kit | |
| F11-028 type E | 3797130 | Sealing Kit | |
| F11-039 type M | 3797037 | Spare Parts Kit | |
| F11-039/058 type N | 3797114 | Sealing Kit | |
| F11-039/058 type H | 3797122 | Sealing Kit | |
| F11-039 type E | 3797131 | Sealing Kit | |
| F11-058 type M | 3797038 | Spare Parts Kit | |
| F11-058 type E | 3797132 | Sealing Kit | |
| F11-078 type M | 3797039 | Spare Parts Kit | |
| F11-078 type N | 3797115 | Sealing Kit | |
| F11-078 type H | 3797123 | Sealing Kit | |
| F11-078 type E | 3797133 | Sealing Kit | |
| F11-110 type M | 3797040 | Spare Parts Kit | |
| F11-110 type N | 3797116 | Sealing Kit | |
| F11-110 type H | 3797124 | Sealing Kit | |
| F11-110 type E | 3797134 | Sealing Kit | |
| F11-150 type M | 3797041 | Spare Parts Kit | Not available, see SI 09/04 |
| F11-150 type N | 3797117 | Sealing Kit | |
| F11-150 type V | 3797125 | Sealing Kit | Repl. type H, E |
| F11-250 type V | 3797126 | Sealing Kit | Repl. type H |

The Spare Parts Kits comprise items 121, 221, 222, 233, 236, 410/411, 431 & 440.

The Sealing Kits comprise generally items 221, 222, 233 & 236.

If more parts are required it is normally not profitable to carry out a repair.



From serial no. 1995431395

| Item | Part No | Title | Benämning | Qty | Remarks |
|------|---------|-----------------------|------------------|-----|---------|
| 110 | 3797286 | Barrel Housing Assy | Övre hus kpl | 1 | |
| 121 | 3795088 | Valve Plate | Ventilskiva | 1 | Type S |
| 131 | 944506 | Hex Socket Plug | Insexpropp | 1 | |
| 132 | 944496 | Seal Washer | Tätbricka | 1 | |
| 155 | 3797289 | Chec Valve Cone | Backventilkägla | 1 | |
| 157 | 3797290 | Compression spring | Tryckfjäder | 1 | |
| 160 | 3797292 | Hex Socket Plug Assy | Sexkantpropp kpl | 1 | |
| 165 | 3797291 | Hex Socket Plug Assy | Sexkantpropp kpl | 1 | |
| 168 | 944505 | Hex Socket Plug | Insexpropp | 1 | |
| 169 | 943907 | Seal Washer | Tätbricka | 1 | |
| 211 | 3700905 | Bearing Housing | Undre hus | 1 | |
| 237 | 914519 | Retaining Ring | Spårring | 1 | |
| 310 | 3796080 | Shaft Assy | Axel kpl | 1 | Type K |
| 321 | 3796439 | Flat Key | Plattkil | 1 | For K |
| 411 | 3702958 | Cylinder Barrel | Cylindertrumma | 1 | |
| 431 | 3700973 | Barrel Retaining Ring | Fästring | 1 | |
| 440 | 3708657 | Piston Assy | Kolv kpl | 5 | |
| 452 | 3795832 | Ring Gear | Kuggkrans | 1 | |
| 460 | 3798537 | Tap Rol Bearing | Kon rullager | 1 | |
| 464 | 3700954 | Spacer Ring | Distansring | 1 | |
| 470 | 118201 | Tap Rol Bearing | Kon rullager | 1 | |
| 474 | 907024 | Lock Washer | Låsbricka | 1 | |
| 475 | 906634 | Round Nut | Rundmutter | 1 | |
| 486 | 3797259 | Guide Spacer | Styrhylsa | 1 | |
| 488 | 3797411 | Shim | Justerbricka | 2 | 0.4 |
| 488 | 3797412 | Shim | Justerbricka | 2 | 0.5 |
| 488 | 3797413 | Shim | Justerbricka | 2 | 0.6 |
| 488 | 3797414 | Shim | Justerbricka | 2 | 0.7 |
| 488 | 3797415 | Shim | Justerbricka | 2 | 0.8 |
| 491 | 959241 | Hex Socket Screw | Insexskruv | 2 | |
| 492 | 959249 | Hex Socket Screw | Insexskruv | 2 | |

Kits F11-010

| Part No | Title | Benämning | Remarks |
|---------|-----------------|----------------|--------------|
| 3783383 | Seal Kit | Tätsats | For Sawmotor |
| 3780159 | Spare Parts Kit | Reservdelssats | For Sawmotor |

The seal kit comprise items 221, 222, 233 and 236.

The spare parts kit comprise items 121, 221, 222, 233, 236, 411, 431 and 440.

From serial no. 1995431395

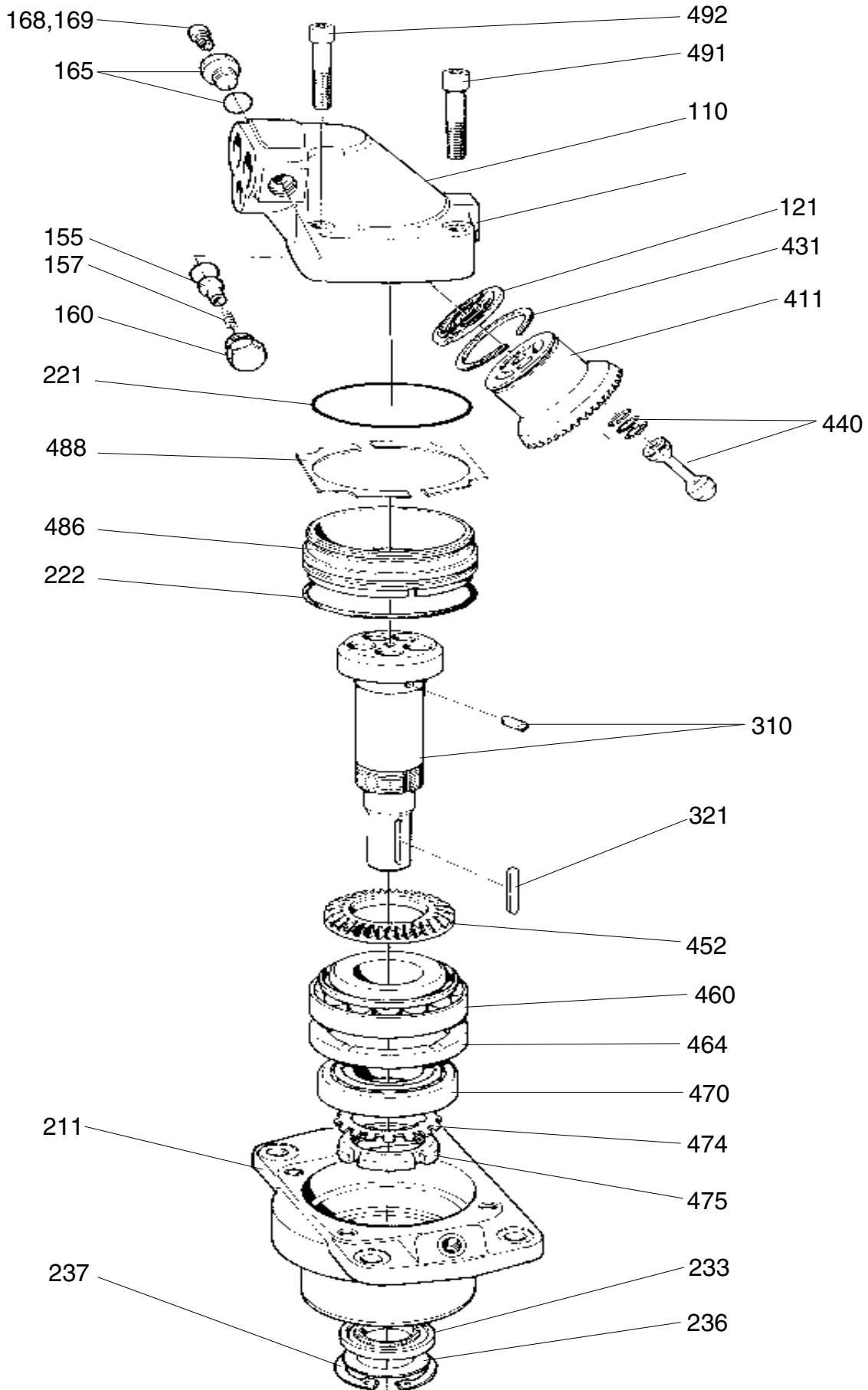
| Item | Part No | Title | Benämning | Qty | Remarks |
|------|---------|-----------------------|------------------|-----|---------|
| 110 | 3780296 | Barrel Housing Assy | Övre hus kpl | 1 | |
| 121 | 3797880 | Valve Plate | Ventilskiva | 1 | Type S |
| 131 | 944506 | Hex Socket Plug | Insexpropp | 1 | |
| 132 | 944496 | Seal Washer | Tätbricka | 1 | |
| 155 | 3797289 | Chec Valve Cone | Backventilkägla | 1 | |
| 157 | 3797290 | Compression spring | Tryckfjäder | 1 | |
| 160 | 3797292 | Hex Socket Plug Assy | Sexkantpropp kpl | 1 | |
| 165 | 3797291 | Hex Socket Plug Assy | Sexkantpropp kpl | 1 | |
| 168 | 944505 | Hex Socket Plug | Insexpropp | 1 | |
| 169 | 943907 | Seal Washer | Tätbricka | 1 | |
| 211 | 72834 | Bearing Housing | Undre hus | 1 | |
| 237 | 914529 | Retaining Ring | Spårring | 1 | |
| 310 | 3796087 | Shaft Assy | Axel kpl | 1 | Type K |
| 321 | 909305 | Flat Key | Plattkil | 1 | For K |
| 411 | 3702959 | Cylinder Barrel | Cylindertrumma | 1 | |
| 431 | 72686 | Barrel Retaining Ring | Fästring | 1 | |
| 440 | 3708658 | Piston Assy | Kolv kpl | 5 | |
| 452 | 3795833 | Ring Gear | Kuggkrans | 1 | |
| 460 | 3797156 | Tap Rol Bearing | Kon rullager | 1 | |
| 464 | 73384 | Spacer Ring | Distansring | 1 | |
| 470 | 118202 | Tap Rol Bearing | Kon rullager | 1 | |
| 474 | 907026 | Lock Washer | Låsbricka | 1 | |
| 475 | 906636 | Round Nut | Rundmutter | 1 | |
| 486 | 3797260 | Guide Spacer | Styrhylsa | 1 | |
| 488 | 3797421 | Shim | Justerbricka | 2 | 0.4 |
| 488 | 3797422 | Shim | Justerbricka | 2 | 0.5 |
| 488 | 3797423 | Shim | Justerbricka | 2 | 0.6 |
| 488 | 3797424 | Shim | Justerbricka | 2 | 0.7 |
| 488 | 3797425 | Shim | Justerbricka | 2 | 0.8 |
| 491 | 959243 | Hex Socket Screw | Insexskruv | 4 | |

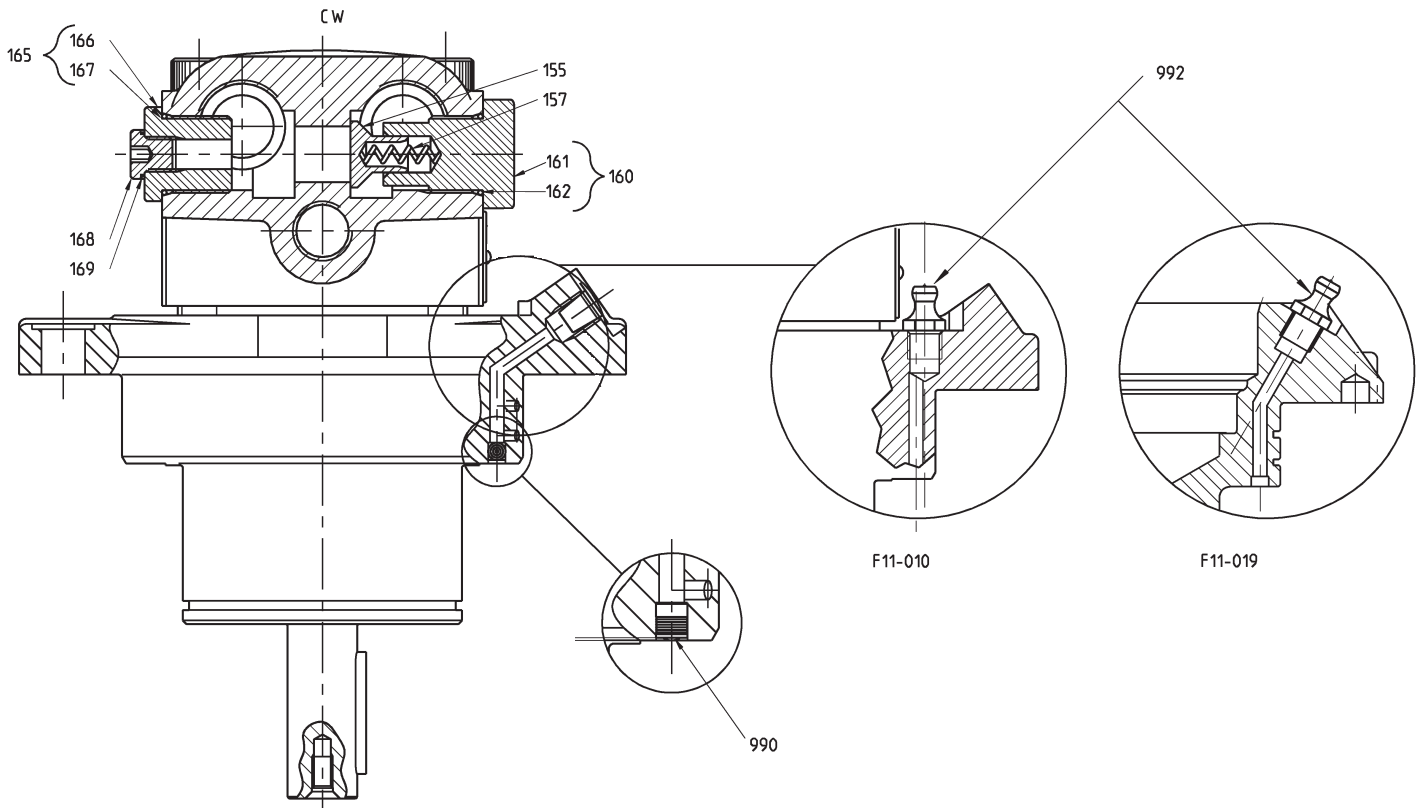
Kits F11-019

| Part No | Title | Benämning | Remarks |
|---------|-----------------|----------------|--------------|
| 3783384 | Seal Kit | Tätsats | For Sawmotor |
| 3780160 | Spare Parts Kit | Reservdelssats | For Sawmotor |

The seal kit comprise items 221, 222, 233 and 236.

The spare parts kit comprise items 121, 221, 222, 233, 236, 411, 431 and 440.





From serial no. 1995271806

| Item | Part No | Title | Benämning | Qty | Remarks |
|------|---------|-----------------------|------------------|-----|---------|
| 110 | 3797286 | Barrel Housing Assy | Övre hus kpl | 1 | |
| 121 | 3795088 | Valve Plate | Ventilskiva | 1 | Type S |
| 131 | 944506 | Hex Socket Plug | Insexpropp | 1 | |
| 132 | 944496 | Seal Washer | Tätbricka | 1 | |
| 155 | 3797289 | Chec Valve Cone | Backventilkägla | 1 | |
| 157 | 3797290 | Compression spring | Tryckfjäder | 1 | |
| 160 | 3797292 | Hex Socket Plug Assy | Sexkantpropp kpl | 1 | |
| 165 | 3797291 | Hex Socket Plug Assy | Sexkantpropp kpl | 1 | |
| 168 | 944505 | Hex Socket Plug | Insexpropp | 1 | |
| 169 | 943907 | Seal Washer | Tätbricka | 1 | |
| 211 | 3782023 | Bearing Housing | Undre hus | 1 | |
| 237 | 914519 | Retaining Ring | Spärring | 1 | |
| 310 | 3796080 | Shaft Assy | Axel kpl | 1 | Type K |
| 321 | 3796439 | Flat Key | Plattkil | 1 | For K |
| 411 | 3702958 | Cylinder Barrel | Cylindertrumma | 1 | |
| 431 | 3700973 | Barrel Retaining Ring | Fästring | 1 | |
| 440 | 3708657 | Piston Assy | Kolv kpl | 5 | |
| 452 | 3795832 | Ring Gear | Kuggkrans | 1 | |
| 460 | 3798537 | Tap Rol Bearing | Kon rullager | 1 | |
| 464 | 3703853 | Spacer Ring | Distansring | 1 | |
| 470 | 118201 | Tap Rol Bearing | Kon rullager | 1 | |
| 474 | 907024 | Lock Washer | Låsbricka | 1 | |
| 475 | 906634 | Round Nut | Rundmutter | 1 | |
| 486 | 3797259 | Guide Spacer | Styrhylsa | 1 | |
| 488 | 3797411 | Shim | Justerbricka | 2 | 0.4 |
| 488 | 3797412 | Shim | Justerbricka | 2 | 0.5 |
| 488 | 3797413 | Shim | Justerbricka | 2 | 0.6 |
| 488 | 3797414 | Shim | Justerbricka | 2 | 0.7 |
| 488 | 3797415 | Shim | Justerbricka | 2 | 0.8 |
| 491 | 959241 | Hex Socket Screw | Insexskruv | 2 | |
| 492 | 959249 | Hex Socket Screw | Insexskruv | 2 | |
| 990 | 118800 | Expanding Plug | Expanderplugg | 2 | |
| 992 | 3782149 | Grease Fitting | Smörjnippel | 1 | |

Kits F11-010

| Part No | Title | Benämning | Remarks |
|---------|-----------------|----------------|--------------|
| 3783383 | Seal Kit | Tätsats | For Sawmotor |
| 3780159 | Spare Parts Kit | Reservdelssats | For Sawmotor |

The seal kit comprise items 221, 222, 233 and 236.

The spare parts kit comprise items 121, 221, 222, 233, 236, 411, 431 and 440.

| Item | Part No | Title | Benämning | Qty | Remarks |
|------|---------|-----------------------|--------------------|-----|---|
| 60 | 3799731 | Hexagon Plug M12 | Sexkantpropp M12 | 1 | For 3782698, 3787942 |
| 110 | 3700296 | Barrel Housing Assy | Övre hus kpl | 1 | For 3781989, 3781991, 3787936, 3787940, 3787941 |
| 110 | 3781821 | Barrel Housing Assy | Övre hus kpl | 1 | For 3782187, 3782698, 3787942 |
| 121 | 3797880 | Valve Plate | Ventilskiva | 1 | Type S |
| 131 | 944506 | Hex Socket Plug | Insexpropp | 1 | |
| 132 | 944496 | Seal Washer | Tätbricka | 1 | |
| 155 | 3797289 | Chec Valve Cone | Backventilkägla | 1 | |
| 157 | 3797290 | Compression spring | Tryckfjäder | 1 | |
| 160 | 3797292 | Hex Socket Plug Assy | Sexkantpropp kpl | 1 | |
| 165 | 3797291 | Hex Socket Plug Assy | Sexkantpropp kpl | 1 | |
| 168 | 944505 | Hex Socket Plug | Insexpropp | 1 | |
| 169 | 943907 | Seal Washer | Tätbricka | 1 | |
| 211 | 3782024 | Bearing Housing | Undre hus | 1 | |
| 237 | 914529 | Retaining Ring | Spärring | 1 | |
| 310 | 3797255 | Shaft Assy | Axel kpl | 1 | Type K |
| 321 | 909306 | Flat Key | Plattkil | 1 | For K |
| 411 | 3702959 | Cylinder Barrel | Cylindertrumma | 1 | |
| 431 | 72686 | Barrel Retaining Ring | Fåstring | 1 | |
| 440 | 3708658 | Piston Assy | Kolv kpl | 5 | |
| 452 | 3795833 | Ring Gear | Kuggkrans | 1 | |
| 460 | 3797156 | Tap Rol Bearing | Kon rullager | 1 | |
| 464 | 3797201 | Spacer Ring | Distansring | 1 | |
| 470 | 3797298 | Tap Rol Bearing | Kon rullager | 1 | |
| 474 | 907025 | Lock Washer | Låsbricka | 2 | |
| 475 | 906635 | Round Nut | Rundmutter | 1 | |
| 486 | 3797260 | Guide Spacer | Styrhylsa | 1 | |
| 488 | 3797421 | Shim | Justerbricka | 2 | 0.4 |
| 488 | 3797422 | Shim | Justerbricka | 2 | 0.5 |
| 488 | 3797423 | Shim | Justerbricka | 2 | 0.6 |
| 488 | 3797424 | Shim | Justerbricka | 2 | 0.7 |
| 488 | 3797425 | Shim | Justerbricka | 2 | 0.8 |
| 491 | 959243 | Hex Socket Screw | Insexskruv | 4 | |
| 990 | 118800 | Expanding Plug | Expanderplug | 2 | |
| 991 | 3799424 | Speed Sensor Assy | Varvtalsgivare kpl | 1 | |
| 992 | 3782149 | Grease Fitting | Smörjnippel | 1 | |

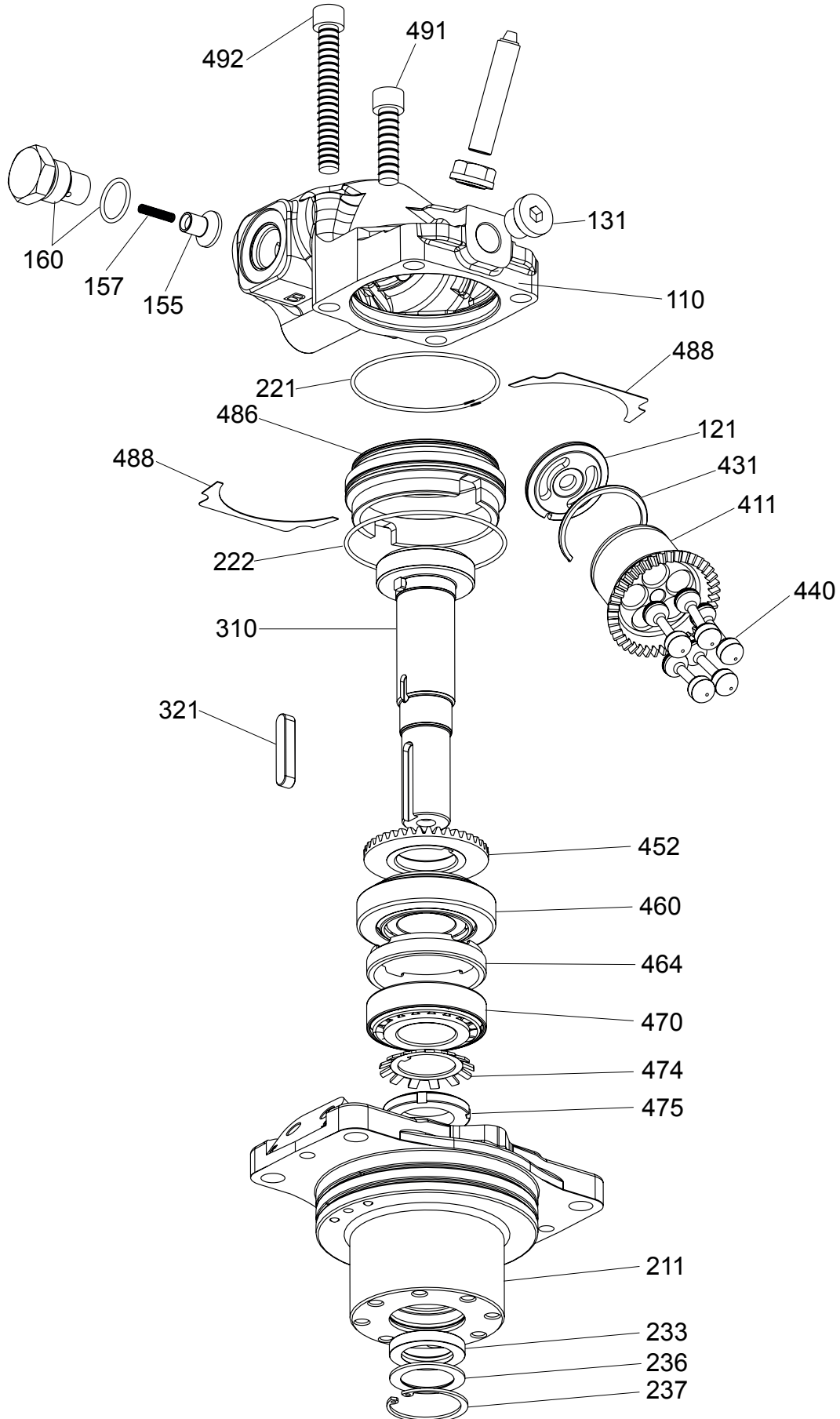
Kits F11-019

| Part No | Title | Benämning | Remarks |
|---------|-----------------|----------------|--------------|
| 3783384 | Seal Kit | Tätsats | For Sawmotor |
| 3780160 | Spare Parts Kit | Reservdelssats | For Sawmotor |

The seal kit comprise items 221, 222, 233 and 236.

The spare parts kit comprise items 121, 221, 222, 233, 236, 411, 431 and 440.

Split View
F11-014 Sawmotor



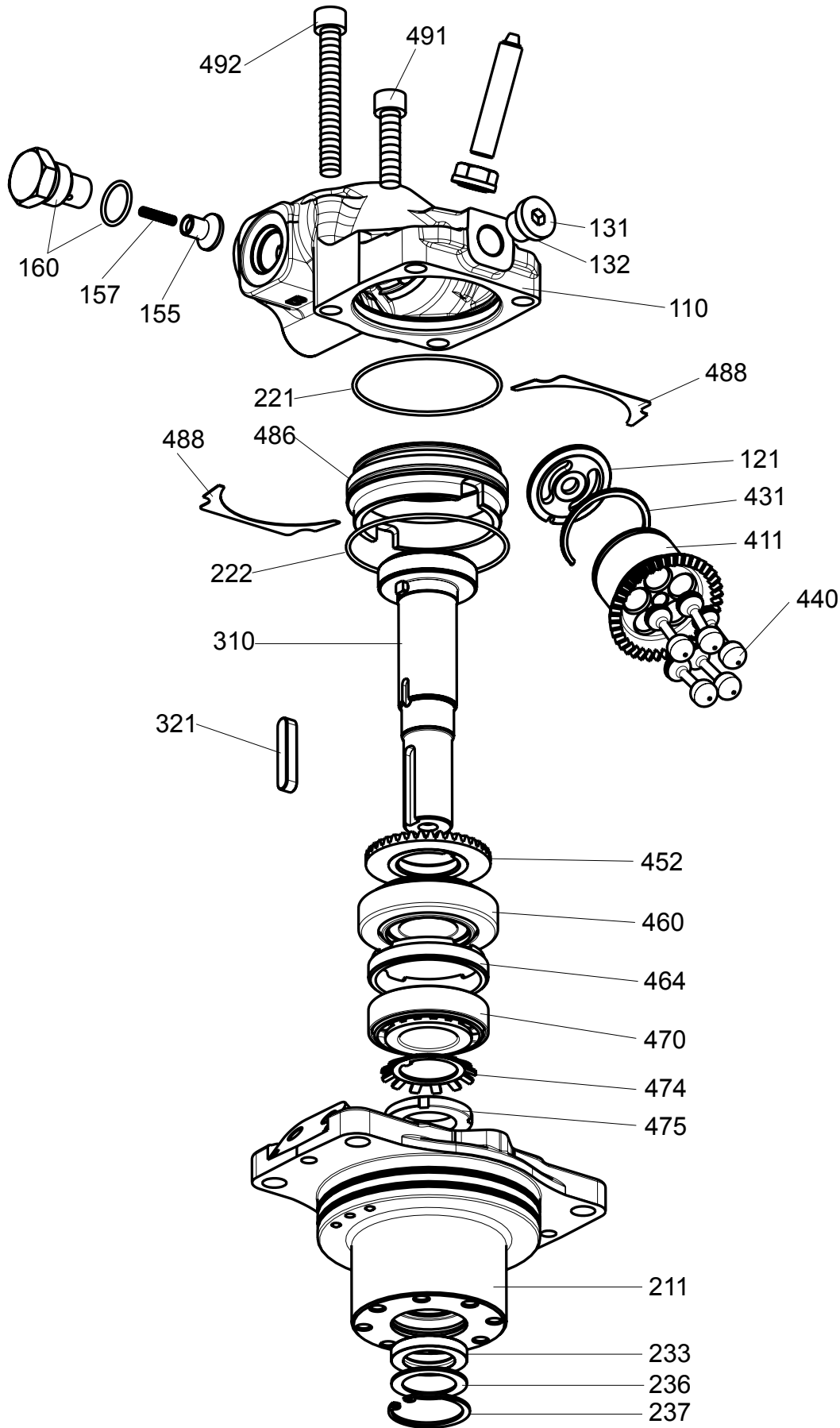
SP220 2-0602F11-014-HB-CV-K-000-MVR-0
F11-014-HB-CV-K-000-MVL-03783204
3783203

| Item | Part No | Title | Benämning | Qty | Remarks |
|------|---------|-----------------------|------------------|-----|---------|
| 110 | 3783195 | Barrel Housing Assy | Övre hus kpl | 1 | Type R |
| 110 | 3783196 | Barrel Housing Assy | Övre hus kpl | 1 | Type L |
| 121 | 3782850 | Valve Plate | Ventilskiva | 1 | Type H |
| 131 | 944506 | Hex Socket Plug | Insexpropp | 1 | |
| 132 | 944496 | Seal Washer | Tätbricka | 1 | |
| 155 | 3797289 | Chec Valve Cone | Backventilkägla | 1 | |
| 157 | 3797290 | Compression spring | Tryckfjäder | 1 | |
| 160 | 3797292 | Hex Socket Plug Assy | Sexkantpropp kpl | 1 | |
| 211 | 3783240 | Bearing Housing | Undre hus | 1 | |
| 237 | 3783253 | Retaining Ring | Spärring | 1 | |
| 310 | 3782825 | Shaft Assy | Axel kpl | 1 | Type K |
| 321 | 909305 | Flat Key | Plattkil | 1 | For K |
| 411 | 3782829 | Cylinder Barrel | Cylindertrumma | 1 | |
| 431 | 3782984 | Barrel Retaining Ring | Fästring | 1 | |
| 440 | 3782828 | Piston Assy | Kolv kpl | 5 | |
| 452 | 3795832 | Ring Gear | Kuggkrans | 1 | |
| 460 | 3798537 | Tap Rol Bearing | Kon rullager | 1 | |
| 464 | 3700954 | Spacer Ring | Distansring | 1 | |
| 470 | 118201 | Tap Rol Bearing | Kon rullager | 1 | |
| 474 | 907024 | Lock Washer | Låsbricka | 2 | |
| 475 | 906634 | Round Nut | Rundmutter | 1 | |
| 486 | 3783044 | Guide Spacer | Styrhylsa | 1 | |
| 488 | 3797411 | Shim | Justerbricka | 2 | 0.4 |
| 488 | 3797412 | Shim | Justerbricka | 2 | 0.5 |
| 488 | 3797413 | Shim | Justerbricka | 2 | 0.6 |
| 488 | 3797414 | Shim | Justerbricka | 2 | 0.7 |
| 488 | 3797415 | Shim | Justerbricka | 2 | 0.8 |
| 491 | 959241 | Hex Socket Screw | Insexskruv | 2 | |
| 492 | 959249 | Hex Socket Screw | Insexskruv | 2 | |

Seal Kit F11-014

| Part No | Title | Benämning | Remarks |
|---------|----------|-----------|---------|
| 3785038 | Seal Kit | Tätsats | Type V |

The seal kit comprise items 221, 222, 233 and 236.



F11-014-HB-WV-K-000-MVR-0
F11-014-HB-WV-K-000-MVL-03785032
3783275

| Item | Part No | Title | Benämning | Qty | Remarks |
|------|---------|-----------------------|------------------|-----|---------|
| 110 | 3783195 | Barrel Housing Assy | Övre hus kpl | 1 | Type R |
| 110 | 3783196 | Barrel Housing Assy | Övre hus kpl | 1 | Type L |
| 121 | 3782850 | Valve Plate | Ventilskiva | 1 | Type H |
| 131 | 944506 | Hex Socket Plug | Insexpropp | 1 | |
| 132 | 944496 | Seal Washer | Tätbricka | 1 | |
| 155 | 3797289 | Chec Valve Cone | Backventilkägla | 1 | |
| 157 | 3797290 | Compression spring | Tryckfjäder | 1 | |
| 160 | 3797292 | Hex Socket Plug Assy | Sexkantpropp kpl | 1 | |
| 211 | 3783251 | Bearing Housing | Undre hus | 1 | |
| 237 | 3783253 | Retaining Ring | Spårring | 1 | |
| 310 | 3783382 | Shaft Assy | Axel kpl | 1 | Type X |
| 321 | 909306 | Flat Key | Plattkil | 1 | For X |
| 411 | 3782829 | Cylinder Barrel | Cylindertrumma | 1 | |
| 431 | 3782984 | Barrel Retaining Ring | Fåstring | 1 | |
| 440 | 3782828 | Piston Assy | Kolv kpl | 5 | |
| 452 | 3795832 | Ring Gear | Kuggkrans | 1 | |
| 460 | 3798537 | Tap Rol Bearing | Kon rullager | 1 | |
| 464 | 3703853 | Spacer Ring | Distansring | 1 | |
| 470 | 118201 | Tap Rol Bearing | Kon rullager | 1 | |
| 474 | 907024 | Lock Washer | Låsbricka | 2 | |
| 475 | 906634 | Round Nut | Rundmutter | 1 | |
| 486 | 3783044 | Guide Spacer | Styrhylsa | 1 | |
| 488 | 3797411 | Shim | Justerbricka | 2 | 0.4 |
| 488 | 3797412 | Shim | Justerbricka | 2 | 0.5 |
| 488 | 3797413 | Shim | Justerbricka | 2 | 0.6 |
| 488 | 3797414 | Shim | Justerbricka | 2 | 0.7 |
| 488 | 3797415 | Shim | Justerbricka | 2 | 0.8 |
| 491 | 959241 | Hex Socket Screw | Insexskruv | 2 | |
| 492 | 959249 | Hex Socket Screw | Insexskruv | 2 | |
| 990 | 118800 | Expanding Plug | Expanderplugg | 2 | |
| 992 | 3782149 | Grease Fitting | Smörjnippel | 1 | |

Seal Kit F11-014

| Part No | Title | Benämning | Remarks |
|---------|----------|-----------|---------|
| 3785038 | Seal Kit | Tätsats | Type V |

The seal kit comprise items 221, 222, 233 and 236.



Parker Hannifin
Pump and Motor Division
Flygmotorvägen 2
SE-461 82 Trollhättan
Sweden
Tel: +46 (0)520 40 45 00
Fax: +46 (0)520 371 05
www.parker.com