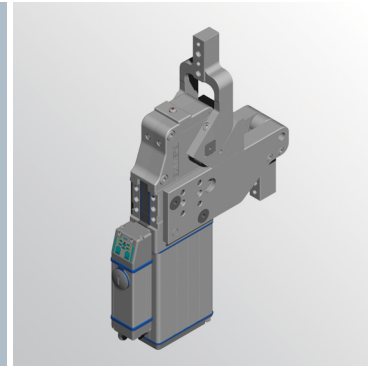


LDE350

Double arm power clamp



L	D	E	3	5	0	V	P	D	1	0
1			2		3		4		5	

1 Series	2 Size	3 Arm mount style
-----------------	---------------	--------------------------

LDE = Double arm power clamp

350

V = 90° O = 180°

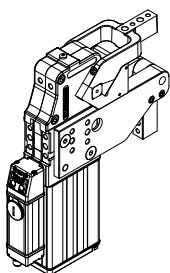
4 Arm geometry	5 Arm style	3 Control module
-----------------------	--------------------	-------------------------

P = Parallel
 O = Orthogonal
 I = Parallel with inverted movement
 max. 15°(upon request)

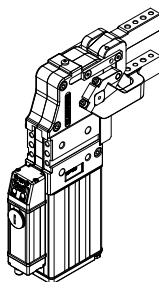
C = Central
 D = Right
 S = Left

10 = 1 connector - standard software
 20 = 2 connector - standard software

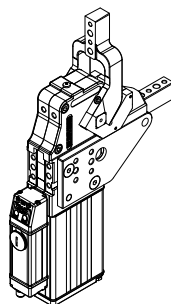
90° orthogonal



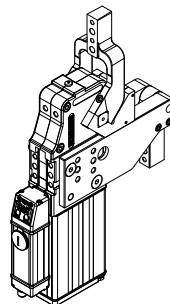
90° parallel



180° orthogonal



180° parallel



180° parallel inverted movement

