

DISSECTION TABLES

Chapter 7



HO Dissection Table Options.....	295
HA100 Dissection Table	296-297
HA200 Dissection Table	298-299
HA300 Dissection Table	300-301
HA400 Dissection Table	302-303
HB100 Dissection Table	304-305
HB400 Dissection Table	306-307
HB450 Dissection Table	308-309
HB300 Dissection Table	310-311
HD100 Dissection Tank	312-313
HF100 & HF200 Dissection Stations	314-316

HA and HB Series Dissection Tables

1

Mopec has proudly supplied dissection tables to anatomy laboratories throughout the world, from high schools to independent laboratories, as well as many of the world's largest academic institutions.

Mopec's large list of clients will proudly endorse our technically advanced design, high quality equipment and commitment to customer satisfaction.



2

Mopec can custom design any room or lab to meet your specifications. Mopec has turnkey solutions!

3



4

5

6

7

8

9

10

11



HO Dissection Table Optional Features

H0001 Bridge Style Leg Rest

Leg rest is removable and provided with integral leg stirrups



H0006 Post Style Book Holder

This swing style book holder is removable and mounted on the leg frame of the dissection table. Each book holder will support one book. Sold individually.



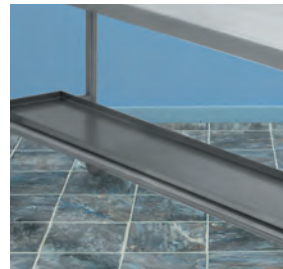
H0002 Bridge Style Book Stand

Book stand is removable and includes book ledge, capable of supporting two books. This option is designed to be concealed under the hood when closed



H0024 Lower Fixed Stainless Steel Shelf

Stainless steel shelf



H0003 Bucket Holder

The bucket holder is self contained and is straddled between two lateral frame supports of the unit. Shown with optional BA005 stainless steel bucket.



H0029 Scale Stand

Table mounted scale support socket. The stand includes a support socket and a support tube allowing the scale to swing over and drain into the sink. Scale and pan not included.



H0005 Post Style Leg Rest

These two stirrup style leg holders are removable and mounted to the frame of the dissection table. Sold as a set of two.



H0030 Stainless Steel Instrument Holder

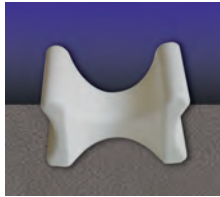
Instrument holder can be placed at any corner of the dissecting table. Tray is removable for cleaning and transporting dissecting instruments.



Accessories



BA005 Stainless Steel Bucket Shown with Cover (BA006)



BA026 Plastic Headrest



BA025 Rubber Headrest



BA601 Disposable Headrest



BA029 Body Support Shim

Mopec offers many more accessories - customized to your needs



HA100 Dissection Table

1

2

3

4

5

6

7

8

9

10

11



HA100 modified

Recessed Table Top with Fluid Drain

The HA100 Dissection Table is designed for the dissection of cadavers and includes a recessed top. Built with a positive slope the table drains toward one end into a bucket (accessory BA005) which is neatly suspended under the frame. A PVC stop valve is located under the drain to stop the flow of fluids while emptying the bucket (accessory BA005). Heavy duty lockable casters allow you to roll the cart to any area of the room where additional dissection space is needed.

HA100 Standard Features

Table Top: The table top features fully welded construction with heavy-duty undercarriage subframe. The table top is fabricated of 14 gauge stainless steel with a #4 satin finish.

Undercarriage Sub-frame: "U" channel type design with continuous structural welding. Material utilized is 11 gauge stainless steel.

Casters: Casters are 5" diameter with heavy duty swivel wheels complete with swivel locks and wheel brakes.

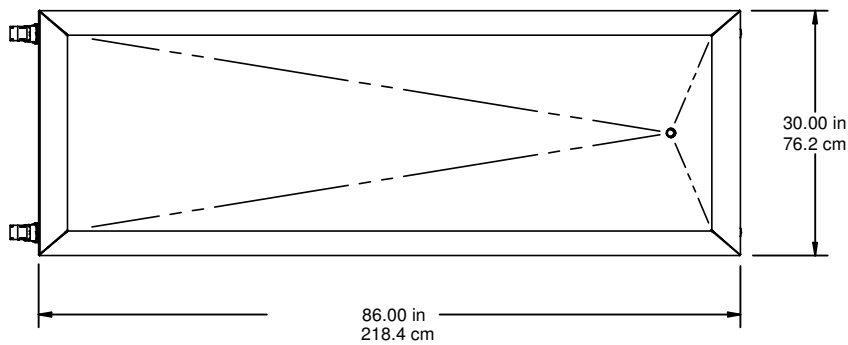
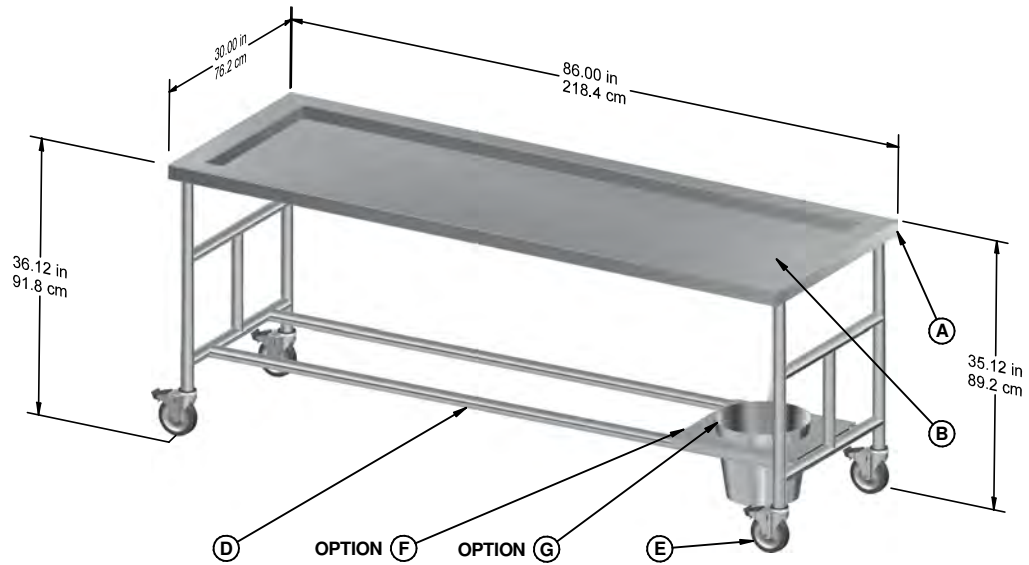
Frame: The frame is constructed with four upright legs, two cross leg support tubes and two lateral support tubes. Fabricated of 1-5/8" diameter heavy wall stainless steel tubing with a #4 satin finish.

ISO: Quality Management System in compliance with ISO 9001:2008 and applies: Design, Engineering, Manufacturing and Installation of Equipment Distribution of Supplies for Morgue, Pathology, Histology and Necropsy Applications.

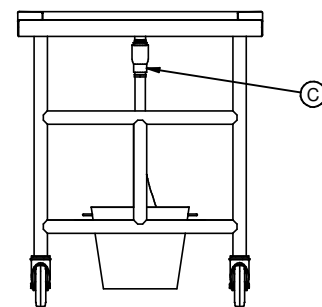
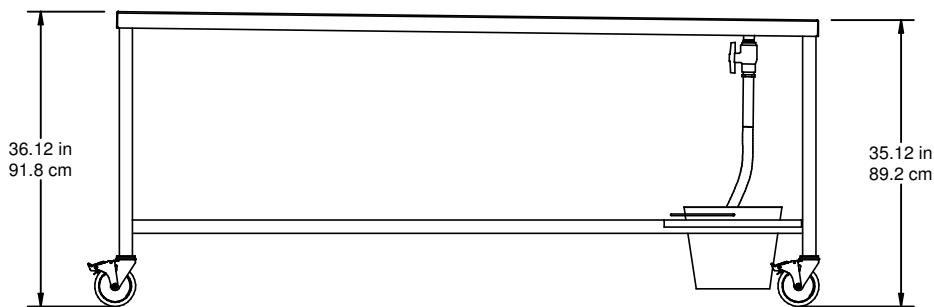
HA100 Optional Features

Description	Product No.
Bridge Style Leg Rests	HO001
Bridge Style Book Stand	HO002
Bucket Holder	HO003
Post Style Leg Rests	HO005
Post Style Book Holder	HO006
Fixed Stainless Steel Shelf	HO024
Accessories	
Stainless Steel Bucket	BA005
Optional Headrests - see Autopsy Accessories	

HA100 Dissection Table



Optional HO006 Post Style Book Holders



STANDARD FEATURES:

- A Stainless Steel Top
- B Drain Hole
- C PVC Ball Valve
- D Heavy-Duty Frame
- E Casters w/Wheel Brake – Swivel Lock

OPTIONAL FEATURES:

- F HO003 – Bucket Holder
- G BA005 – Drain Bucket
- HO005 – Post Style Leg Rests (Not Shown)
- HO006 – Post Style Book Holder (Not Shown)



HA200 Dissection Table with Creased Top

1

2

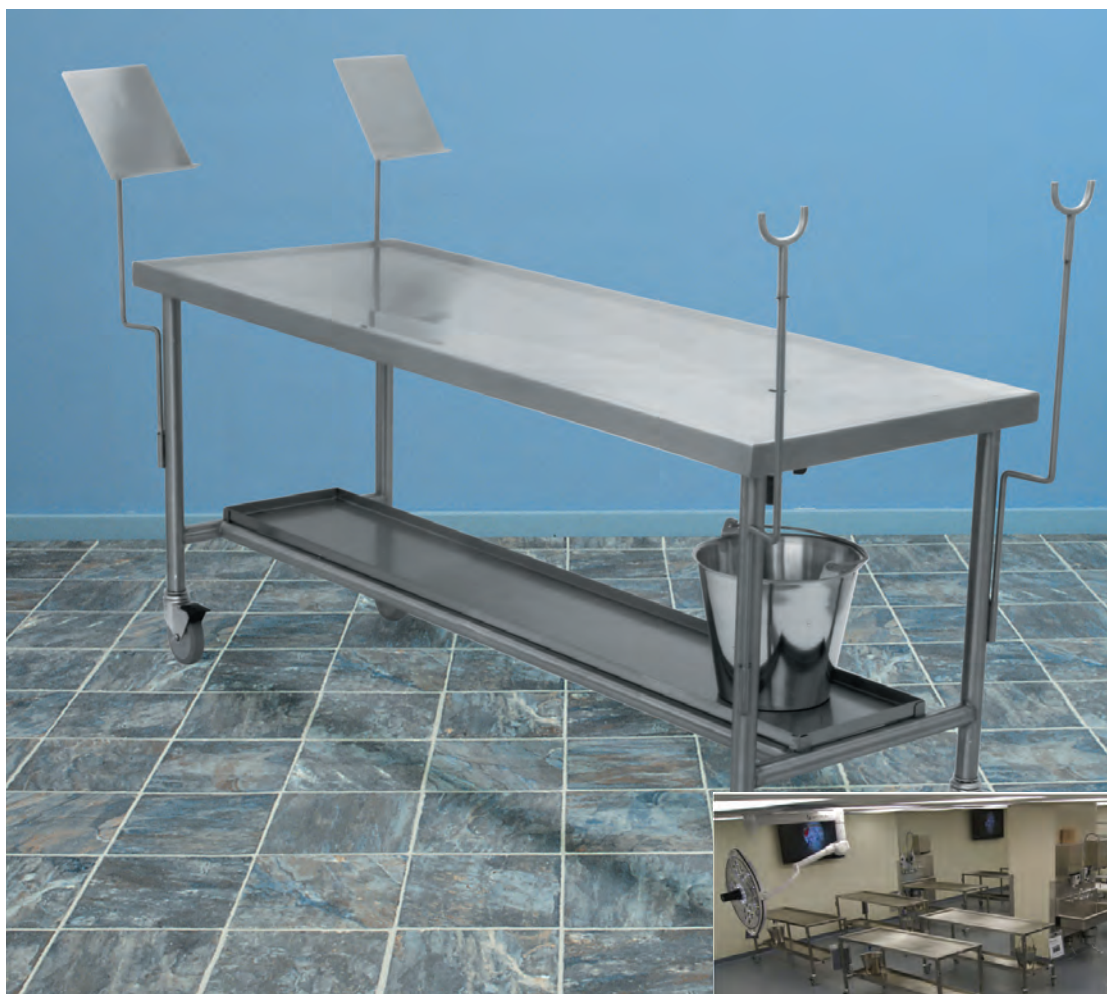
3

4

5

6

7



Mopec's economical HA200 Dissection Table is designed for dissection of cadavers and offers a broad 27" x 78" dissection area with a positive creased marine edge for drainage. This unique feature helps eliminate fluids from spilling over the edge while allowing a smooth rounded perimeter for easy placement and removal of cadavers from either side of the table. The built in slope allows drainage toward one end of the table and into a drain pail located on a shelf below the drain valve. A PVC stop valve is located under the drain to stop the flow of fluids while emptying the collection bucket.



Lower Shelf: A lower frame shelf is used to support the drain bucket or any accessory while dissection is taking place. The shelf is fabricated of 18 gauge type 304 stainless steel with a #4 satin finish.

ISO: Quality Management System in compliance with ISO 9001:2008 and applies: Design, Engineering, Manufacturing and Installation of Equipment Distribution of Supplies for Morgue, Pathology, Histology and Necropsy Applications.

HA200 Standard Features

Table Top: Designed with positive 2" marine edge construction and heavy crease to drain on lower end. Also featured is fully welded construction with heavy-duty undercarriage subframe.

Undercarriage Sub-Frame: Angle type design with full perimeter construction and full structural type welding. Material is 11 gauge stainless steel.

Frame: The frame is constructed with four upright legs, two cross leg support tubes and two lateral support tubes.

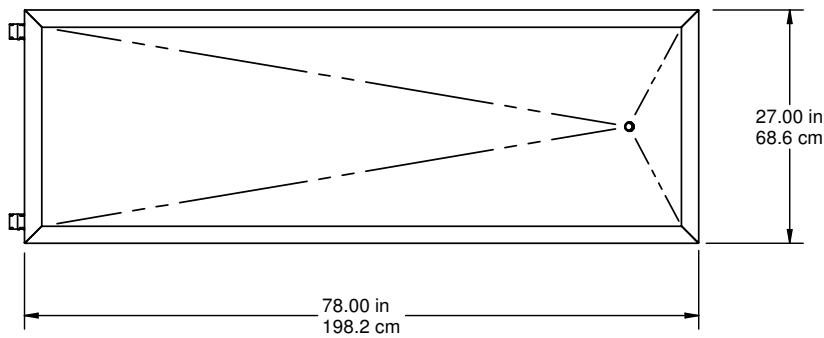
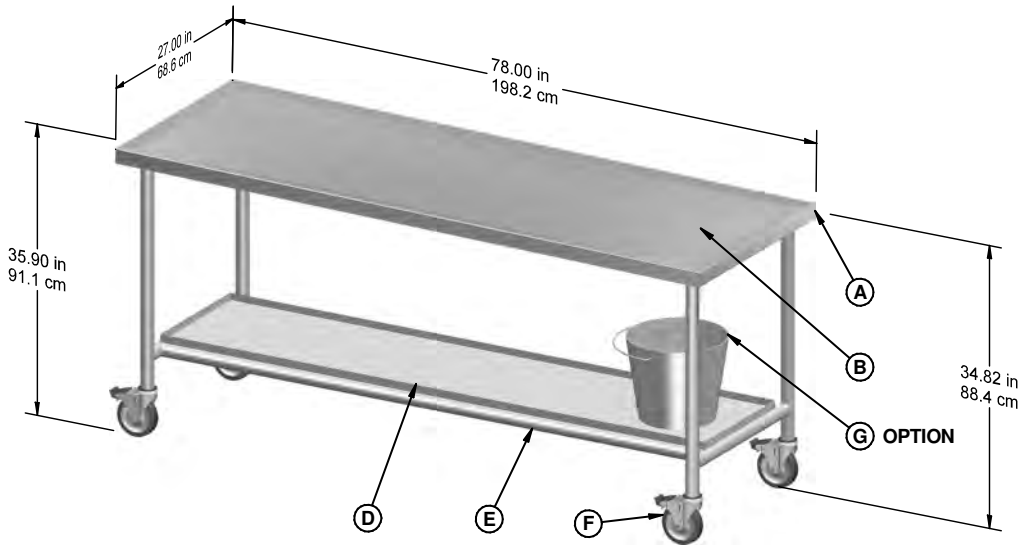
Casters: Casters are 5" diameter with heavy duty swivel wheels complete with swivel locks and wheel brakes.

HA200 Optional Features

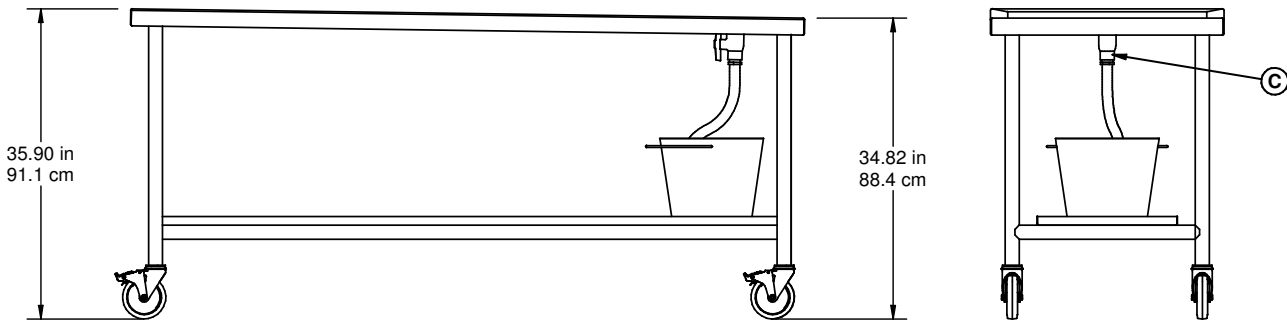
Description	Product No.
Post Style Leg Rests	HO005
Post Style Book Holder	HO006
Accessories	
Stainless Steel Bucket	BA005
Optional Headrests - see Autopsy Accessories	

HA200 Dissection Table with Creased Top

- 1
- 2
- 3
- 4
- 5
- 6
- 7
- 8
- 9
- 10
- 11



Optional HO002 Bridge Style Book Holder



STANDARD FEATURES:

- A Stainless Steel Top
- B Drain Hole
- C PVC Ball Valve
- D Stainless Steel Lower Shelf
- E Heavy-Duty Frame
- F Casters w/Wheel Brake – Swivel Lock

OPTIONAL FEATURES:

- G BA005 – Drain Bucket
- HO005 – Post Style Leg Rests (Not Shown)
- HO006 – Post Style Book Holder (Not Shown)

HA300 Dissection Cart with Removable Tray

1

2

3

4

5

6

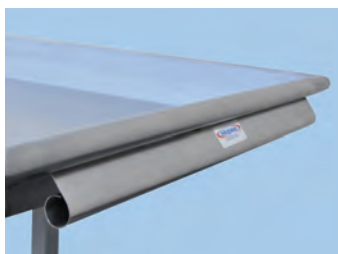
7

8

9

10

11



HA300 optional rolled edge



HA300 shown with tray (JC102)

The HA300 Dissecting Cart with removable tray is designed for the dissection of cadavers. Includes JC102 stainless steel tray with rolled edge handles. Gliding on corrosion proof polypropylene rollers, the body tray easily rolls onto the cart frame. Once the tray is on the HA300 cart, lockable tray latch secures body tray from back sliding. Constructed to work with the body tray is a fluid collection system consisting of a 2-1/2 gallon square carboy. This unique feature helps eliminate fluids from the dissection tray. The carboy sits on a fixed stainless steel shelf. Carboy and shelf included. Weight capacity of the cart is 375 pounds.

HA300 Standard Features

Cart Frame Material: Constructed of stainless steel with a #4 satin finish. Tubing is type 304, polished.

Tray Roller Wheels: 2" Diameter polypropylene roller wheel assembly. Each wheel assembly (ten per cart) includes oilite bushings and washers providing an almost effortless motion of loading and unloading of the tray.

Caster: The HA300 Total Wheel locking system makes it easy to securely lock the wheels in place for cadaver transfer. Lock one wheel in parallel alignment for easy steering through crowded halls and elevators.

Lower Shelf: A lower frame shelf is used to support the fluid collection system. The shelf is constructed of 18 gauge stainless steel.

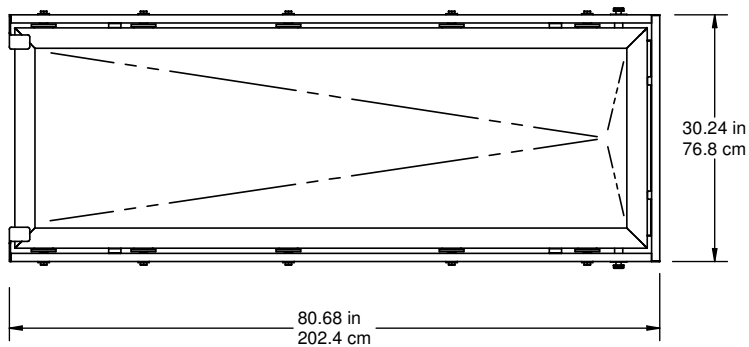
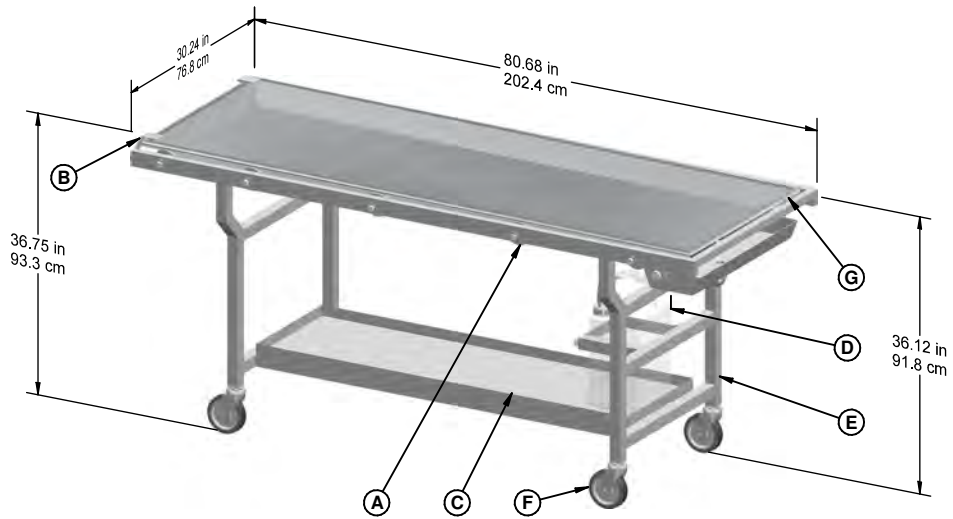
Carboy: 2-1/2 gallon square carboy container.

JC102: Stainless steel construction, 77" long x 27" wide. Rolled edge handles, helps eliminate finger pinching.

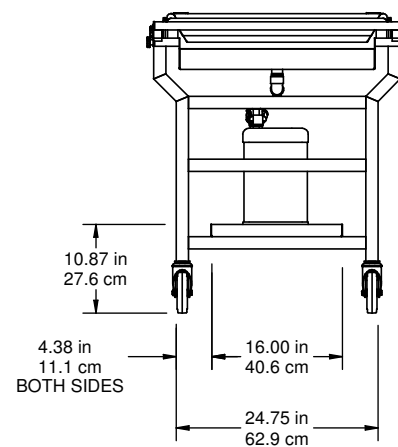
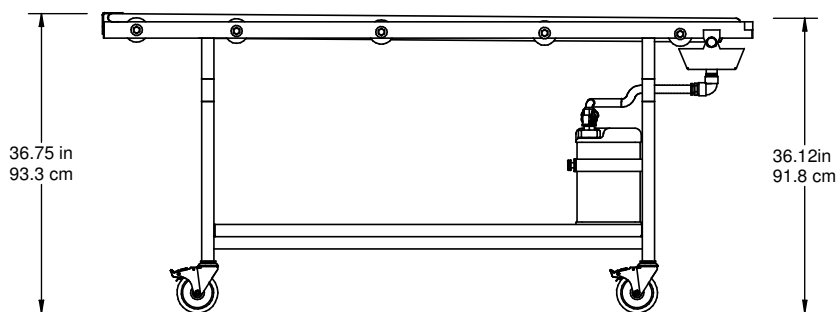
NOTE: Please check with Mopec for additional tray styles and available options.

ISO: Quality Management System in compliance with ISO 9001:2008 and applies: Design, Engineering, Manufacturing and Installation of Equipment Distribution of Supplies for Morgue, Pathology, Histology and Necropsy Applications.

HA300 Dissection Cart with Removable Tray



Fluid collection system



STANDARD FEATURES:

- A Roller Wheel Assembly
- B Tray Latch
- C Lower Shelf, Stainless Steel 16" x 52"
- D Fluid Collection System
- E Heavy-Duty Stainless Steel Frame
- F Casters w/Wheel Brake – Swivel Lock
- G JC102 Stainless Body Tray, 77" x 27"



HA400 Dissection Table

Recessed Creased Top with Drawers

1

2

3

4

5

6

7

8

9

10

11



Shown with custom lower shelf



The HA400 Dissecting Table with drawers and optional shelf is designed for dissection of cadavers and offers a broad dissection area with a recessed edge. This unique feature helps eliminate fluids from spilling over the edge while allowing a smooth rounded perimeter for easy placement and removal of cadavers from either side of the unit. The built in slope allows drainage toward one end of the table and into an optional drain bucket located within an optional shelf below the drain valve. A PVC stop valve is located under the drain to stop the flow of fluids while emptying the collection bucket. Located under the tabletop, adjacent to the drain are three large 15" stainless steel drawers, suitable for instrument storage.

HA400 Standard Features

Table Top: Designed with a two inch recessed edge. Table top has a 1-1/2" slope toward drain hole. Also featured is fully welded construction.

Undercarriage Sub-Frame: Angle type design with full perimeter heavy-duty construction and full structural type welding. Material is 11 gauge stainless steel.

Frame: The frame is constructed with four upright legs, two cross leg support tubes and two lateral support tubes.

Casters: Casters are 5" diameter with heavy duty swivel wheels complete with swivel locks and wheel brakes.

Drawers: Three 15" L x 20" W x 5" D (38.1cm x 50.8 cm x 12.7 cm) stainless steel drawers.

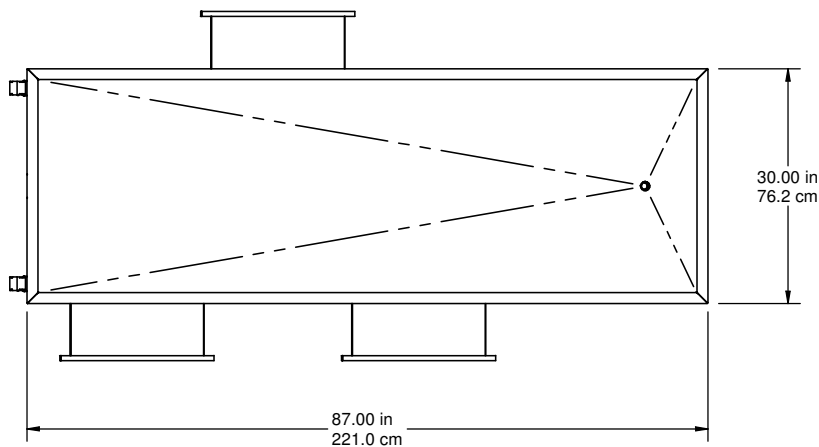
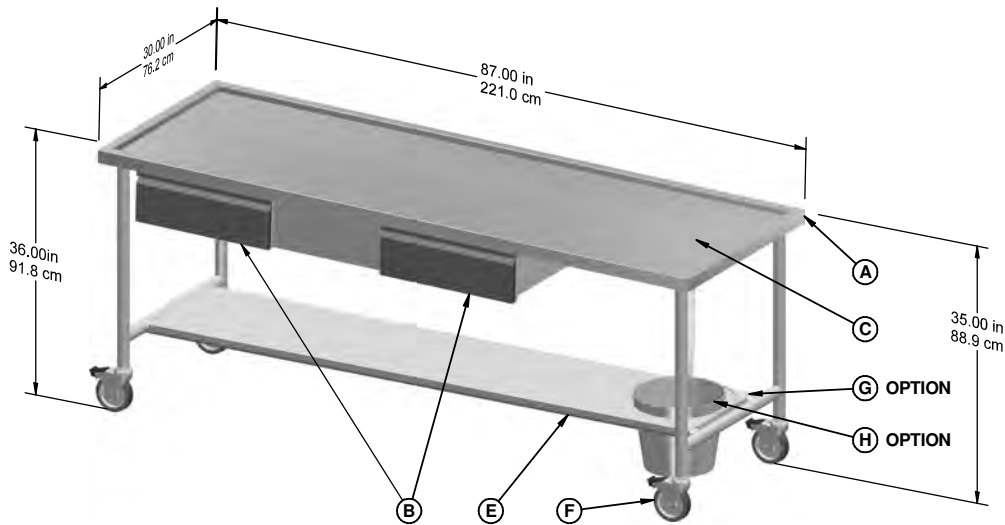
ISO: Quality Management System in compliance with ISO 9001:2008 and applies: Design, Engineering, Manufacturing and Installation of Equipment Distribution of Supplies for Morgue, Pathology, Histology and Necropsy Applications.

HA400 Optional Features

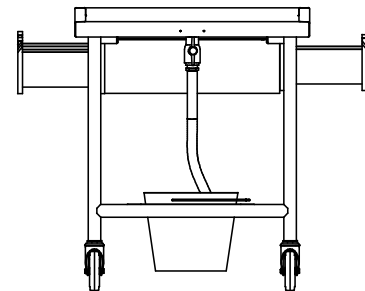
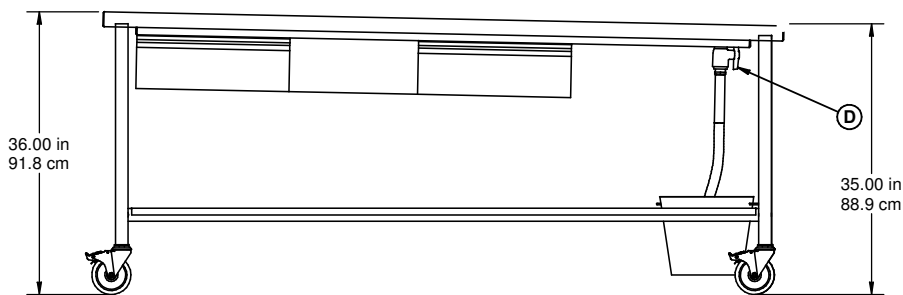
Description	Product No.
Bridge Style Leg Rests	HO001
Bridge Style Book Stand	HO002
Bucket Holder	HO003
Post Style Leg Rests	HO005
Post Style Book Holder	HO006
Fixed Stainless Steel Shelf	HO024
Accessories	
Stainless Steel Bucket	BA005
Optional Headrests - see Autopsy Accessories	

HA400 Dissection Table

Recessed Creased Top with Drawers



One of three drawers 15" L x 20" W x 5" D



STANDARD FEATURES:

- A Stainless Steel Top
- B (3) Stainless Steel Drawers
- C Drain Hole
- D PVC Ball Valve
- E Heavy-Duty Frame
- F Casters w/Wheel Brake – Swivel Lock

OPTIONAL FEATURES:

- G HO024 – Stainless Steel Shelf
- H BA005 – Drain Bucket
- HO005 – Post Style Leg Rests (Not Shown)
- HO006 – Post Style Book Holder (Not Shown)



HB100 Dissection Table with Hinged Cover

1

2

3

4

5

6

7

8

9

10

11



HB100 Dissection Table with hinged cover

The HB100 Dissection Table is designed for the dissection of cadavers and includes a recessed top which eliminates the need for a body tray. Built with a 1" slope the table drains toward one end and into an optional drain bucket which is neatly suspended under the frame. Two hinged covers are provided to securely conceal the cadaver in a discrete manner. During the dissection the hinged covers lock neatly and securely under the table and out of the way. A PVC stop valve is located under the drain to stop the flow of fluids while emptying the bucket.



HB100 Standard Features

Table Top: The table top features fully welded construction fabricated of 14 gauge stainless steel with a #4 satin finish.

Undercarriage Sub-frame: Heavy-duty undercarriage subframe, "U" channel type design with continuous structural welding. Material utilized is 11 gauge stainless steel.

Casters: Casters are 5" diameter with heavy duty swivel wheels complete with swivel locks and wheel brakes.

Frame: The frame is constructed with four upright legs, two cross leg support tubes and two lateral support tubes. Fabricated of 1-5/8" diameter heavy wall stainless steel tubing with #4 satin finish.

Hood: The hood end caps are provided with continuous welding.

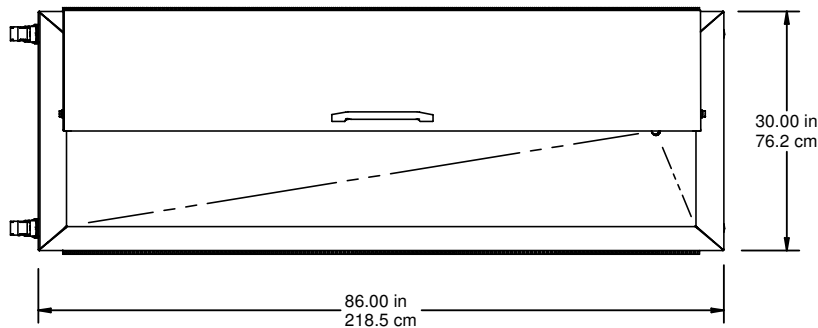
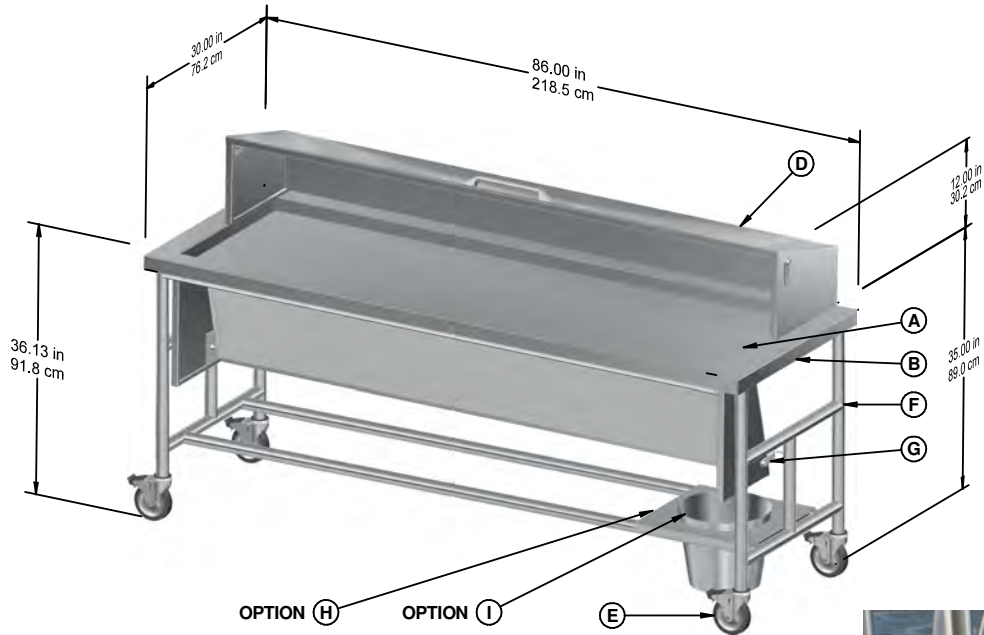
Swing Latches: Swing latches are provided to securely hold the hood open under the table while in use.

ISO: Quality Management System in compliance with ISO 9001:2008 and applies: Design, Engineering, Manufacturing and Installation of Equipment Distribution of Supplies for Morgue, Pathology, Histology and Necropsy Applications.

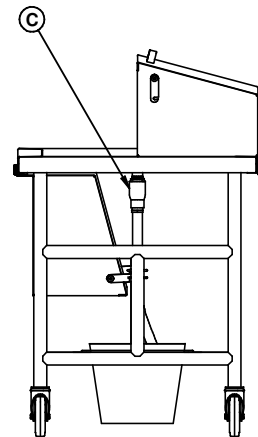
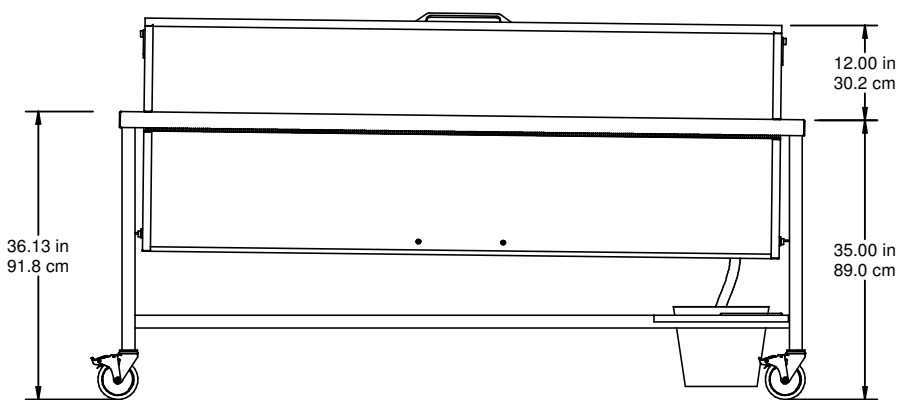
HB100 Optional Features

Description	Product No.
Bridge Style Leg Rests	HO001
Bridge Style Book Stand	HO002
Bucket Holder	HO003
Post Style Leg Rests	HO005
Post Style Book Holder	HO006
Accessories	
Stainless Steel Bucket	BA005
Rubber Headrest	BA025
Plastic Headrest	BA026

HB100 Dissection Table with Hinged Cover



Shown with optional HO003 Bucket Holder and BA005 Stainless Steel Bucket



STANDARD FEATURES:

- A Drain Hole
- B Stainless Steel Table Top
- C PVC Drain Valve
- D Stainless Steel Hood
- E Heavy-Duty Casters w/Brake – Swivel Lock
- F Stainless Steel Frame
- G Stainless Steel Swing Latches (4 each)

OPTIONAL FEATURES:

- H HO003 – Bucket Holder
- I BA005 – Drain Bucket
- HO005 – Post Style Leg Rests (Not Shown)
- HO006 – Post Style Book Holder (Not Shown)



HB400 Dissection

Downdraft Table with Baffle Ventilation System

1

2

3

4

5

6

7

8

9

10

11



The HB400 is a downdraft table designed for the dissection of cadavers. The downdraft system provides a safe environment, completely removing formalin vapors down and away from the user. The hinged cover will securely and discreetly conceal the cadaver. During the dissection, the hinged covers lock neatly and securely under the table and out of the way. The dissecting table has a removable perforated grid plate and a recessed top, eliminating the need for a body tray. Built with a positive slope, the table drains toward one end into a bucket (optional) under the table frame. A PVC stop valve, located under the drain, will stop the flow of fluids while emptying the bucket.

Ventilation is connected into the building ventilation system either on one end or both ends of the dissecting table. **You must chose one system**, either one baffle (single ducting exhaust - HB420) or two baffles (dual duct connection - HB410) The connection can be made to a flexible duct that extends from the ceiling or floor.

HB400 Standard Features

Table top downdraft: Designed to hold a fitted perforated grid plate, the table top features fully welded construction and a heavy-duty undercarriage subframe.

Frame: The sturdy frame is fabricated from 1-5/8" diameter, heavy wall stainless steel tubing and includes two cross leg supports and two lateral supports. Material finish: #4 satin.

Casters: Casters are 5" diameter with heavy duty swivel wheels complete with swivel locks and wheel brakes

Hood: The hood end caps are finished with continuous welding.

Undercarriage sub-frame: "U" channel type design using 11 gauge stainless steel and continuous welded seams.

Duct: Chose one system. HB410 (dual duct) or HB420 (single duct).



HB400 Dissection Table
(shown with single duct HB420)

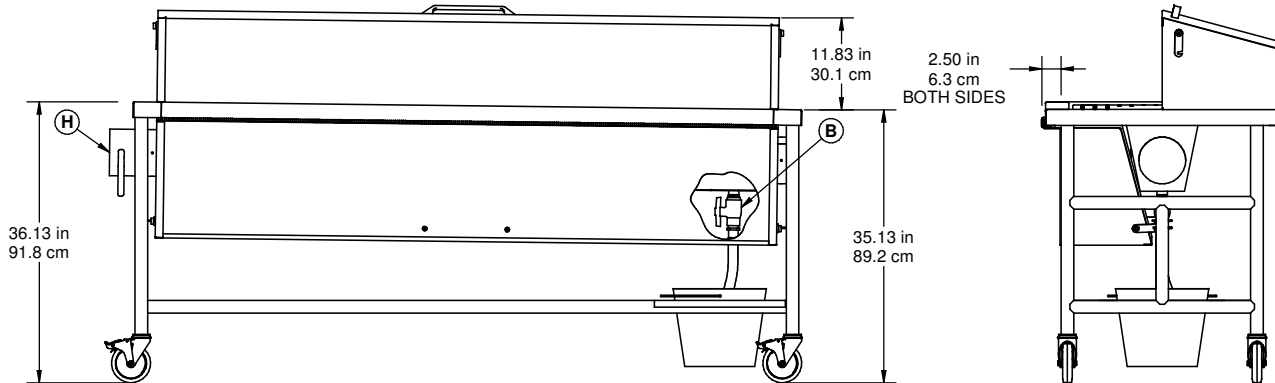
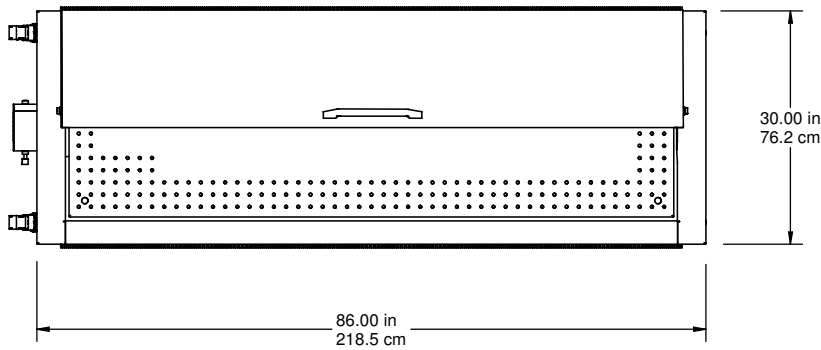
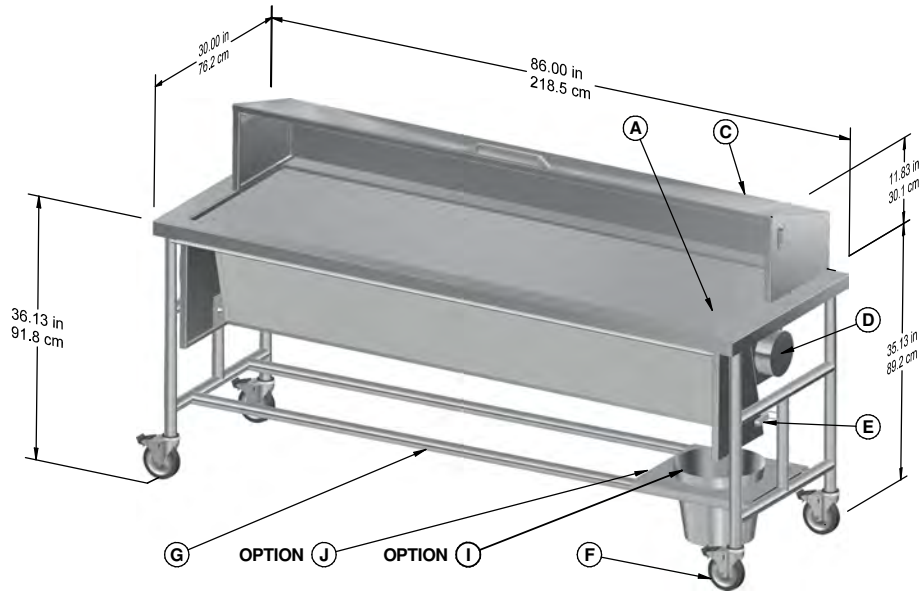
ISO: Quality Management System in compliance with ISO 9001:2008 and applies: Design, Engineering, Manufacturing and Installation of Equipment Distribution of Supplies for Morgue, Pathology, Histology and Necropsy Applications.

HB400 Optional Features

Description	Product No.
Bridge Style Leg Rests	HO001
Bridge Style Book Stand	HO002
Bucket Holder	HO003
Post Style Leg Rests	HO005
Post Style Book Holder	HO006
Accessories	
Stainless Steel Bucket	BA005
Rubber Headrest	BA025
Plastic Headrest	BA026

HB400 Dissection

Downdraft Table with HB420 Baffle Ventilation System



STANDARD FEATURES:

- A Perforated Grid Plate
- B PVC Drain Valve
- C Stainless Steel Hood
- D Ventilation Stub
- E Hood Swing Latch
- F Heavy-Duty Caster w/Wheel Brake – Swivel Lock
- G Heavy-Duty Cart Frame
- H Baffle Ventilation Connection (CHOOSE ONE)
(HB410 Dual Vent Connection)
(HB420 Single Vent Connection)

OPTIONAL FEATURES:

- I BA005 – Drain Bucket
- J HO003 – Bucket Holder



HB450 Dissection Table - Elevating

Elevating Downdraft Table with Baffle Ventilation System

1

2

3

4

5

6

7

8

9

10

11



The HB450 is an elevating Downdraft Dissection Table designed for the dissection of cadavers. Elevation is achieved using a simple handcrank. Elevation range is from 31" - 44". The Downdraft system provides a safe environment, completely removing formalin vapors down and away from the user. The dissecting table has a recessed top which eliminates the need for a body tray. Two hinged covers are provided to securely and discreetly conceal the cadaver. During the dissection the hinged covers lock neatly and securely under the table and out of the way. Built with a positive slope the table drains toward one end into a bucket (optional) neatly suspended under the frame. A PVC stop valve is located under the drain to stop the fluids while emptying the bucket. Ventilation is connected into the building ventilation system on one end of the dissecting table. The table is available with single duct connection only (HB420). The connection can be made to a flexible duct that extends from the ceiling or floor.

Frame: The frame is constructed with four upright legs, two cross leg support tubes and two lateral support tubes. Fabricated of 1-5/8" diameter heavy wall stainless steel tubing with a #4 satin finish.

Hood: The hood end caps are finished with continuous welding.

ISO: Quality Management System in compliance with ISO 9001:2008 and applies: Design, Engineering, Manufacturing and Installation of Equipment Distribution of Supplies for Morgue, Pathology, Histology and Necropsy Applications.

HB450 Standard Features

Table Top Downdraft: Designed to hold a specially formed perforated grid plate, the table top features fully welded construction with heavy-duty undercarriage subframe.

Undercarriage Sub-frame: "U" channel type design with continuous structural welding. Material utilized is 12 gauge stainless steel.

Casters: Casters are 5" diameter with heavy duty swivel wheels complete with swivel locks and wheel brakes.

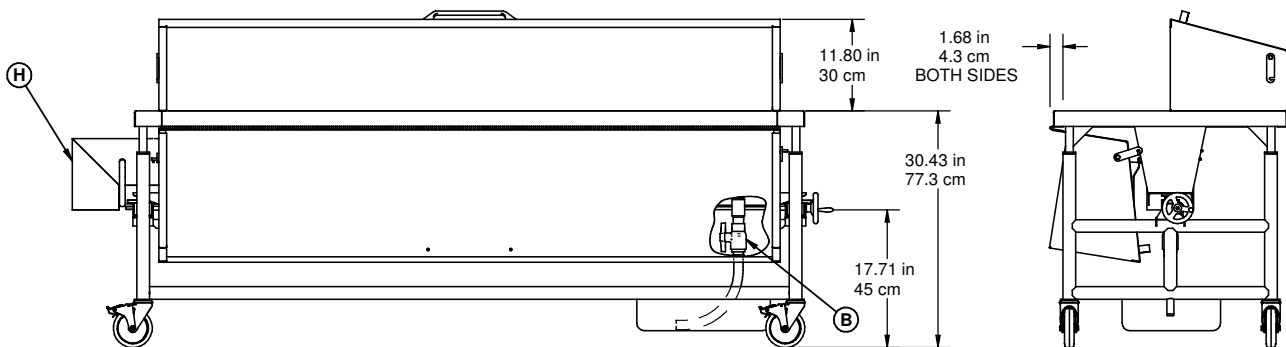
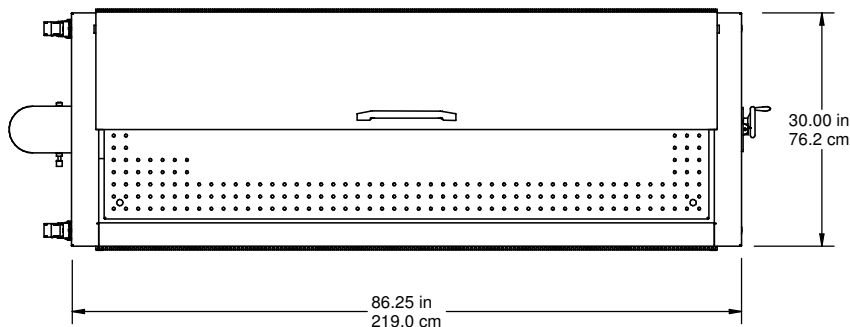
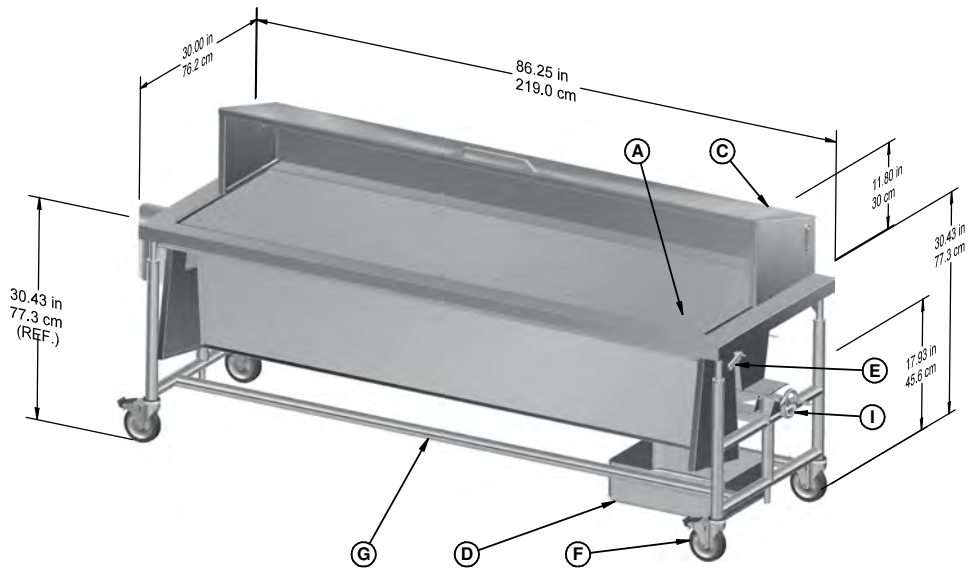
Drain Pan: Removable stainless steel drainage pan.

HB450 Optional Features

Description	Product No.
Bridge Style Leg Rests	HO001
Bridge Style Book Stand	HO002
Accessories	
Rubber Headrest	BA025
Plastic Headrest	BA026

HB450 Dissection Table - Elevating

Elevating Downdraft Table with Baffle Ventilation System



STANDARD FEATURES:

- A Perforated Grid Plate
- B Drain Valve
- C Stainless Steel Hood
- D Removable Drain Pan
- E Hood Swing Latch
- F Heavy-Duty Caster w/Wheel Brake – Swivel Lock
- G Heavy-Duty Cart Frame
- H 6" Ventilation Stub
- I Elevating Crank Wheel



HB300 Dissection Table

Downdraft Table with Tilt-Elevating

1



2

3

4

5

6

7

The HB300 dissection table is designed for dissection of cadavers and includes a recessed top which eliminates the need for a body tray. The downdraft system provides a safe environment, completely ventilating formalin vapors down and away from the user. Ventilation is simply tied into the ceiling, floor or wall using a flexible hose at one end of the dissecting cart. With the built in slope, the table drains toward one end. A PVC stop valve is included. Stainless steel with a #4 satin finish is used throughout unless otherwise specified. The elevating range is 30-1/2" - 44-1/2".

HB300 Standard Features

Table Top Downdraft: The table top is fabricated of 14 gauge type 304 stainless steel with a #4 satin finish. The top is 30" x 86" with a 2" recessed area. The 24" x 79" recessed area is designed to accept the perforated grid plates. The lower surface of the tabletop is the downdraft structure. The table top can be flat or sloped to various angles. The drain is no smaller than 1" NPT with a welded-in-place drain spout. The drain valve is a full 1" ball type PVC valve complete with serrated hose fitting.

Foot Controls: Dual side mounted foot controls allow for almost effortless elevating on either side. Dual locking levers lock all the wheels simultaneously from either end. The dissecting table top can be lowered in height to 31-1/4".

Undercarriage Subframe: The undercarriage subframe is fabricated of 11 gauge type 304 stainless steel. The "U" channel type design completely encases the recessed area of the table top. Continuous welds on all adjoining pieces. The structure can be elevated to a height of 45-1/2" high.

Perforated Grid Plates: The perforated grid plate is fabricated of 14 gauge type 304 stainless steel with a #4 satin finish. The grid is perforated with 1/2" diameter holes on square centers as shown in the drawing.

Casters: Portable units are provided with 8" diameter casters. Each wheel is heavy duty, all swivel type casters, complete with swivel lock and/or wheel brake. The wheel material is impervious to embalming chemicals.

Fabrication: All welding is TIG type using only stainless steel as a filler media. All exposed welds are ground smooth and



regreined to match the adjacent factory mill #4 satin finish. Unexposed welds are brushed free of burrs and discoloration.

Ventilation: Ventilation is connected to the building ventilation system on one end of the dissecting table. The connection can be made to a flexible duct that extends from the ceiling or floor, always opposite the drain.

ISO: Quality Management System in compliance with ISO 9001:2008 and applies: Design, Engineering, Manufacturing and Installation of Equipment Distribution of Supplies for Morgue, Pathology, Histology and Necropsy Applications.

HB300 Optional Features

Description	Product No.
Bridge Style Leg Rests	HO001
Bridge Style Book Stand	HO002
Accessories	
Plastic Headrest	BA026
Rubber Headrest	BA025

8

9

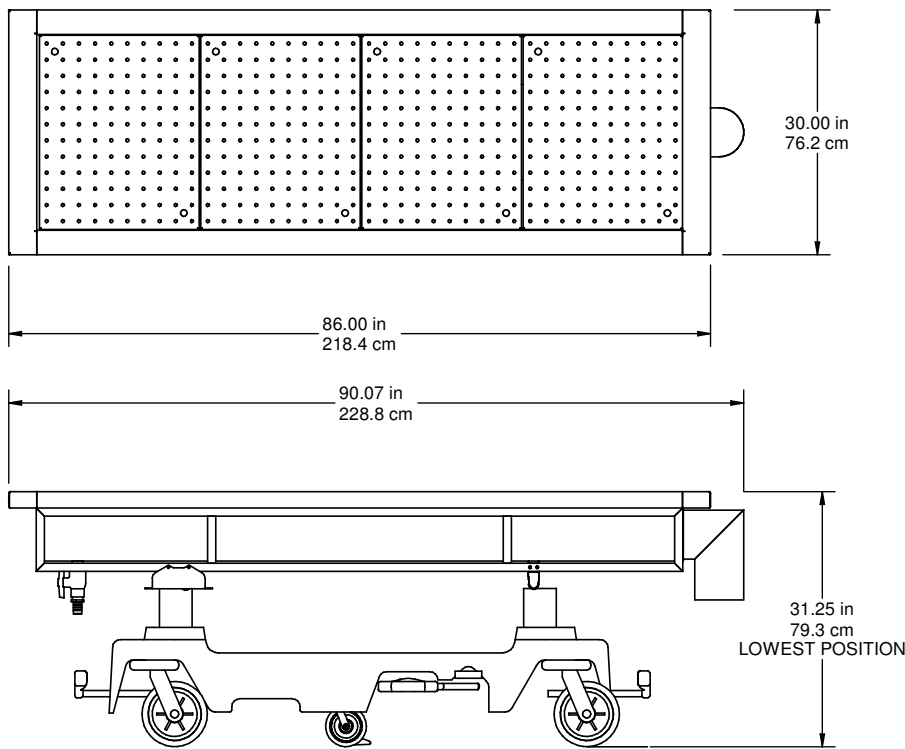
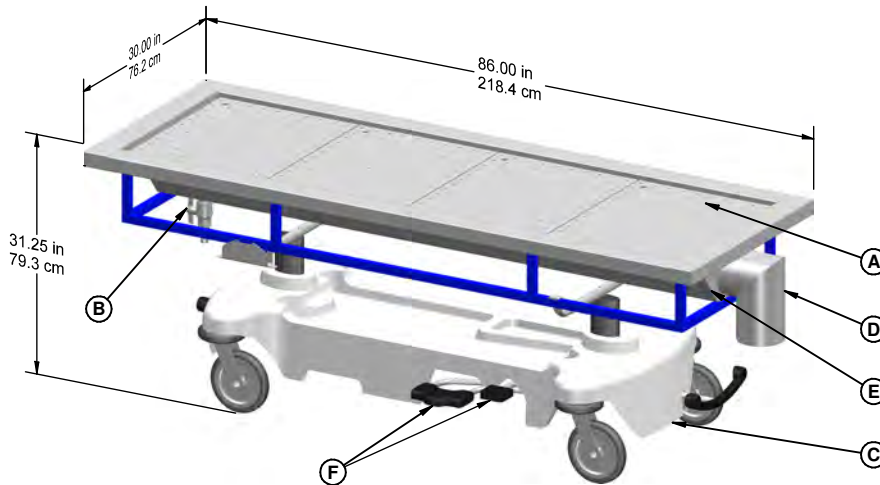
10

11

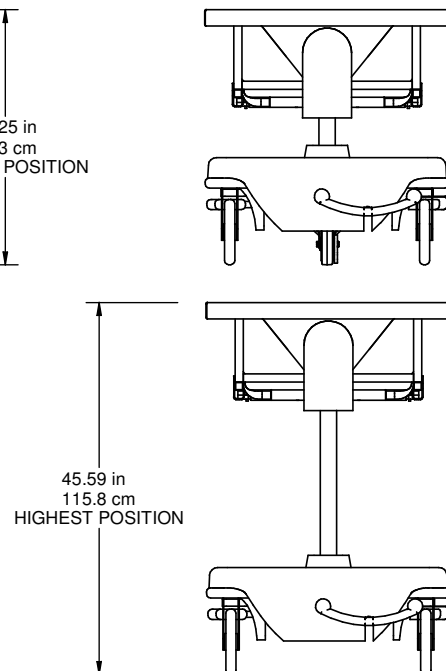


HB300 Dissection Table

Downdraft Table with Tilt-Elevating



- STANDARD FEATURES:**
- A Perforated Grid Plates (4 each)
 - B PVC Drain Valve
 - C Elevating Chassis
 - D Ventilation Stub
 - E Ventilation Chamber
 - F Elevation Control Pedals



HD100 Dissection Dip Tank Table

1

2

3

4

5

6

7

8

9

10

11



HD100 shown open

The HD100 Dissection Table Dip Tank is designed to keep cadavers and anatomic specimens fully submerged in a fixative solution for prolonged storage. The HD100 is ideal for anatomy classes at any teaching hospital or university. The tank helps maintain moisture content and the natural condition of stored tissues.

Storage is accomplished by placing cadaver or specimens on the elevating tray and subsequent lowering of tray into fixative solution. Body tray handles control this movement, pivoting to rise or lower tray and are located on either end of tank.

Positive support latches are provided to securely and safely lock the tray and cadaver in the raised position for further examination or study.

HD100 Standard Features

Tank: Tank is constructed with broad flanges, easing the loading and unloading of specimens, while offering extra strength to the tub. The deep well tank is constructed of heavy duty 14 gauge stainless steel and welded to an equally strong 14 gauge tubular frame, ensuring long service life.

Hood: The hood easily pivots to the side while dissection is taking place. Material is 18 gauge stainless steel with a #4 satin finish.

Body Tray Frame: A standard body tray frame is provided which will saddle the body. The corners are open to allow for fluid drainage during dissection. The frame is fabricated of 16 gauge stainless steel with a #4 satin finish.

Frame: The frame is constructed of 1-1/2" square stainless steel tubing with continuous fillet welds. All welds are brushed clean removing any weld burrs or discoloration.

Casters: Casters are 5" diameter with heavy duty swivel wheels complete with swivel locks and wheel brakes.

Fabrication: All welding is TIG type welding with only stainless steel as a filler media. All exposed welds are ground smooth and regreined to match the adjacent factory mill #4 satin finish. Unexposed welds are free of burrs and discoloration.

ISO: Quality Management System in compliance with ISO 9001:2008 and applies: Design, Engineering, Manufacturing and Installation of Equipment Distribution of Supplies for Morgue, Pathology, Histology and Necropsy Applications.

Product Description

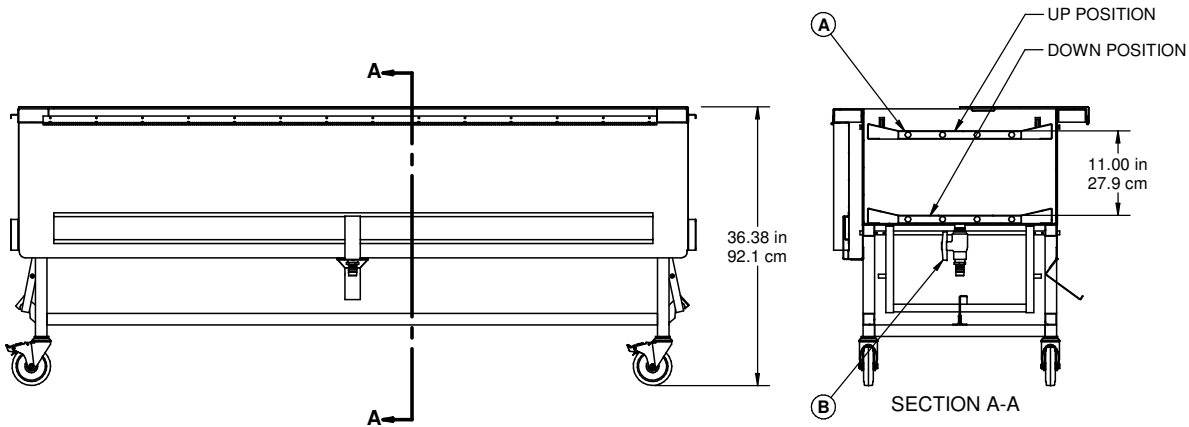
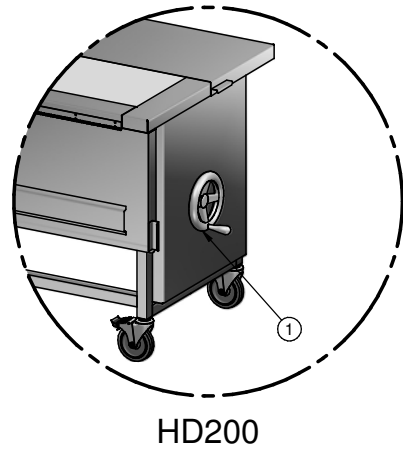
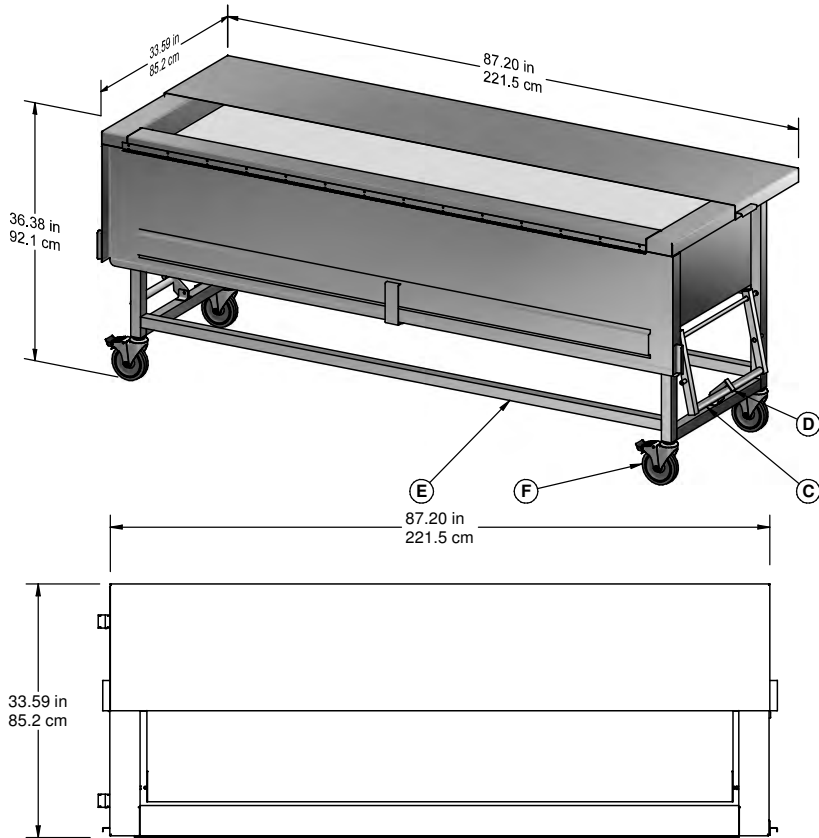
Product No. HD100 - Lever Elevating System

Product No. HD200 - Hand Crank Elevating System

HD100 Optional Features

Description	Product No.
Bridge Style Leg Rests	HO001
Bridge Style Book Holder	HO002
Scale Stand	HO029

HD100 Dissection Dip Tank Table



STANDARD FEATURES:

- A Body Bed
- B PVC Drain Valve
- C Manual Bar Elevation, To Raise Body
- D Manual Bar Elevating Arm Latch (2 Each)
- E Heavy-Duty Cart Frame
- F Caster with Heavy-Duty Swivel Locks and Brakes

HD200 FEATURE:

- 1 Hand Crank Elevation, To Raise Body



HF100 & HF200 Dissection Stations

DR Organ Rinse Station

1

2

3

4

5

6

7

8

9

10

11



Eight compartment sink

This dissecting table allows for multiple dissecting boards to be placed next to each other directly in front of the subdivided long rinse sink. In front of the dissecting boards is an eight compartment trough type sink with removable dividers to allow the separation of organs during the rinsing process.

The combined rinsing and dissecting set-up eliminates transporting wet tissue from a rinsing area to a separate dissecting area. In addition, the removable dividers make it quite simple to enlarge the compartments for rinsing larger organ blocks or even entire autopsy cases whenever extra rinsing space is needed.

HF Series Standard Features

Table Top: 2" recessed construction with four inch high splash and sink well. Made of 14 gauge stainless steel with a #4 satin finish.

Sink Well: Eight compartment sink with removable perforated dividing panels, sloped toward one end. Sink well provided with overflow drain which will accommodate 7" of fluid.

Frame: 1-1/2" heavy-duty square stainless steel tubing with #4 grained finish. Welded construction with adjustable bullet feet.

Faucet with Swing Spout: Hot and cold water fixtures have wrist blade handles and goose neck spouts. Vacuum breaker protected.

HF Series Optional Features

1 HP Disposal	BL800
Hand Spray Rinse	HO007
Scale Stand	HO029

Product No. HF100

Product No. HF200 - Additional large sink and drawers

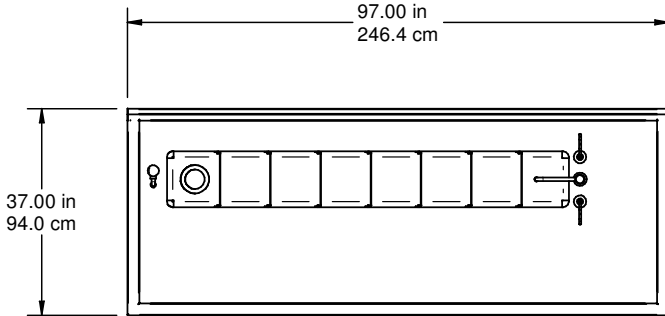
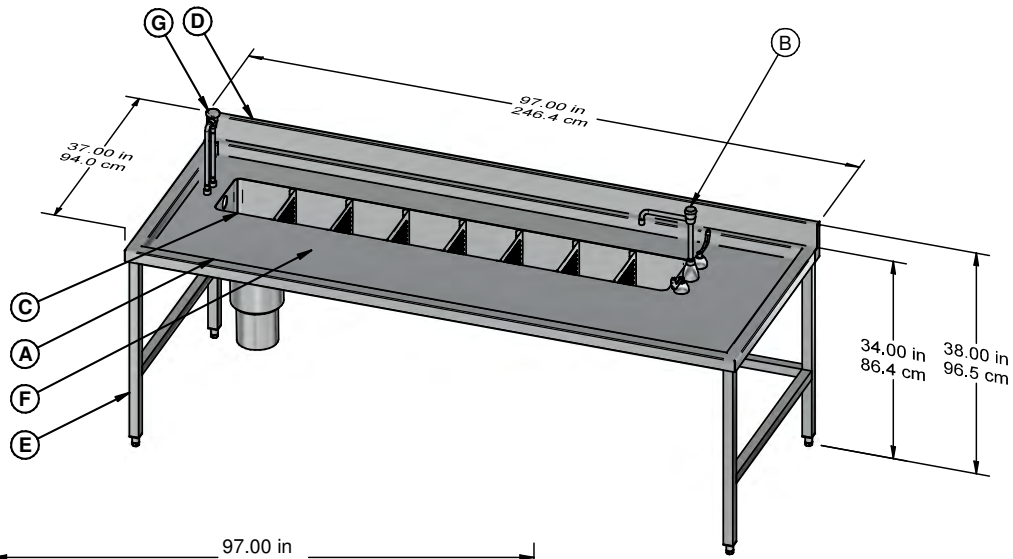


HF200 Subdivided sink with removable dividers



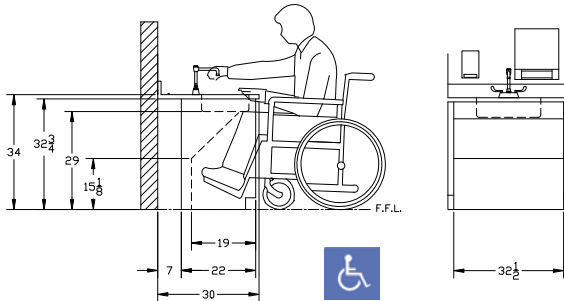
HF100 Dissection Station

DR Organ Rinse Station



STANDARD FEATURES

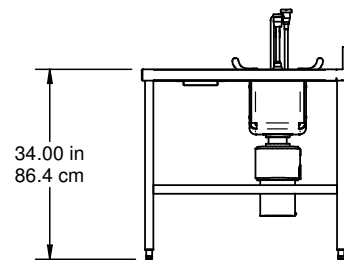
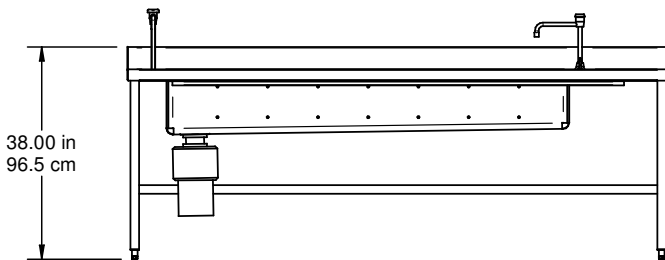
- A Table Top
- B Fixture w/Swing Spout (2)
- C Trough Sink w/dividers
- D 4" Backsplash
- E Leg Frame
- F Cutting Board Work Area
- G Vacuum Breakers



ADA Compliant

OPTIONAL FEATURES

- HO007 Hand Spray
- HO029 Scale Stand
- BL800 1 HP Disposal



1

2

3

4

5

6

7

8

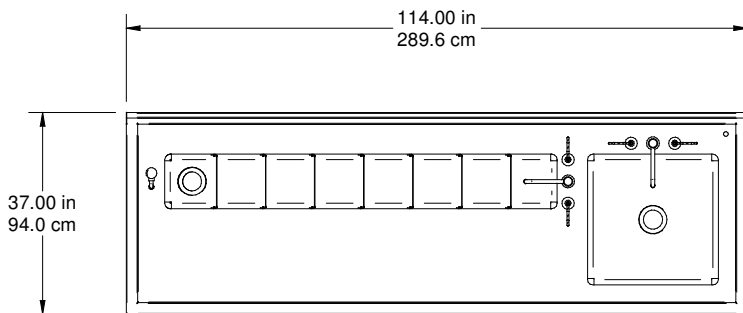
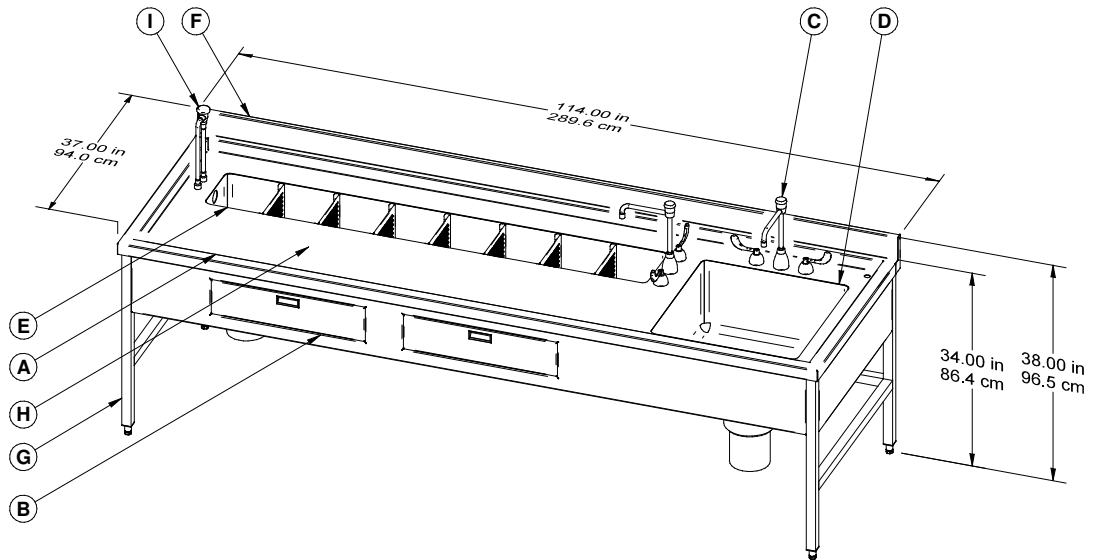
9

10

11

HF200 Dissection Station

- 1
- 2
- 3
- 4
- 5
- 6
- 7
- 8
- 9
- 10
- 11



STANDARD FEATURES

- A Table Top
- B Pull-out Instrument Drawer (2)
- C Fixture w/Swing Spout (2)
- D Deep Well Sink
- E Trough Sink w/dividers
- F 4" Backsplash
- G Leg Frame
- H Cutting Board Work Area
- I Vacuum Breakers

OPTIONAL FEATURES

- HO007 Hand Spray
- HO029 Scale Stand
- BL800 1 HP Disposal

