



Spare parts suitable for:
ELEKTRA

Spare parts suitable for coffee machines



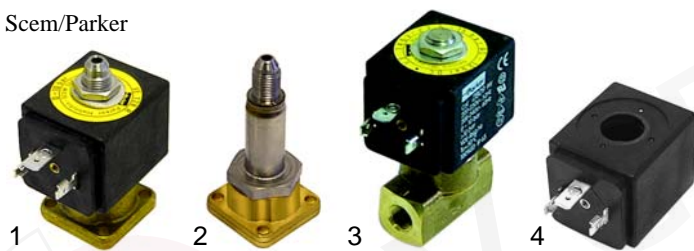
G.E.V. Großküchen-Ersatzteil-Vertrieb GmbH
Robert-Koch-Straße 3a
82152 Planegg/Munich
Germany

Phone: +49 (0)89 745572-0
Fax: +49 (0)89 745572-83
order@gev-online.com
www.gev-online.com

Member of the  **GEV GROUP**

Solenoid valves

Scem/Parker



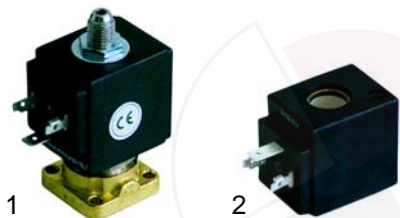
Item	Order	Description
1	370057	cpl., 3 ways, 230V AC
2	370062	Solenoid square base
3	370206	cpl., 1/8", 2 ways, 230V
4	371029	Magnetic coil, 230V

Lucifer



Item	Order	Description
1	370053	cpl., 3 ways, 230V AC
2	370061	Solenoid square base
3	370072	cpl., 1/8", 2 ways, 230V AC
4	371031	Magnetic coil, 230V AC

ODE



Item	Order	Description
1	370203	cpl., 3 ways, 230V AC
2	371150	Magnetic coil, 230V AC

Solenoid valve accessories



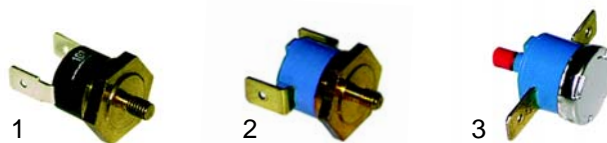
Item	Order	Description
1	371090	Plug/ big
2	371095	O-ring/viton
3	371100	O-ring/Silicon

Pressure switches



Item	Order	Description	Model	OEM
1	541021	Pressure switch, 3 poles		00049035
2	541143	Pressure switch, 1 pole, 1/8"	S1, S1C, SX, SXC	01344035

Thermostats



Item	Order	Description	Model	OEM
1	390128	Contact thermostat, 95°C	Capuccino	00701035
1	390129	Contact thermostat, 125°C	Capuccino	00700035
1	390327	Safety thermostat, 150°C	Capuccino	00702035
2	390153	Safety thermostat, 135°C	P, PC, PG, P1, P1C, P1G	00277035
3	390378	Safety thermostat	S1, S1C, SX, SXC	01194035

Switches, lamps



Item	Order	Description	Model	OEM
1	346004	Main switch, 1 - 2 groups	S1, S1C, SX, SXC, Deliziosa, Compact, Maxi, Extramaxi, P, P1, PC, PG, P1C, P1G	00056035
2	110205	Knob		



Item	Order	Description	Model	OEM
1	346019	Group switch/cpl.	Deliziosa, Compact, Maxi, Extramaxi, P, PC, PCG, P1, P1C, P1G	00746034
2	345722	Switch, 1-pol.		01221035
3	345720	Switch, 2-pol.		01222035



Item	Order	Description	Model	OEM
1	346020	Frame	Deliziosa, Compact,	00740035
2	346031	Turntable	Maxi, Extramaxi,	00380035
3	346032	Push button/Coffee	P, PC, PCG, P1, P1C, P1G	00743073

Switches, lamps



Item	Order	Description	Model	OEM
1	400361	Key push button, DOSTH	Deliziosa, Compact, Maxi, Extramaxi, P, PC, PCG, P1, P1C, P1G	00384035



Item	Order	Description	Model	OEM
1	301001	Switch/red	SX, SXC, S1, S1CO, S1CB,	00492035
2	301060	Switch/red		01603035
3	301038	Switch/green		00632034
3	301039	Switch/red	SX, SXC, SXCD	01607034
4	301040	Switch/green		00631034
4	301044	Push button/green		01606034



Item	Order	Description	Model	OEM
1	400297	Key switch, 1 group	Deliziosa, Compact, Maxi,	00387035
2	400298	Key switch, 2 groups	Extramaxi, P, PC, PCG, P1, P1C, P1G	00388035



Item	Order	Description	Model	OEM
1	359237	Signal lamp/red	S1, S1C, SX, SXC,	00073035
2	359238	Signal lamp/green	Deliziosa, Compact,	01312035
3	359240	Ring/gold-plated	Maxi, Extramaxi,	01311026
4	359242	Ring/chromium-plated	P, PC, PCG, P1, P1C, P1G	01311035

Flowmeter



Item	Order	Description	OEM
1	400004	Flowmeter, 1/4"	
2	400256	Plugs	
3	400257	Flowmeter turbine	
4	400258	Case gasket	

Elements, 2 circuits



Item	Order	Description	OEM
1	400019	RL30/1E-2C/F230V	00189035
2	400214	Level probe, 140mm	00191035



Item	Order	Description	OEM
1	417174	1 group, 2500W/240V	01195035
2	417155	2 groups, 3000W/240V	00127035
3	528171	Element gasket	00499035

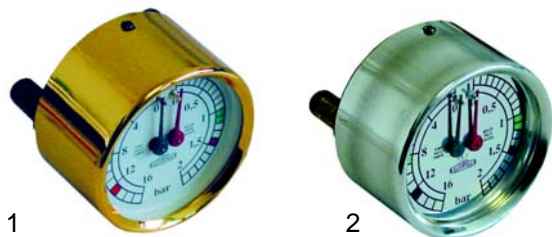


Item	Order	Description	Model	OEM
1	417175	800W/230V	Microcasa	01192035
2	528182	Boiler gasket		01168035

Manometers



Item	Order	Description	Model	OEM
1	541253	Chromium-plated	S1, S1C,	00143035
2	541254	brass	SX, SXC	00398035



Item	Order	Description	Model	OEM
1	541255	Double scale, gold-plated	Compact, Maxi, Extramaxi,	00985026
2	541264	Double scale	P, PC, PG, P1, PIC, PIG	02218035

Valves

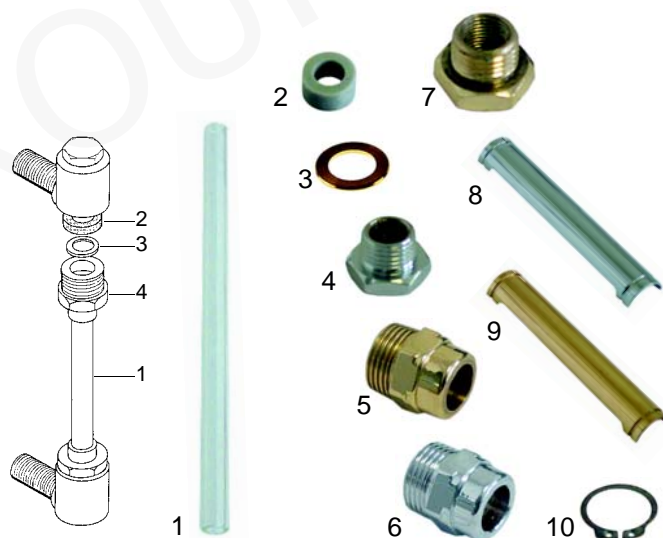


Item	Order	Description	OEM
1	529312	Safety valve, 1,8 bar, 3/8"	01618034
2	529316	Safety valve/sealed, 1,8 bar, 3/8"	
3	529303	Empty valve, 1/4"	00200034
5	529349	Cu-gasket, 3/8"	01172035
6	529361	Cu-gasket, 1/4"	



Item	Order	Description	OEM
1	529340	Non-return valve	00330034
2	529341	Expansion valve	00422034

Level glass

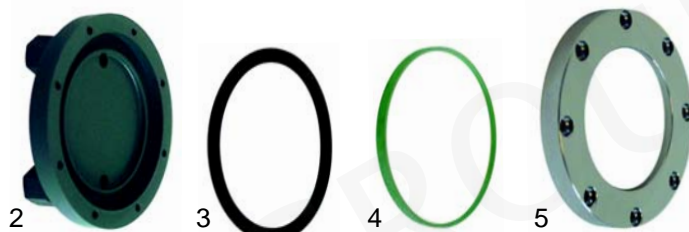


Item	Order	Description	OEM
1	529448	Level glass	00141035
2	529449	Level glass gasket	00119035
3	529450	Press washer	01380035
4	529451	Pipe upper nut/chromium-plated	00041021
5	529452	Pipe upper nut/varnished	00041019
6	529453	Screw/chromium-plated	00142021
7	529454	Screw/varnished	00142019
8	529455	Contactors/chromium-plated	00043021
9	529456	Contactors/varnished	00043019
10	529457	Circlip ring/stainless steel	00044035

Level glass



Item	Order	Description	Model	OEM
1	529458	Level glass/cpl.	P, PC, PG, P1, PIC, PIG	01096039



Item	Order	Description	Model	OEM
2	529459	Bottom part		01025031
3	529460	Gasket	P, PC, PG,	00543035
4	529461	Glass	P1, PIC, PIG	00544035
5	529462	Upper part		00899021

Taps, pipes



Item	Order	Description	Model	OEM
1	529780	Tap/chromium-plated	S1, S1C, SX, SXC	00150021
2	529781	Tap/brass		00150019
3	529782	Button		00154035

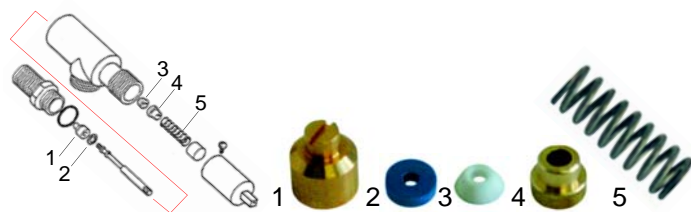


Item	Order	Description	Model	OEM
1	529783	Pipe upper nut/chromium-plated	S1, S1C, SX, SXC	01280021
2	529784	Pipe upper nut/brass		01280019
3	529785	Steam pipe/chromium-plated		00151039
4	529786	Steam pipe/copper		00151038
5	529787	Jet/chromium-plated		00088021
6	529788	Jet/brass		00088019



Item	Order	Description	Model	OEM
1	529811	Tab/cpl. (brass)	P, PC, PG, P1, P1C, P1G	00690038
2	529812	Tab/cpl. (chromium-plated)		00690039
3	529813	Button		01898035
4	529814	Washer		00953030

Mini Deliziosa/compact/verticale



Item	Order	Description	Model	OEM
1	529794	Gasket holder	Compact, Maxi,	00042014
2	529795	Gasket		01245035
3	529796	Gasket/teflon, conical	Extramaxi,	01178035
4	529797	Spring guide	P, PC, PG,	00045014
5	529798	Spring	P1, P1C, P1G	01189035

Pipes



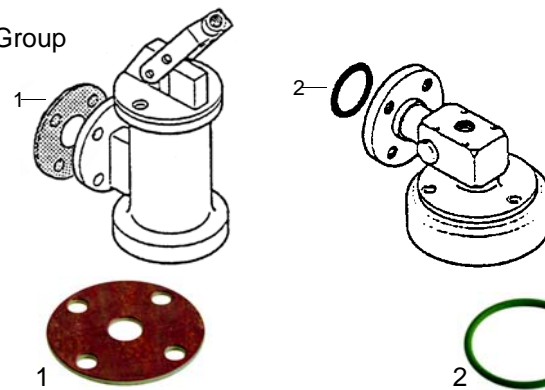
Item	Order	Description	OEM
1	529800	Steam pipe/stainless steel	00469011
2	529801	Jet	00448014
3	529802	Gasket	01888035
4	529803	Spring	01912035
5	529804	Bush	01913014
6	529805	Gasket	01893035
7	529806	Pipe upper nut/chromium-plated	00946021
8	529807	Pipe upper nut/brass	00946019

Group



Item	Order	Description	Model	OEM
1	525005	Lever group/cpl. (chromium-plated)	S1, S1C	00131039
2	525006	Lever group/cpl. (brass)		00131038
3	111160	Lever/chromium-plated		00176039
4	111161	Lever/brass		00176038

Group



Item	Order	Description	Model	OEM
1	529170	Group gasket, old	S1, S1C, SX, SXC, Deliziosa, Compact,	00098035
2	529171	Group gasket, new	Maxi, Extramaxi, P, P1, PC, PG, P1C, P1G	01228035



Item	Order	Description	Model	OEM
3	529173	Spring, new	S1, S1C	00819014
4	529174	Gasket/V-design		00172035
5	529175	Gasket/W-design		00173035
6	529176	Filter holder gasket		00174035



Item	Order	Description	Model	OEM
1	529177	Shower		00175035
2	529178	Filter/1 cup (6g)	S1, S1C, SX, SXC	00164035
3	529179	Filter/2 cups (12g)		00163035

Shower



Item	Order	Description	OEM
1	529194	Dispersion	01252014
2	529193	Shower	01208035
3	529195	Filter holder gasket	01917035

Pipes

Mini Deliziosa, Compact, Verticale



Item	Order	Description	Model	OEM
1	529180	Filter holder/brass		00187019
2	529181	Filter holder/chromium coated		00187021
3	529182	Pin screw	S1, S1C, SX, SXC	00186035
4	529183	Knob/plastic		00469035
5	529184	Nut/brass		01367019
6	529185	Knob/wood		00177014

Filter



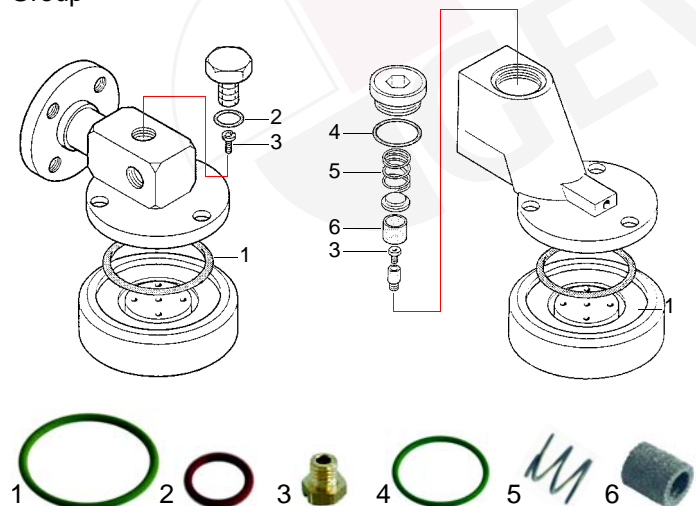
Item	Order	Description	OEM
1	529196	Filter (1 cup/7g)	00065035
2	529197	Filter (2 cups/14g)	00066035
3	529079	Filter holder spring	013040335

Filter holder



Item	Order	Description	OEM
1	529198	Filter holder/chromium-plated	00061021
2	529199	Filter holder handle	01897035

Group



Item	Order	Description	OEM
1	529186	Bell gasket/viton	01204035
2	529187	Gasket	01386035
3	529188	Jet, 0,9mm	01336014
4	529190	Gasket	01228035
5	529191	Spring	01242035
6	529192	Filter	00111035

Spouts

Mini Deliziosa, Compact, Verticale



Item	Order	Description	OEM
1	529003	Spout 3/8", one way curved	01308021
2	529007	Spout 3/8", two way short	
3	529161	Spout 3/8", two way, regulable	00064021

Notes

Lined area for writing notes, containing a large, faint watermark of the GEV GROUP logo.

G.E.V. Großküchen-Ersatzteil-Vertrieb GmbH
Robert-Koch-Straße 3a
82152 Planegg/Munich
Germany

Phone: +49 (0)89 745572-0
Fax: +49 (0)89 745572-83
order@gev-online.com
www.gev-online.com

Member of the  **GEV GROUP**

P020401201

