



Power-Lock Fastener

Part. N° 21.1018



APPLICATIONS/FEATURES

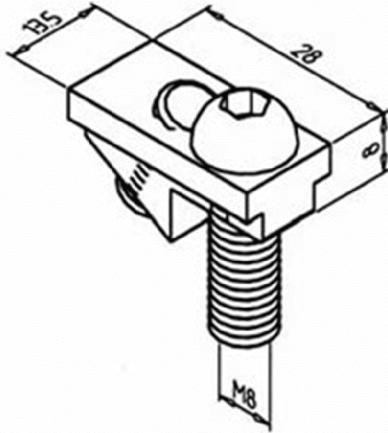
- Adjustable. Loosen the 4mm set screw to reposition

- No drilled access hole required

- Angled set screw much easier to access than fasteners with screws deep in the t-slot

- Set screw deflects head of M8x25 screw, giving a lock washer effect & helping prevent vibration loosening

- Teeth in body grip the profile for greater strength against shear loads



TECHN. DATA / ITEMS SUPPLIED

- Power-Lock body, zinc plated steel

- 1 M8x25 button head screw

- 1 M8 x 16 set screw

- Stainless Power-Lock 21.1018/1

- ESD Power-Lock 21.1393

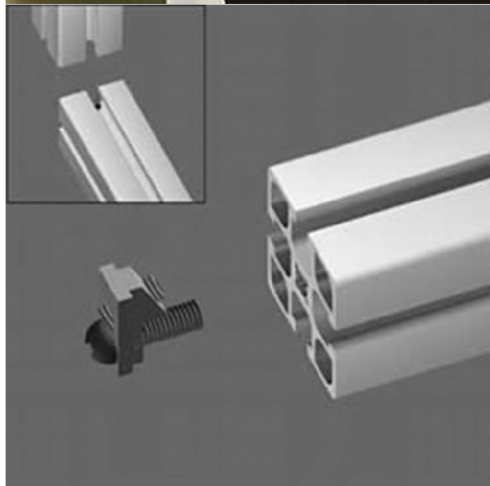
- Power-Lock Fastener SF 21.0818
(Uses self tapping T40 torx head screw)

- Weight - .029 kg

EL

News

Electrolux
Macedonia
Palenzo



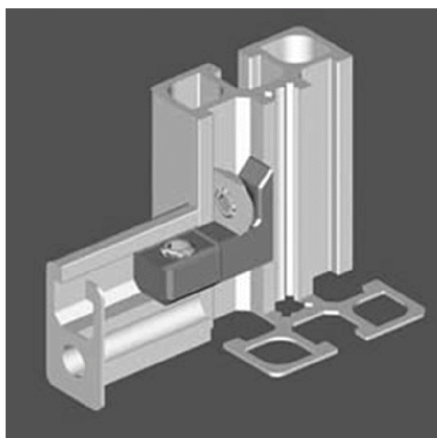
ASSEMBLY

- Screw into profile centerhole
- Slide Power-Lock into opposing t-slot
- Tighten angled set screw with 4mm hex key
- Recommended locking torque 12Nm



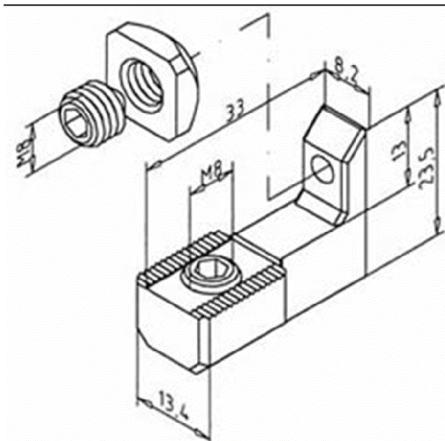
Power-Lock Fastener N

Part. N° 21.0918



APPLICATIONS

- For all MiniTec profiles
- Works in all t-slots
- Use when sliding a fastener in from the end isn't practical
- For profiles bigger than 45x45 multiple fasteners can be used



EL

News

Ελεγκτική
Electrolux
Macedonia
Palenzo

TECHN. DATA / ITEMS SUPPLIED

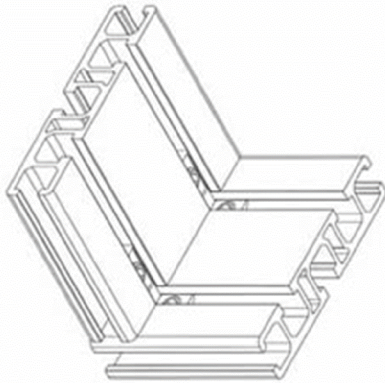
- Power-Lock N body, zinc plated steel

- M8 x 10 set screw

- M8 x 8 set screw

- M8 square nut 21.1351

- Weight - .034 kg



ASSEMBLY

- Slide Power-Lock N into t-slot

- Place profiles in desired position

- Slide Power-Lock N into opposing slot

- Slide M8 square nut over L-shaped end

- Tighten M8x8 set screw

- Tighten captive M8x10 set screw

- Recommended torque for both screws 10 Nm



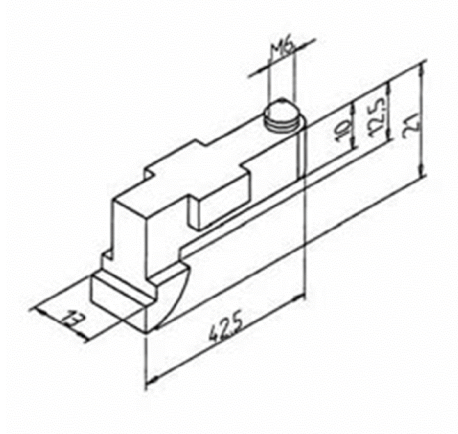
Cross Connector

Part. N° 21.0006



APPLICATIONS

- For use with all MiniTec profiles
- Right angle face to face connections
- For profiles larger than 45x45 several fasteners can be used



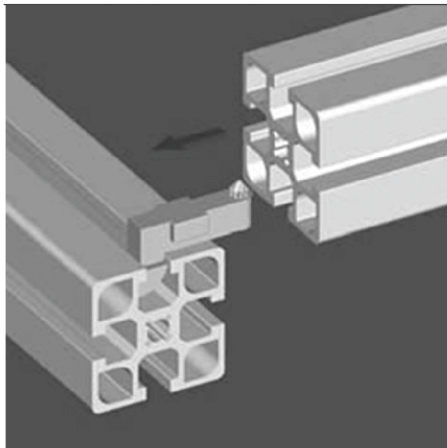
TECHN. DATA / ITEMS SUPPLIED



- Cross connector body, zinc plated steel

- M6x16 set screw installed

- Weight - .04 kg



ASSEMBLY

- Rotate connector into t-slot at right angle

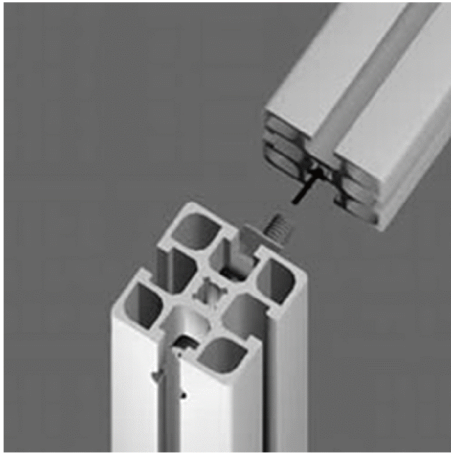
- Slide into parallel t-slot

- Tighten M6x16 set screw

- Recommended locking torque 10Nm

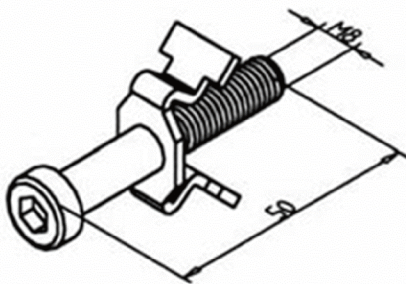
Screw Connection 45

Part. N° 21.1017



APPLICATIONS

- Right angle connections that must be secured against dislocation



TECHN. DATA / ITEMS SUPPLIED

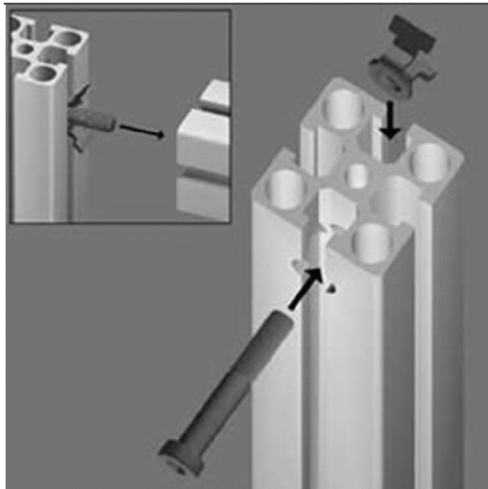
- M8 x 50 socket head cap screw, zinc plated

- Anti-rotation device



- Weight

- .03 kg



ASSEMBLY

- Thread center hole M8x1.25 25mm deep

- Counter bore profile $\varnothing 9 \times 15$

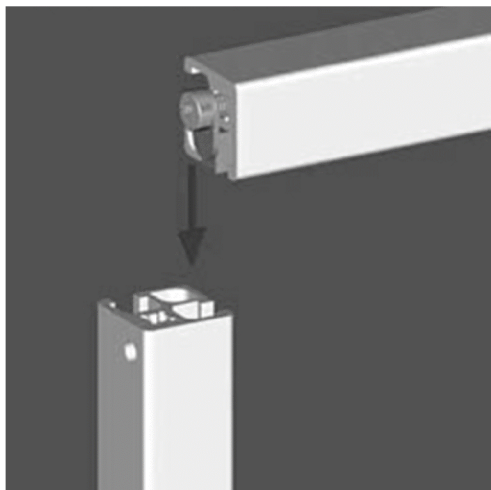
- Insert anti-rotation device into t-slot & put screw through bore and element

- Tighten screw into threaded profile

- Recommended locking torque 20 Nm

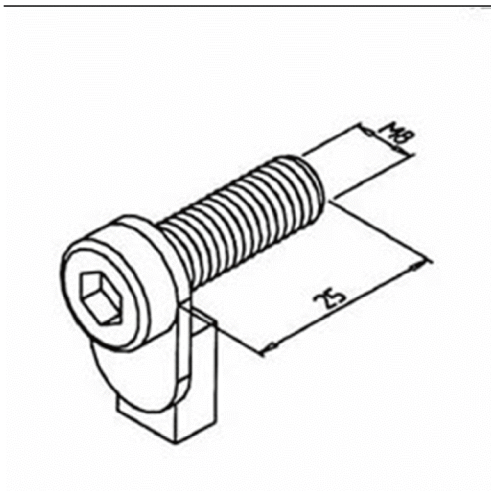
Screw Connection 32

Part. N° 21.1386



APPLICATIONS

- Right angle connection for profiles series 19 & 32



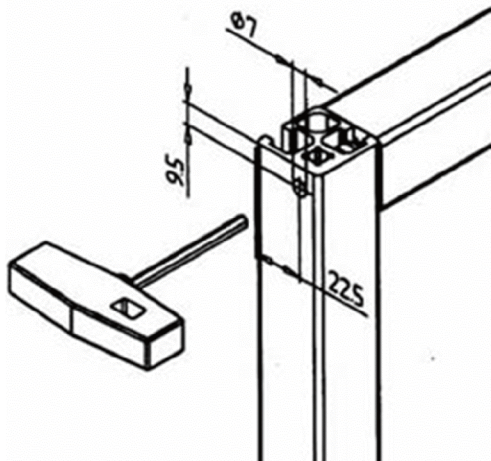
TECHN. DATA / ITEMS SUPPLIED

- M8x25 socket head cap screw, zinc plated



- Anti-rotation device

- Weight - .012kg



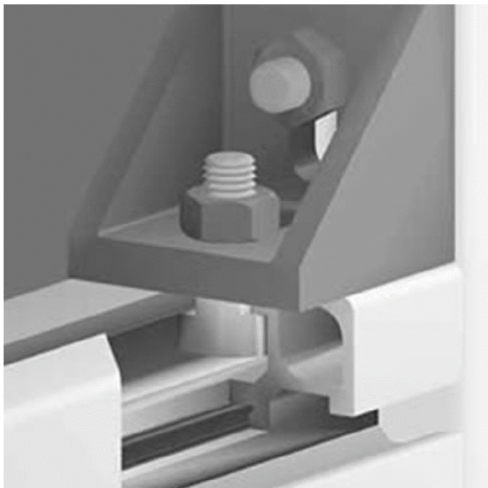
ASSEMBLY

- Form tap profile end M8x1.25, 25mm deep
- Drill 7mm access hole in opposing profile
- Insert screw through anti-rotation device & slide into profile
- Recommended locking torque 20 Nm



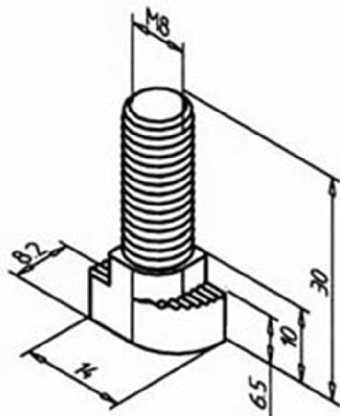
Hammer Head Screw

Part. N° 21.1370



APPLICATIONS

- For applications where it is more convenient to tighten a nut outside the t-slot



TECHN. DATA / ITEMS SUPPLIED

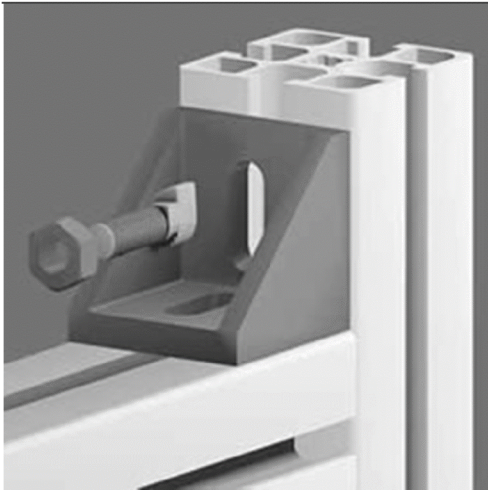
- Steel zinc plated



- Nut not included

- Weight

- .012 kg



ASSEMBLY

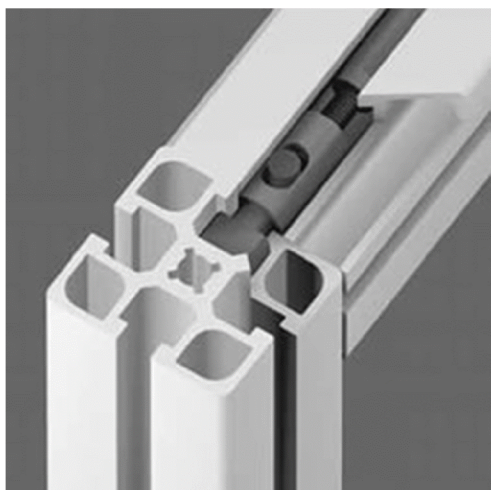
- Place hammer head screw into t-slot & rotate

- Tighten nut



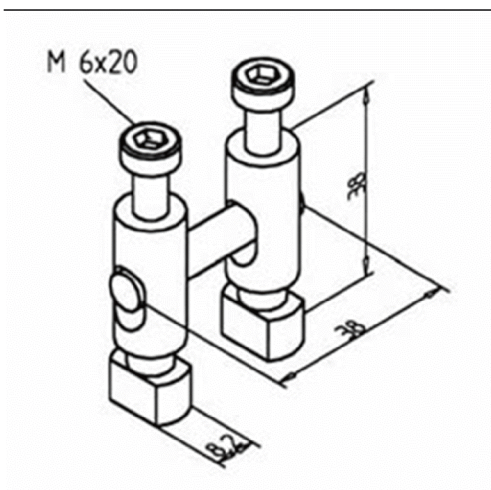
Cross Bolt Fastener

Part. N° 21.1036



APPLICATIONS

- Subsequent fitting of profiles



TECHN. DATA / ITEMS SUPPLIED

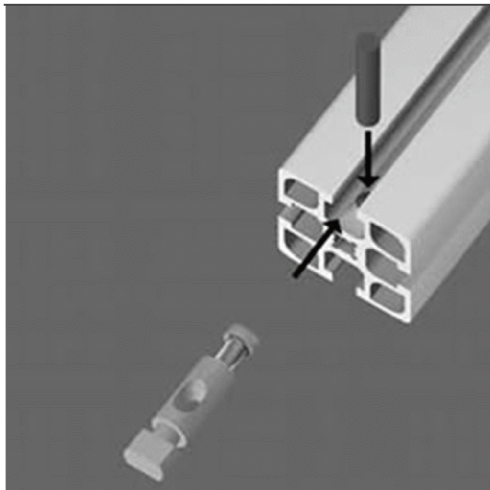
- 2 stretch connectors with M6x20 screws installed



- 1 cross bolt \varnothing 7mm

- Weight

- .067kg



ASSEMBLY

- Drill \varnothing 7.5mm hole, 12mm from profile end

- Insert stretch connectors into profile grooves & cross bolt through connectors

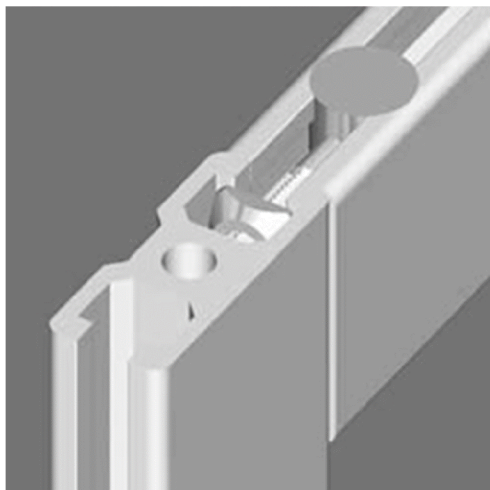
- Pre-tighten the screws with ball headed hex key

- Perform final tightening with L-key



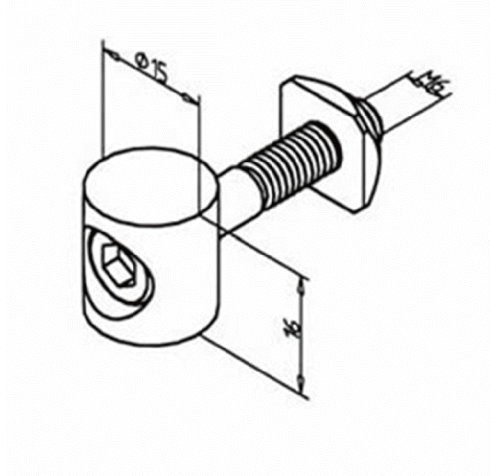
Bolt Fastener 15

Part. N° 21.1024



APPLICATIONS

- For fastening profiles 19 and 32
- Particularly useful for subsequent mounting profiles to already existing frames



TECHN. DATA / ITEMS SUPPLIED

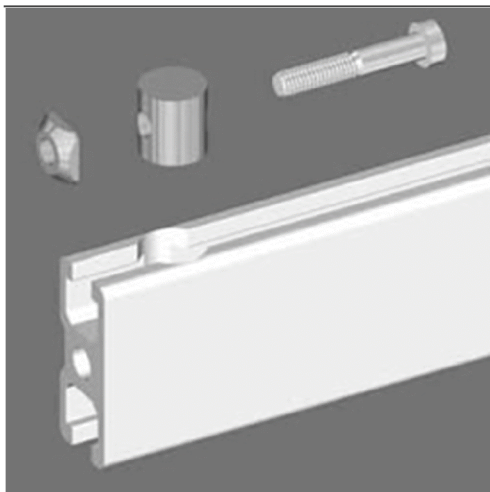


- Ø15mm Dia. aluminum barrel, anodized

- M6x35 Socket head cap screw

- M6 square nut

- Weight - .032 kg



ASSEMBLY

- 15mm bore, 16mm deep, 22.5mm from profile end

- Pretighten screw with ball head hex key 4

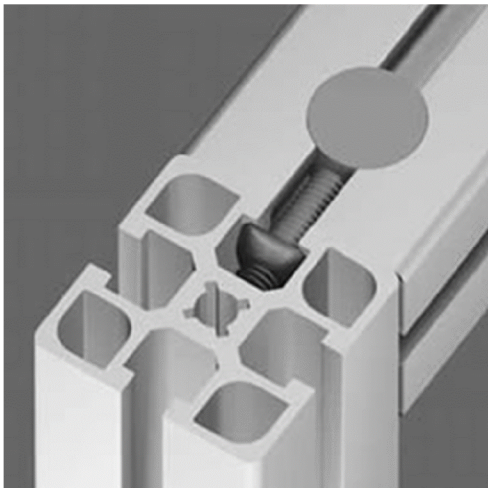
- Final tightening with L-key 4

- Recommended locking torque 15 Nm



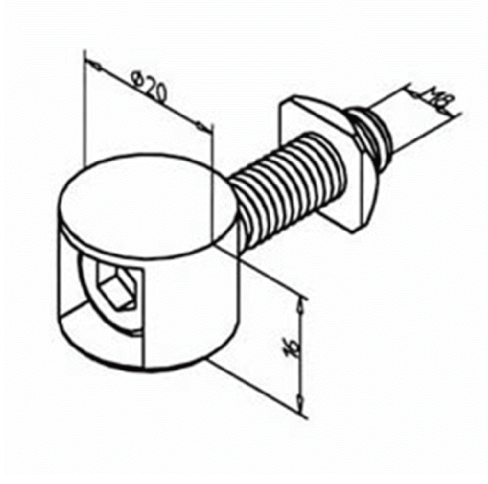
Bolt Fastener 20

Part. N° 21.1021



APPLICATIONS

- Particularly useful for subsequent attachment of profiles to existing frames



TECHN. DATA / ITEMS SUPPLIED

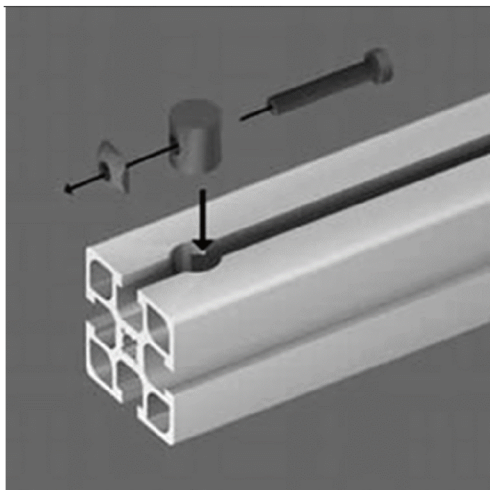
- Ø20mm Dia. steel barrel, zinc plated



- M8x35 socket head cap screw

- M8 square nut

- Weight - .037 kg



ASSEMBLY

- Ø20mm dia bore, 16mm deep, 22.5mm from profile end

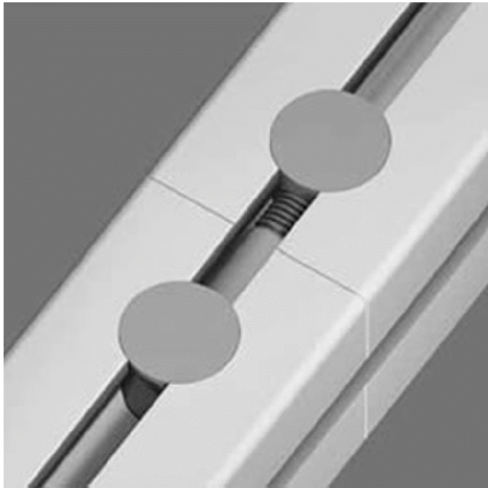
- Pretighten with ball head hex key 5

- Final tightening with L-key 5

- Recommended tightening torque 15 Nm

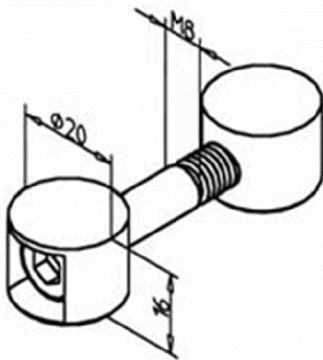
Butt Fastener

Part. N° 21.1020



APPLICATIONS

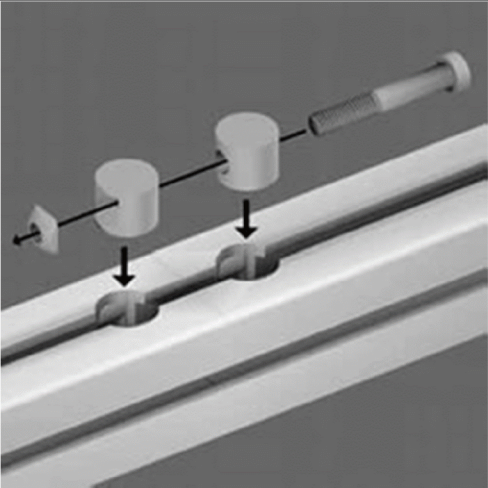
- End to end butt joints
- Profile extension
- Often used in conjunction with t-slot bars





TECHN. DATA / ITEMS SUPPLIED

- Qty 2, Ø20mm Dia. steel barrels, zinc plated
- M8x50 socket head cap screw
- M8 square nut
- Weight - .045 kg



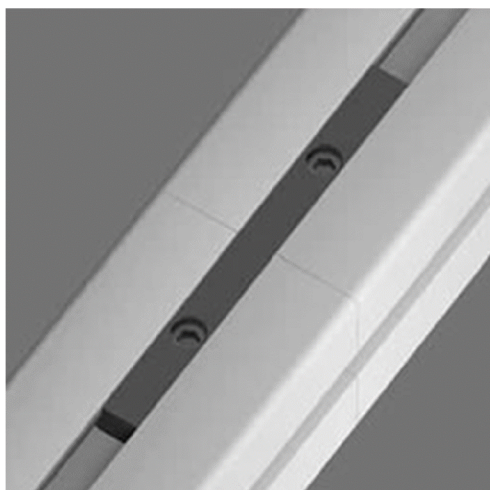
ASSEMBLY

- bore both profiles Ø20mm, 16mm deep, 22.5mm from end
- Pretighten with ball head hex key 5 A/F
- Final tightening with L-key 5A/F
- Recommended locking torque 15 Nm



T-Slot Bar 90

Part. N° 21.1029



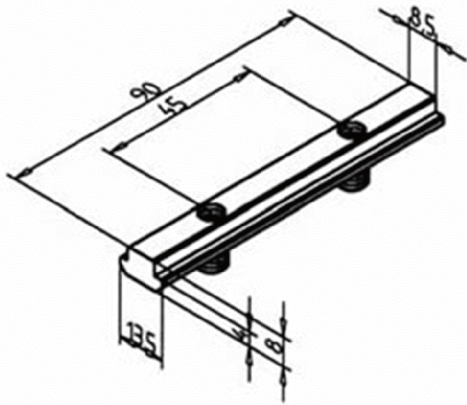
APPLICATIONS

- End to end but joint of profiles

- Profile extension

- Bar is a pressure fit in t-slot assuring accurate profile alignment

- Replace set screws with Fixing Kits LRE & LRK to mount Linear Bearings LR12



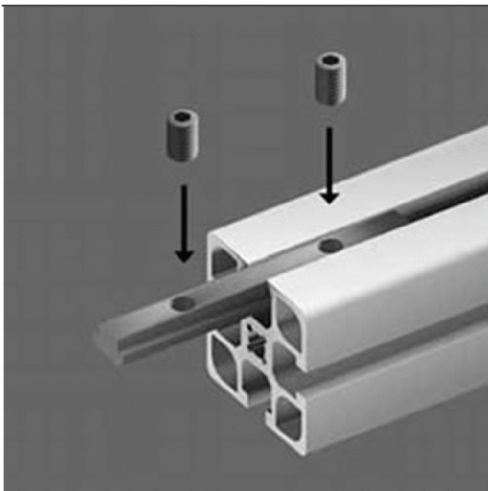
TECHN. DATA / ITEMS SUPPLIED

- 90mm long steel T shaped bar, zinc plated

- 2 set screws M8x14

- Stainless version 21.0992

- Weight - .06 kg



ASSEMBLY



- No machining required

- Insert in both profile grooves and position

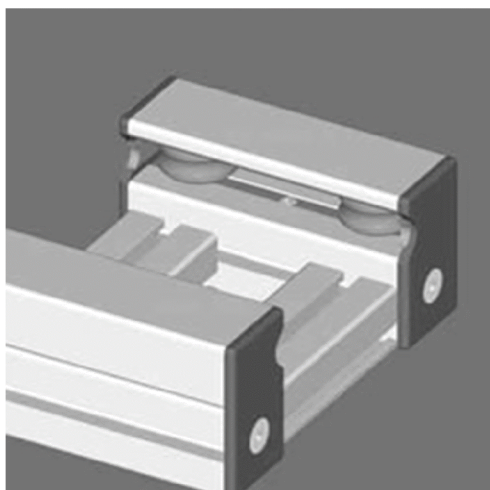
- Tighten set screws to drive bar to t-slot top

- Forces magnify for butt joints. Use multiple t-slot bars to ensure a rigid connection



T-Slot Bar 135

Part. N° 21.0988



APPLICATIONS

- End to end but joint of profiles

- Profile extension

- Bar is a pressure fit in t-slot assuring accurate profile alignment

- Replace set screws with Fixing Kits LRE & LRK to mount Linear Bearings LR12



- No machining required

- Insert in both profile grooves and position

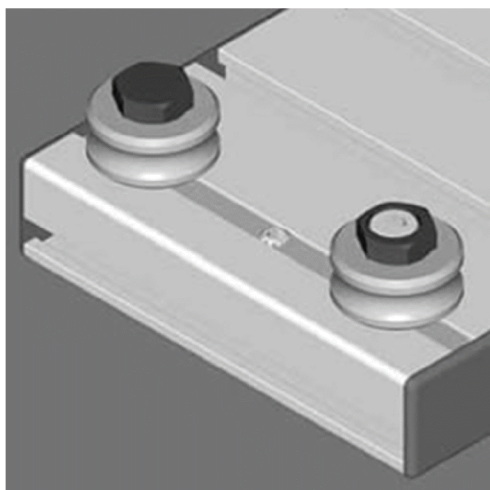
- Tighten set screws to drive bar to t-slot top

- Forces magnify for butt joints. Use multiple t-slot bars to ensure a rigid connection



T-Slot Bar 140

Part. N° 28.0026



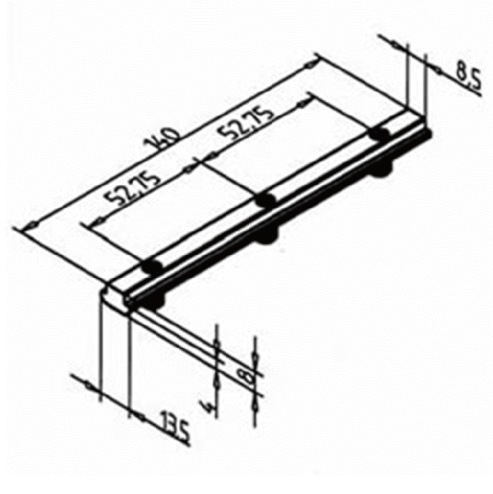
APPLICATIONS

- End to end but joint of profiles

- Profile extension

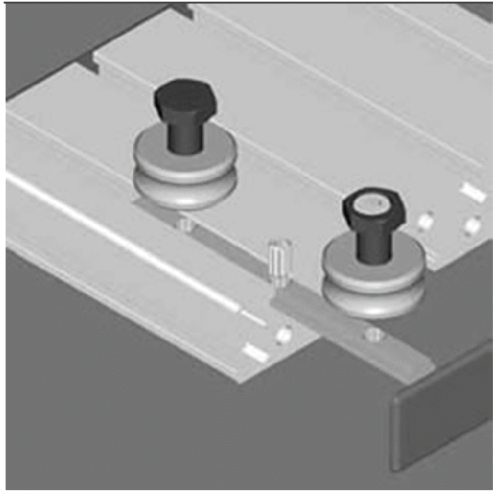
- Bar is a pressure fit in t-slot assuring accurate profile alignment

- Replace set screws with Fixing Kits LRE & LRK to mount Linear Bearings LR12



TECHN. DATA / ITEMS SUPPLIED

- 140mm long steel T shaped bar, zinc plated
- 3 set screws M8x14
- Stainless version 28.0030
- Weight - .094 kg



ASSEMBLY



- No machining required

- Insert in both profile grooves and position

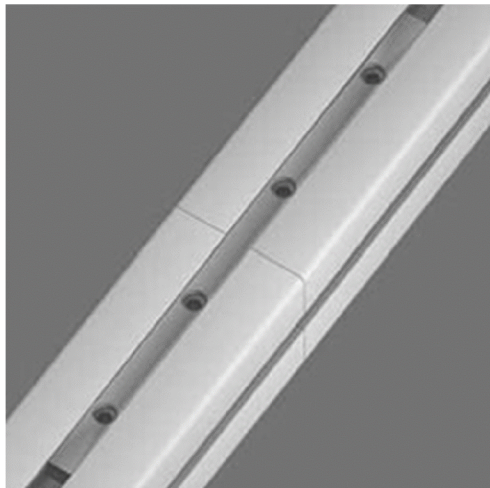
- Tighten set screws to drive bar to t-slot top

- Forces magnify for butt joints. Use multiple t-slot bars to ensure a rigid connection



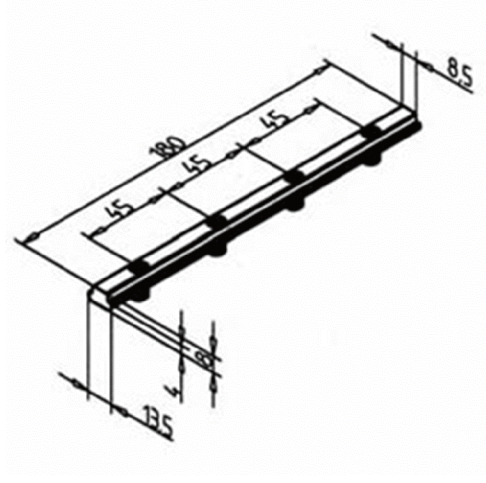
T-Slot Bar 180

Part. N° 21.1101



APPLICATIONS

- End to end but joint of profiles
- Profile extension
- Bar is a pressure fit in t-slot assuring accurate profile alignment
- Replace set screws with Fixing Kits LRE & LRK to mount Linear Bearings LR12



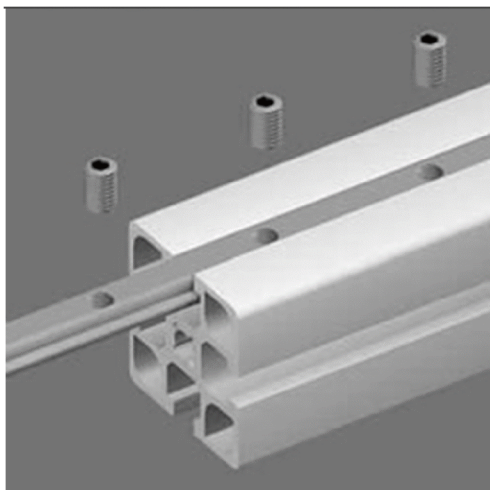
TECHN. DATA / ITEMS SUPPLIED

- 180mm long steel T shaped bar, zinc plated

- 4 set screws M8x14

- Stainless version 21.0986

- Weight - .12 kg



ASSEMBLY



- No machining required

- Insert in both profile grooves and position

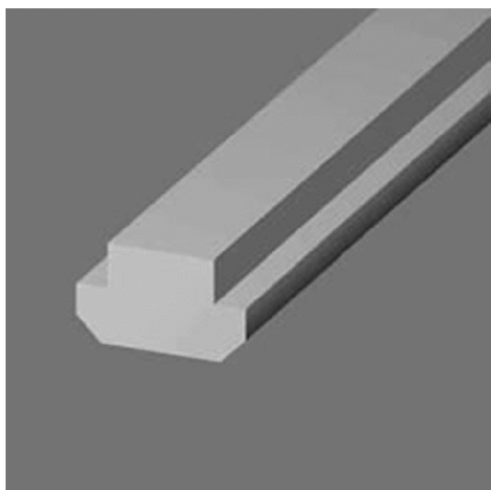
- Tighten set screws to drive bar to t-slot top

- Forces magnify for butt joints. Use multiple t-slot bars to ensure a rigid connection



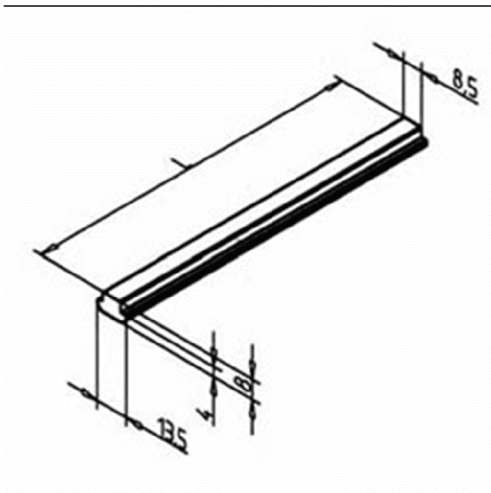
T-Slot Bar Profile

Part. N° 21.1030



APPLICATIONS

- Butt connections requiring special lengths or hole patterns



TECHN. DATA / ITEMS SUPPLIED

- Steel, no finish



- Set screws sold separately

- Stainless version Part # 21.1030/1

- Length 3 meters

- Weight - .68 kg/m

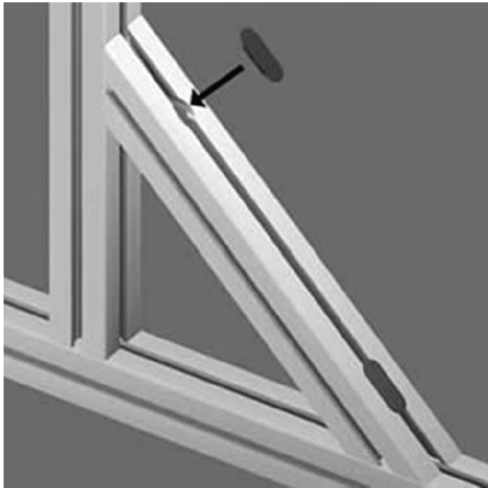
ASSEMBLY

- Fix to profile using M8x14 set screws 21.1303



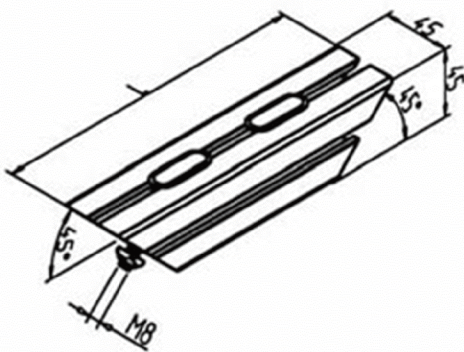
Strengthening Element 45

Part. N° 21.1761



APPLICATIONS

- Reinforcement of right angle joints
- Lengths from 6" to 6' available upon request



TECHN. DATA / ITEMS SUPPLIED

- 20.1006 45x45 Profile L = 360mm (14.17")



(Other lengths available on request)

- 2 M8x35 socket head caps screws

- 2 M8 square nuts with position fixing

- End Cap GL 22.1208/1 sold separately

- For lengths other than 360mm use part # 21.1761/C & specify L

- Weight - .87kg



ASSEMBLY

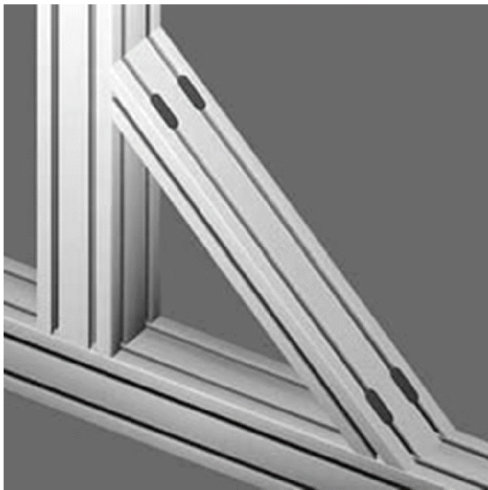
- Insert square nuts into t-slots

- Recommended locking torque 20 Nm



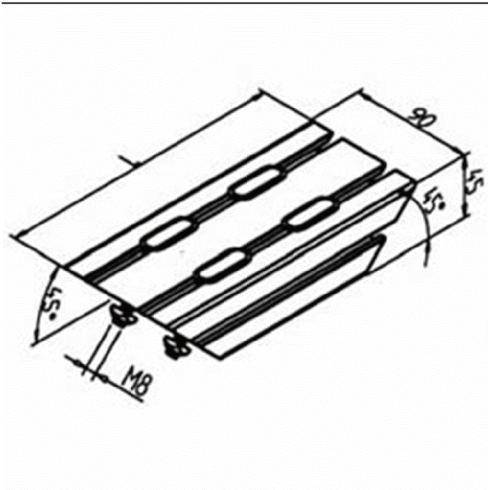
Strengthening Element 90

Part. N° 21.1762



APPLICATIONS

- Reinforcement of right angle joints
- Lengths from 6" to 6' available upon request



TECHN. DATA / ITEMS SUPPLIED

- 20.1009 45x90 Profile L = 360mm (14.17")



(Other lengths available on request)

- 4 M8x35 socket head caps screws

- 4 M8 square nuts with position fixing

- End Cap GL 22.1208/1 sold separately

- - For lengths other than 360mm use part # 21.1762/C & specify L

- Weight - .87kg



ASSEMBLY

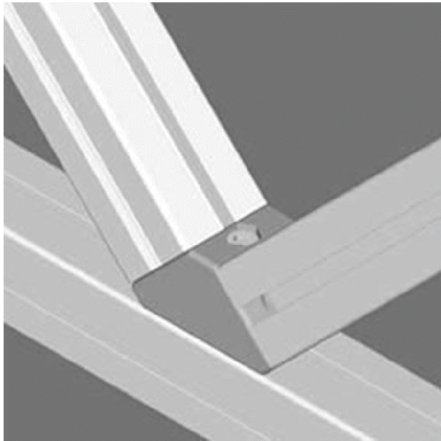
- Insert square nuts into t-slots

- Recommended locking torque 20 Nm



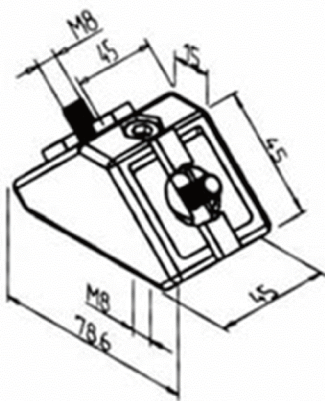
Brace Socket 45 GD

Part. N° 21.1729



APPLICATIONS

- Bracing for trusses
- Making strengthening elements without mitering & machining



TECHN. DATA / ITEMS SUPPLIED

- Cast aluminum angle, powder coated gray



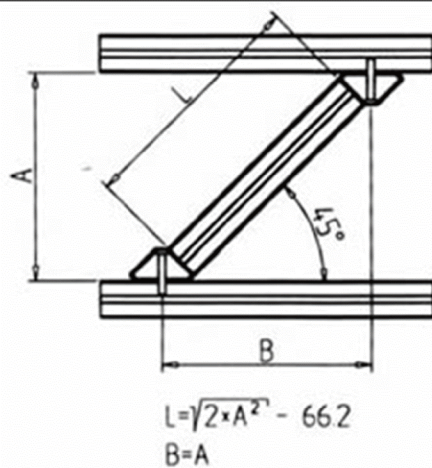
- 3 anti-rotation devices

- 2 M8x22 socket head cap screws

- 1 M8x45 socket head cap screw

- 1 M8 square nut

- Weight - .261 kg



ASSEMBLY

- Thread profile end holes using M8 forming tap 26.1082

- Insert anti-rotation devices and connect to the ends of both profiles using the M8x22 screws

- Press square nut into t-slot of remaining member & insert M8x45 shcs

- Recommended locking torque 20 Nm



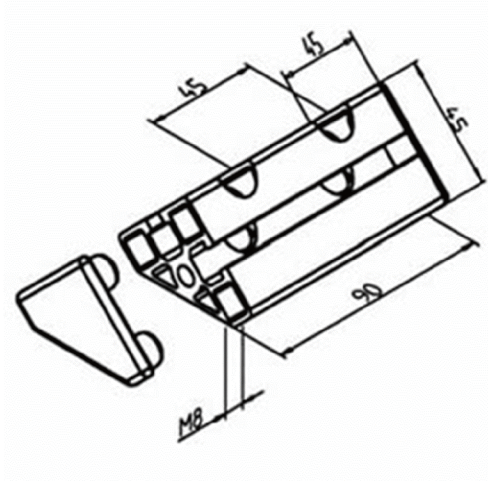
Brace Socket 45°/90

Part. N° 21.1727



APPLICATIONS

- Trusses and mitered bracing
- Use when attaching brace socket needs to be attached to frame & angled supports in either order



TECHN. DATA / ITEMS SUPPLIED



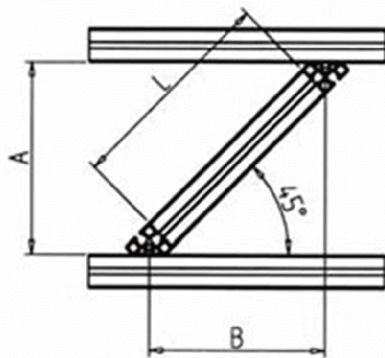
- Aluminum profile 45/45° Part#20.1029

- 2 End caps gray

- 2 M8x22 socket head cap screws

- 2 M8 square nuts

- Weight - .175 kg



$$L = \sqrt{2 B^2} - 45$$
$$B = A - 18,6$$

ASSEMBLY

- Attach to main frame using M8x22 screws & M8 square nuts (supplied)

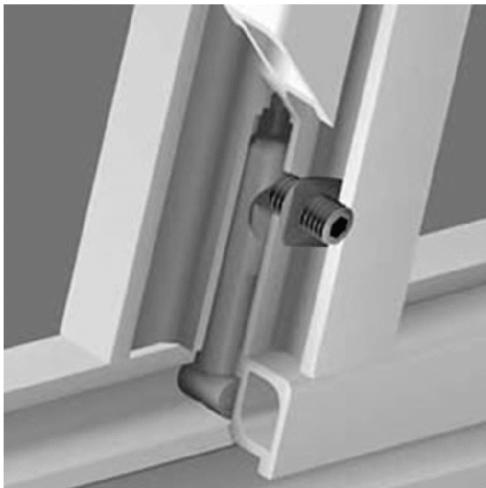
- Attached aluminum profile using Power-Lock [21.1018](#) (Sold separately)

- Available in 45mm lengths upon request



Miter Connector N

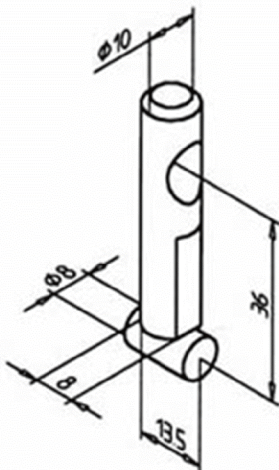
Part. N° 21.1401



APPLICATIONS

- End to side miter connections

- For joining profiles with t-slots in the same plane. For t-slots at 90° use c'bore & screw approach of the strengthening elements

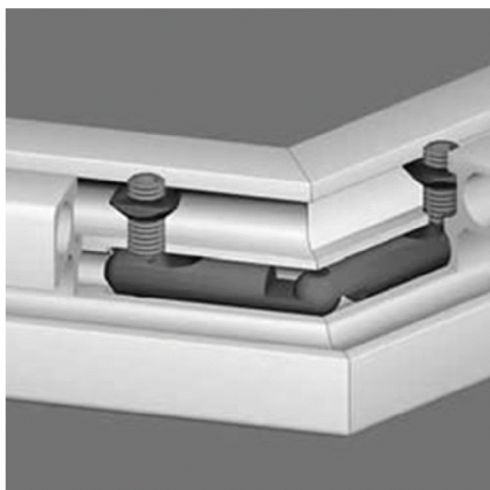


TECHN. DATA / ITEMS SUPPLIED



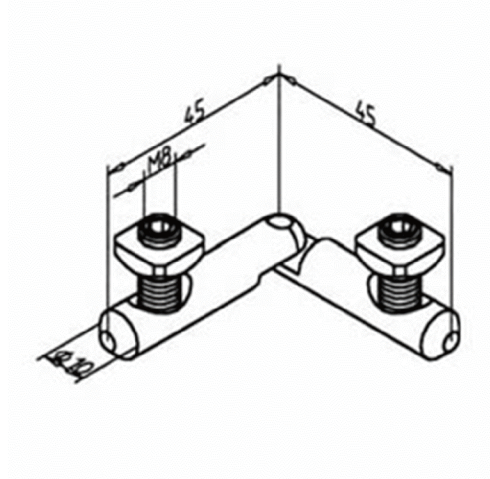
Miter Connector

Part. N° 21.1400



APPLICATIONS

- End to end miter connections
- Additional machining required if set screws mounted 90 degrees from drawing above

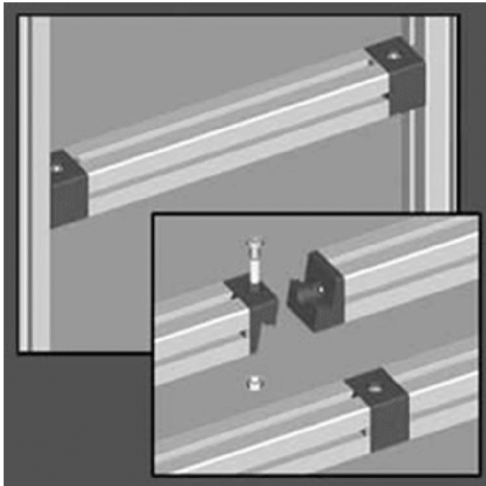


TECHN. DATA / ITEMS SUPPLIED



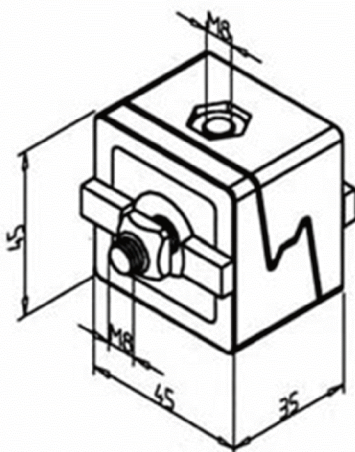
Mounting Bracket 45

Part. N° 21.1411



APPLICATIONS

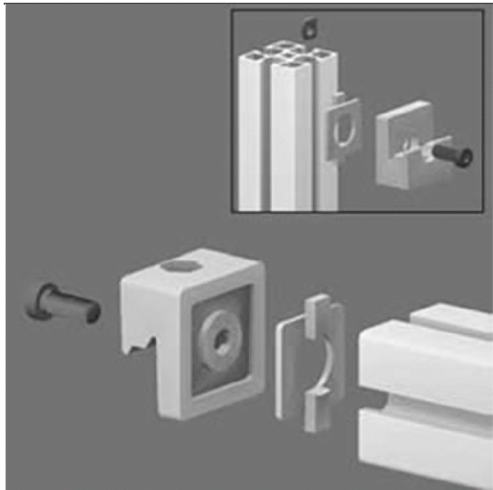
- End to end or end to face connections
- Removeable attachments
- Convenient for mounting profiles to existing frames





TECHN. DATA / ITEMS SUPPLIED

- 2 cast aluminum blocks, Powercoated gray
- 2 anti-rotation devices
- 2 M8x16 socket head cap screws
- 1 M8 x 35 socket head cap screw
- 2 M8 square nuts
- 1 M8 hex nut
- Weight - .426 kg



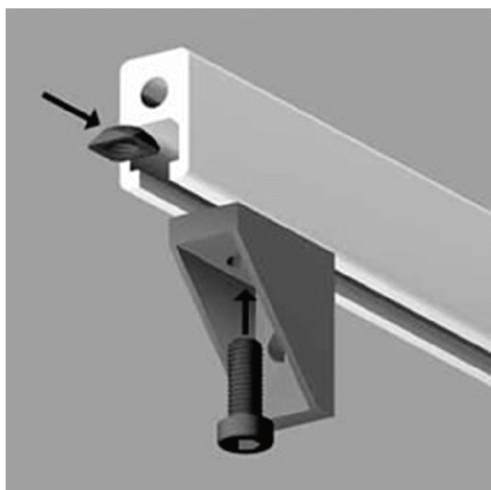
ASSEMBLY

- Both halves are the same
- Form tap profile center hole M8 for end connection
- Attach to square nut in t-slot for side connections
- Recommended locking torque 20 Nm



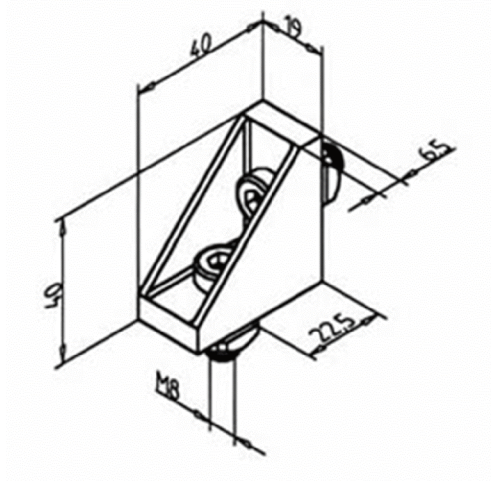
Angle 19 GD

Part. N° 21.1107



APPLICATIONS

- Connection of profiles 19 and 32
- Subsequent fitting of profiles to existing structures



TECHN. DATA / ITEMS SUPPLIED



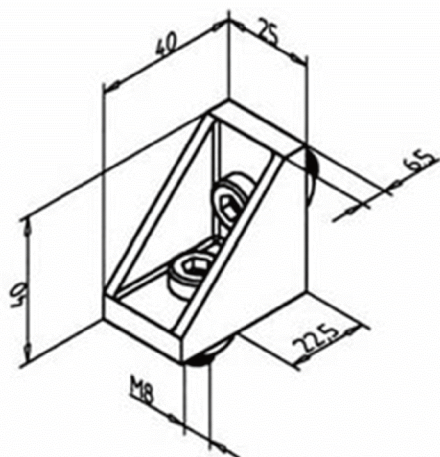
Angle 25 GD

Part. N° 21.1102



APPLICATIONS

- Connection of profiles at right angles
- Attaching of table tops to MiniTec frames



TECHN. DATA / ITEMS SUPPLIED



Angle 25 S

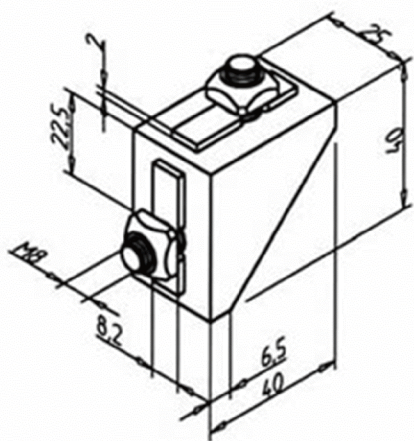
Part. N° 21.1134



APPLICATIONS

- Connection of profiles 19 and 32
- Subsequent fitting of profiles to existing structures

Alignment & anti twist tabs protect against torsion





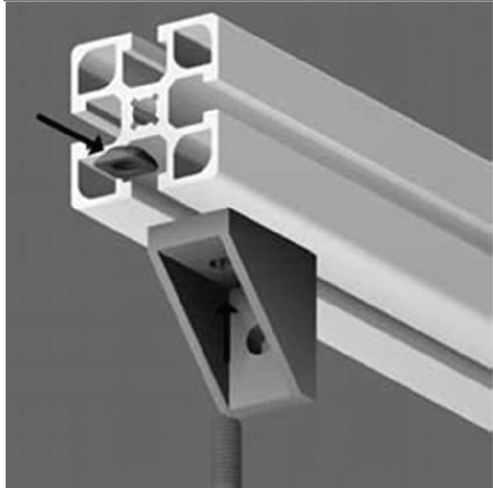
TECHN. DATA / ITEMS SUPPLIED

- Aluminum angle powdercoated gray

- 2 M8x20 socket head cap screws

- 2 M8 square nuts

- Weight - .066 kg



ASSEMBLY

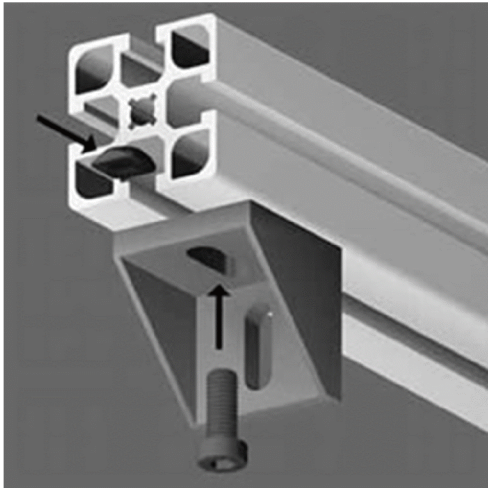
- 22.5mm hole allows the angle to join profiles in a number of ways

- Recommended locking torque 20 Nm



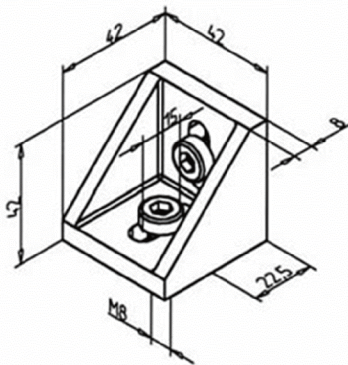
Angle 45 GD

Part. N° 21.1133



APPLICATIONS

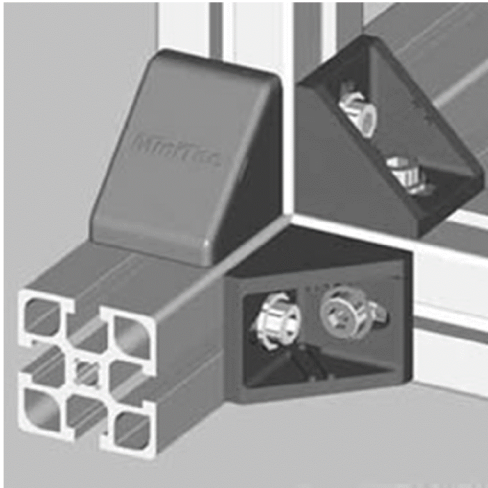
- Particularly useful for subsequent mounting of profiles to existing constructions
- Can be used over a Power-Lock to stiffen joint
- Mounting of table tops and panels to MiniTec frames
- Slot makes it easier to mount enclosures and fixtures to optical breadboards





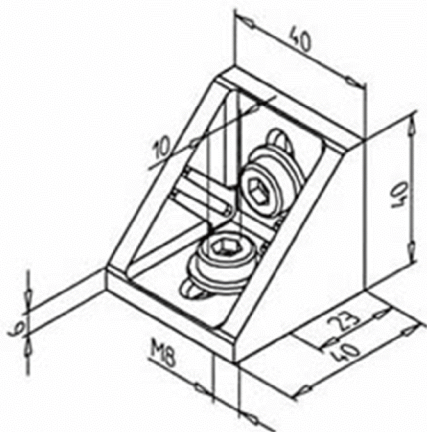
Angle 45 GD-Z

Part. N° 21.1349



APPLICATIONS

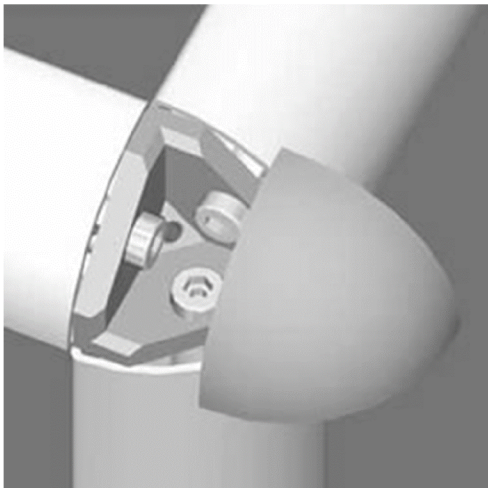
- Particularly useful for subsequent mounting to existing structures
- Mounting of table tops and panel elements
- Can be used over a Power-Lock to stiffen joint





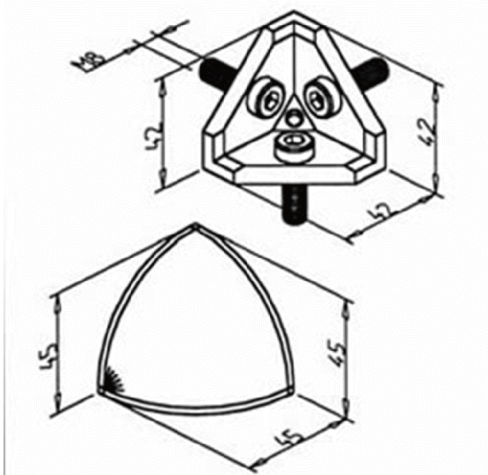
Angle 45 R 90°

Part. N° 21.1710/1



APPLICATIONS

- Three way corner for profile 45 R 90°, Part # 20.1069
- Decorative look for showcases enclosures and displays



TECHN. DATA / ITEMS SUPPLIED

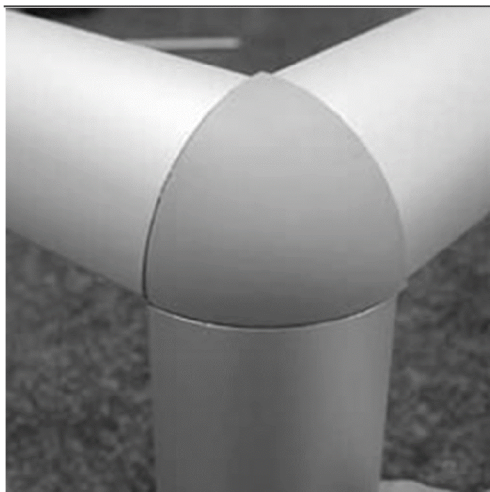


- Cast aluminum triangular bracket

- 3 M8x25 socket head cap screws

- 1 rounded plastic end cap

- Weight - .063 kg



ASSEMBLY

- Tap center hole of profile with M8 Forming Tap 26.1082

- Secure bracket to all three profiles

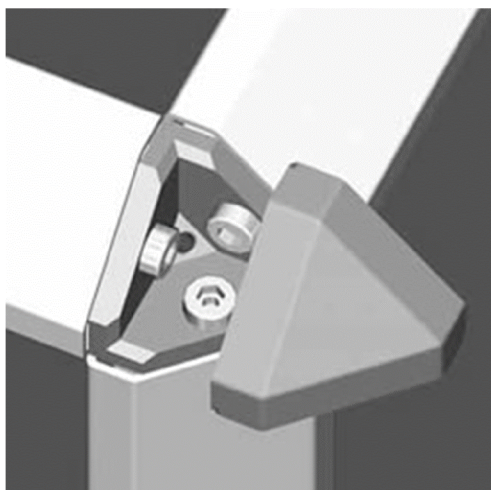
- Snap on plastic cap

- Recommended locking torque 20 Nm



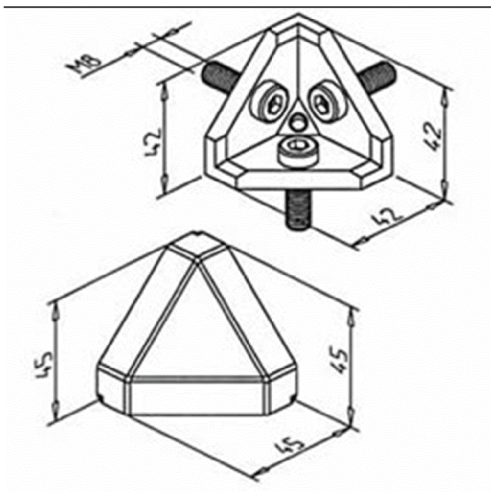
Angle 45°

Part. N° 21.1708/1



APPLICATIONS

- Three way corner for Profile 45/45° Part # 20.1029
- Decorative look for showcases enclosures and displays



TECHN. DATA / ITEMS SUPPLIED

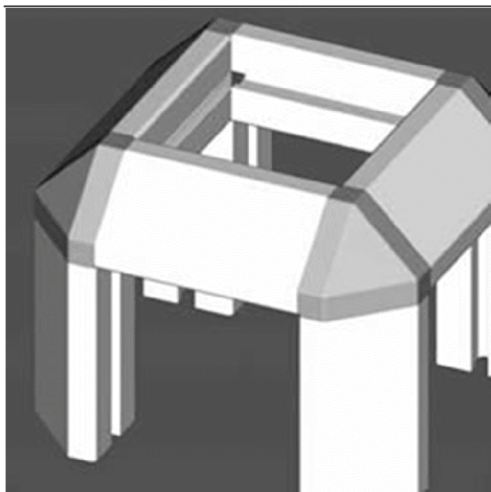


- Cast aluminum triangular bracket

- 3 M8x25 socket head cap screws

- 1 angled plastic end cap, gray

- Weight - .062 kg



ASSEMBLY

- Tap center hole of profile with M8 Forming Tap 26.1082

- Secure bracket to all three profiles

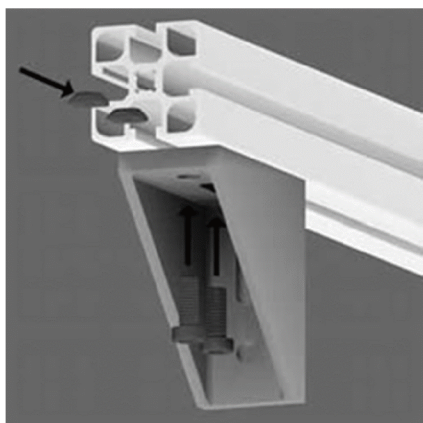
- Snap on plastic cap

- Recommended locking torque 20 Nm



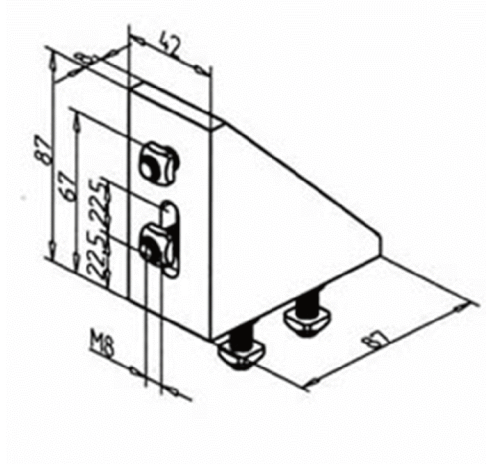
Angle 45x90 GD

Part. N° 21.1135



APPLICATIONS

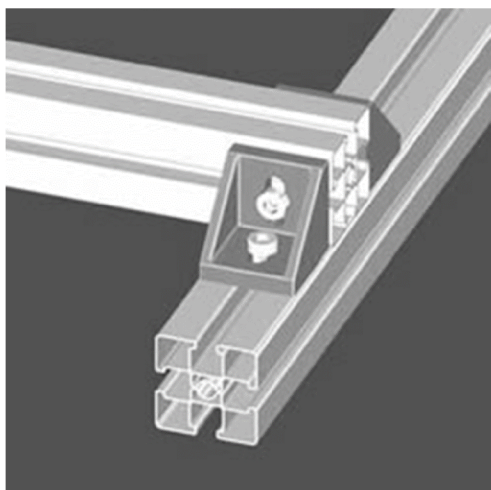
- Particularly useful for subsequent mounting of profiles to existing constructions
- Can be used over Power-Lock to stiffen joint
- Mounting frame to floor or machinery
- Fixing of panels or table tops





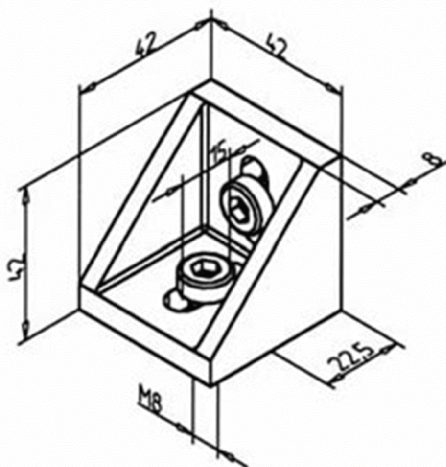
Angle 45 VA

Part. N° 21.0007



APPLICATIONS

- Particularly useful for subsequent attachment of profiles to existing frames
- Corrosive and non magnetic applications
- Can be used over stainless Power-Lock to stiffen joint



EL

News

Electrolux
Macedonia
Palenzo

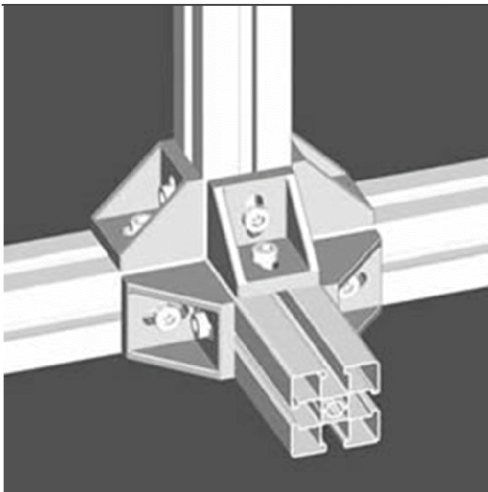
TECHN. DATA / ITEMS SUPPLIED

- Stainless steel gusset Material WN DIN 1.4301 X5 CR NI 18 -10,
SUS 304,

- 2 M8x20 stainless steel socket head cap screws

- 2 M8 stainless steel square nuts

- Weight - kg



ASSEMBLY

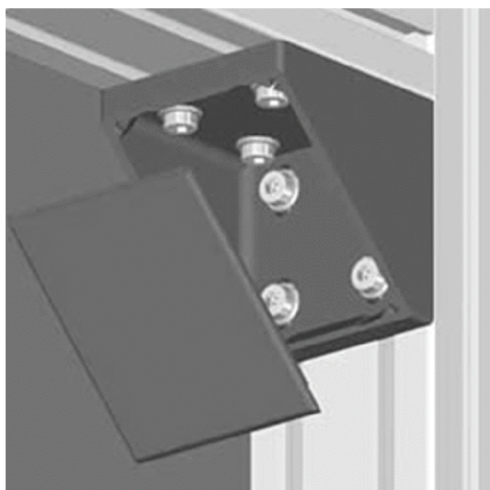
- Insert square nuts into t-slots

- Recommended locking torque 20 Nm



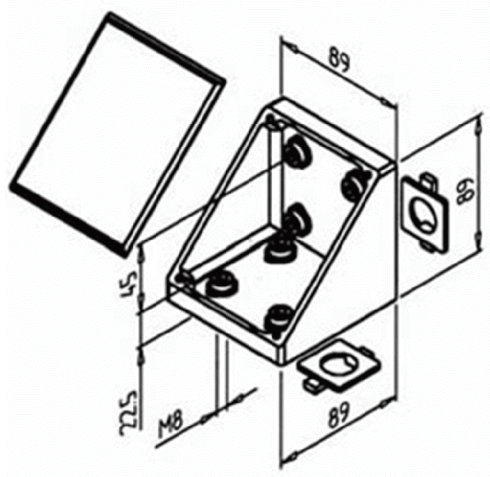
Angle 90

Part. N° 21.1000



APPLICATIONS

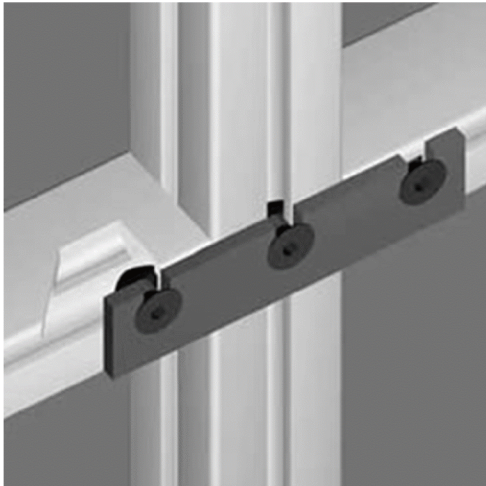
- For profiles 90 & 180 series
- Can be used over Power-Lock to stiffen joint
- Mounting frame to floor or wall





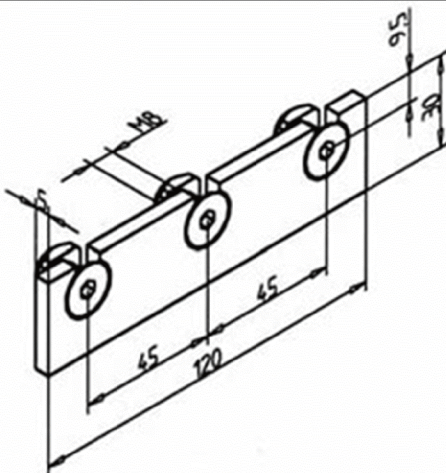
Connecting Bar

Part. N° 21.1113



APPLICATIONS

- Subsequent fastening of profiles to existing structures
- 45mm hole pattern allows for attaching profiles using t-slots or centerholes



TECHN. DATA / ITEMS SUPPLIED

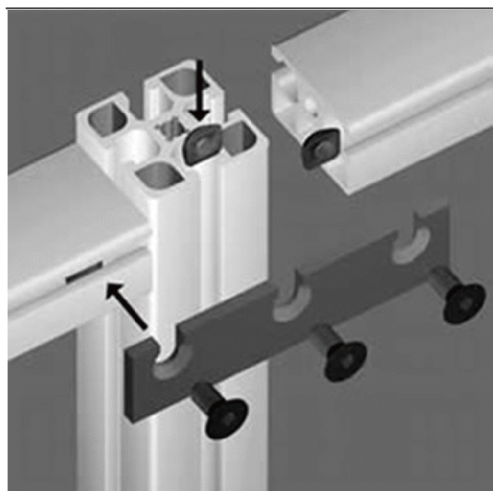


- Steel bar, zinc plated

- 3 M8x16 countersunk screws

- 3 M8 square nuts

- Weight - .103 kg



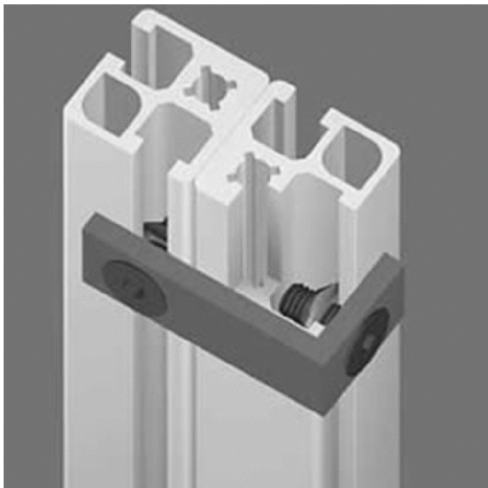
ASSEMBLY

- No processing of profiles required



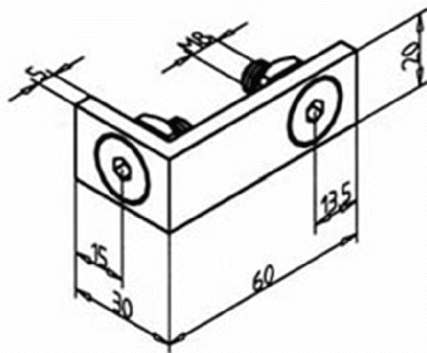
Connecting Angle 32

Part. N° 21.1406



APPLICATIONS

- Parallel fastening of profiles 32x32



TECHN. DATA / ITEMS SUPPLIED

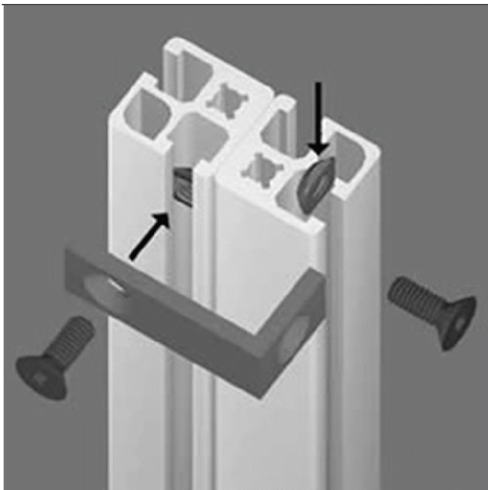
- Steel angle zinc plated



- 2 M8x20 countersunk screw

- 2 M8 square nuts

- Weight - .093kg



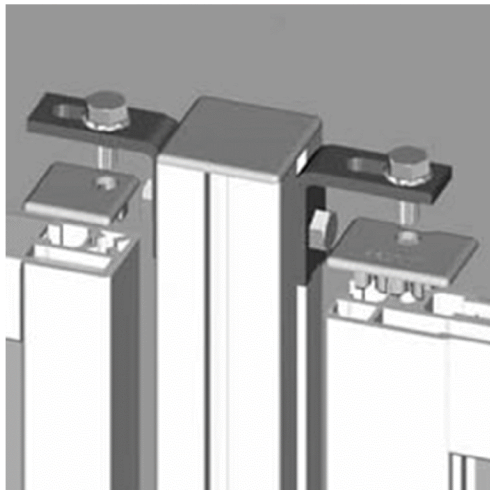
ASSEMBLY

- No machining of profiles required



Guard Unit Fixing Angle 19

Part. N° 21.1399



APPLICATIONS

- Fixing of removeable panels to machine barrier guards
- Tool removeable panels for machine guards
- Flexible modular barrier and machine guards that can be easily reconfigured
- Deep slot in 32x32 clamp profile & 45x32 clamp profile ensure square mesh is locked in securely

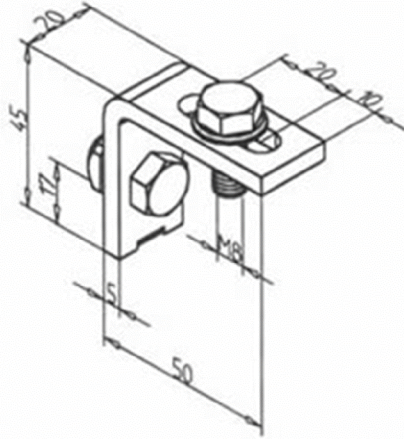
For clamp profile 32 use end cap 22.1032/3

For clamp profile 45x32 use end cap 22.1046/3

EL

News

Electrolux
Macedonia
Palenzo



TECHN. DATA / ITEMS SUPPLIED

- Steel angle zinc plated

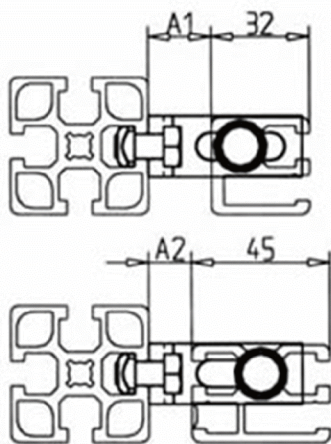
- 1 M8x16 hex bolt

- 1 M8x25 hex bolt

- 1 M8 round washer

- 1 M8 square nut

- Weight - kg





ASSEMBLY

- Secure removeable panel on all 4 corners

- Thread top & bottom of both panel vertical members M8x1.25 using form tap 26.1082

- Alternatively install snap bolt 25 in threaded holes at the bottom of the panel for easier removal

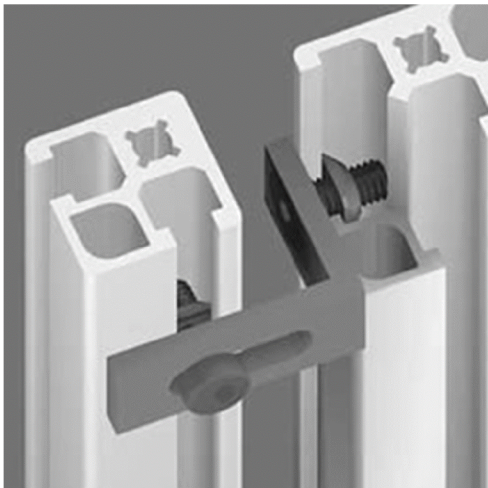
- A1 = 10.5mm - 30.5mm

- A2 = 10.5mm - 17.5mm



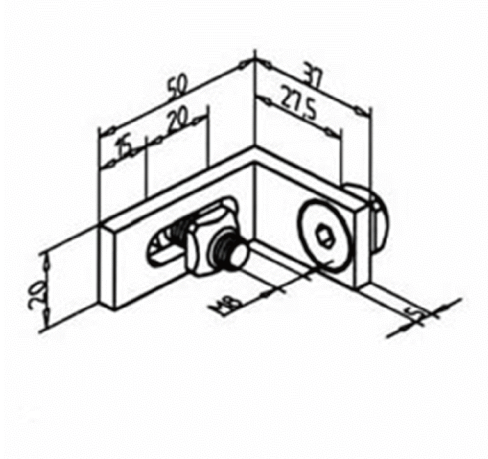
Guard Unit Fixing Angle 32

Part. N° 21.1405



APPLICATIONS

- Tool removeable fastening of barrier and machine guard panels
- Modular post and panel barrier guard design allows perimeter guarding to be easily reconfigured



TECHN. DATA / ITEMS SUPPLIED



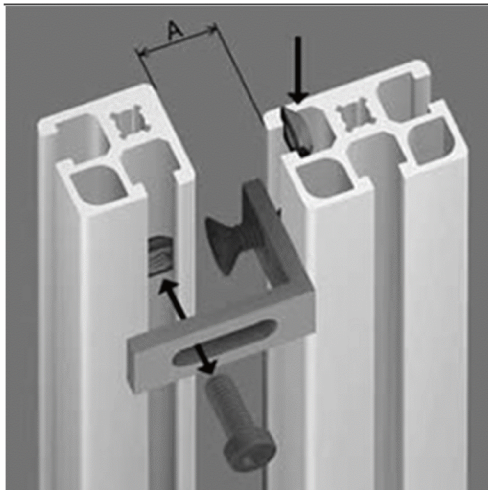
- Steel angle, zinc plated

- 1 M8x20 socket head cap screw

- 1 M8x16 countersunk screw

- 2 M8 square nuts with position fixing

- Weight - .081 kg



ASSEMBLY

- No processing required

- First connect angle with flathead screw to removeable panel

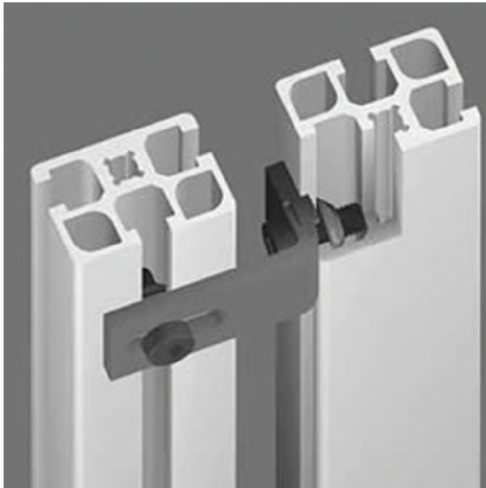
- Second attach angles & panel to posts

- A = 6mm - 25mm



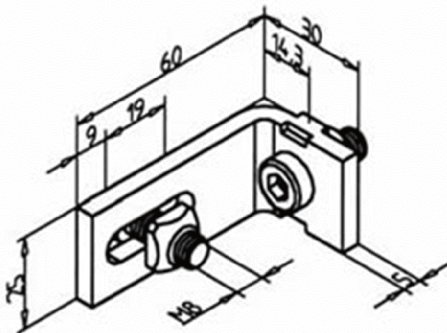
Guard Unit Fixing Angle 45

Part. N° 21.1404



APPLICATIONS

- Tool removeable attachment of barrier and perimter guarding
- Post and panel guarding design allows for easy reconfiguration and reuse of perimeter guarding components

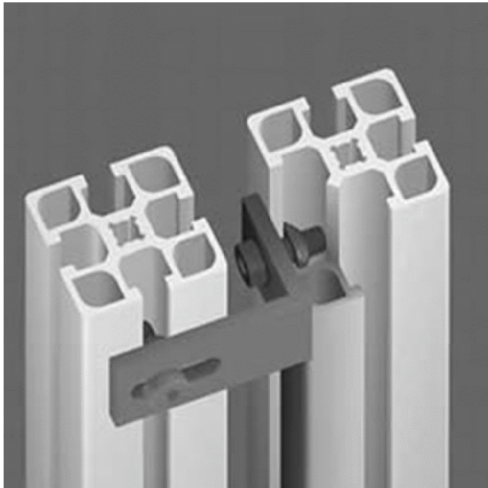


TECHN. DATA / ITEMS SUPPLIED



Guard Unit Fixing Angle 45 AL

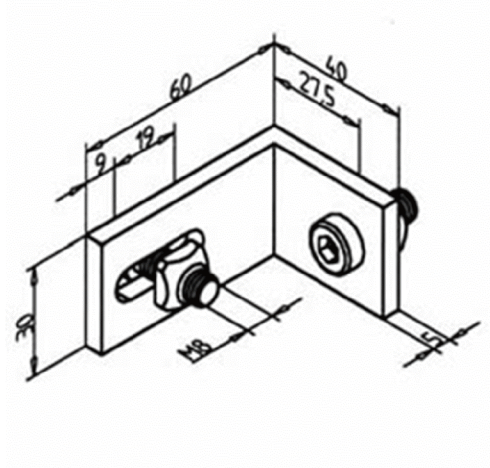
Part. N° 21.1407



APPLICATIONS

- Tool removeable attachment of barrier/perimeter guard panels to posts

- Modular post & panel design allows for easy reconfiguration of perimeter guards





TECHN. DATA / ITEMS SUPPLIED

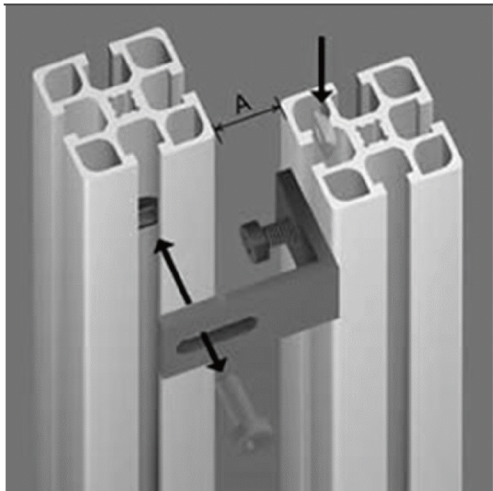
- Aluminum angle, anodized

- 2 M8x20 socket head cap screws

- 2 M8 square nut with position fixing

- 2 M8 round washers

- Weight - kg



ASSEMBLY

- Attach angle to removeable panel first

- Attach removeable panel and angles to posts

- A = 10mm - 28mm



Guard Unit Fixing Angle GD

Part. N° 21.0008



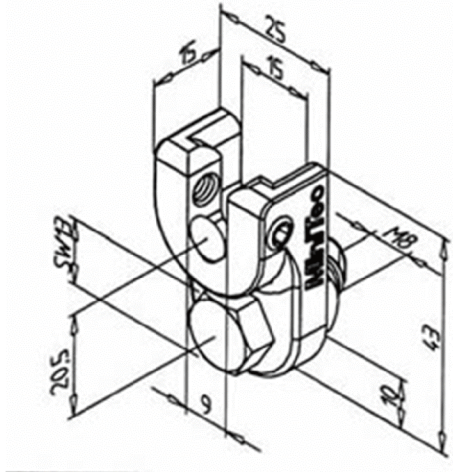
APPLICATIONS

- Lift removeable barrier and perimeter guarding panels

- Lift removeable panels and doors for machine guards and machine enclosures

- Set screw used to make panel tool removeable

- Set screw can be backed out of the way of screw if tool removeable option is not desired



TECHN. DATA / ITEMS SUPPLIED

- Aluminum casting, power coated gray

- 1 M8 x 20 hex bolt

- 1 M8 square nut with position fixing

- 1 set screw M5x10 installed

- Screw & nut that attach to removeable panel, not included

- Weight - .043 kg





ASSEMBLY

- Attach M8x25 SHCS 21.1204 & M8 square nut 21.1351 to protective panel (This screw & nut not included. Other M8 screws can be used to control gap)

- Screw angle to post with included hardware

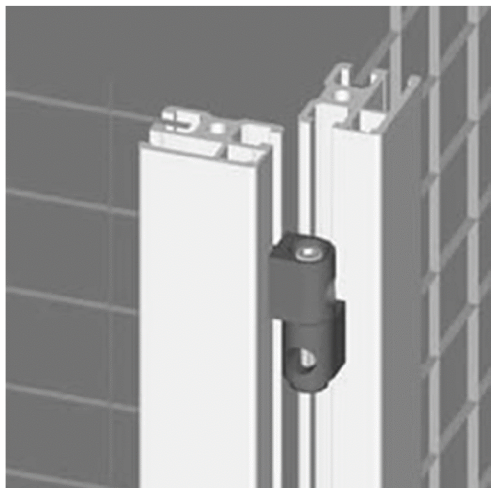
- Gap between panel and post is 16mm +/- .75mm when using M8x25

- Tighten set screw to prevent panel removal



Guard Unit With Adjustable Fixing Angle

Part. N° 21.1403



APPLICATIONS

- Connecting wall sections together at various angles
- Not to be used as a door hinge
- Attach barrier guard panels to posts at any angle for add shaped perimeter guarding



ASSEMBLY

- Attach both cast aluminum sections to respective profiles first.
Both pieces are the same

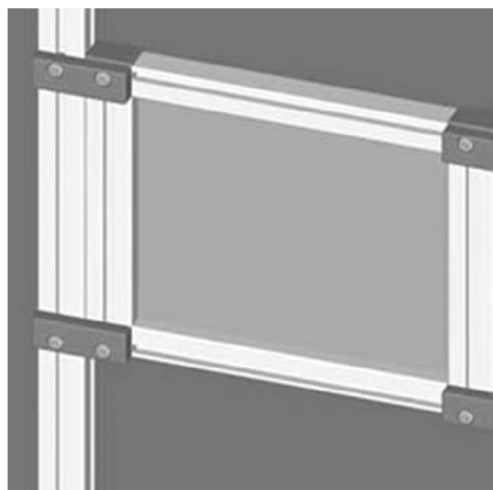
- Join cast sections. Lower pilot will hold sections in place

- Insert M6x50 screw through both blocks and secure with M6 hex nut



Connecting Plate 90 x 32

Part. N° 21.1346



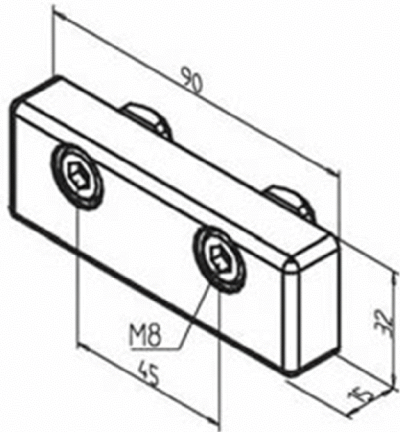
APPLICATIONS

- Connection of panels where gaps are not permissible

- Joining of large wall sections. Use to make large enclosures easy to dis-assemble and re-assemble

- Strengthen profile joints

- Can be mounted after assembly is complete



TECHN. DATA / ITEMS SUPPLIED

- Cast aluminum plate, powdercoated gray

- 2 M8x22 socket head cap screws

- 2 M8 square nuts with position fixing

- Weight - .170 kg



ASSEMBLY



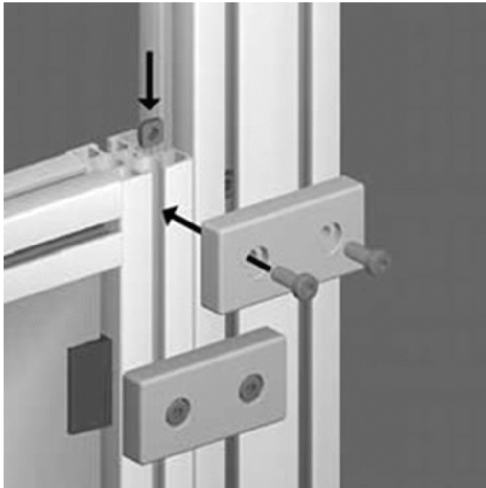
- Press square nuts into profiles

- Recommended locking torque 20 Nm



Connecting Plate 45 x 90

Part. N° 21.1472



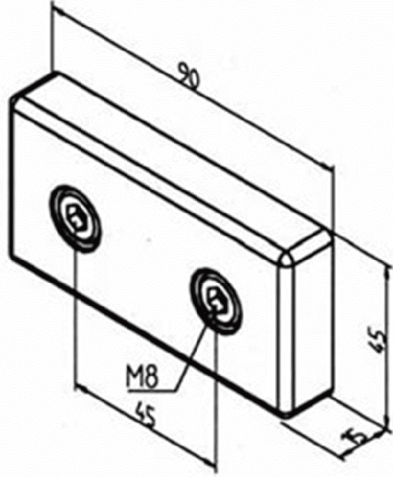
APPLICATIONS

- Connection of panels where gaps are not permissible

- Joining of large wall sections. Use to make large enclosures easy to dis-assemble and re-assemble

- Strengthen profile joints

- Can be mounted after assembly is complete



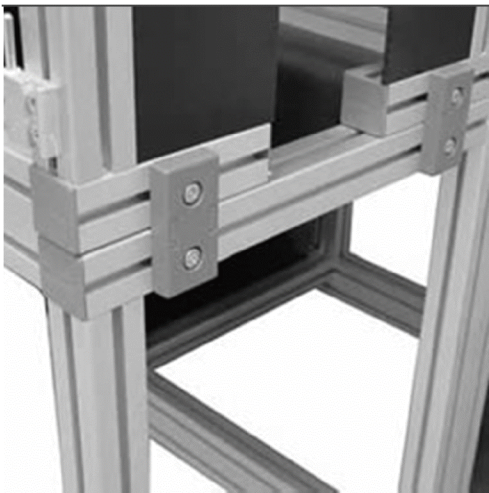
TECHN. DATA / ITEMS SUPPLIED

- Cast aluminum plate 15mm thick, powdercoated gray

- 2 M8x22 socket head cap screws

- 2 M8 square nuts with position fixing

- Weight - .170 kg



ASSEMBLY



- Press square nuts into profiles

- Recommended locking torque 20 Nm



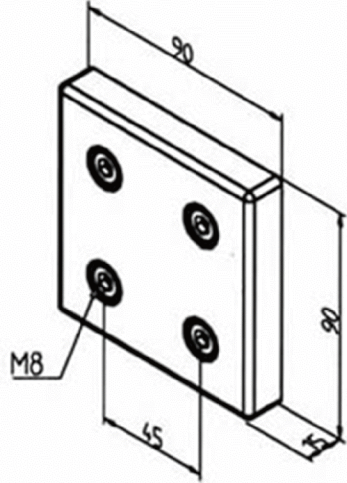
Connecting Plate 90 x 90

Part. N° 21.1473



APPLICATIONS

- Connection of panels where gaps are not permissible
- Joining of large wall sections. Use to make large enclosures easy to dis-assemble and re-assemble
- Strengthen profile joints
- Can be mounted after assembly is complete



TECHN. DATA / ITEMS SUPPLIED

- Cast aluminum plate 15mm thick, powdercoated gray

- 4 M8x22 socket head cap screws

- 4 M8 square nuts with position fixing

- Weight - .330 kg



ASSEMBLY



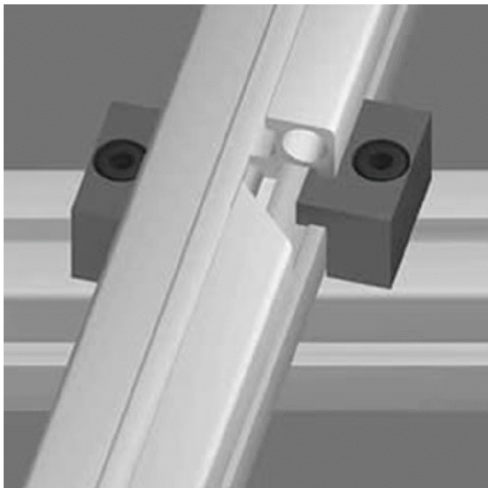
- Press square nuts into profiles

- Recommended locking torque 20 Nm



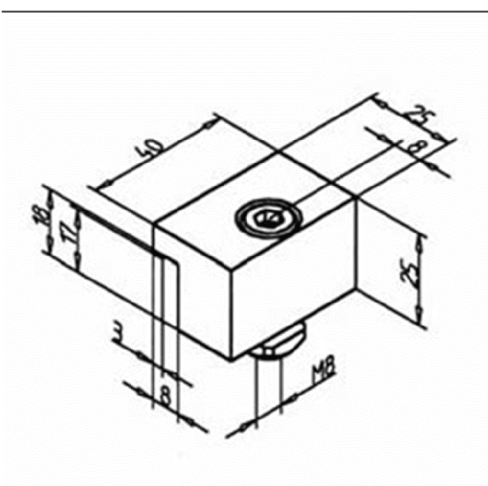
Clamping Claw

Part. N° 21.1027



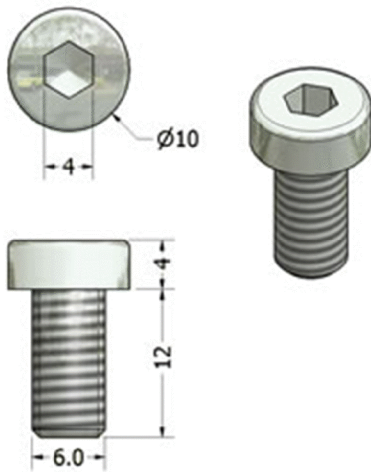
APPLICATIONS

- Face to face profile connection at various angles
- Pressure fit locks profiles in place
- Use two clamping claws for high moment load applications



M6x12 Socket Head Cap Screw

Part. N° 21.1143



APPLICATIONS

- Fasten parts less than 1.5mm(1/16") thick to t-slots

- Closest inch screw 1/4-20

- Ø6mm = .236 inches

- Length 12mm = .472 inches





TECHN. DATA / ITEMS SUPPLIED

- Steel, zinc plated

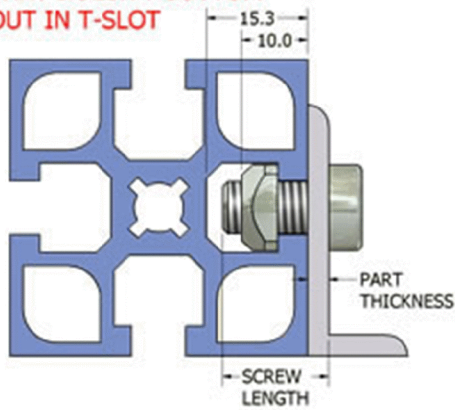
- Diameter 6 mm

- Length 12 mm

- Thread pitch 1 mm

- Hex drive 4 mm

SELECT LONGEST SCREW THAT DOESN'T BOTTOM OUT IN T-SLOT



ASSEMBLY

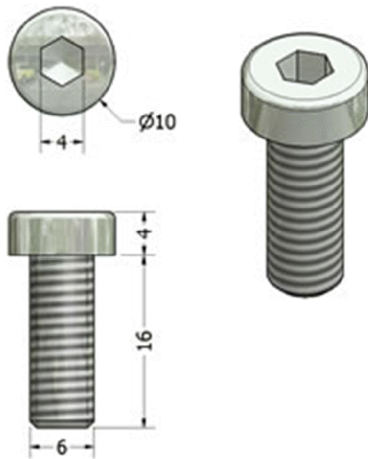
- Press M6 square nut into t-slot

- Insert screw thru clearance hole in part

- Tighten screw using 4mm hex key

M6x16 Socket Head Cap Screw

Part. N° 21.1238



APPLICATIONS

- Fasten parts 1.5mm-6mm (1/16in -1/4in) to t-slots

- Closest inch screw 1/4-20

- Ø6mm = .236 inches

- Length 16mm = .63 inches



TECHN. DATA / ITEMS SUPPLIED

- Steel, zinc plated

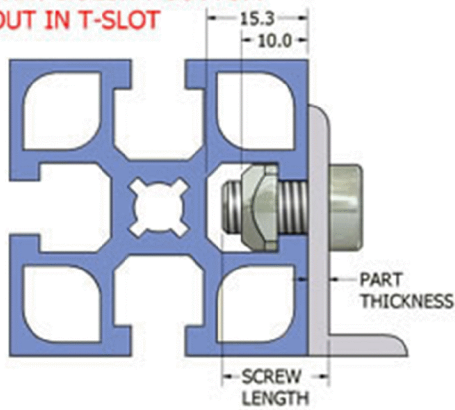
- Diameter 6 mm

- Length 16 mm

- Thread pitch 1 mm

- Hex drive 4 mm

**SELECT LONGEST SCREW
THAT DOESN'T BOTTOM
OUT IN T-SLOT**



ASSEMBLY

- Press M6 square nut into t-slot

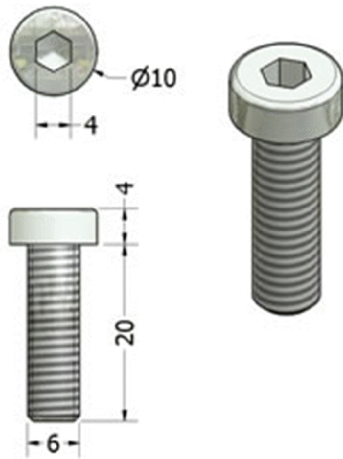
- Insert screw thru clearance hole in part

- Tighten screw using 4mm hex key



M6x20 Socket Head Cap Screw

Part. N° 21.1240



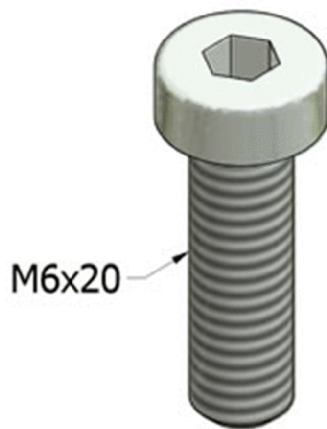
APPLICATIONS

- Fasten parts 6mm-10mm (1/4in -3/8in) to t-slots

- Closest inch screw 1/4-20

- Ø6mm = .236 inches

- Length 20mm = .787 inches



TECHN. DATA / ITEMS SUPPLIED

- Steel, zinc plated

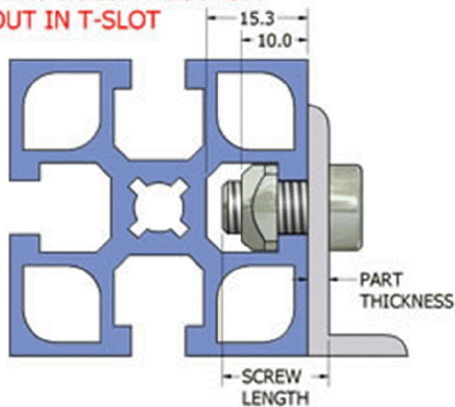
- Diameter 6 mm

- Length 20 mm

- Thread pitch 1 mm

- Hex drive 4 mm

**SELECT LONGEST SCREW
THAT DOESN'T BOTTOM
OUT IN T-SLOT**



ASSEMBLY

- Press M6 square nut into t-slot

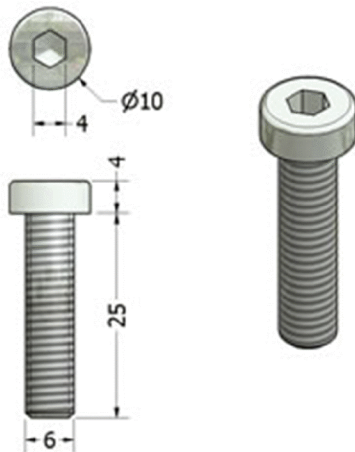
- Insert screw thru clearance hole in part

- Tighten screw using 4mm hex key



M6x25 Socket Head Cap Screw

Part. N° 21.1242



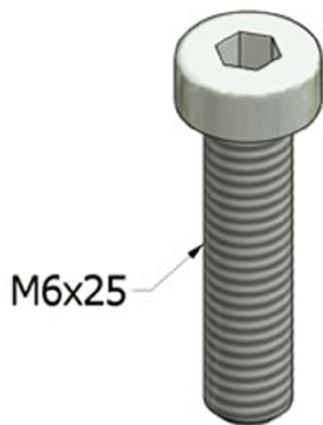
APPLICATIONS

- Fasten parts 10mm-15mm (3/8in -9/16in) to t-slots

- Closest inch screw 1/4-20

- Ø6mm = .236 inches

- Length 25mm = .984 inches





TECHN. DATA / ITEMS SUPPLIED

- Steel, zinc plated

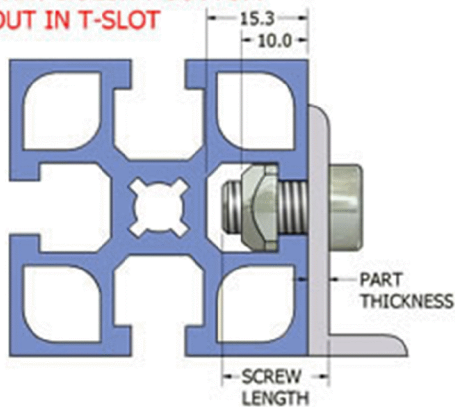
- Diameter 6 mm

- Length 25 mm

- Thread pitch 1 mm

- Hex drive 4 mm

SELECT LONGEST SCREW THAT DOESN'T BOTTOM OUT IN T-SLOT



ASSEMBLY

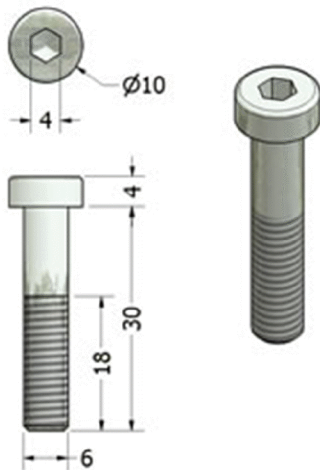
- Press M6 square nut into t-slot

- Insert screw thru clearance hole in part

- Tighten screw using 4mm hex key

M6x30 Socket Head Cap Screw

Part. N° 21.1243



APPLICATIONS

- Fasten parts 15mm-20mm (5/8in -3/4in) to t-slots

- Closest inch screw 1/4-20

- Ø6mm = .236 inches

- Length 30mm = .1.18 inches





TECHN. DATA / ITEMS SUPPLIED

- Steel, zinc plated

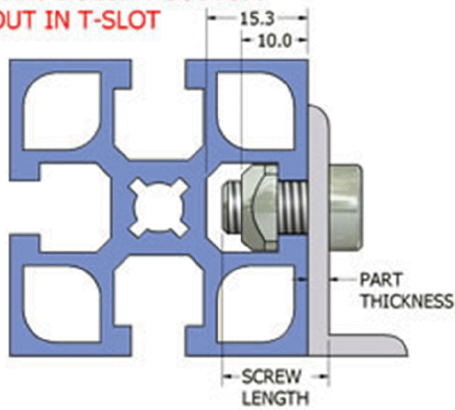
- Diameter 6 mm

- Length 30 mm

- Thread pitch 1 mm

- Hex drive 4 mm

SELECT LONGEST SCREW THAT DOESN'T BOTTOM OUT IN T-SLOT



ASSEMBLY

- Press M6 square nut into t-slot

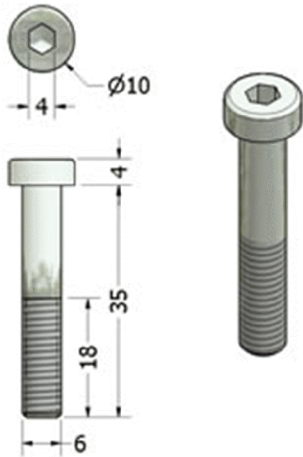
- Insert screw thru clearance hole in part

- Tighten screw using 4mm hex key



M6x35 Socket Head Cap Screw

Part. N° 21.1245



APPLICATIONS

- Fasten parts 20mm-25mm (13/16in-15/16in) to t-slots

- Closest inch screw 1/4-20

- Ø6mm = .236 inches

- Length 35mm = .138 inches





TECHN. DATA / ITEMS SUPPLIED

- Steel, zinc plated

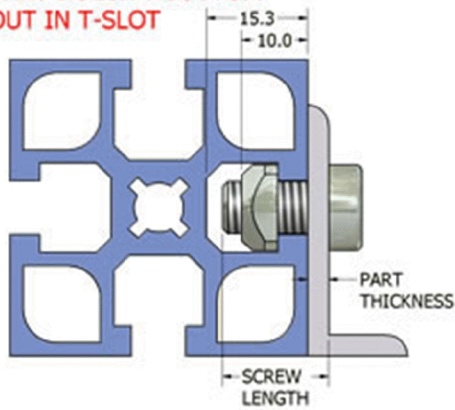
- Diameter 6 mm

- Length 35 mm

- Thread pitch 1 mm

- Hex drive 4 mm

SELECT LONGEST SCREW THAT DOESN'T BOTTOM OUT IN T-SLOT



ASSEMBLY

- Press M6 square nut into t-slot

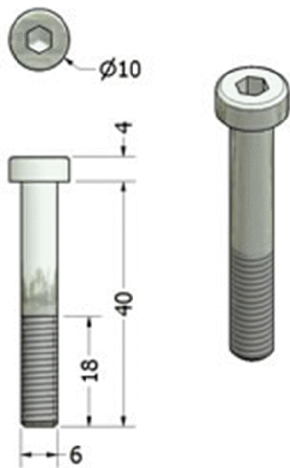
- Insert screw thru clearance hole in part

- Tighten screw using 4mm hex key



M6x40 Socket Head Cap Screw

Part. N° 21.1247



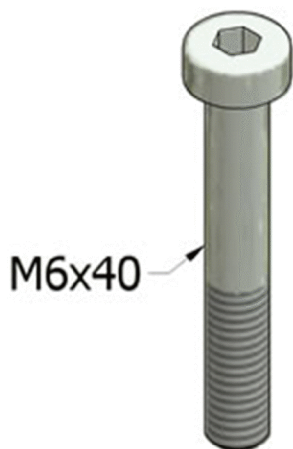
APPLICATIONS

- Fasten parts 25mm-30mm (1in-1-3/16in) to t-slots

- Closest inch screw 1/4-20

- Ø6mm = .236 inches

- Length 40mm = .1.575 inches





TECHN. DATA / ITEMS SUPPLIED

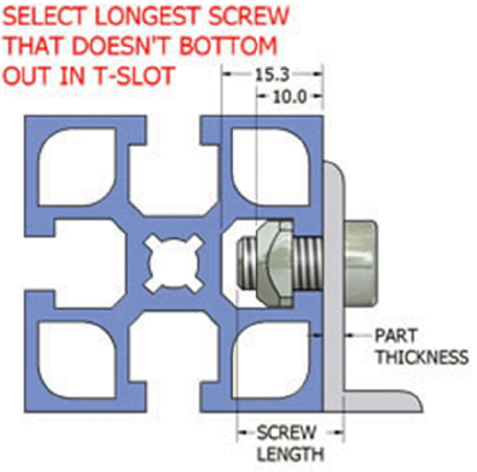
- Steel, zinc plated

- Diameter 6 mm

- Length 40 mm

- Thread pitch 1 mm

- Hex drive 4 mm



ASSEMBLY

- Press M6 square nut into t-slot

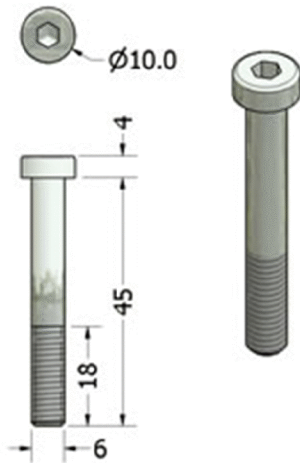
- Insert screw thru clearance hole in part

- Tighten screw using 4mm hex key



M6x45 Socket Head Cap Screw

Part. N° 21.1172



APPLICATIONS

- Fasten parts 30mm-35mm (1.25in - 1-3/8) to t-slots

- Closest inch screw 1/4-20

- Ø6mm = .236 inches

- Length 45mm = .1.772 inches





TECHN. DATA / ITEMS SUPPLIED

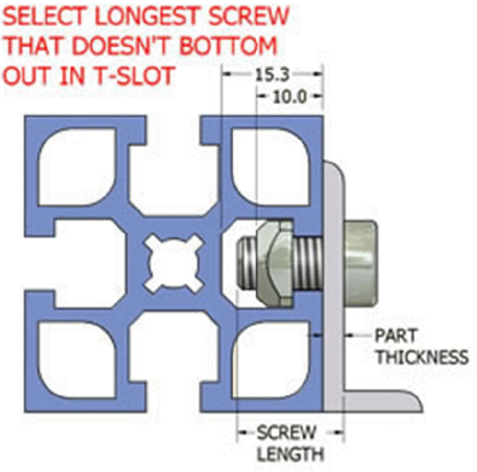
- Steel, zinc plated

- Diameter 6 mm

- Length 45 mm

- Thread pitch 1 mm

- Hex drive 4 mm



ASSEMBLY

- Press M6 square nut into t-slot

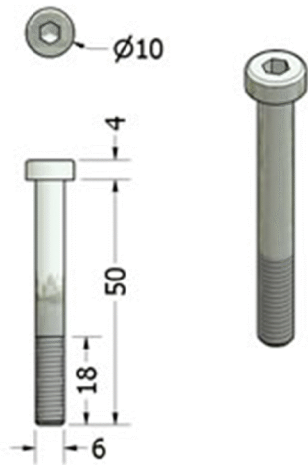
- Insert screw thru clearance hole in part

- Tighten screw using 4mm hex key



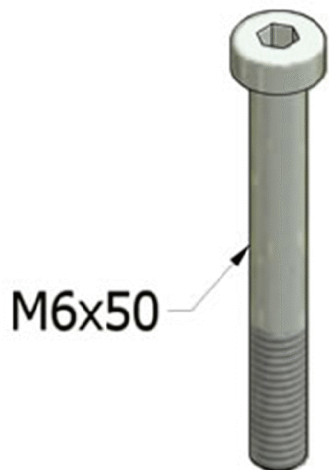
M6x50 Socket Head Cap Screw

Part. N° 21.1171



APPLICATIONS

- Closest inch screw	1/4-20
- Ø6mm =	.236 inches
- Length 50mm =	.197 inches





TECHN. DATA / ITEMS SUPPLIED

- Steel, zinc plated

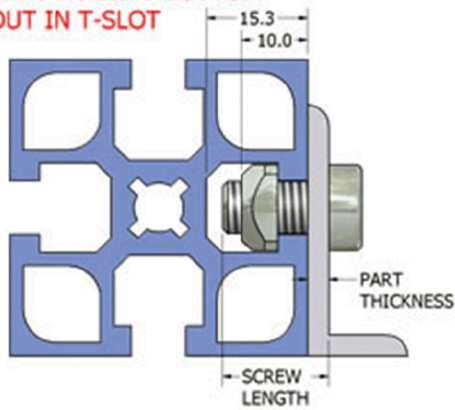
- Diameter 6 mm

- Length 50 mm

- Thread pitch 1 mm

- Hex drive 4 mm

SELECT LONGEST SCREW THAT DOESN'T BOTTOM OUT IN T-SLOT



ASSEMBLY

- Press M6 square nut into t-slot

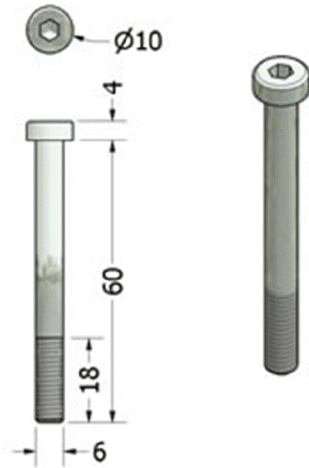
- Insert screw thru clearance hole in part

- Tighten screw using 4mm hex key



M6x60 Socket Head Cap Screw

Part. N° 21.1154



APPLICATIONS

- Closest inch screw	1/4-20
- Ø6mm =	.236 inches
- Length 60mm =	2.36 inches





TECHN. DATA / ITEMS SUPPLIED

- Steel, zinc plated

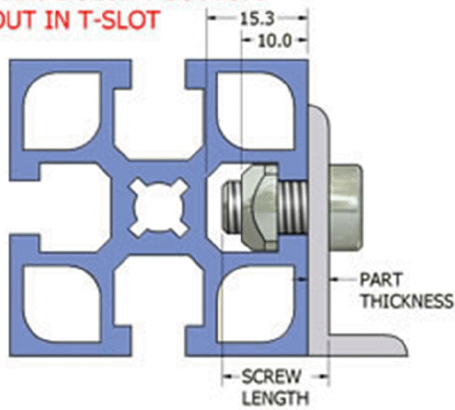
- Diameter 6 mm

- Length 60 mm

- Thread pitch 1 mm

- Hex drive 4 mm

SELECT LONGEST SCREW THAT DOESN'T BOTTOM OUT IN T-SLOT



ASSEMBLY

- Press M6 square nut into t-slot

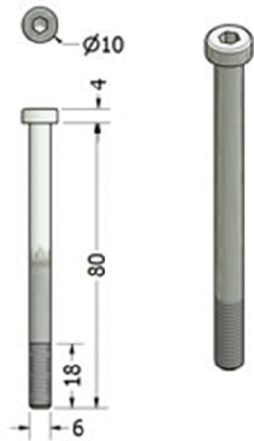
- Insert screw thru clearance hole in part

- Tighten screw using 4mm hex key



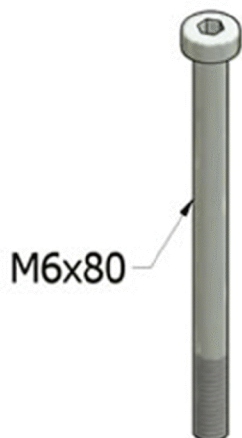
M6x80 Socket Head Cap Screw

Part. N° 21.1199



APPLICATIONS

- Closest inch screw	1/4-20
- $\varnothing 6\text{mm}$ =	.236 inches
- Length 80mm =	3.15 inches





TECHN. DATA / ITEMS SUPPLIED

- Steel, zinc plated

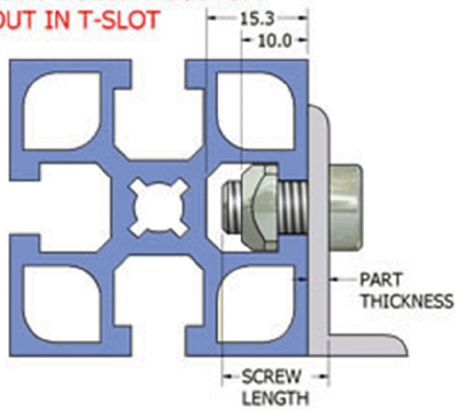
- Diameter 6 mm

- Length 80 mm

- Thread pitch 1 mm

- Hex drive 4 mm

SELECT LONGEST SCREW THAT DOESN'T BOTTOM OUT IN T-SLOT



ASSEMBLY

- Press M6 square nut into t-slot

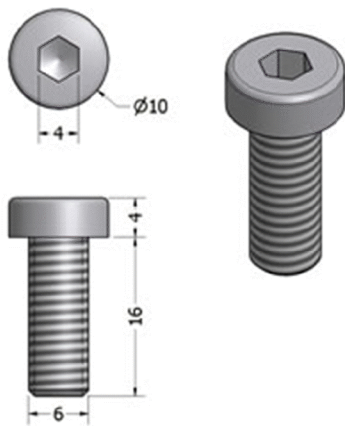
- Insert screw thru clearance hole in part

- Tighten screw using 4mm hex key



M6x16 Socket Head Cap Screw Stainless Steel

Part. N° 21.1238/1



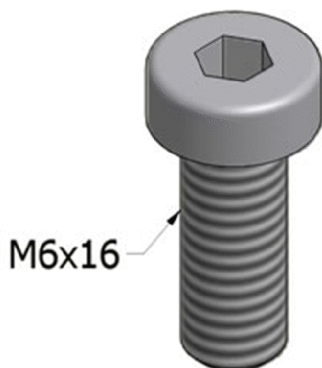
APPLICATIONS

- Fasten parts 1.5mm-6mm (1/16in -1/4in) to t-slots

- Closest inch screw 1/4-20

- Ø6mm = .236 inches

- Length 16mm = .63 inches

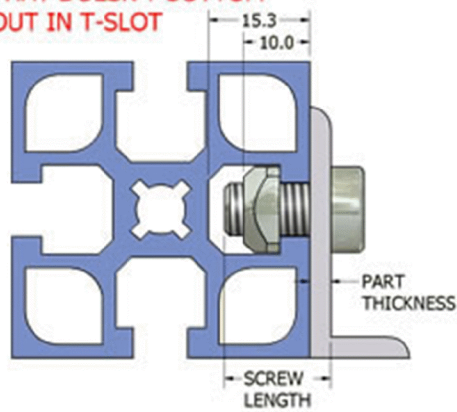


TECHN. DATA / ITEMS SUPPLIED

- 18/8 Stainless steel

- Diameter	6 mm
- Length	16 mm
- Thread pitch	1 mm
- Hex drive	4 mm

SELECT LONGEST SCREW THAT DOESN'T BOTTOM OUT IN T-SLOT



ASSEMBLY

- Press M6 square nut into t-slot

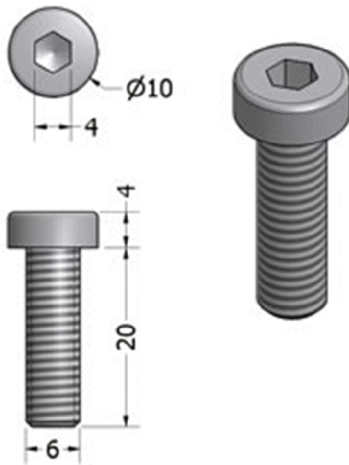
- Insert screw thru clearance hole in part

- Tighten screw using 4mm hex key



M6x20 Socket Head Cap Screw Stainless Steel

Part. N° 21.1240/1



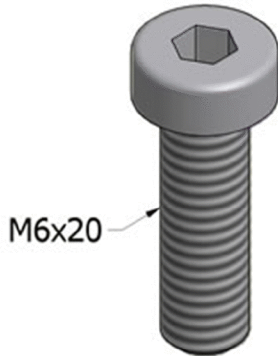
APPLICATIONS

- Fasten parts 6mm-10mm (1/4in -3/8in) to t-slots

- Closest inch screw 1/4-20

- Ø6mm = .236 inches

- Length 20mm = .787 inches

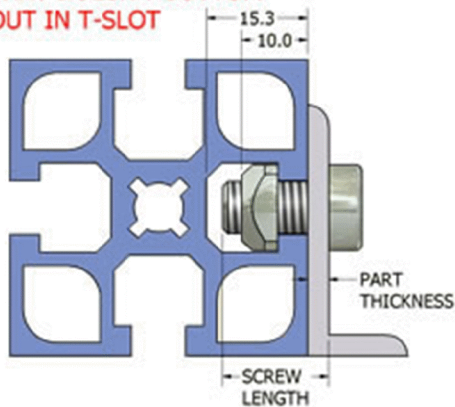


TECHN. DATA / ITEMS SUPPLIED

- 18/8 Stainless steel

- Diameter	6 mm
- Length	20 mm
- Thread pitch	1 mm
- Hex drive	4 mm

SELECT LONGEST SCREW THAT DOESN'T BOTTOM OUT IN T-SLOT



ASSEMBLY

- Press M6 square nut into t-slot

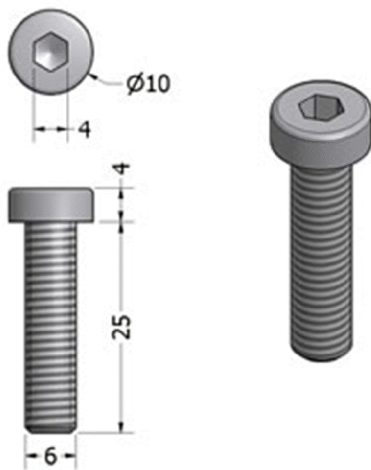
- Insert screw thru clearance hole in part

- Tighten screw using 4mm hex key



M6x25 Socket Head Cap Screw Stainless Steel

Part. N° 21.1242/1



APPLICATIONS

- Fasten parts 10mm-15mm (3/8in -9/16in) to t-slots

- Closest inch screw 1/4-20

- Ø6mm = .236 inches

- Length 25mm = .984 inches



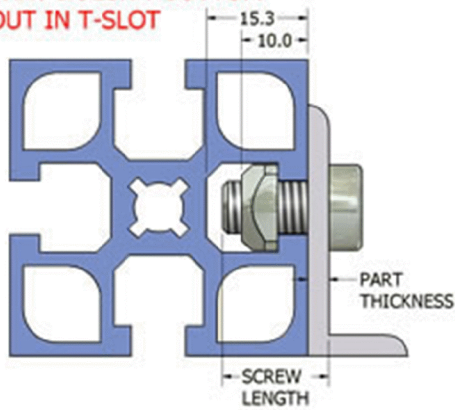


TECHN. DATA / ITEMS SUPPLIED

- 18/8 Stainless steel

- Diameter	6 mm
- Length	25 mm
- Thread pitch	1 mm
- Hex drive	4 mm

SELECT LONGEST SCREW THAT DOESN'T BOTTOM OUT IN T-SLOT



ASSEMBLY

- Press M6 square nut into t-slot

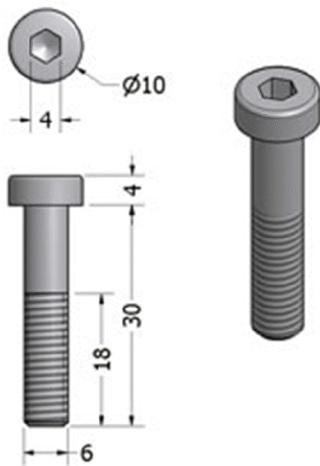
- Insert screw thru clearance hole in part

- Tighten screw using 4mm hex key



M6x30 Socket Head Cap Screw Stainless Steel

Part. N° 21.1243/1



APPLICATIONS

- Fasten parts 15mm-20mm (5/8in -3/4in) to t-slots

- Closest inch screw 1/4-20

- Ø6mm = .236 inches

- Length 30mm = .1.18 inches



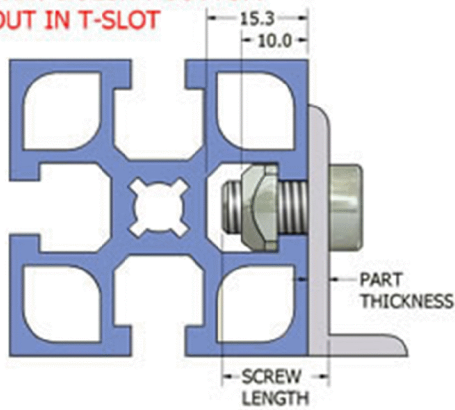


TECHN. DATA / ITEMS SUPPLIED

- 18/8 Stainless steel

- Diameter	6 mm
- Length	30 mm
- Thread pitch	1 mm
- Hex drive	4 mm

SELECT LONGEST SCREW THAT DOESN'T BOTTOM OUT IN T-SLOT



ASSEMBLY

- Press M6 square nut into t-slot

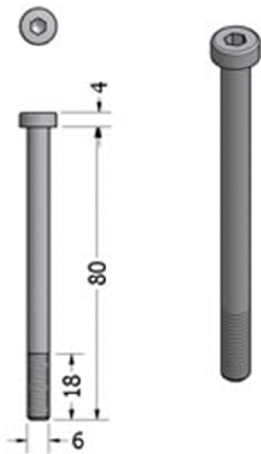
- Insert screw thru clearance hole in part

- Tighten screw using 4mm hex key



M6x80 Socket Head Cap Screw Stainless Steel

Part. N° 21.1199/1



APPLICATIONS

- Closest inch screw	1/4-20
- $\varnothing 6\text{mm} =$.236 inches
- Length 80mm =	3.15 inches



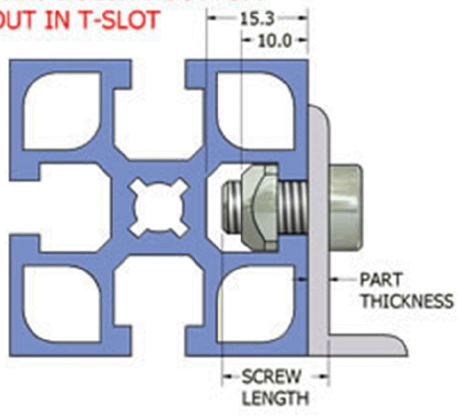


TECHN. DATA / ITEMS SUPPLIED

- 18/8 Stainless steel

- Diameter	6 mm
- Length	80 mm
- Thread pitch	1 mm
- Hex drive	4 mm

SELECT LONGEST SCREW THAT DOESN'T BOTTOM OUT IN T-SLOT



ASSEMBLY

- Press M6 square nut into t-slot
- Insert screw thru clearance hole in part
- Tighten screw using 4mm hex key