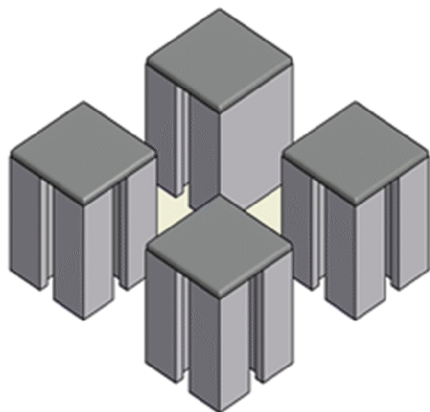




End Cap 45x45 Gray

Part. N° 22.1067/1



APPLICATIONS

- End cover for Profile 45x45 UL, Part # 20.1063

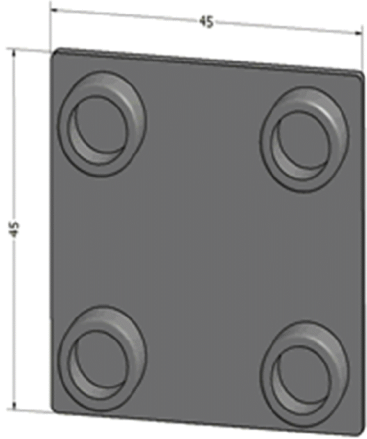
- End cover for Profile 45x45 F, Part # 20.1033

- End cover for Profile 45x45, Part # 20.1006

- End cover for Profile 45x45 G, Part # 20.1028

- End cover for Profile 45x45 2G, Part # 20.1072

- End cover for Profile 45x45 3G, Part # 20.1048



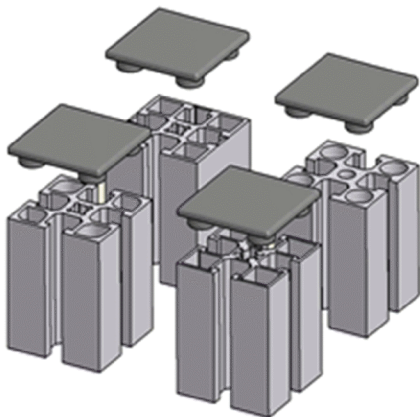
TECHN. DATA / ITEMS SUPPLIED

- ABS plastic, gray, non-aging, oil resistant

- Thickness 3mm

- Available in black, Part # 22.1067

- Weight .007 kg



ASSEMBLY



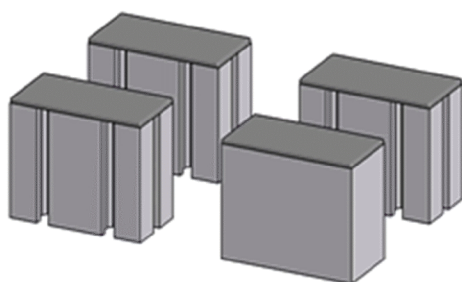
- No processing required

- Simply press in by hand then tap with small hammer or plastic mallet



End Cap 45x90 Gray

Part. N° 22.1068/1



APPLICATIONS

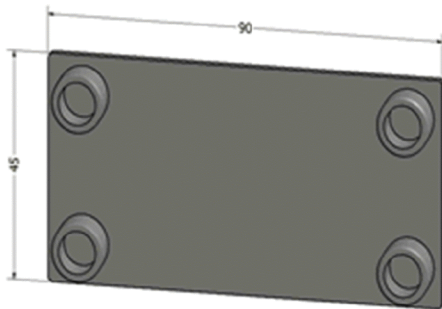
- End cover for Profile 45x90 UL, Part # 20.1067

- End cover for Profile 45x90 F, Part # 20.1032

- End cover for Profile 45x90, Part # 20.1009

- End cover for Profile 45x90 S, Part # 20.1017

- End cover for Profile 45x90 G, Part # 20.1015



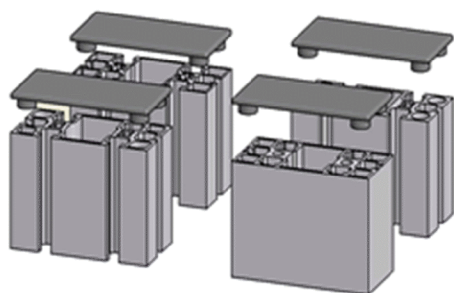
TECHN. DATA / ITEMS SUPPLIED

- ABS plastic, gray, non-aging, oil resistant

- Thickness 3mm

- Available in black, Part # 22.1068

- Weight .014 kg



ASSEMBLY



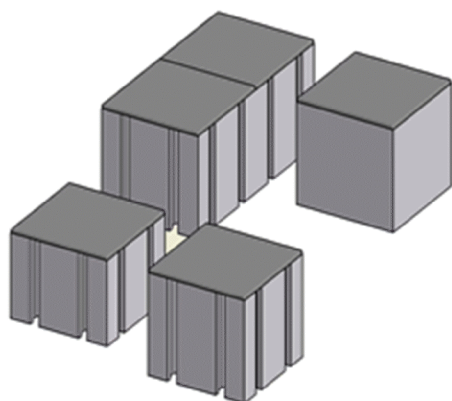
- No processing required

- Simply press in by hand then tap with small hammer or plastic mallet



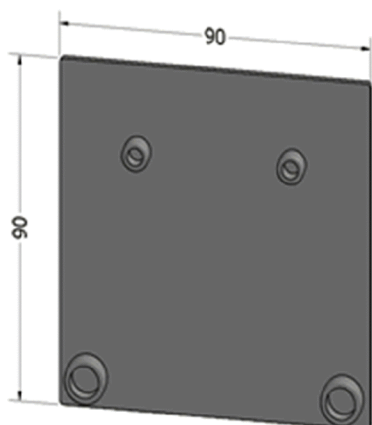
End Cap 90x90 Gray

Part. N° 22.1069/1



APPLICATIONS

- End cover for Profile 90x90 L, Part # 20.1010
- End cover for Profile 90x90 S, Part # 20.1019
- End cover for Profile 90x90 G, Part # 20.1082
- End cover for Profile 90x90 2G, Part # 20.1044
- End cover for Profile 90x180 S, Part # 20.1013 (2 Req.)



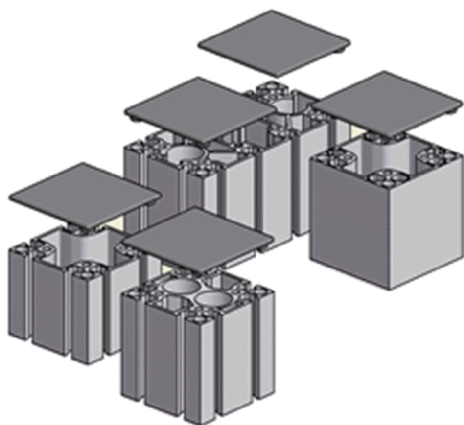
TECHN. DATA / ITEMS SUPPLIED

- ABS plastic, gray, non-aging, oil resistant
- Thickness 3mm



- Available in black, Part # 22.1069

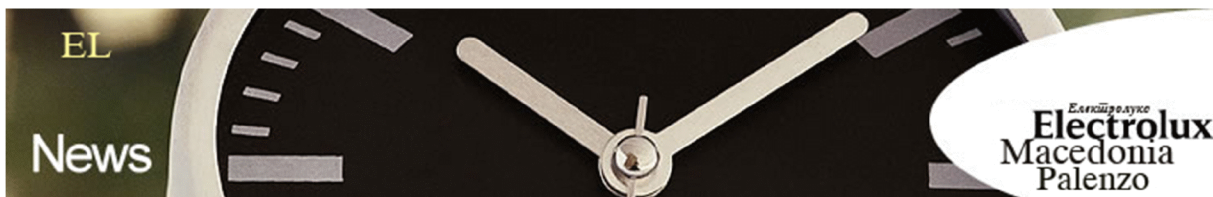
- Weight - .026 kg



ASSEMBLY

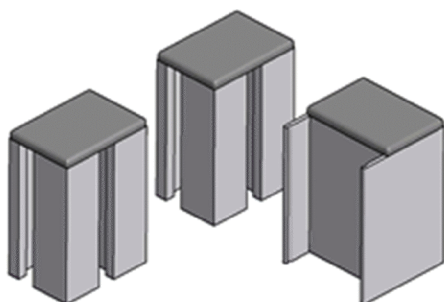
- No processing required

- Simply press in by hand then tap with small hammer or plastic mallet



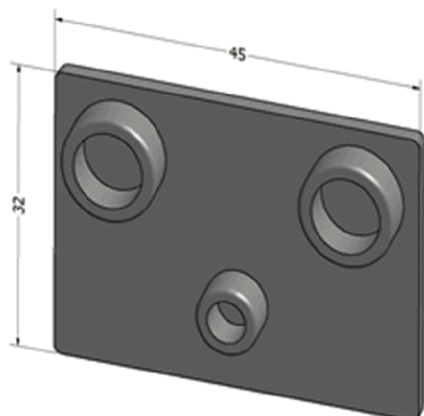
End Cap 45x32 Gray

Part. N° 22.1065/1



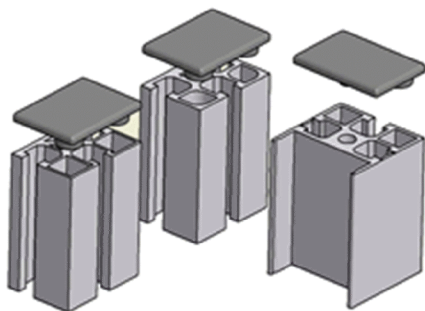
APPLICATIONS

- End cover for Profile 45x32F, Part # 20.1055
- End cover for Profile 45x32 UL, Part # 20.1065
- End cover for Profile 45x45R, Part # 20.1046



TECHN. DATA / ITEMS SUPPLIED

- ABS plastic, gray, non-aging, oil resistant
- Thickness 3mm
- **Available in black, Part # 22.1065**
- Weight - .005 kg



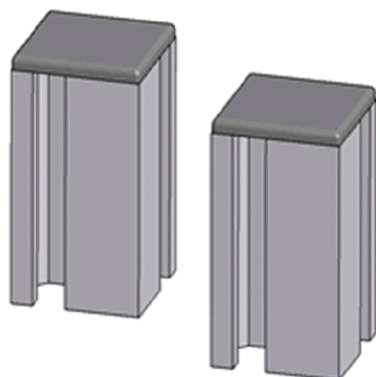
ASSEMBLY

- No processing required
- Simply press in by hand then tap with small hammer or plastic mallet



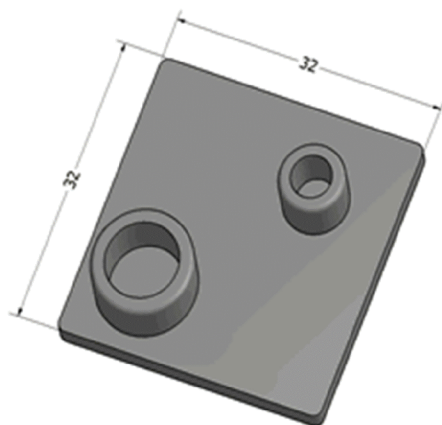
End Cap 32x32 Gray

Part. N° 22.1062/1



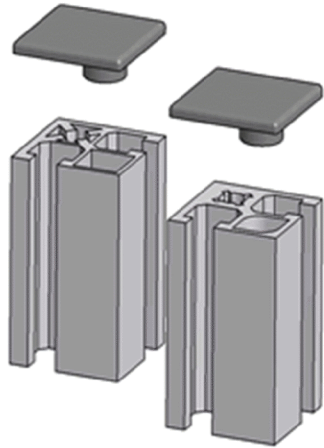
APPLICATIONS

- End cover for Profile 32x32F, Part # 20.1054
- End cover for Profile 32x32 UL, Part # 20.1064



TECHN. DATA / ITEMS SUPPLIED

- ABS plastic, gray, non-aging, oil resistant
- Thickness 3mm
- **Available in black, Part # 22.1062**
- Weight - .004 kg



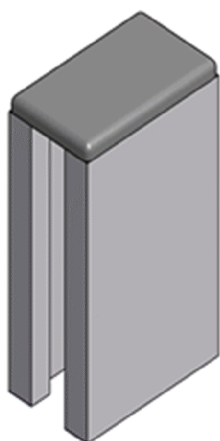
ASSEMBLY

- No processing required
- Simply press in by hand then tap with small hammer or plastic mallet



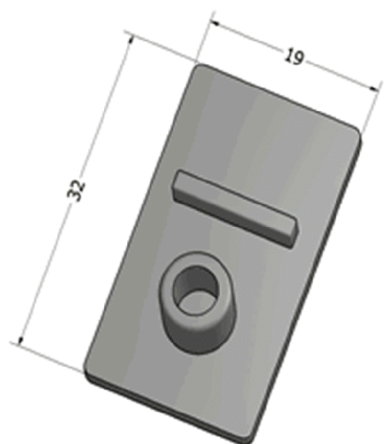
End Cap 19x32 Gray

Part. N° 22.1060/1



APPLICATIONS

- End cover for Profile 19x32, Part # 20.1000



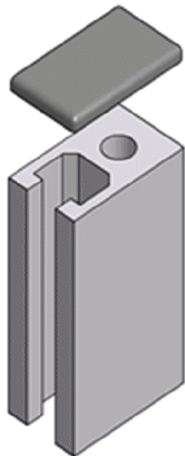
TECHN. DATA / ITEMS SUPPLIED

- ABS plastic, gray, non-aging, oil resistant

- Thickness 3mm

- **Available in black, Part # 22.1060**

- Weight - .002 kg



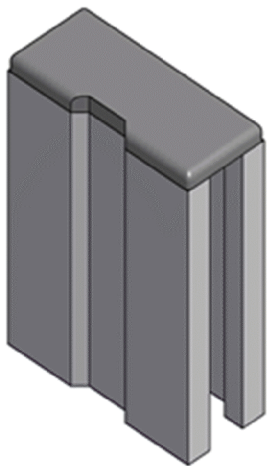
ASSEMBLY

- No processing required
- Simply press in by hand then tap with small hammer or plastic mallet



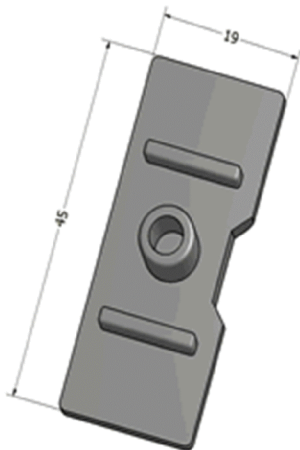
End Cap 19x45 Gray

Part. N° 22.1064/1



APPLICATIONS

- End cover for Profile 19x45, Part # 20.1001



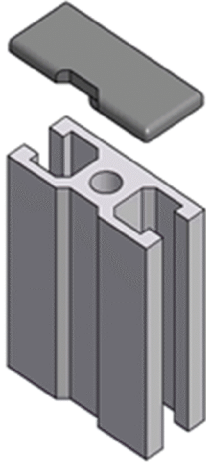
TECHN. DATA / ITEMS SUPPLIED

- ABS plastic, gray, non-aging, oil resistant

- Thickness 3mm

- **Available in black, Part # 22.1064**

- Weight - .003 kg



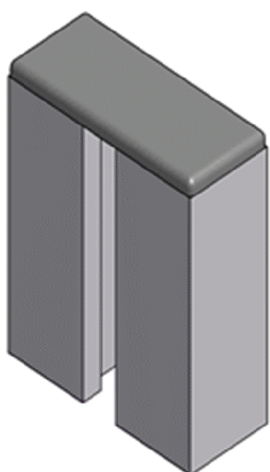
ASSEMBLY

- No processing required
- Simply press in by hand then tap with small hammer or plastic mallet



End Cap 45x19 Gray

Part. N° 22.1063/1



APPLICATIONS

- End cover for Profile 45x19, Part # 20.1012



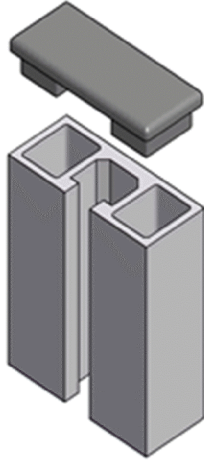
TECHN. DATA / ITEMS SUPPLIED

- ABS plastic, gray, non-aging, oil resistant

- Thickness 3mm

- **Available in black, Part # 22.1063**

- Weight - .004 kg



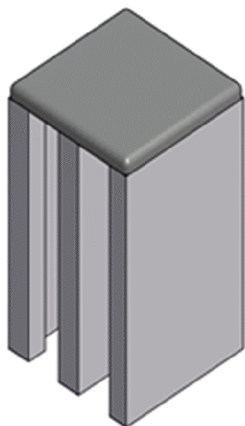
ASSEMBLY

- No processing required
- Simply press in by hand then tap with small hammer or plastic mallet



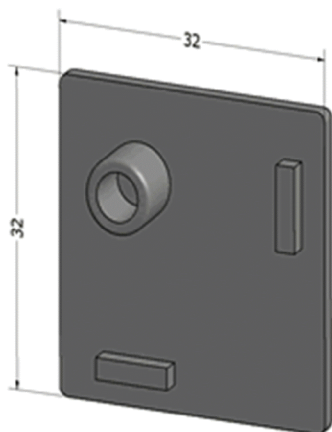
End Cap 32x32 Clamp Profile Gray

Part. N° 22.1032/1



APPLICATIONS

- End cover for Clamp Profile 32x32, Part # 20.1070

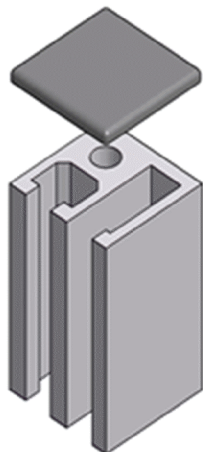


TECHN. DATA / ITEMS SUPPLIED

- ABS plastic, gray, non-aging, oil resistant

- Thickness 3mm

- Weight - .003 kg



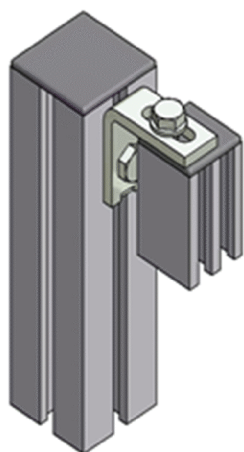
ASSEMBLY

- No processing required
- Simply press in by hand then tap with small hammer or plastic mallet



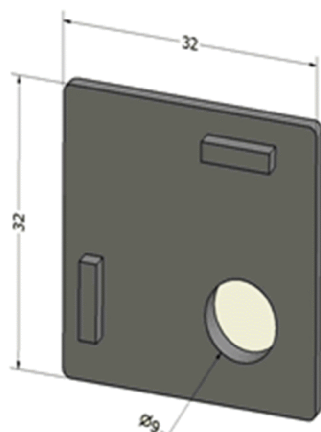
End Cap 32x32 Clamp Profile With Drilling Gray

Part. N° 22.1032/3



APPLICATIONS

- End cover for Clamp Profile 32x32, Part # 20.1070

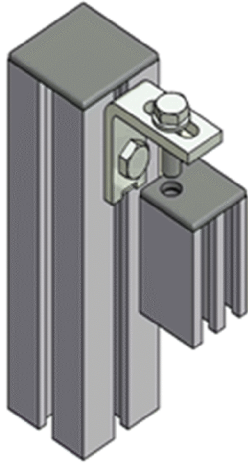


TECHN. DATA / ITEMS SUPPLIED

- ABS plastic, gray, non-aging, oil resistant

- Thickness 3mm

- Weight - .003 kg



ASSEMBLY

- Tap 32x32 Clamp Profile end with M8x1.25 Form Tap, Part # 26.1082

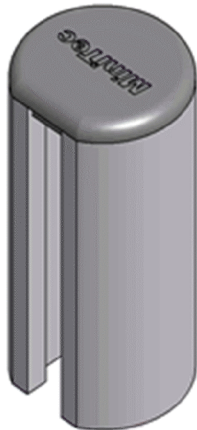
- Especially useful for machine barrier guards with removable panels

- Use with Guard Unit Fixing Angle 19, Part # 21.1399



End Cap Handle Profile 32 Gray

Part. N° 22.1023/1



APPLICATIONS

- End cover for Handle Profile 32, Part # 20.1088



TECHN. DATA / ITEMS SUPPLIED

- ABS plastic, gray, non-aging, oil resistant

- Thickness 3mm

- Weight - .005 kg



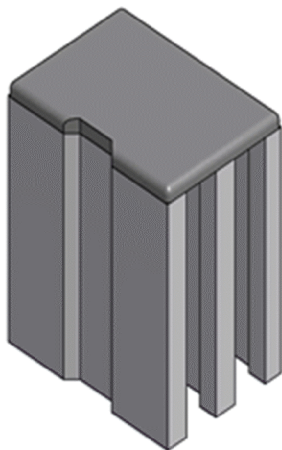
ASSEMBLY

- No processing required
- Simply press in by hand then tap with small hammer or plastic mallet



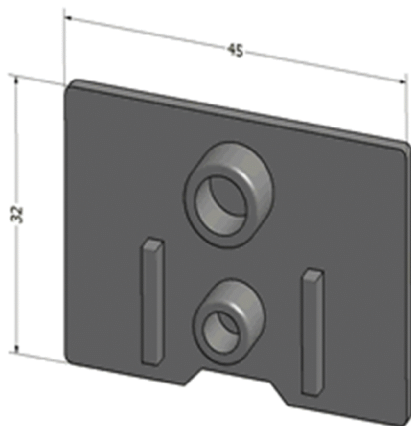
End Cap 45x32 Clamp Profile Gray

Part. N° 22.1046/1



APPLICATIONS

- End cover for Clamp Profile 45x32, Part # 20.1053



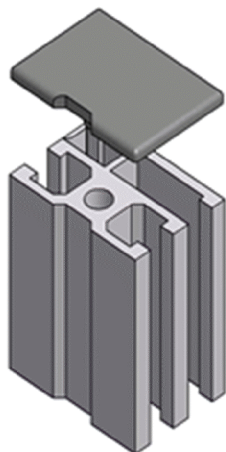
TECHN. DATA / ITEMS SUPPLIED

- ABS plastic, gray, non-aging, oil resistant

- Thickness 3mm

- **Available in black, Part # 22.1046**

- Weight - .005 kg



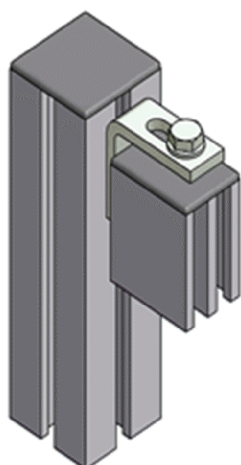
ASSEMBLY

- No processing required
- Simply press in by hand then tap with small hammer or plastic mallet



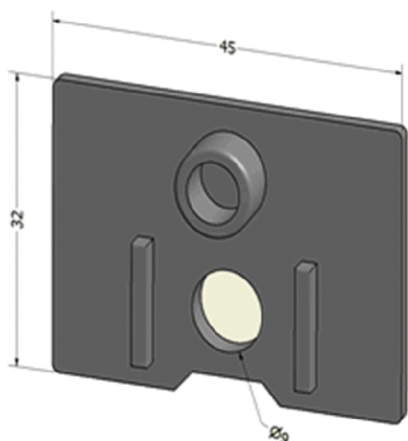
End Cap 45x32 Clamp Profile With Drilling Gray

Part. N° 22.1046/3



APPLICATIONS

- End cover for Clamp Profile 45x32, Part # 20.1053

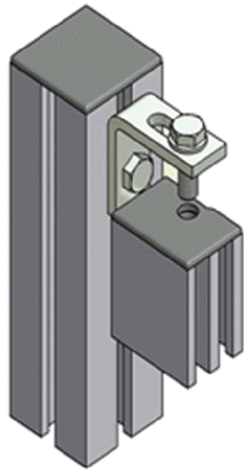


TECHN. DATA / ITEMS SUPPLIED

- ABS plastic, gray, non-aging, oil resistant

- Thickness 3mm

- Weight - .005 kg



ASSEMBLY

- Tap 45x32 Clamp Profile end with M8x1.25 Form Tap, Part # 26.1082

- Especially useful for machine barrier guards with removable panels

- Use with Guard Unit Fixing Angle 19, Part # 21.1399

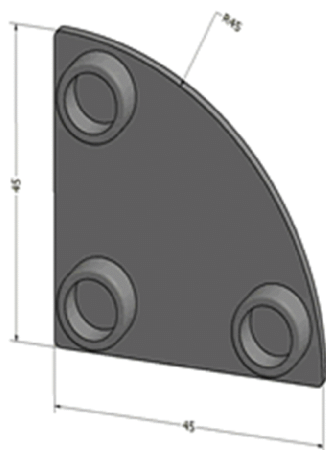
End Cap 45R90° Gray

Part. N° 22.1034/1



APPLICATIONS

- End cover for Profile 45R90°, Part # 20.1069

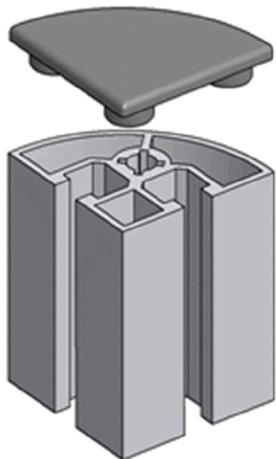


TECHN. DATA / ITEMS SUPPLIED

- ABS plastic, gray, non-aging, oil resistant

- Thickness 3mm

- Weight .006 kg



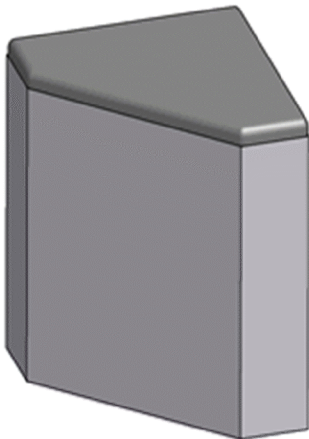
ASSEMBLY

- No processing required
- Simply press in by hand then tap with small hammer or plastic mallet



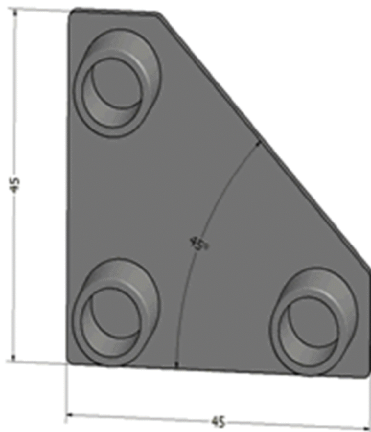
End Cap 45/45° Gray

Part. N° 22.1051/1



APPLICATIONS

- End cover for Profile 45/45°, Part # 20.1029



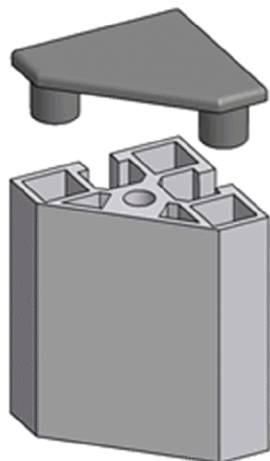
TECHN. DATA / ITEMS SUPPLIED

- ABS plastic, gray, non-aging, oil resistant

- Thickness 3mm

- Available in black, Part # 22.1051

- Weight - .006 kg



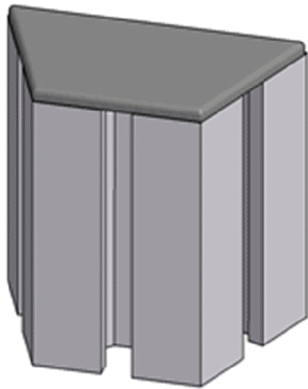
ASSEMBLY

- No processing required
- Simply press in by hand then tap with small hammer or plastic mallet



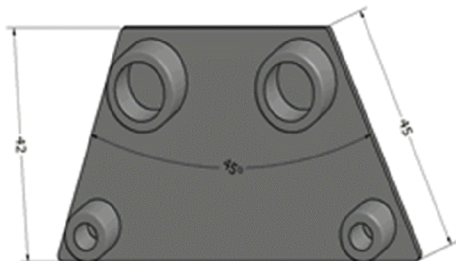
End Cap 45/22.5° Gray

Part. N° 22.1052/1



APPLICATIONS

- End cover for Profile 45/22.5°, Part # 20.1030



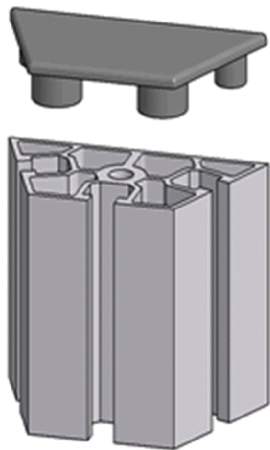
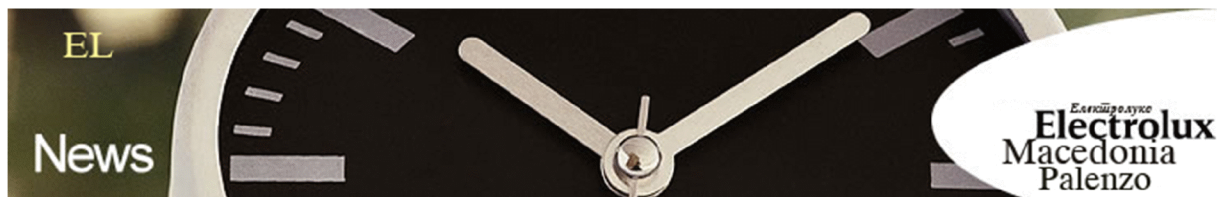
TECHN. DATA / ITEMS SUPPLIED

- ABS plastic, gray, non-aging, oil resistant

- Thickness 3mm

- Available in black, Part # 22.1052

- Weight - .011 kg



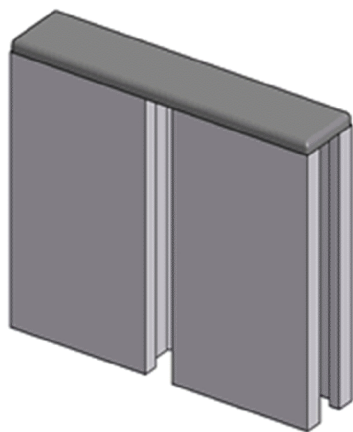
ASSEMBLY

- No processing required
- Simply press in by hand then tap with small hammer or plastic mallet



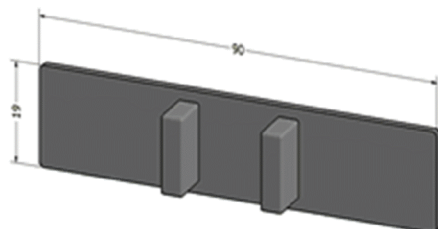
End Cap 90x19 Gray

Part. N° 22.1053/1



APPLICATIONS

- End cover for Profile 90x19, Part # 20.1031



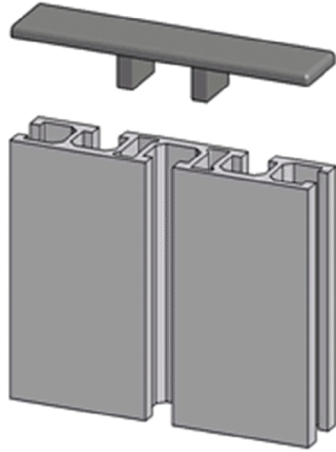
TECHN. DATA / ITEMS SUPPLIED

- ABS plastic, gray, non-aging, oil resistant

- Thickness 3mm

- **Available in black, Part # 22.1053**

- Weight - .007 kg



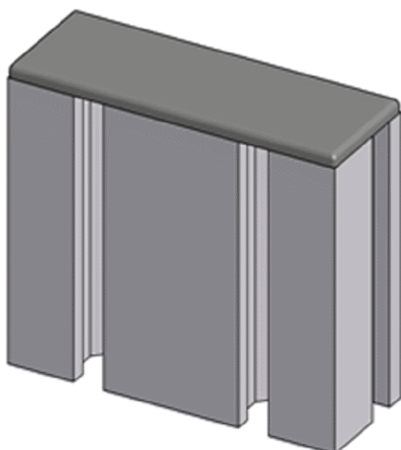
ASSEMBLY

- No processing required
- Simply press in by hand then tap with small hammer or plastic mallet



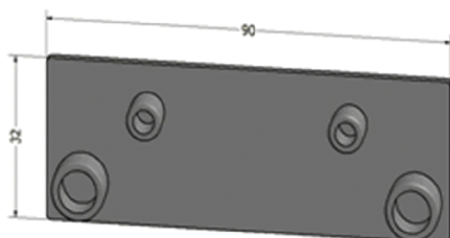
End Cap 90x32 Gray

Part. N° 22.1061/1



APPLICATIONS

- End cover for Profile 90x32, Part # 20.1066



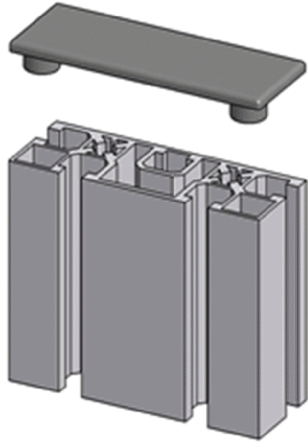
TECHN. DATA / ITEMS SUPPLIED

- ABS plastic, gray, non-aging, oil resistant

- Thickness 3mm

- Available in black, Part # 22.1061

- Weight - .01 kg



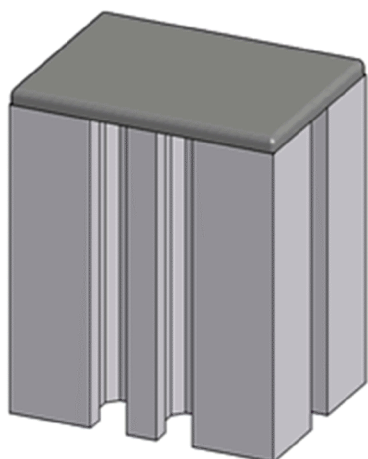
ASSEMBLY

- No processing required
- Simply press in by hand then tap with small hammer or plastic mallet



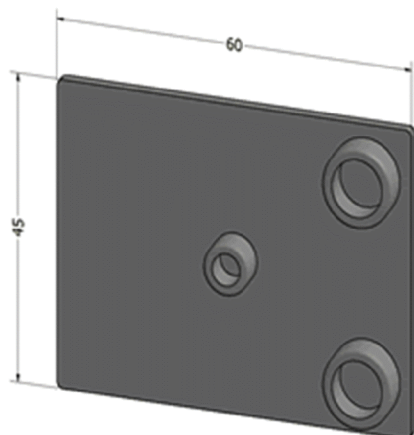
End Cap 45x60 Gray

Part. N° 22.1058/1



APPLICATIONS

- End cover for Profile 45x60 F, Part # 20.1023



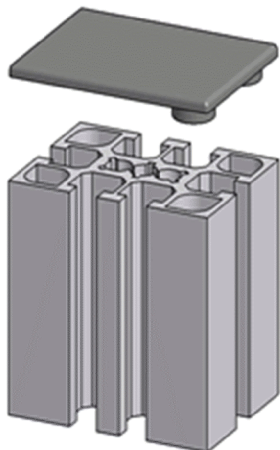
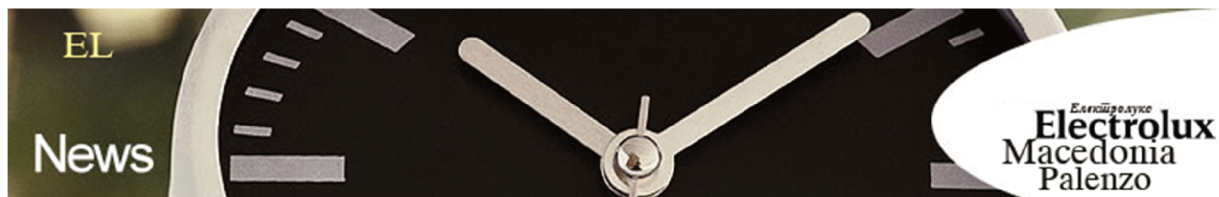
TECHN. DATA / ITEMS SUPPLIED

- ABS plastic, gray, non-aging, oil resistant

- Thickness 3mm

- **Available in black, Part # 22.1058**

- Weight - .009 kg



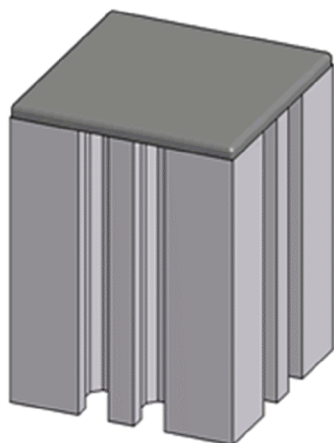
ASSEMBLY

- No processing required
- Simply press in by hand then tap with small hammer or plastic mallet



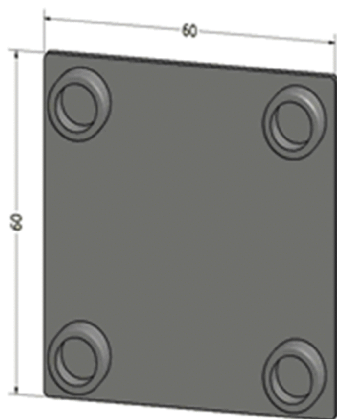
End Cap 60x60 Gray

Part. N° 22.1057/1



APPLICATIONS

- End cover for Profile 60x60 F, Part # 20.1049



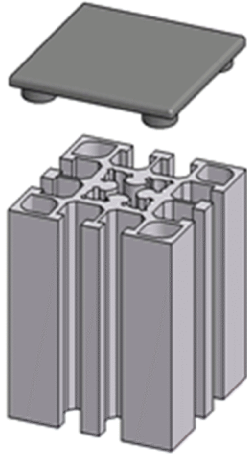
TECHN. DATA / ITEMS SUPPLIED

- ABS plastic, gray, non-aging, oil resistant

- Thickness 3mm

- Available in black, Part # 22.1057

- Weight - .012 kg



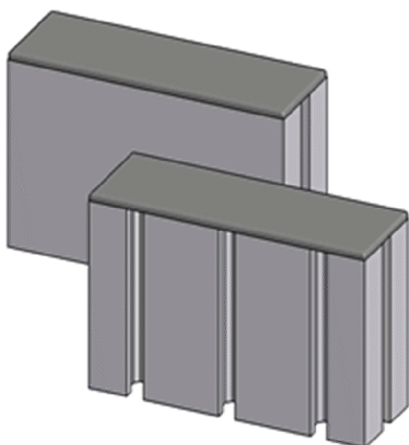
ASSEMBLY

- No processing required
- Simply press in by hand then tap with small hammer or plastic mallet



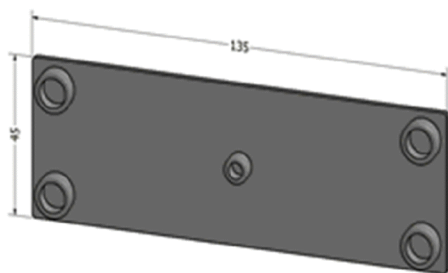
End Cap 45x135 Gray

Part. N° 22.1049/1



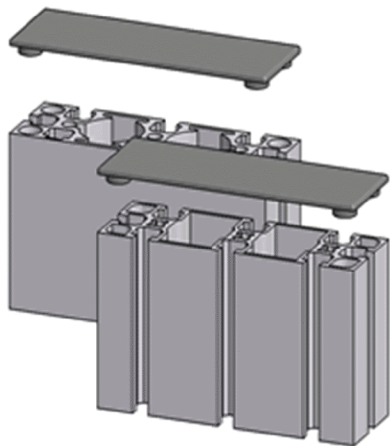
APPLICATIONS

- End cover for Profile 45x135 F, Part # 20.1087
- End cover for Profile 45x135 G, Part # 20.1078



TECHN. DATA / ITEMS SUPPLIED

- ABS plastic, gray, non-aging, oil resistant
- Thickness 3mm
- **Available in black, Part # 22.1049**
- Weight - .02kg



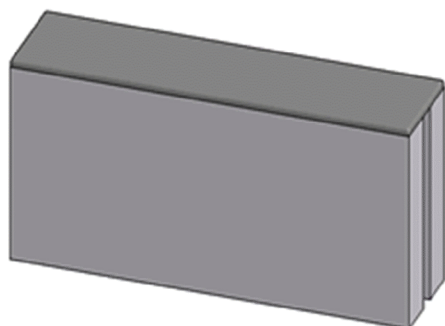
ASSEMBLY

- No processing required
- Simply press in by hand then tap with small hammer or plastic mallet



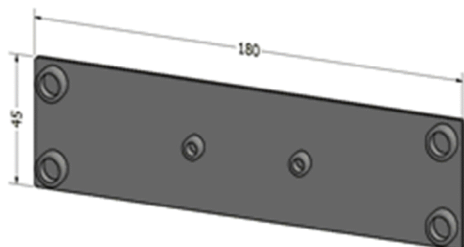
End Cap 45x180 Gray

Part. N° 22.1048/1



APPLICATIONS

- End cover for Profile 45x180 G, Part # 20.1079



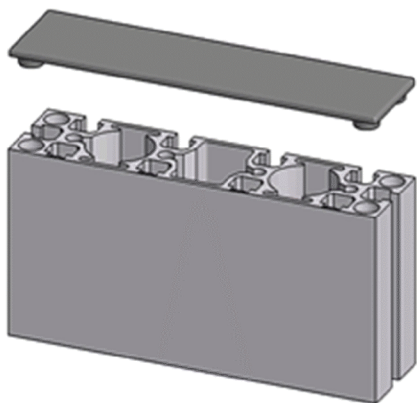
TECHN. DATA / ITEMS SUPPLIED

- ABS plastic, gray, non-aging, oil resistant

- Thickness 3mm

- Available in black, Part # 22.1048

- Weight - .027kg



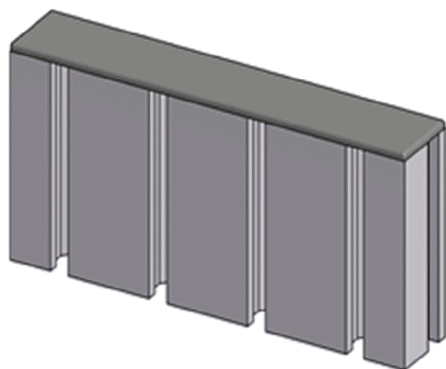
ASSEMBLY

- No processing required
- Simply press in by hand then tap with small hammer or plastic mallet



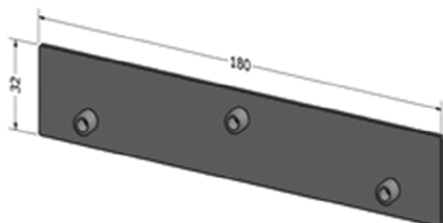
End Cap 32x180 Gray

Part. N° 22.1059/1



APPLICATIONS

- End cover for Profile 32x180, Part # 20.1016



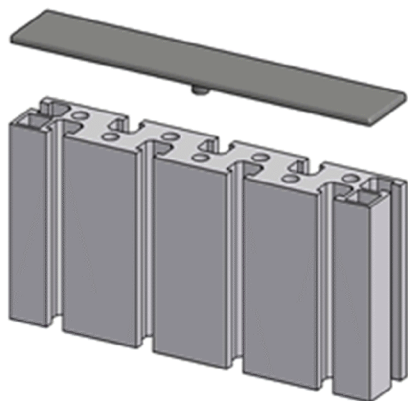
TECHN. DATA / ITEMS SUPPLIED

- ABS plastic, gray, non-aging, oil resistant

- Thickness 3mm

- Available in black, Part # 22.1059

- Weight - .019 kg



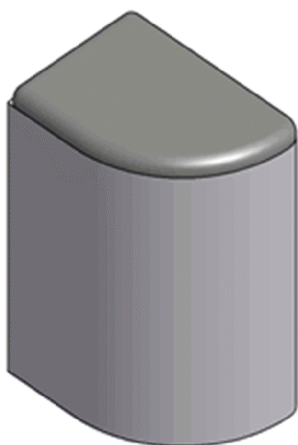
ASSEMBLY

- No processing required
- Simply press in by hand then tap with small hammer or plastic mallet



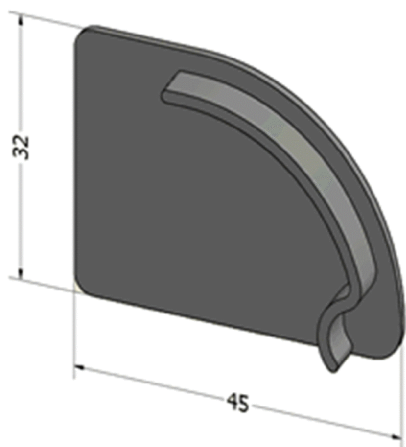
Right End Cap For Handle Profile Gray

Part. N° 22.1054



APPLICATIONS

- Right end cover for Handle Profile , Part # 20.1045



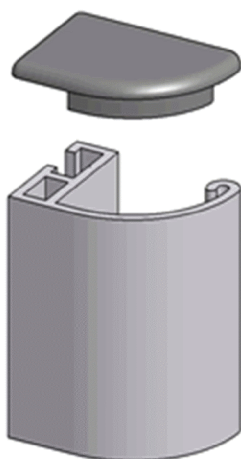
TECHN. DATA / ITEMS SUPPLIED



- ABS plastic, gray, non-aging, oil resistant

- Thickness 3mm

- Weight - .005 kg



ASSEMBLY

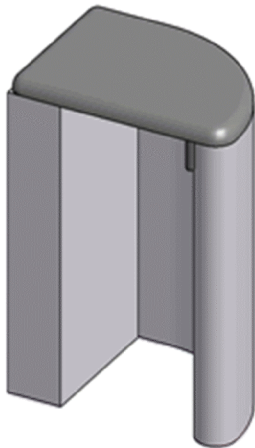
- No processing required

- Simply press in by hand then tap with small hammer or plastic mallet



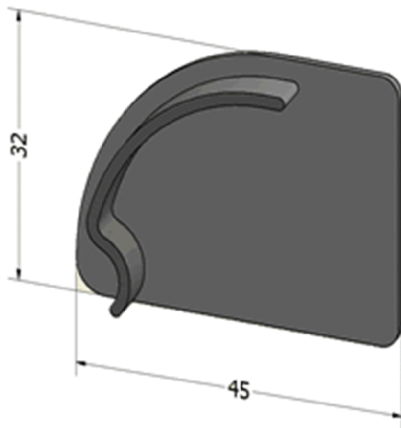
Left End Cap Handle Profile Gray

Part. N° 22.1055



APPLICATIONS

- Right end cover for Handle Profile , Part # 20.1045

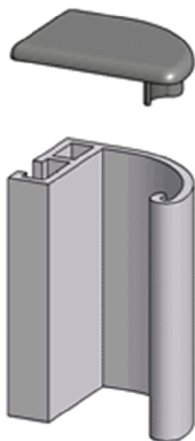


TECHN. DATA / ITEMS SUPPLIED

- ABS plastic, gray, non-aging, oil resistant

- Thickness 3mm

- Weight .005 kg

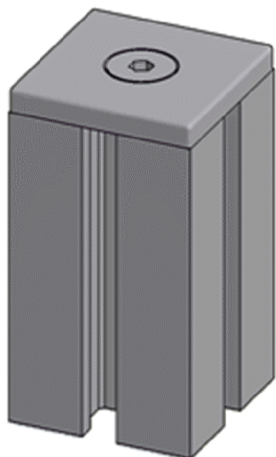


ASSEMBLY

- No processing required
- Simply press in by hand then tap with small hammer or plastic mallet

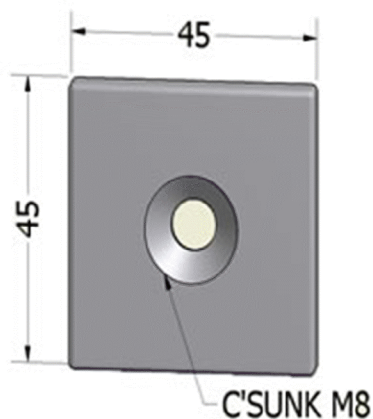
End Cap Stainless 45x45 VA

Part. N° 22.1067/5



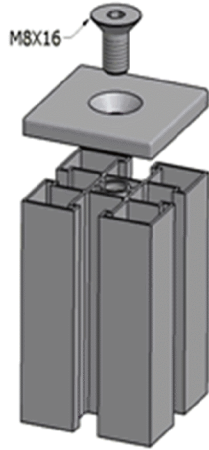
APPLICATIONS

- End cap for 45x45 VA Stainless Profile, Part # 20.2000



TECHN. DATA / ITEMS SUPPLIED

- Stainless Steel
- Thickness 5 mm
- M8x16 SS Countersunk Screw sold separately
- Weight - .077 kg



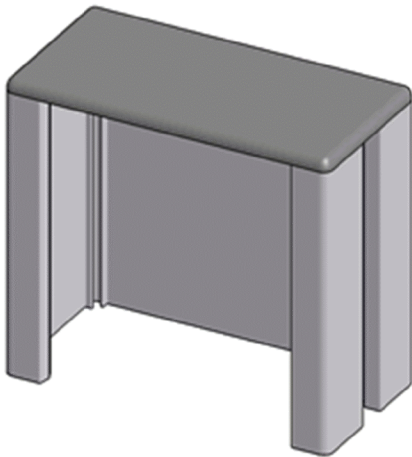
ASSEMBLY

- Tap 45x45 Profile end with M8x1.25 Form Tap, Part # 26.1082
- Screw M8x16 Countersunk thru cap & into profile



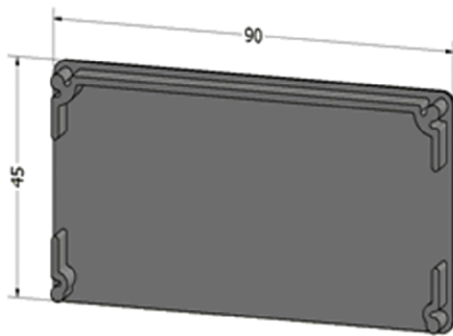
End Cap For Conduit 90 Gray

Part. N° 22.1045



APPLICATIONS

- End cover for Conduit 90, Part # 20.1056

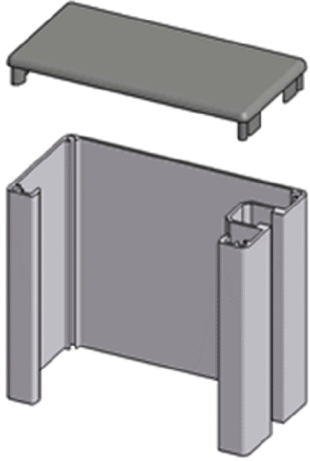


TECHN. DATA / ITEMS SUPPLIED

- ABS plastic, gray, non-aging, oil resistant

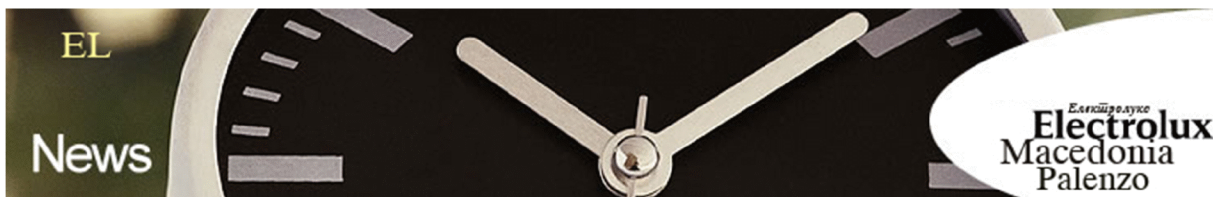
- Thickness 3mm

- Weight - .014 kg



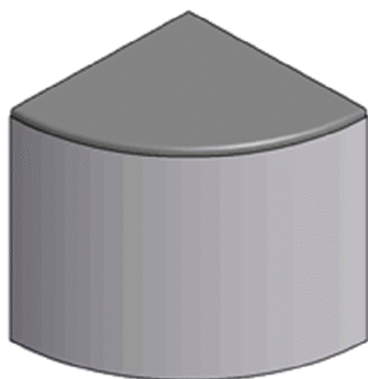
ASSEMBLY

- No processing required
- Simply press in by hand then tap with small hammer or plastic mallet



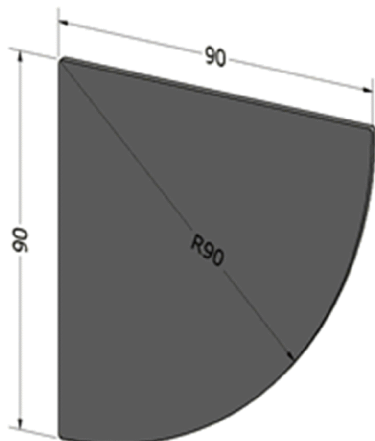
End Cap 90R90° Gray

Part. N° 22.1021/1



APPLICATIONS

- End cover for Profile 90R90°, Part # 20.1091

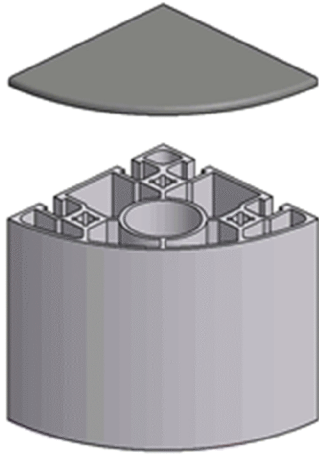


TECHN. DATA / ITEMS SUPPLIED

- ABS plastic, gray, non-aging, oil resistant

- Thickness 3mm

- Weight - .019 kg



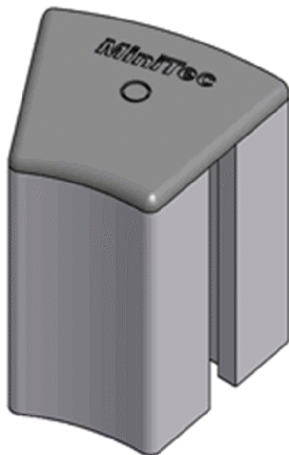
ASSEMBLY

- No processing required
- Simply press in by hand then tap with small hammer or plastic mallet



End Cap 45 R 30° Gray

Part. N° 22.1019/1



APPLICATIONS

- End cover for Profile 45R30°, Part # 20.1094

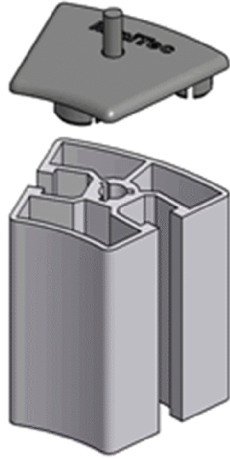


TECHN. DATA / ITEMS SUPPLIED

- ABS plastic, gray, non-aging, oil resistant

- Thickness 3mm

- Weight .006 kg



ASSEMBLY

- No processing required
- Simply press in by hand then tap pin into center bore with small hammer or plastic mallet
- Push pin thru end cap to remove cap from profile



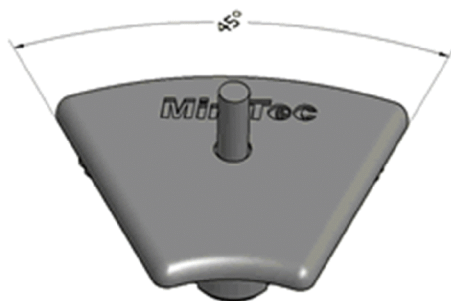
End Cap 45 R 45° Gray

Part. N° 22.1017/1



APPLICATIONS

- End cover for Profile 45R45°, Part # 20.1095

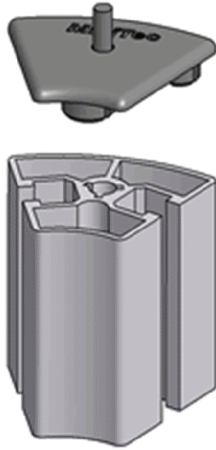


TECHN. DATA / ITEMS SUPPLIED

- ABS plastic, gray, non-aging, oil resistant

- Thickness 3mm

- Weight .006 kg



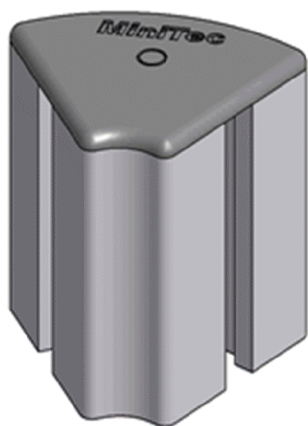
ASSEMBLY

- No processing required
- Simply press in by hand then tap pin into center bore with small hammer or plastic mallet
- Push pin thru end cap to remove cap from profile



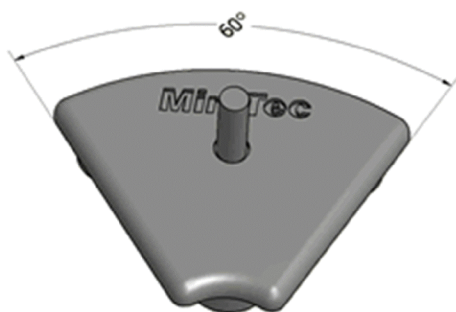
End Cap 45 R 60° Gray

Part. N° 22.1018/1



APPLICATIONS

- End cover for Profile 45R45°, Part # 20.1096

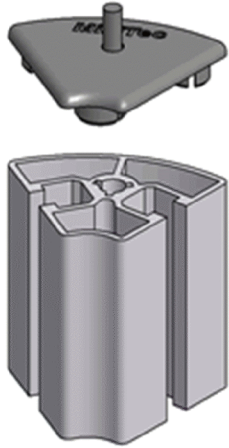


TECHN. DATA / ITEMS SUPPLIED

- ABS plastic, gray, non-aging, oil resistant

- Thickness 3mm

- Weight - .006 kg

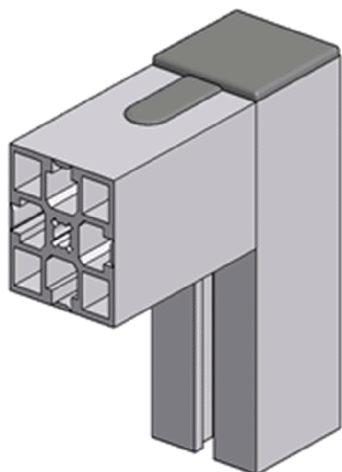


ASSEMBLY

- No processing required
- Simply press in by hand then tap pin into center bore with small hammer or plastic mallet
- Push pin thru end cap to remove cap from profile

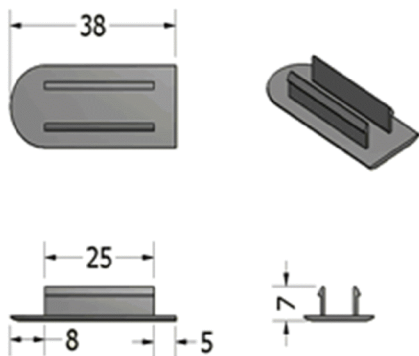
End Cap G

Part. N° 22.1056/1



APPLICATIONS

- Cap for covering Power-Lock access slot on G series profiles



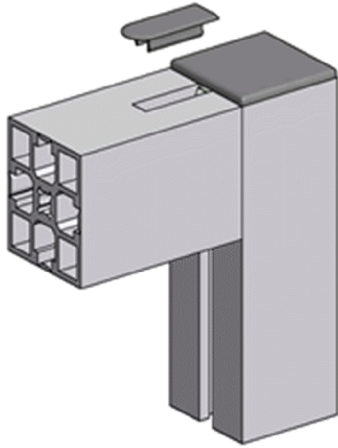
TECHN. DATA / ITEMS SUPPLIED

- Polyamide 6, gray

- Thickness 1 mm

- Weight

- .002 kg



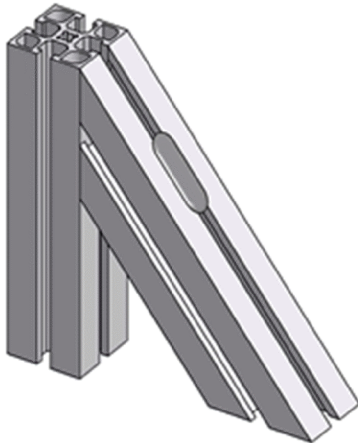
ASSEMBLY

- Tear out 32mm of slot cover using Tear Out Lever, Part # 26.0815
- Simply press in by hand



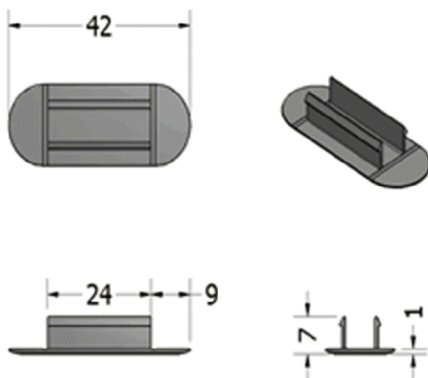
End Cap GL

Part. N° 22.1208/1



APPLICATIONS

- Cap for covering counterbore for strengthening element screw connection

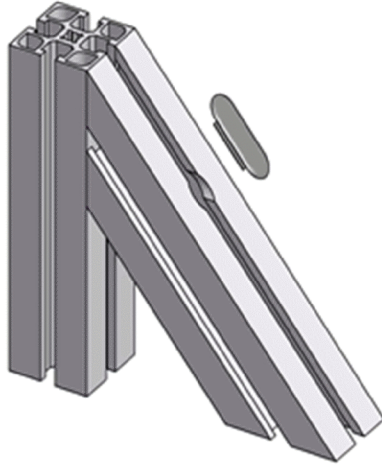


TECHN. DATA / ITEMS SUPPLIED

- Polyamide 6, gray

- Thickness 1 mm

- Weight - .002 kg



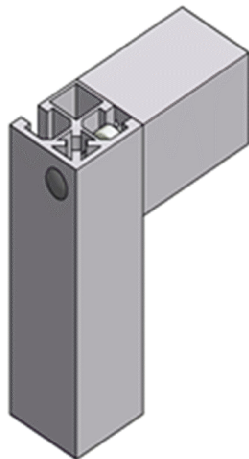
ASSEMBLY

- No processing required
- Simply press in by hand



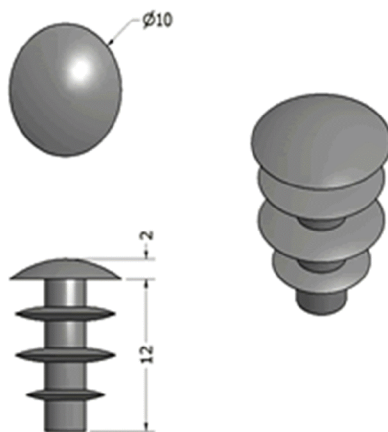
Hole End Cap 7

Part. N° 22.1200/1



APPLICATIONS

- Cap for Ø7mm holes



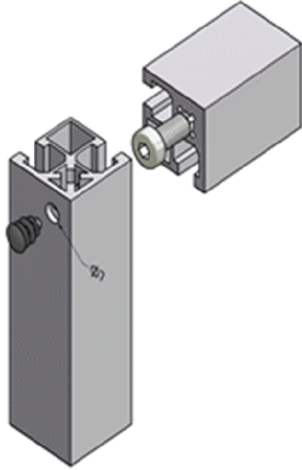
TECHN. DATA / ITEMS SUPPLIED

- Polyethylene, gray

- Thickness 2 mm

- Available in black, Part # 22.1200

- Weight - .001 kg



ASSEMBLY

- Tap into Ø7mm hole with small plastic mallet



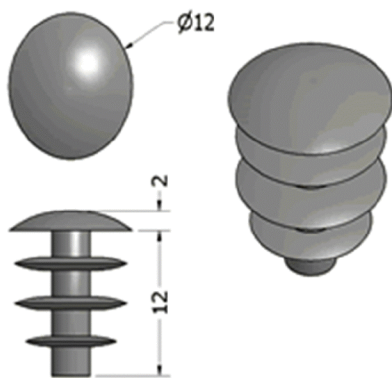
Hole End Cap Ø9

Part. N° 22.1201/1



APPLICATIONS

- Cap for Ø9mm holes



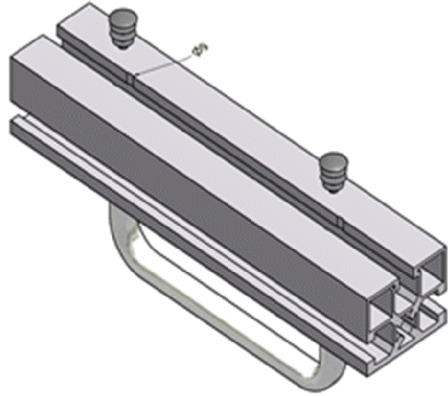
TECHN. DATA / ITEMS SUPPLIED

- Polyethylene, gray

- Thickness 2 mm

- Available in black, Part # 22.1200

- Weight - .001 kg



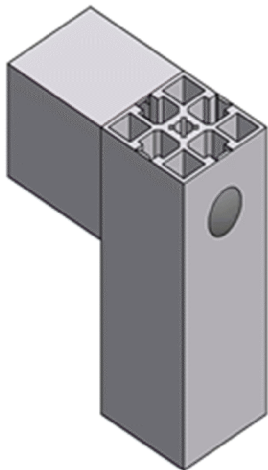
ASSEMBLY

- Tap into Ø9mm hole with small plastic mallet



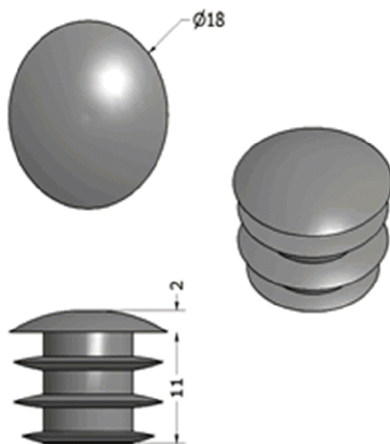
Hole End Cap Ø15

Part. N° 22.1202/1



APPLICATIONS

- Cap for Ø15mm holes



TECHN. DATA / ITEMS SUPPLIED

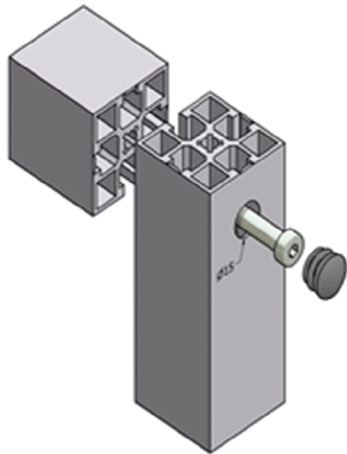
- Polyethylene, gray

- Thickness 2 mm

- **Available in black, Part # 22.1202**

- Weight

- .001 kg

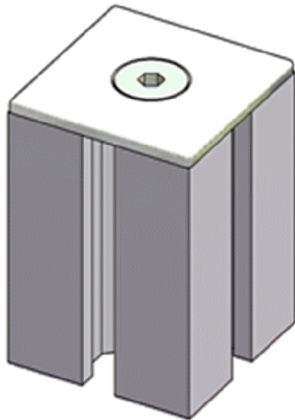


ASSEMBLY

- Tap into Ø15mm hole with small plastic mallet

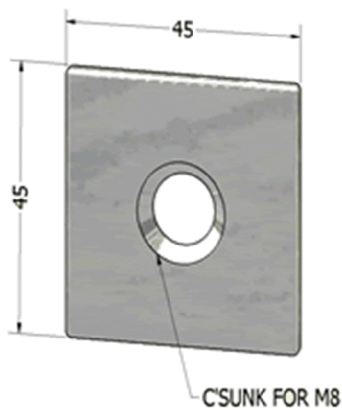
End Cap 45x45 AL

Part. N° 22.1067/2



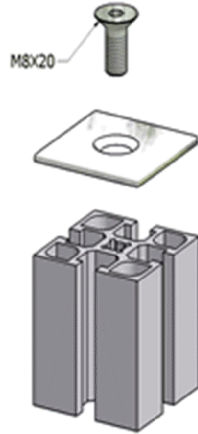
APPLICATIONS

- End cover for 45x45 profiles



TECHN. DATA / ITEMS SUPPLIED

- Aluminum, anodized
- Thickness 2.5 mm
- M8x20 Countersunk screw sold separately
- Weight - .012 kg



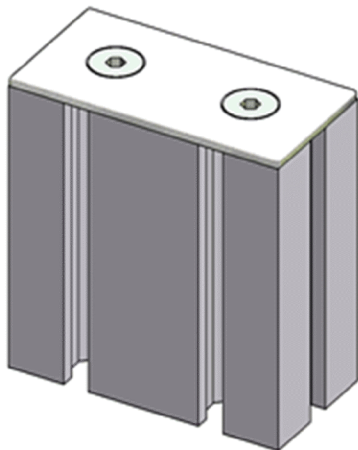
ASSEMBLY

- Tap 45x45 Profile end with M8x1.25 Form Tap, Part # 26.1082
- Screw M8x20 Countsunk thru cap & into profile



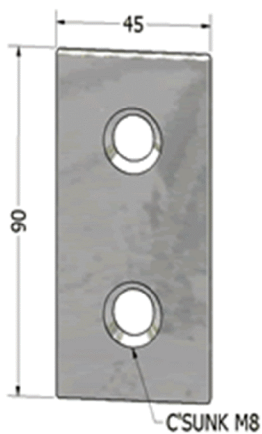
End Cap 45x90 AL

Part. N° 22.1068/2



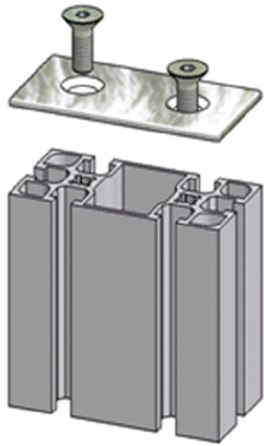
APPLICATIONS

- End cover for 45x90 profiles



TECHN. DATA / ITEMS SUPPLIED

- Aluminum, anodized
- Thickness 2.5 mm
- Qty 2, M8x20 Countersunk screw sold separately
- Weight - .024 kg



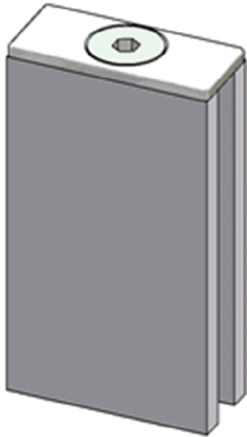
ASSEMBLY

- Tap both 45x90 Profile center holes with M8x1.25 Form Tap, Part # 26.1082

- Screw both M8x20 Countersunks thru cap & into profile

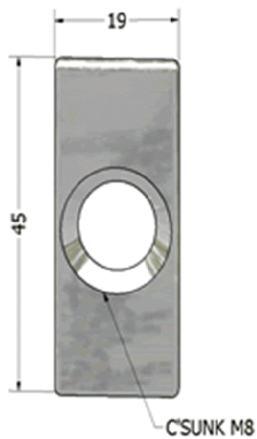
End Cap 19x45 AL

Part. N° 22.1064/2



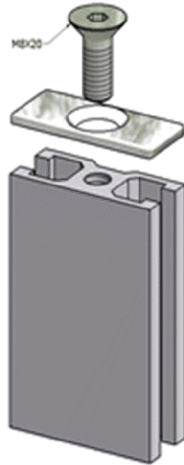
APPLICATIONS

- End cover for 19x45 Profile, Part # 20.1001



TECHN. DATA / ITEMS SUPPLIED

- Aluminum, anodized
- Thickness 2.5 mm
- Qty 1, M8x20 Countersunk screw sold separately
- Weight - .005 kg



ASSEMBLY

- Tap center hole of 19x45 Profile with M8x1.25 Form Tap, Part # 26.1082

- Screw M8x20 Countersunk thru cap & into profile