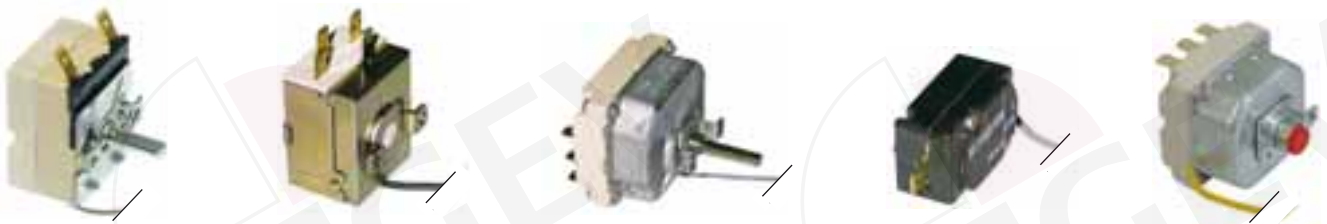




# ***THERMOSTATS***

## *Thermostats and safety thermostats*



## *Contact thermostats, thermostats with feedback display, rod thermostats and cooling thermostats*



## *Accessories*



**GEV Großküchen-Ersatzteil-Vertrieb GmbH**

**Member of the GEV GROUP**

Robert-Koch-Straße 3a  
82152 Planegg/Munich  
Germany

Phone: +49 (0)89 745572-0  
Fax: +49 (0)89 745572-83  
order@gev-online.com  
www.gev-online.com

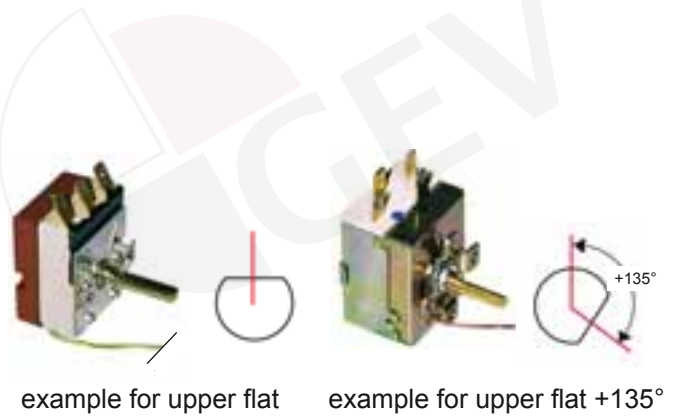
T

Thermostats

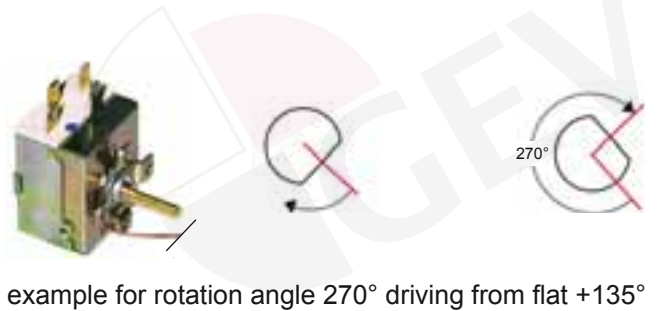
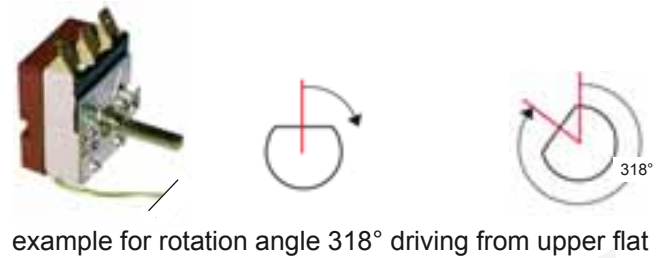
## Key

function: NO= ordinary open  
NC= ordinary closed  
CO= change over

spindle position: indicates spindle flat at the 0-position.  
This specification is valid for horizontal fixing.



rotation angle: indicates the axis' rotation area from 0-position to max.-position.



**BE CAREFUL:** 0,5A thermostats are suited only for gas devices or devices with electronic control!

### Thermostats with standard sensor



page 4

### Thermostats with special sensor



page 16

T  
Thermostats

## Safety thermostats with standard sensor



page 20

## Safety thermostats with special sensor



page 29

## Contact thermostats, thermal fuses



page 32

## Thermostats with real value - display



page 35

## Rod thermostats



page 36

## Cooling thermostats



page 37

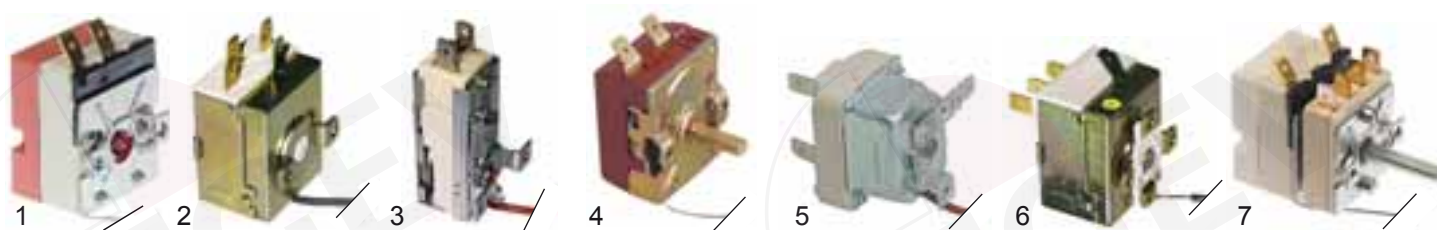
## Accessories



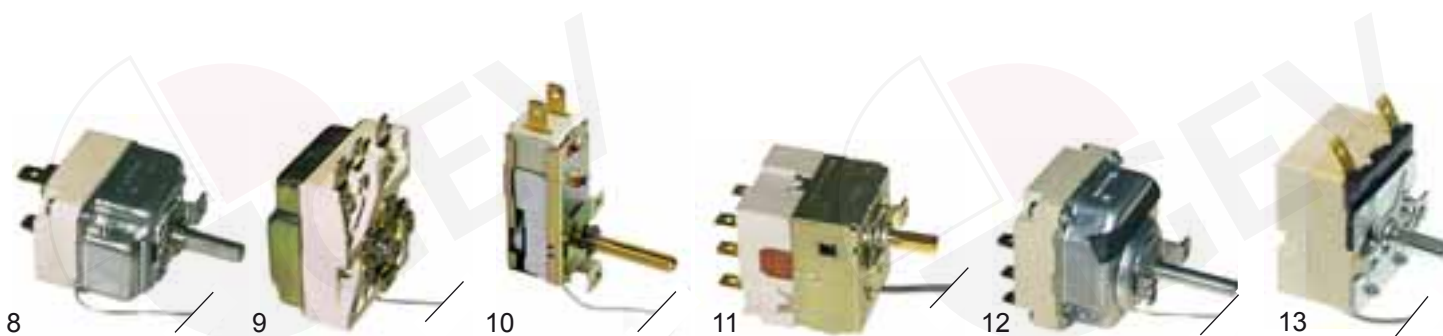
page 40

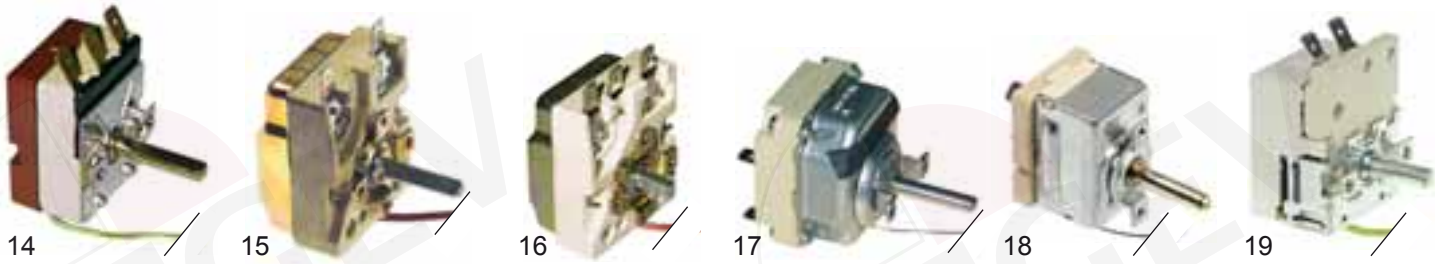


## thermostats with standard sensor

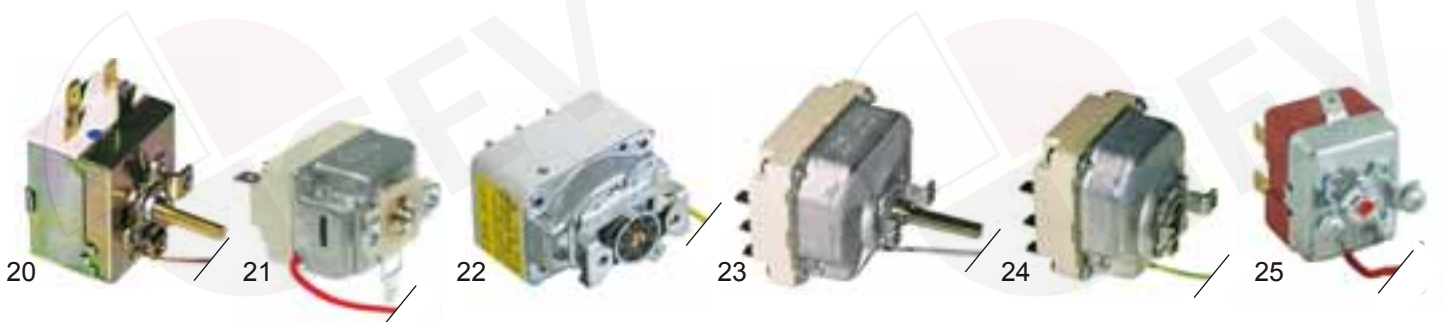


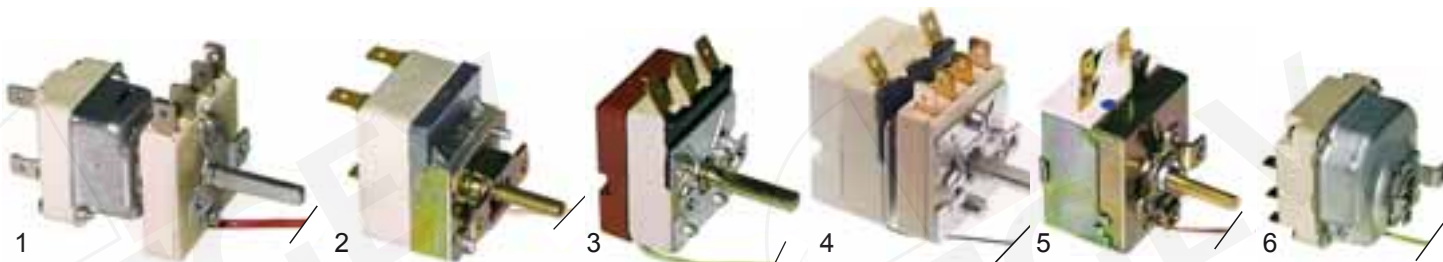
item	order no.	operable temperature range (°C)	outer switch	number of poles	function	switch power	sensor ø x L (mm)	capillary pipe (mm)	capillary pipe insulated (mm)	gland	axis length (mm)	spindle position	rotation angle
1	375717	40 fixed	-	1	INO	16A	3,1x201	390	-	-	-	-	-
2	390186	52 fixed	-	1	ICO	16A	6,5x95	1000	1000	-	-	-	-
3	390316	53 fixed	-	1	INC	16A	6x116	600	600	-	-	-	-
4	375168	30-55	-	1	INO	16A	6x105	880	-	-	16	upper	270°
5	375360	55 fixed	-	1	ICO	16A	6x130	900	900	-	-	-	-
6	390193	56 fixed	-	1	ICO	16A	6,5x95	1500	1500	-	-	-	-
2	390314	60 fixed	-	1	ICO	15A	6,5x95	2100	2100	-	-	-	-
	390415	60 fixed	-	1	ICO	16A	6x129	1470	1430	-	-	-	-
5	375207	65 fixed	-	1	ICO	16A	6x74	900	-	M10x1	-	-	-
	375113	76 fixed	-	1	ICO	16A	3,1x226	870	870	-	-	-	-
1	375810	80 fixed	-	1	INC	16A	7,5x30,5	810	-	-	-	-	-
7	375743	30-80	2NO	1	INO	16A	6x115	1430	-	-	23	upper	270°
1	375703	80 fixed	-	1	INC	16A	6x94	1470	1100	-	-	-	-
8	390307	30-82	-	1	ICO	16A	3x156	600	600	-	8,5	right	180°
9	390467	30-82	-	1	ICO	16A	6x148	900	-	-	-	-	260°
10	375239	30-83	-	1	INO	16A	6x113	1480	700	-	25	upper	270°
11	390014	40-78 47-85	-	1 1	ICO ICO	16A 16A	6,5x95	1500	1500	-	13	right	270°
12	375161	15-60 15-85	-	1 1	ICO ICO	16A 16A	6x113	2980	300/300	-	23	upper	270°
13	375727	20-85	-	1	INO	16A	4x124	870	790	-	15	upper	270°
	375005	30-85	-	1	INO	16A	6x92	830	-	-	23	upper	270°
14	375145	30-85	-	1	ICO	16A	6x113	2930	500/300	-	23	upper	270°
15	375334	30-85	-	1	INO	16A	6x130	900	900	-	23	upper	270°
16	390004	30-85	-	1	ICO	15A	6x130	600	600	-	8	upper	270°
8	375211	30-85	-	1	ICO	16A	6x130	900	900	-	23	upper	270°
17	375019	30-85	-	3	3NO	16A	6x131	1440	-	M9x1	23	upper	270°
	375414	30-85	-	1	ICO	16A	6x73	1540	1400	M9x1	23	upper	270°
14	375006	30-85	-	1	ICO	16A	6x92	3150	300	-	23	upper	270°
	375802	30-85	-	1	ICO	16A	6x94	830	-	-	23	upper	270°
	390300	30-85	-	1	ICO	16A	6x94	870	850	-	15	upper	270°
18	375674	30-85	-	1	INO	16A	6x94	840	-	-	23	upper	270°



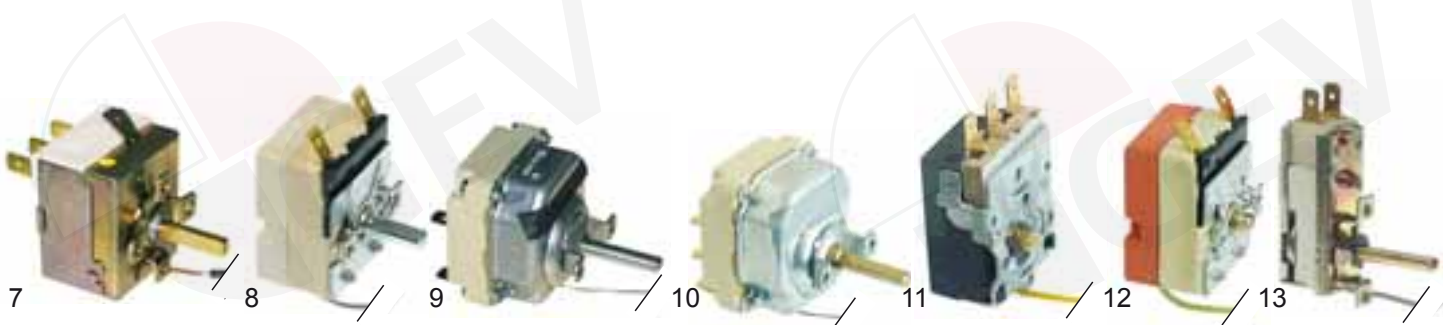


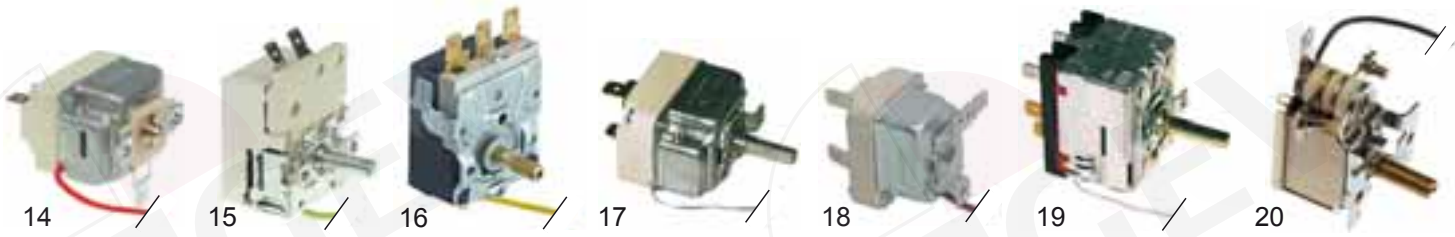
item	order no.	operable temperature range (°C)	outer switch	number of poles	function	switch power	sensor ø x L (mm)	capillary pipe (mm)	insulated (mm)	gland	axis length (mm)	spindle position	rotation angle
19	375715	35-85	-	1	1NO	16A	6x113	2020	500	-	15	right	270°
	390416	85 fixed	-	1	1CO	16A	6x129	1470	1430	-	-	-	-
5	390417	85 fixed	-	1	1CO	16A	6x173	1470	1430	-	-	-	-
	375806	85 fixed	-	1	1CO	16A	6x75	900	700	-	-	-	-
20	390006	26-86	-	1	1CO	16A	6,5x95	1500	1500	-	19	+135°	270°
	375805	0-90	-	1	1CO	15A	6,5x90	1000	900	-	-	-	270°
2	390421	30-90	-	1	1CO	16A	6,5x95	1500	1500	-	-	-	270°
3	390192	0-90	-	1	1CO	16A	6,5x95	2000	2000	-	19	upper	270°
8	375534	19-90	-	1	1CO	16A	6x129	980	960	-	-	-	180°
21	375696	19-90	-	1	1CO	16A	6x129	2970	2850	-	-	-	180°
22	390245	0-70	-	1	1CO	16A	6x145	480	250	-	-	-	315°
		20-90	-	1	1CO	16A							
23	375061	30-82	-	1	1CO	16A	6x215	880	800	-	23	upper	270°
		38-90	-	3	3CO	16A							
24	375018	55 fixed	-	1	1CO	16A	6x175	360	210	-	-	-	-
		90 fixed	-	1	1CO	16A							
	375361	75 fixed	-	1	1CO	16A	6x130	900	900	-	-	-	-
		90 fixed	-	1	1CO	16A							
375669	75 fixed	-	1	1CO	16A	6x130	900	900	-	-	-	-	
	90 fixed	-	1	1CO	16A								
14	375085	30-90	-	1	1CO	16A	3,1x242	1430	1400	-	23	upper	270°
25	390465	30-90	-	1	1CO	16A	6,5x72	1500	1450	-	-	-	-
6	390460	30-90	-	1	1CO	16A	6,5x95	2000	2000	-	-	-	270°
	390040	30-90	-	1	1NO	16A	6x130	900	-	-	-	-	270°
8	375231	30-90	-	1	1NO	16A	6x130	900	600	M9x1	18	upper	270°
	375381	30-90	-	1	1NO	16A	6x130	2000	2000	-	23	upper	270°
	375539	30-90	-	1	1NO	16A	6x130	2450	-	-	23	upper	270°
	375632	30-90	-	1	1CO	16A	6x130	1300	850	M10x1	23	upper	270°
	390032	30-90	-	1	1CO	16A	6x130	2500	-	M10x1	23	upper	270°
	375809	30-90	-	1	1NO	16A	6x130	1800	1800	-	23	upper	270°
375135	30-90	-	1	1CO	16A	6x173	900	-	-	23	upper	270°	
9	390030	30-90	-	1	1CO	15A	6x174	1250	-	-	-	-	260°



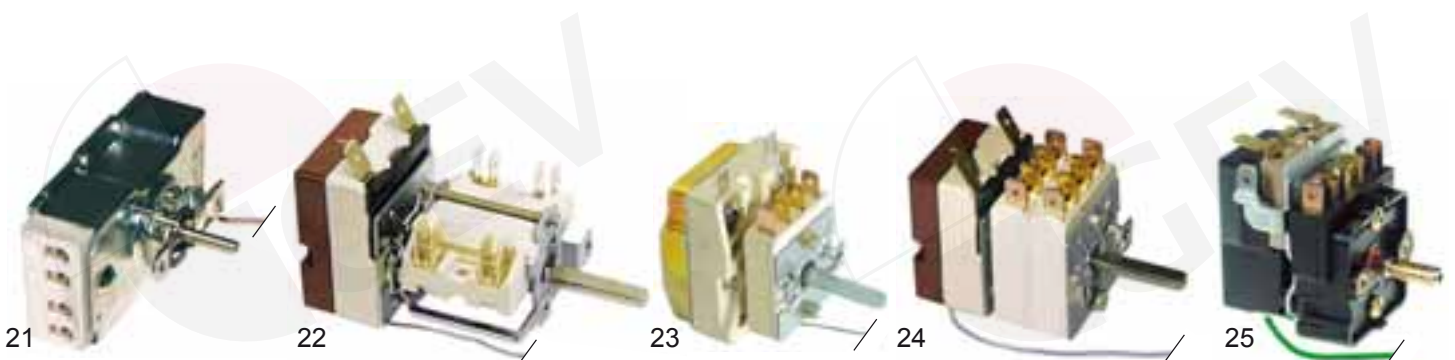


item	order no.	operable temperature range (°C)	outer switch	number of poles	function	switch power	sensor ø x L (mm)	capillary pipe (mm)	insulated (mm)	gland	axis length (mm)	spindle position	rotation angle
1	390039	30-90	2NO	1	1CO	16A	6x173	980	980	-	23	upper	270°
2	390082	30-90	-	1	1CO	16A	6x94	1600	-	-	-	-	270°
	375609	30-90	-	1	1CO	16A	6x95	1600	1550	-	-	-	270°
3	375400	30-90	-	1	1CO	16A	6x98	2380	1700	M9x1	-	upper	270°
4	375405	30-90	2NO	1	1CO	16A	6x98	2380	1700	M9x1	18	upper	270°
5	390022	30-90	-	1	1CO	16A	9,5x50	1000	1000	-	19	+135	270°
3	375130	32-90	-	1	1CO	16A	6x129	710	500	-	23	upper	270°
6	375210	38-90	-	3	3CO	16A	6x215	900	900	-	-	-	270°
3	375712	30-91	-	1	1CO	16A	3,1x201	1730	210	-	15	upper	270°
8	375304	28-93	-	1	1NO	16A	3,1x244	710	650	-	23	upper	270°
9	375411	30-93	-	3	3NO	16A	6x129	1480	1100	M10x1	23	upper	270°
	375212	30-93	-	2	2NO	16A	6x173	1780	-	M9x1	23	upper	270°
10	375305	30-93	-	2	2CO	16A	6x175	870	-	M9x1	23	upper	270°
	375174	30-93	-	3	3CO	16A	6x235	880	700	M9x1	23	upper	270°
3	375526	31-93	-	1	1CO	16A	6x98	2380	-	M9x1	23	upper	270°
11	390243	0-95	-	1	1CO	16A	6x140	3000	50	-	-	-	270°
16	390127	0-95	-	1	1CO	16A	6x145	480	430	-	17	bottom	270°
11	390242	0-95	-	1	1CO	16A	6x150	480	420	-	-	-	270°
	390131	0-95	-	1	1CO	16A	8x135	880	850	-	-	-	270°
12	390472	27-95	-	1	1NO	16A	4x203	1230	800	-	-	-	270°
13	375716	30-95	-	1	1NO	10A	6x113	1480	700	-	25	upper	270°
14	390349	30-95	-	1	1CO	16A	6x138	860	-	M9x1	-	-	270°
15	375729	34-95	-	1	1NO	16A	6x113	1470	-	-	25	right	270°
10	375566	82-96	-	1	1CO	16A	6x147	870	-	M9x1	23	upper	120°
17	375042	50-98	-	1	1CO	16A	3,1x334	2410	1400	M9x1	23	upper	270°
18	375654	99 fixed	-	1	1CO	16A	6x74	900	900	-	-	-	-
19	375080	30-90	-	1	1CO	16A	3,1x334	1440	1400	-	23	upper	270°
		50-102	-	1	1CO	16A							
3	375415	52-105	-	1	1CO	16A	3,03x201	2380	2200	M9x1	23	upper	270°





item	order no.	operable temperature range (°C)	outer switch	number of poles	function	switch power	sensor ø x L (mm)	capillary pipe (mm)	insulated (mm)	gland	axis length (mm)	spindle position	rotation angle
9	375640	20-90 40-110	-	1 2	1NO 2NO	16A 16A	6x130	900	900	-	23	upper	270°
12	390395	27-110	-	1	1NO	16A	6x113	520	350	M9x0,75	-	-	310°
3	375008	30-110	-	1	1CO	16A	3,1x197	3150	300	-	23	upper	270°
20	375761	30-110	-	1	1NO	16A	4x120	1600	130	-	15	upper	318°
13	390079	30-110	-	1	1NO	10A	4x153	1480	-	-	23	bottom	270°
21	375031	30-110	-	2	2NO	15A	6,5x229	900	-	-	17	right	318°
8	375007	30-110	-	1	1NO	16A	6x113	870	-	M9x1	23	upper	270°
3	375136	30-110	-	1	1CO	16A	6x113	870	-	-	23	upper	270°
24	375053	30-110	2x2NO	1	1NO	16A	6x113	830	800	-	23	upper	270°
4	375406	30-110	2NO	1	1CO	16A	6x113	2380	1700	M9x1	18	upper	270°
22	390179	30-110	2NO	1	1NO	16A	6x113	1430	-	-	23	upper	270°
8	375567	30-110	-	1	1NO	16A	6x115	1130	800	-	23	upper	270°
	375705	30-110	-	1	1NO	16A	6x115	1430	-	M9x1	23	upper	270°
23	375346	30-110	2NO	1	1NO	15A	6x130	900	900	-	23	upper	318°
17	375546	30-110	-	1	1NO	16A	6x130	900	900	-	15	upper	318°
	375386	30-110	-	1	1NO	16A	6x130	2000	2000	-	23	upper	318°
	375055	30-110	-	1	1CO	16A	6x130	1500	-	-	23	upper	318°
	375630	30-110	-	3	3NO	16A	6x131	900	-	M9x1	23	upper	318°
9	375188	30-110	-	3	3NO	16A	6x131	1160	-	-	23	upper	310°
	375671	30-110	-	3	3NO	16A	6x131	1200	600	-	23	upper	318°
17	375001	30-110	-	1	1NO	16A	6x138	900	-	M9x1	23	upper	270°
1	375114	30-110	2NO	1	1NO	16A	6x140	370	-	-	23	upper	270°
16	375702	30-110	-	1	1NO	16A	6x140	2400	1700	-	17	upper	270°
25	375738	30-110	2NO	1	1NO	16A	6x140	1650	1400	-	17	upper	270°
16	375739	30-110	-	1	1NO	16A	6x140	1600	1560	-	24	upper	270°
23	390034	30-110	2NO	1	1NO	15A	6x174	900	-	-	23	upper	318°
2	375094	30-110	-	1	1CO	16A	6x75	1600	-	-	-	-	270°
17	375647	31-110	-	1	1NO	16A	6x133	870	-	-	23	upper	318°
1	375555	32-110	2NO	1	1NO	16A	6x129	870	870	-	23	left	318°
9	375143	32-110	-	3	3NO	16A	6x138	1480	1100	M9x1	23	upper	270°
10	375021	32-110	-	3	3CO	16A	6x138	2980	2200	M9x1	23	upper	270°



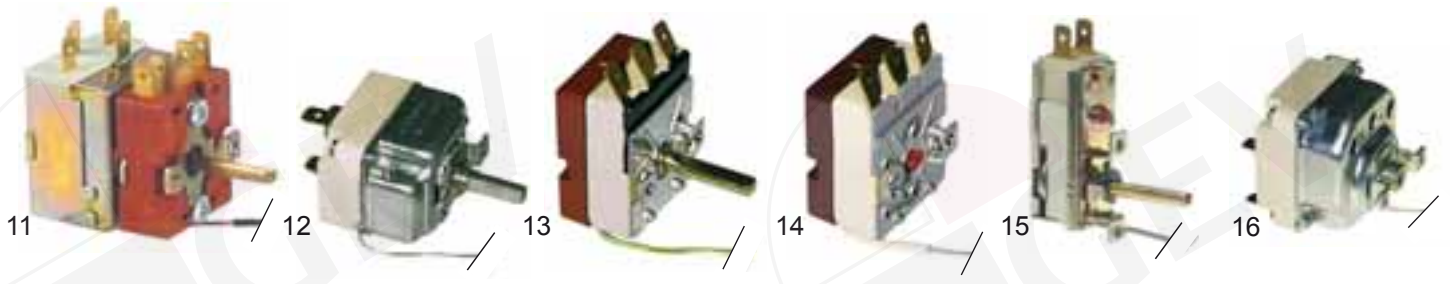




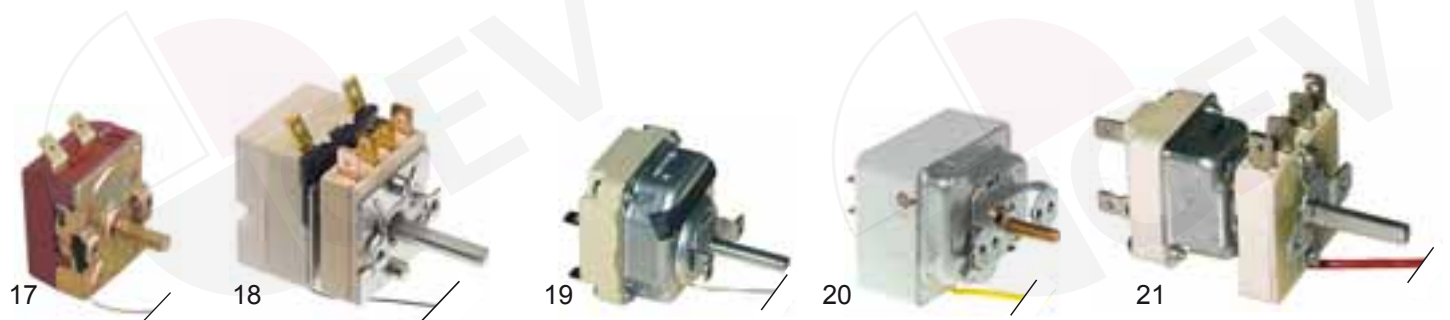
item	order no.	operable temperature range (°C)	outer switch	number of poles	function	switch power	sensor ø x L (mm)	capillary pipe (mm)	insulated (mm)	gland	axis length (mm)	spindle position	rotation angle
1	375592	32-110	2x2NO	3	3NO	16A	6x138	1180	1100	-	23	upper	270°
2	375607	110 fixed	-	1	1CO	16A	3x219	900	800	M9x1	-	-	-
3	375725	30-115	-	1	1NO	16A	4x124	830	210	-	15	upper	270°
	375112	30-115	-	1	1NO	16A	4x124	1730	800	-	15	upper	270°
4	375714	35-116	-	1	1NO	16A	6x113	1770	500	-	15	right	270°
3	375760	36-116	-	1	1NO	16A	6x113	870	350	M9x1	23	upper	270°
10	375697	120 fixed	-	2	2CO	16A	3,1x305	720	600	-	-	-	-
5	375762	30-120	2NO	1	1CO	16A	6,5x98	1450	1350	-	-	-	270°
6	375744	30-120	-	1	1NO	16A	6x95	2500	2500	-	16	upper	270°
11	375223	30-120	2NO	1	1CO	15A	6,5x95	1000	1000	-	21	upper	270°
7	375620	30-120	-	1	1CO	15A	6,5x95	1000	1000	-	19	upper	270°
	390007	40-120	-	1	1CO	16A	6,5x95	1000	-	-	19	+135°	270°
8	375602	45-120	-	3	3CO	16A	6x140	900	870	-	23	upper	270°
2	375215	65-120	-	1	1CO	16A	6x130	900	900	-	-	-	270°
	375217	70-120	-	1	1CO	16A	6x130	900	900	-	-	-	270°
9	390109	75-120	-	1	1CO	20A	6x88	600	-	M12x1	-	-	270°
14	375067	125 fixed	-	1	1CO	16A	3,03x147	830	-	-	-	-	-
12	375525	30-125	-	1	1CO	16A	3,1x226	1460	800	M9x1	23	upper	270°
13	390133	38-125	-	1	1CO	16A	3,03x160	2290	1710	-	23	upper	270°
15	375241	30-130	-	1	1NO	16A	6x83	880	-	-	25	upper	270°
3	375179	80-131	-	1	1NC	16A	6x 98	1730	-	-	23	upper	270°
14	375710	132 fixed	-	1	1CO	16A	6x86	1150	350	-	-	-	-
3	375726	30-135	-	1	1NO	16A	4x124	830	210	-	15	upper	270°
2	375548	140 fixed	-	1	1CO	16A	4x157	870	870	-	-	-	-
12	375568	50-140	-	1	1NO	0,5A	6x107	860	-	-	23	upper	270°
16	390073	85 fixed	-	1	1NC	16A	6x130	900	900	-	-	-	-
		145 fixed	-	1	1NC	16A							
2	375345	150 fixed	-	1	1NO	16A	6x74	900	900	-	-	-	-
	375549	150 fixed	-	1	1NO	0,5A	6x86	1000	1000	-	-	-	-
12	375363	60-150	-	1	1NO	16A	3x144	1600	1600	-	23	upper	270°
	375341	60-150	-	1	1NO	16A	3x219	900	900	-	23	upper	270°

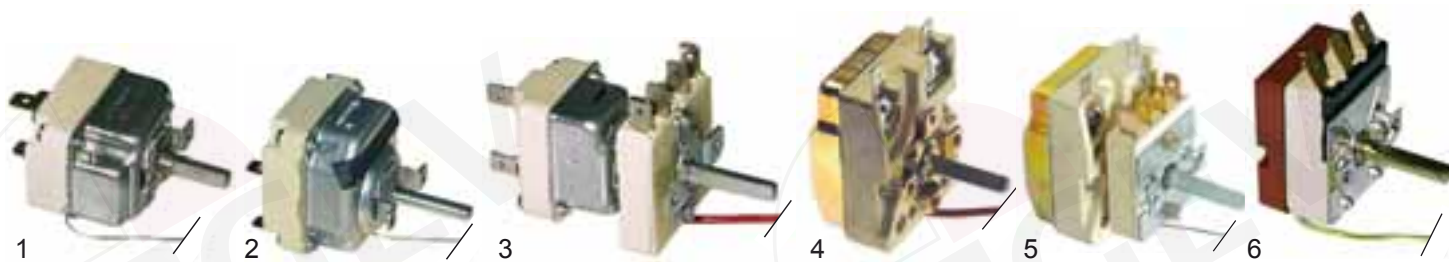




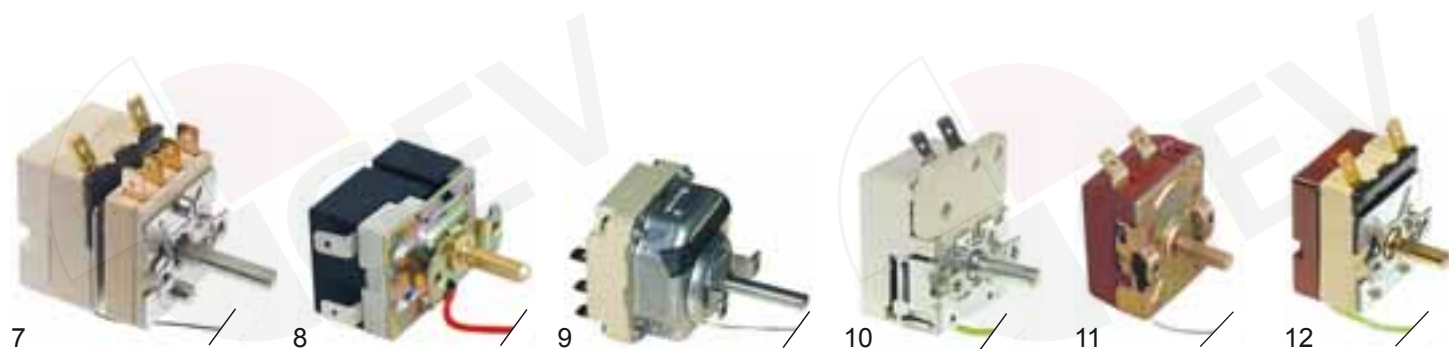


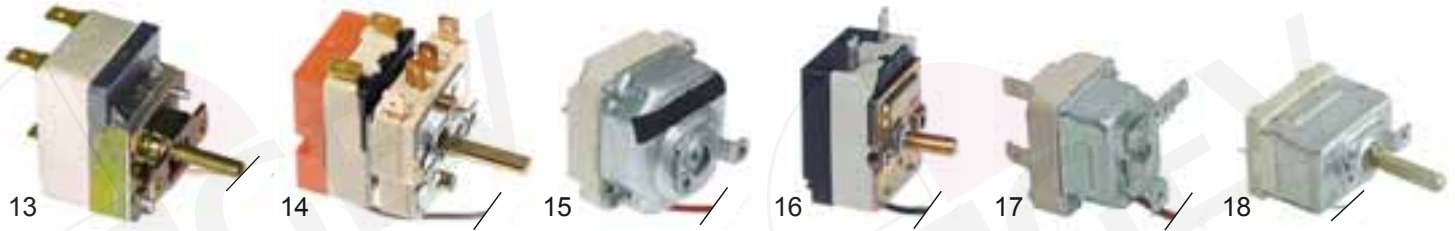
item	order no.	operable temperature range (°C)	outer switch	number of poles	function	switch power	sensor ø x L (mm)	capillary pipe (mm)	insulated (mm)	gland	axis length (mm)	spindle position	rotation angle
2	375229	150 fixed	-	1	1CO	16A	6x130	900	700	-	-	-	-
14	375343	160 fixed	-	3	3NC	16A	6x74	900	900	-	-	-	-
17	375177	50-170	-	1	1NO	16A	6x75	420	210	-	15	upper	270°
	375255	85-170	-	1	1NO	16A	4x213	900	600	-	23	upper	270°
12	375387	85-170	-	1	1NO	16A	4x231	900	850	M9x1	23	upper	270°
	375606	85-170	-	1	1NO	16A	6x130	900	900	-	23	upper	270°
18	375701	120-173	2NO	1	1NO	16A	6,5x119	870	800	-	23	upper	245°
3	375683	95-175	-	1	1NO	16A	4x157	670	350	-	23	upper	270°
19	375256	100-175	-	3	3NO	16A	4x157	850	350	-	23	upper	270°
	390058	100-175	-	3	3NO	16A	6x131	2000	600	-	23	upper	318°
3	375788	101-175	-	1	1NO	16A	6x 98	870	800	-	23	upper	270°
17	375801	50-180	-	1	1NO	16A	6x75	420	-	-	-	-	270°
13	375086	60-180	-	1	1CO	16A	6x89	2250	2250	-	23	upper	270°
	375718	70-180	-	1	1NO	16A	6x87	1500	-	-	23	upper	270°
12	375777	70-180	-	1	1NO	16A	6x87	600	350	-	23	upper	270°
	375720	70-180	-	1	1NO	16A	6x87	600	-	-	23	upper	270°
19	375699	90-180	-	3	3CO	16A	6x133	880	800	-	23	upper	270°
	375367	94-180	-	1	1NO	16A	6x133	2020	1800	-	23	upper	270°
12	375765	95-180	-	1	1NO	16A	6x130	900	800	M9x1	23	upper	270°
	375309	95-180	-	1	1NO	16A	6x130	1500	1100	-	23	upper	270°
19	375022	95-180	-	3	3NO	16A	6x133	1780	1400	M9x1	-	-	270°
	375410	95-180	-	3	3NO	16A	6x133	1780	1400	M10x1	23	upper	270°
12	390046	96-180	-	1	1NO	16A	6x133	870	790	M9x1	13	upper	270°
	375198	100-180	-	1	1NO	16A	6x130	3000	2650	-	23	upper	270°
3	375356	100-180	-	1	1NO	16A	6x98	870	-	-	23	upper	270°
20	375785	100-180	-	3	3CO	16A	6x130	470	70	-	-	-	250°
19	375385	100-180	-	3	3NO	16A	6x131	2000	1800	-	23	upper	270°
21	375158	100-180	2NO	1	1NO	16A	6x133	2410	-	-	23	upper	270°
14	375735	100-180	-	3	3NO	16A	6x133	2300	450	M9x1	23	upper	270°
	390098	100-180	2x2NO	3	3NO	16A	6x133	1780	1600	M9x1	23	upper	270°
1	375023	103-175 108-180	2x2NO	2 1	2NO 1NO	16A 16A	3,1x305	720	700	-	23	upper	270°





item	order no.	operable temperature range (°C)	outer switch	number of poles	function	switch power	sensor ø x L (mm)	capillary pipe (mm)	insulated (mm)	gland	axis length (mm)	spindle position	rotation angle
3	375331	58-183	2NO	1	1NO	0,5A	4x116	900	700	-	23	upper	270°
2	375576	60-185	-	3	3NC	16A	4x229	1200	1150	-	23	upper	270°
4	390048	90-185	-	1	1NO	0,5A	4x229	900	-	-	-	-	270°
5	390049	90-185	2NO	1	1NO	15A	4x229	2400	200	-	23	upper	270°
3	390052	90-185	2NO	1	1NO	15A	4x229	2500	1200/200	-	23	upper	270°
1	390053	90-185	-	1	1NO	16A	4x231	1300	1300	-	23	upper	270°
2	375058	95-185	-	3	3NO	16A	6x117	1480	800	-	23	upper	270°
	375512	95-185	-	3	3NO	16A	6x133	2430	1100	M9x1	23	upper	270°
6	375401	97-185	-	1	1CO	16A	6x87	2380	700	M9x1	23	upper	270°
7	375407	97-185	2NO	1	1CO	16A	6x87	2380	700	M9x1	23	upper	270°
1	375310	100-185	-	1	1NO	16A	4x231	1800	1600	M9x1	23	upper	270°
2	390056	100-185	-	3	3NO	16A	4x231	2600	1000	-	23	upper	270°
8	375224	35-188	-	1	1NO	16A	3x165	520	270	-	-	-	270°
2	375708	95-188	-	3	3NO	16A	6x117	1780	1400	-	23	upper	270°
11	390027	50-190	-	1	1NO	16A	3x145	880	680	-	-	-	270°
	375506	50-190	-	1	1NO	16A	6x75	630	140	-	23	upper	270°
1	375264	80-190	-	1	1NO	16A	6x87	570	-	-	23	upper	270°
4	375261	94-190	-	1	1NO	15A	6x133	890	700	M10x1	23	upper	318°
12	375747	97-190	-	1	1NO	16A	6x 87	1430	1100	M9x1	23	upper	270°
1	375237	100-190	-	1	1NO	16A	6x130	1800	1200	M9x1	23	upper	270°
9	375771	106-190	-	3	1CO 2NO	16A	4x157	1780	1500	-	23	upper	270°
	375766	120-190	-	3	1CO 2NO	16A 16A	6x133	880	350	-	23	upper	270°
10	375110	121-190	-	1	1NO	16A	6x117	390	-	-	15	upper	270°
2	375417	68-191	-	3	3NO	16A	6x79	840	-	M9x1	-	-	270°
11	375769	60-192	-	1	1NO	16A	6x70	430	210	-	14	upper	270°
1	375329	90-192	-	1	1NO	16A	4x231	900	600	-	21	upper	270°
	375639	100-192	-	1	1NO	16A	4x235	870	-	-	21	upper	270°
2	390057	100-192	-	3	3NO	16A	7x166	870	-	-	23	upper	270°
1	390174	60-195	-	1	1NO	16A	4x89	600	-	-	23	upper	270°
2	375097	95-195	-	3	3NO	16A	6x117	1780	1400	M9x1	23	upper	270°

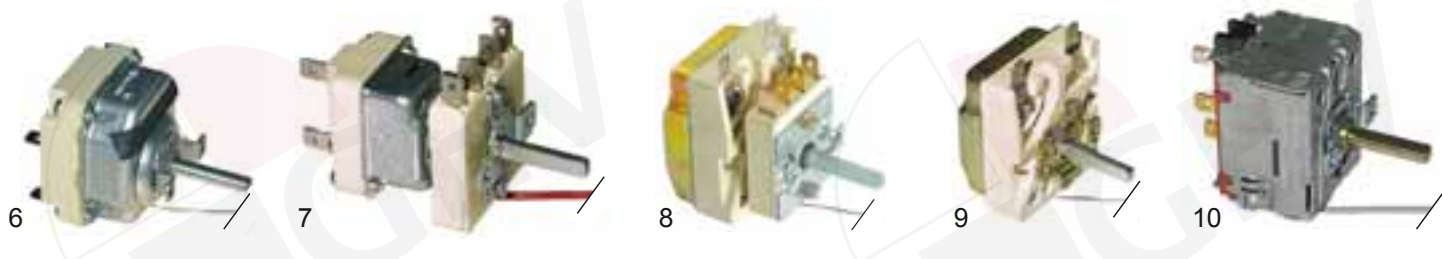




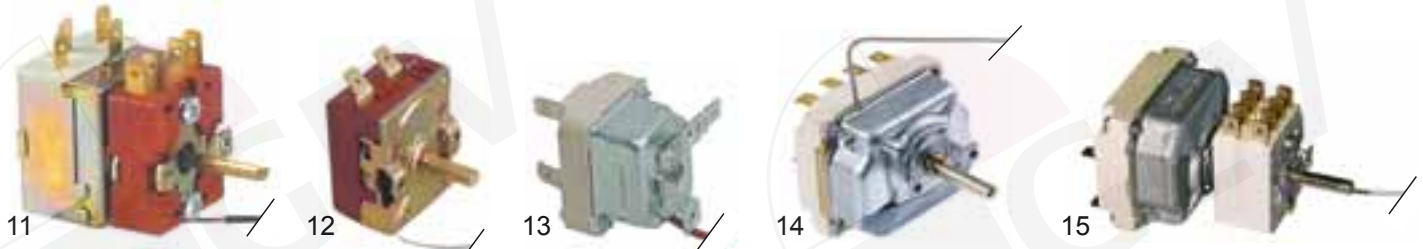
item	order no.	operable temperature range (°C)	outer switch	number of poles	function	switch power	sensor ø x L (mm)	capillary pipe (mm)	insulated (mm)	gland	axis length (mm)	spindle position	rotation angle
12	375677	100-195	-	1	1NO	16A	4x157	2250	2020	-	18	upper	270°
7	375052	140-195	2NO	1	1NO	16A	6x77	830	500	M9x1	23	upper	270°
13	375129	50-200	-	1	1NO	16A	3x185	980	770	-	-	-	270°
2	375050	60-200	-	3	3NO	16A	3,1x235	1480	-	-	23	upper	270°
12	375527	60-200	-	1	1NO	16A	6x 77	870	-	M9x1	23	upper	270°
2	375060	60-200	-	3	3NO	16A	6x142	880	-	-	23	upper	270°
1	375273	60-200	-	1	1NO	16A	6x74	1500	-	-	23	upper	270°
	375004	60-200	-	1	1CO	16A	6x74	900	-	-	23	upper	270°
2	390059	60-200	-	3	3NO	16A	6x77	880	-	-	23	upper	270°
7	375780	61-200	2NO	1	1NO	16A	6x77	520	210	-	23	right	270°
2	375043	68-200	-	3	3NO	16A	6x77	880	800	M9x1	23	upper	270°
12	375689	90-200	-	1	1NO	0,5A	6x 87	870	-	M9x1	23	upper	270°
	375687	95-205	-	3	3CO	16A	6x224	1480	1100	-	23	upper	270°
9	375763	120-206	-	3	1CO 2NO	16A 16A	4x157	1780	1500	-	23	upper	270°
15	375675	210 fixed	-	2	2NC	0,5A	6x74	1250	1100	-	-	-	-
13	390008	64-210	-	1	1CO	16A	5x125	1000	-	-	19	+135°	270°
14	375613	95-210	2NO	1	1NO	16A	3,1x201	1770	1600	-	23	upper	270°
2	375422	95-210	-	3	3NO	16A	3,1x226	1780	1600	-	23	upper	270°
12	375123	60-215	-	1	1NO	16A	6x 77	2250	2100	-	23	upper	270°
	375204	61-215	-	1	1NO	16A	3,1x201	870	600	M9x1	23	upper	270°
16	375618	60-220	-	1	1NO	16A	3,1x195	1030	760	-	-	-	270°
2	375301	60-220	-	3	3NO	16A	6x77	880	-	-	23	upper	270°
4	375298	95-220	-	1	1NO	15A	6x104	1500	-	-	23	upper	270°
2	375504	95-220	-	3	3NO	16A	6x117	1480	1100	M9x1	23	upper	270°
11	375155	45-230	-	1	1NO	16A	3,1x230	530	-	-	14	upper	270°
2	375559	95-230	-	3	3NO	16A	4x128	1250	1000	-	23	upper	270°
17	375589	238 fixed	-	1	1NO	0,5A	6x74	1250	1100	-	-	-	-
2	375272	55-240	-	3	3NO	16A	4x91	880	350	-	-	-	270°
1	375631	55-249	-	1	1NO	16A	3,1x226	1270	850	-	23	upper	318°
	375719	48-250	-	1	1NO	16A	3,03x160	1270	-	-	23	upper	270°
2	375693	48-250	-	3	3NO	16A	3,1x226	880	850	-	23	upper	318°
18	375349	50-250	-	1	1NO	16A	3,03x178	840	-	-	23	upper	270°



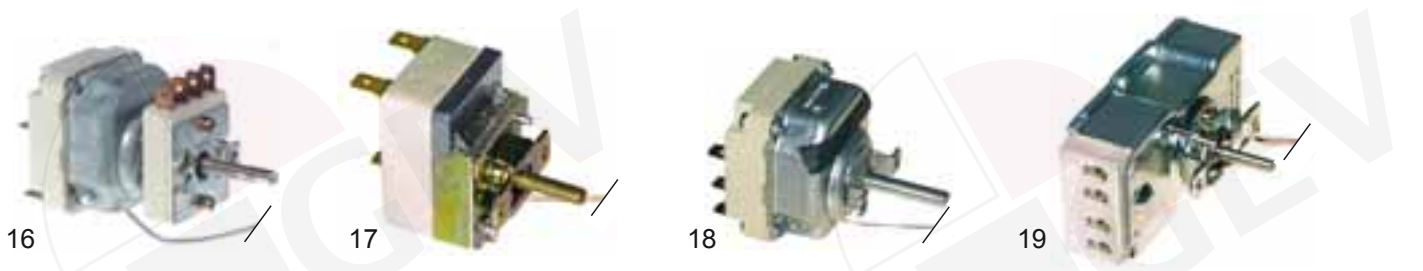
item	order no.	operable temperature range (°C)	outer switch	number of poles	function	switch power	sensor ø x L (mm)	capillary pipe (mm)	insulated (mm)	gland	axis length (mm)	spindle position	rotation angle	
1	375041	50-250	-	1	1CO	16A	3,1x160	1430	800	M9x1	23	upper	270°	
	375670	50-250	-	1	1CO	16A	3,1x160	2380	800	M9x1	23	upper	270°	
2	375154	50-250	-	1	1NO	16A	3,1x201	2970	-	-	23	upper	270°	
	375010	50-250	-	1	1NO	16A	3,1x208	1130	-	-	23	upper	270°	
3	375071	55-250	-	1	1NO	16A	3,1x226	2410	1100	-	23	upper	270°	
	375070	55-250	-	1	1CO	16A	3,1x226	1160	1100	M9x1	23	upper	270°	
4	375083	60-250	2NO	1	1NO	16A	4x100	3150	3090	-	23	upper	270°	
	5	375147	30-255	-	1	1CO	16A	3,03x147	1440	1250	-	23	upper	270°
			105 fixed	-	1	1CO	16A							
	375081	30-255	-	2	2CO	16A	3,03x147	1440	800	-	23	upper	270°	
3	375336	45-255	-	1	1CO	16A	6x74	900	900	-	23	upper	270°	
1	375069	50-255	-	1	1CO	16A	3,03x160	1430	800	-	23	upper	270°	
	3	390067	50-255	-	1	1NO	16A	3x219	900	-	-	23	upper	270°
			375652	50-255	-	1	1NO	16A	3x219	900	350	M10x1	23	upper
2	375116	58-258	-	1	1NO	16A	3,1x201	1130	-	-	23	upper	270°	
6	390074	60-240 80-260	-	2	2NO	16A	4x128	1300	1300	-	23	upper	270°	
				1	1NO	16A								
3	390156	50-260	-	1	1NO	16A	4x115	1300	1300	-	23	upper	270°	
7	375581	50-260	2NO	1	1NO	16A	4x116	1300	1300	-	23	upper	270°	
8	390069	45-265	2NO	1	1NO	15A	3x219	900	-	-	23	upper	270°	
3	375608	50-265	-	1	1NO	16A	3x219	900	800	M9x1	23	upper	270°	
9	390070	55-265	-	1	1NO	15A	3x219	2000	-	-	23	upper	270°	
10	375079	50-270	-	1	1CO	10/5A	3,03x160	1440	800	-	23	upper	270°	
	375201	50-270	-	1	1CO	16A	3x219	3000	2500	M10x1	23	upper	270°	
	375354	50-270	-	1	1NO	16A	3x219	900	900	-	23	upper	270°	
	375216	50-270	-	1	1NO	16A	3x219	1300	1300	-	23	upper	318°	
	390068	50-270	-	1	1CO	16A	3x219	1300	1300	-	23	upper	318°	
6	375230	55-270	-	3	3NO	16A	3x219	900	900	-	23	upper	270°	
11	390139	63-270	2NO	1	1CO	15A	3,5x195	1000	-	-	17	upper	270°	
2	375124	70-270	-	1	1NO	16A	7,5x30,5	3130	-	-	23	bottom	270°	
6	375384	50-275	-	3	3NO	16A	3x219	900	900	-	23	bottom	318°	

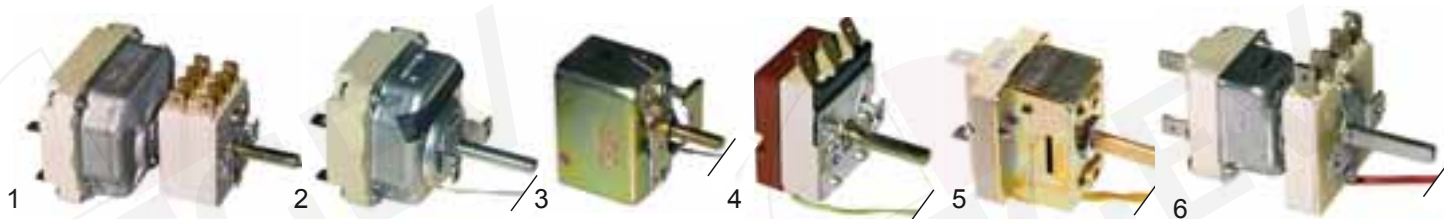




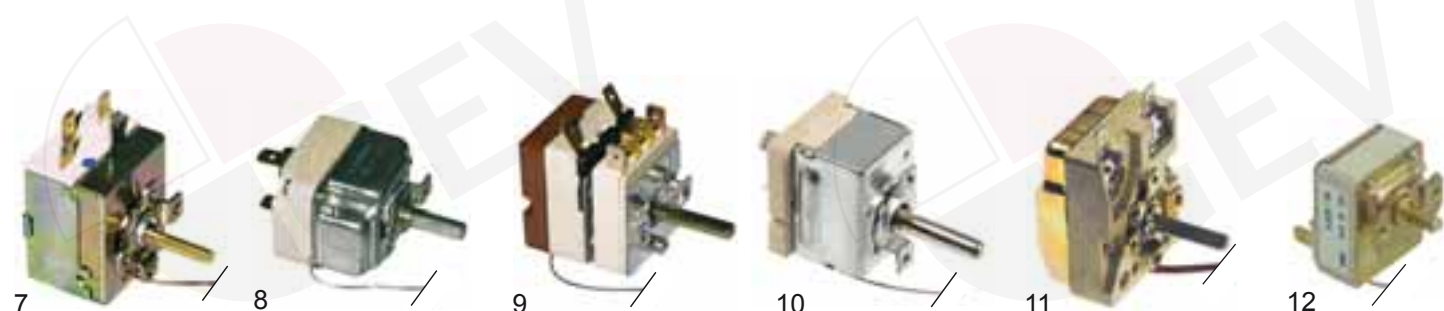


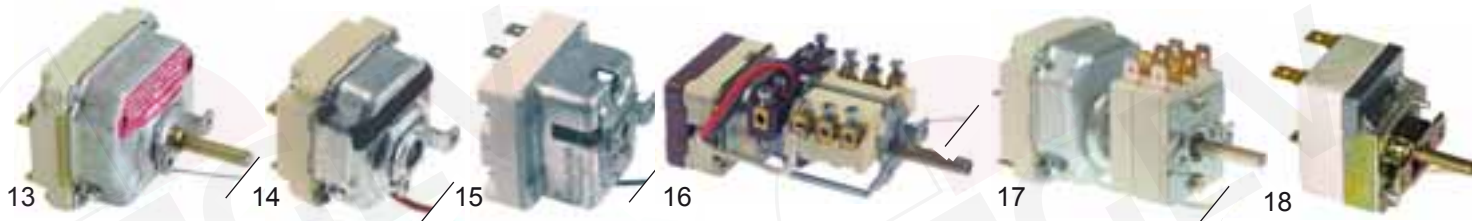
item	order no.	operable temperature range (°C)	outer switch	number of poles	function	switch power	sensor ø x L (mm)	capillary pipe (mm)	insulated (mm)	gland	axis length (mm)	spindle position	rotation angle
12	375134	40-280	-	1	1NO	16A	3x150	860	-	-	14	upper	270°
2	390146	50-280	-	1	1NO	16A	3,1x160	1230	800	-	23	upper	270°
3	375653	58-282	-	1	1NO	16A	3,1x226	870	870	-	23	upper	270°
6	375587	100-285	-	3	3NO	16A	3x219	1150	1130	-	23	upper	270°
3	375664	60-287	-	1	1NO	16A	3,1x226	1470	350	-	23	upper	270°
6	375183	50-290	-	3	3NO	16A	3x219	900	-	-	23	upper	318°
13	375322	295 fixed	-	1	1NO	15A	3x219	900	-	-	-	-	-
3	375382	45-295	-	1	1NO	16A	3x219	1300	350	-	23	upper	270°
3	375270	45-295	-	1	1NO	16A	4x100	900	350	-	23	upper	270°
6	375268	75-295	-	3	3NO	16A	4x92	900	350	-	23	upper	270°
3	375667	65-296	-	1	1NO	16A	3,1x226	980	980	-	23	upper	318°
3	375327	58-297	-	1	1NO	16A	3,03x219	870	-	-	23	upper	270°
3	375554	25-300	-	1	1NO	16A	4x116	1300	1300	-	15	upper	318°
14	375658	60-204 135-300	-	2 2	2NO 2NO	16A 16A	4x128	880	800	-	23	upper	310°
15	390099	43-300	2x2NO	4	4NO	16A	6x77	1480	1350	-	23	upper	270°
1	375087	50-300	-	1	1CO	16A	3,03x160	1130	1100	-	23	upper	270°
16	375690	50-300	2NO	3	3NO	16A	3,03x160	1480	350	-	24	upper	270°
6	375064	50-300	-	3	3NO	16A	3,1x226	880	350	-	23	upper	318°
6	375685	50-300	-	3	3NO	16A	3,1x226	1180	500	-	23	upper	318°
6	375374	50-300	-	3	3NO	16A	3x219	900	900	-	23	upper	270°
6	375603	50-300	-	3	3NO	16A	3x219	900	900	-	23	upper	270°
6	375355	50-300	-	3	3NO	16A	3x219	900	900	-	23	upper	270°
6	375192	50-300	-	3	3NO	16A	3x219	900	-	-	23	upper	270°
19	375032	50-300	-	2	2NO	15A	4,8x293	900	-	-	14,5	right	318°
6	375552	50-300	-	3	3NO	16A	4x229	900	900	-	23	upper	318°
6	375390	50-300	-	3	3NO	16A	4x292	880	800	-	23	upper	270°
6	375056	50-300	-	3	3NO	16A	4x292	1440	-	-	23	upper	270°
2	375193	50-300	-	1	1NO	16A	4x91	1130	1100	-	23	upper	270°
17	375419	50-300	-	1	1NO	16A	5x90	890	-	-	-	-	270°
3	375797	50-300	-	1	1NO	16A	6x74	900	-	-	23	upper	270°
18	375025	50-300	-	3	3CO	16A	6x77	2980	2260	-	23	upper	270°



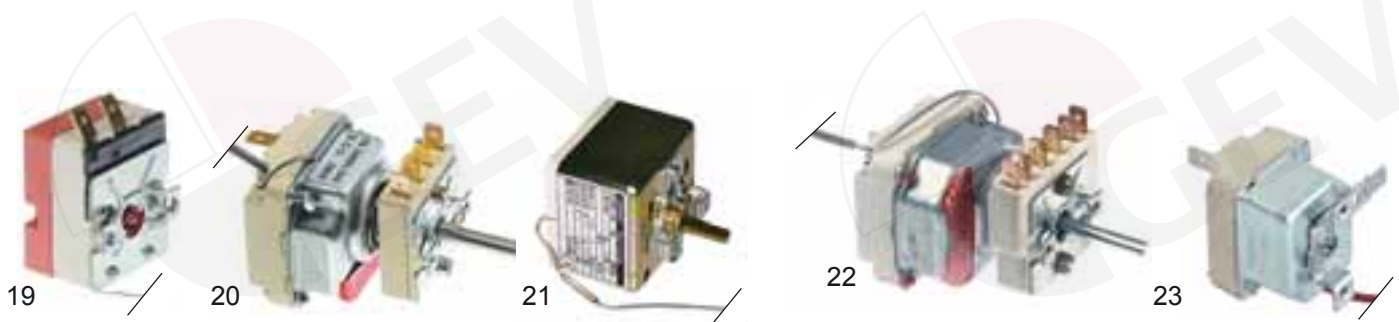


item	order no.	operable temperature range (°C)	outer switch	number of poles	function	switch power	sensor ø x L (mm)	capillary pipe (mm)	insulated (mm)	gland	axis length (mm)	spindle position	rotation angle
1	390097	50-300	2x2NO	4	4NO	16A	6x77	2430	2260	-	23	upper	270°
2	375038	50-300	-	3	3NO	16A	6x79	1740	800	-	23	upper	270°
3	375141	50-300	-	1	1CO	16A	6x85	1000	-	-	-	-	318°
2	375569	60-300	-	3	3NO	16A	3,1x263	1180	800	-	23	upper	270°
4	375088	60-300	-	1	1NO	16A	4x100	830	800	-	15	upper	270°
2	375057	60-300	-	3	3NO	16A	4x128	880	800	-	23	upper	270°
5	375665	60-300	-	1	1NO	16A	3x230	1340	350	-	22	left	270°
2	375574	115-300	-	3	3NO	16A	2,5x322	1150	1000	-	23	upper	270°
2	375560	115-300	-	3	3NO	10A	3x144	1150	1130	-	23	upper	270°
4	375128	50-310	-	1	1NO	16A	3,03x160	1130	800	-	23	upper	270°
2	375540	50-310	-	3	3NO	16A	3x219	900	-	-	23	upper	318°
6	375768	50-310	2NO	1	1NO	16A	4x128	1500	1500	-	23	upper	270°
7	390009	56-310	-	1	1CO	16A	3,5x195	1000	-	-	19	+135°	270°
8	375594	60-318	-	1	1NO	16A	3,03x139	870	-	-	23	upper	270°
4	375505	50-320	-	1	1NO	16A	3,03x160	870	-	-	23	upper	270°
	375402	50-320	-	1	1NO	16A	3,03x160	3150	-	-	23	upper	270°
9	375408	50-320	2NO	1	1NO	16A	3,03x160	3150	-	-	23	upper	270°
10	375672	50-320	-	1	1NO	16A	3,03x178	840	-	-	23	upper	270°
2	375412	50-320	-	3	3NO	16A	3,1x226	1480	1400	-	23	upper	318°
11	375642	50-320	-	1	1NO	15A	3x219	900	620	-	23	upper	270°
8	375723	50-320	-	1	1NO	16A	3x219	900	700	-	23	upper	270°
2	375621	50-320	-	3	3NO	16A	3x219	1200	1200	-	23	upper	318°
12	375295	50-320	-	1	1NO	16A	4x135	1000	-	-	12	upper	270°
13	375185	53-320	-	4	4NO	16A	3,9x228	880	-	-	23	upper	270°
8	375002	55-320	-	1	1NO	16A	3,1x226	870	-	-	23	upper	270°
	375232	55-320	-	1	1NO	16A	3,1x226	870	870	-	23	upper	270°
2	375362	55-320	-	3	3NO	10A	4x128	900	-	-	23	upper	270°
8	375553	57-320	-	1	1NO	16A	3,1x226	870	870	-	15	upper	318°
	375604	60-320	-	1	1NO	0,5A	4x115	1500	-	-	23	upper	270°
2	375424	60-320	-	3	3NO	16A	4x128	1800	1300	-	23	upper	270°
11	375202	63-320	-	1	1NO	15A	3,1x226	890	-	-	23	upper	318°
2	375420	110-320	-	3	3NO	16A	6x96	1780	1600	-	23	upper	270°

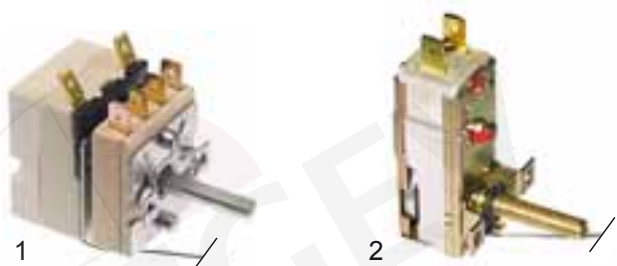




item	order no.	operable temperature range (°C)	outer switch	number of poles	function	switch power	sensor ø x L (mm)	capillary pipe (mm)	capillary pipe insulated (mm)	gland	axis length (mm)	spindle position	rotation angle
4	375612	54-324	-	1	1NO	16A	3,03x147	1270	1180	-	23	upper	270°
23	375643	330 fixed	-	1	1NC	16A	3x219	900	900	-	-	-	-
2	375614	100-330	-	3	3NO	16A	6x75	870	870	-	23	upper	270°
14	375565	350 fixed	-	3	3NC	16A	3x190	900	900	-	-	-	-
15	375808	350 fixed	-	2	1NC 1CO	16A 16A	4x120	1300	900	-	-	-	-
	375107	60-350	-	3	3NO	16A	4x128	880	800	-	23	upper	270°
2	375383	100-350	-	3	3NO	16A	6x75	870	-	-	23	upper	270°
	375026	100-350	-	3	3NO	16A	6x77	2430	1100	-	23	upper	270°
4	375012	50-358	-	1	1NO	16A	3,1x147	1730	1100	-	23	upper	270°
8	375313	60-358	-	1	1NO	16A	3,03x178	870	870	-	23	upper	270°
16	375425	50-360	3NO	2	2NO	16A	3,1x226	900	900	-	23	upper	270°
2	375101	140-360	-	3	3NO	16A	4x292	990	500	-	23	upper	318°
17	375691	60-390	2x2NO	3	3NO	16A	3,9x228	1110	600/700	-	23	upper	270°
18	375804	60-400	-	1	1NO	16A	3x150	900	900	-	-	-	318°
2	375225	91-400	-	3	3NO	16A	3,9x308	920	800	-	23	upper	310°
4	375530	100-400	-	1	1NO	16A	3,9x163	830	-	-	23	upper	270°
9	375409	130-400	2NO	1	1NO	16A	3,9x163	830	350	-	23	right	310°
8	375330	65-415	-	1	1NO	16A	3,9x228	870	660	-	23	upper	270
19	375773	440 fixed	-	1	1NC	16A	3,9x228	1130	850	-	-	-	-
8	375253	85-450	-	1	1NO	16A	3,9x228	870	660	-	23	upper	270°
13	375096	100-450	-	4	4NO	16A	3,9x163	1180	850	-	23	upper	270°
20	375570	100-470	2NO	1	1NO	16A	3,9x228	1110	600	-	24	upper	270°
2	375027	50-470	-	3	3NO	16A	3,9x308	990	800	-	23	upper	270°
3	375100	20-500	-	1	1CO	16A	8x155	1000	-	-	17	-	318°
2	375132	50-500	-	3	3NO	16A	4x228	1200	-	-	23	upper	270°
21	375103	60-500	-	3	3CO	16A	6x280	1000	-	-	17	-	270°
	375661	75-500	-	1	1NO	16A	3,9x228	1470	960	-	23	upper	270°
8	375247	75-500	-	1	1NO	16A	4x228	900	-	-	23	upper	270°
22	375140	50 fixed 50-600 70-650	2NO	1 1 1	1NO 1NO 1NO	16A 16A 16A	4x228	1200	1200	-	24	left	318°

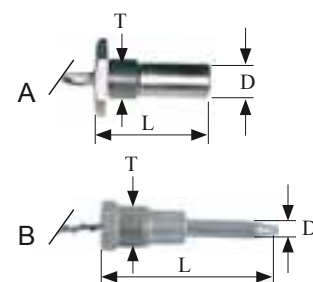
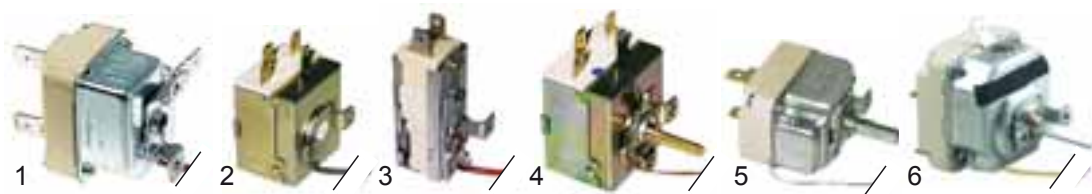


## thermostats with curved sensor



item	order no.	operable temperature range (°C)	outer switch	number of poles	function	switch power	sensor $\varnothing \times L$ (mm)	capillary pipe (mm)	insulated (mm)	gland	axis length (mm)	spindle position	rotation angle
1	375794	30-105	2xNO	1	NO	16A	3,03x178	870	800	-	23	upper	270°
2	375792	30-117	-	1	NO	16A	3,03x178	990	-	-	23	-45°	270°
1	375782	30-128	2xNO	1	NO	16A	3,03x178	870	800	-	23	upper	270°
2	375300	35-128	-	1	NO	16A	3,1x174	880	800	-	23	bottom	270°

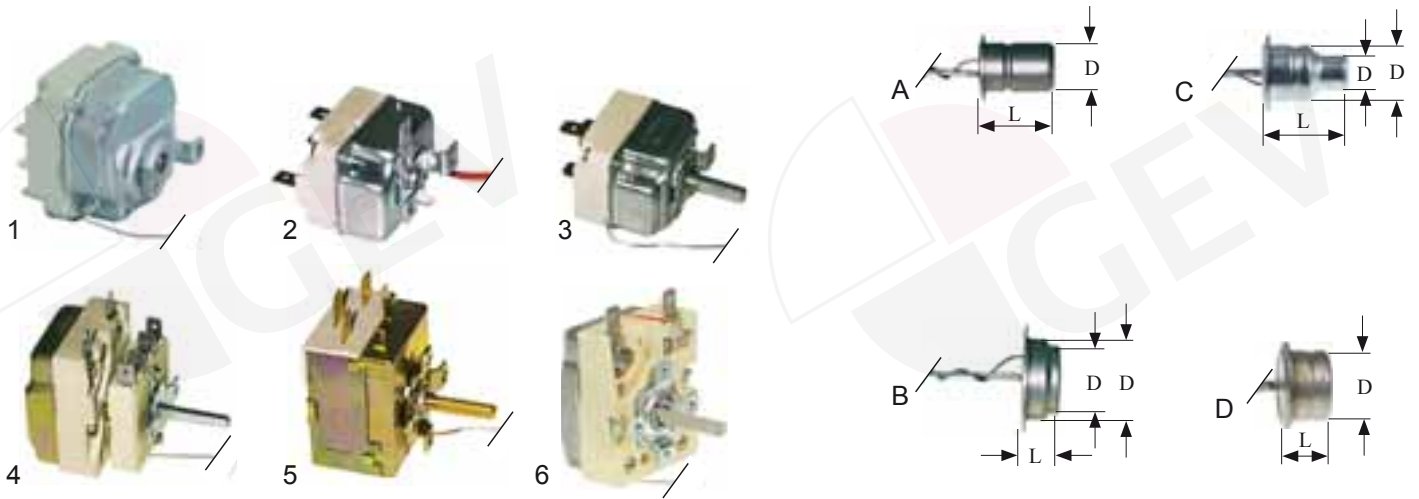
## thermostats with screw-in sensor



item	order no.	operable temperature range (°C)	outer switch	number of poles	function	switch power	sensor thread (T) (mm)	sensor $\varnothing$ (D) (mm)	sensor length (L) (mm)	capillary pipe (mm)	insulated (mm)	axis length (mm)	spindle position	rotation angle
1A	390172	50 fixed	-	1	CO	16A	3/8"	11	45	850	830	-	-	-
2A	390310	55 fixed	-	1	CO	15A	3/8"	9,5	52	600	540	-	-	-
3A	390001	58 fixed	-	1	NC	16A	M14x1	11	35	580	580	-	-	-
1A	375636	60 fixed	-	1	CO	16A	M14x1	11	29	1470	1450	-	-	-
2A	390425	60 fixed	-	1	CO	15A	M14x1	11	36	600	600	-	-	-
5A	390054	30-60	-	1	CO	16A	M14x1	11	28	1000	1000	23	upper	270°
3A	390005	25-85	-	1	CO	15A	M14x1	11	35	600	600	8	upper	270°
4A	375564	0-90	-	1	CO	15A	M14x1	11	36	600	600	19	upper	270°
5A	390065	30-90	-	1	CO	16A	M14x1	11	28	1000	1000	23	upper	270°
	375321	35-90	-	1	NO	16A	M14x1	11	24	900	900	23	upper	270°
4A	375318	0-90	-	1	CO	15A	M14x1	11	36	600	550	19	upper	270°
6A	375547	30-120	-	3	NO	16A	M14x1	11	28	900	900	23	upper	318°
	375365	100-160	-	3	NO	16A	M14x1	11	26	870	700	23	upper	270°
5A	375063	70-170	-	1	NO	16A	M14x1	11	28	900	900	23	upper	270°
6A	390190	80-185	-	3	NO	16A	M14x1	11	28	900	700	23	upper	270°
5B	375795	106-185	-	1	NO	16A	1/2"	8	89	850	360	23	upper	270°



## thermostats with button sensor

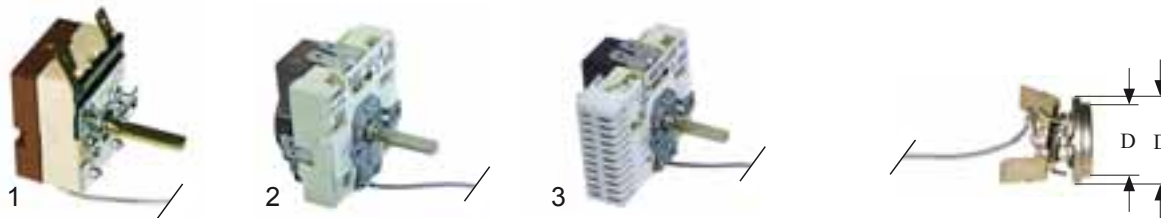


item	order no.	operable temperature range (°C)	outer switch	number of poles	function	switch power	sensor ø (D) (mm)	sensor length (L) (mm)	capillary pipe (mm)	insulated (mm)	axis length (mm)	spindle position	rotation angle
1A	375144	45 fixed 52 fixed	-	1 1	CO CO	16A 16A	15	31	2280	-	-	-	-
2B	390037	54 fixed	-	1	NC	16A	20/23,5	11	900	850	-	-	-
2C	375332	55 fixed	-	1	CO	16A	9/15	22	1500	800	-	-	-
3A	390003	30-90	-	1	CO	16A	15	22,5	1700	-	16	upper	270°
4B	390033	30-93	2xNO	1	NO	15A	20/23,5	11	900	-	23	upper	270°
5A	390130	0-95	-	1	CO	16A	15	17	450	50	-	-	270°
6D	375711	30-110	-	1	NO	15A	20	13,5	1490	-	23	upper	270°



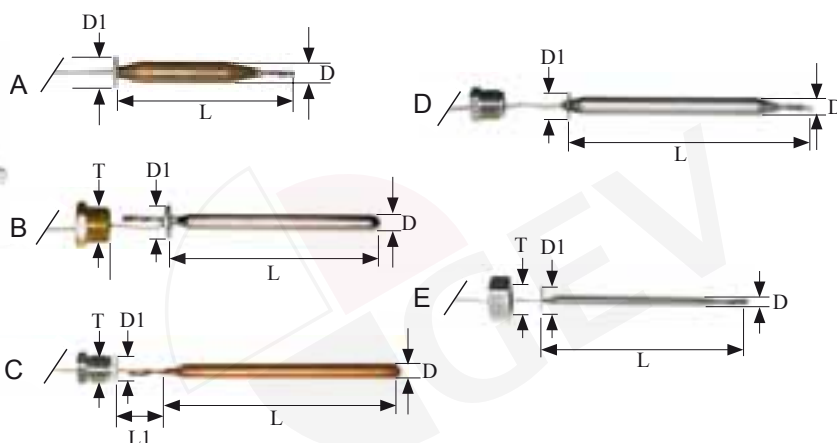
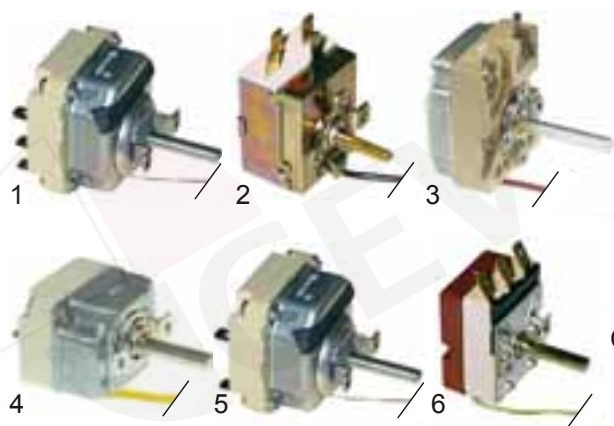
item	order no.	operable temperature range (°C)	outer switch	number of poles	function	switch power	sensor ø (D) (mm)	sensor length (L) (mm)	capillary pipe (mm)	insulated (mm)	axis length (mm)	spindle position	rotation angle
1	375105	20-440	-	1	CO	10A	20	21	1000	900	17	upper	270°
2	375533	20-440	-	3	CO	10A	20	21	1000	900	17	upper	270°

## thermostats with button sensor (boiling plate)



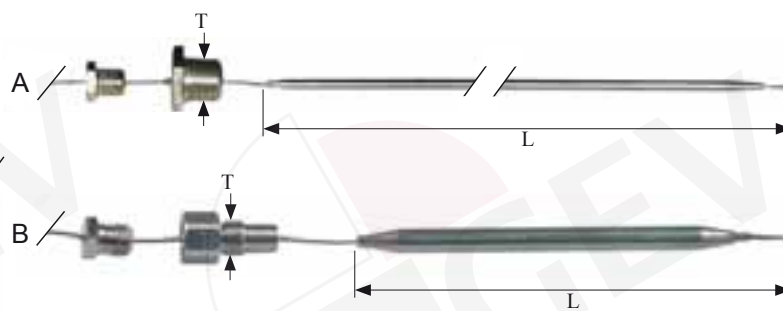
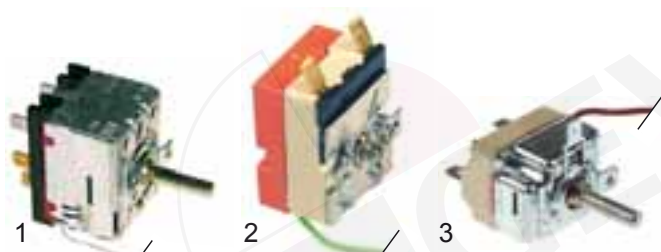
item	order no.	operable temperature range (°C)	integrated switch	number of poles	function	switch power	sensor ø (D) (mm)	sensor length (L) (mm)	capillary pipe (mm)	insulated (mm)	axis length (mm)	spindle position	rotation angle
1	390161	36-114	-	1	NO	16A	31/36	-	870	800	23	upper	270°
2	390402	50-250	2NO	2	NO	12A	31/36	-	1500	-	23	upper	315°
	390401	50-250	2NO	2	NO	16A	31/36	-	600	-	23	upper	315°
3	390403	50-300	2NO	1	NO	12A	31/36	-	1500	-	23	upper	315°

## thermostats/sensors with disc



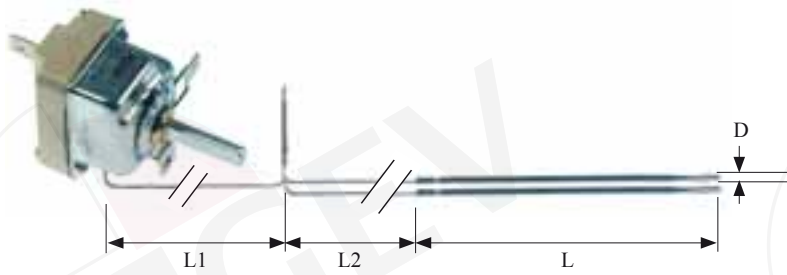
item	order no.	operable temperature range (°C)	outer switch	number of poles	function	switch power	screw connection (T) (mm)	sensor (DxL) (mm)	disc (D1) (mm)	disc/sensor distance (L1) (mm)	capillary pipe (mm)	insulated (mm)	axis length (mm)	spindle position	rotation angle
1A	390042	36-85	-	3	CO	16A	-	9,5x80	14	-	870	-	23	upper	180°
2B	390173	27-87	-	1	CO	15A	M16x1	6,5x95	14,5	-	1000	1000	19	+135	270°
2C	390013	30-90	-	1	CO	15A	M14x1	6,5x95	12	20	1000	-	19	+135	270°
3D	375593	85-110	-	1	NO	15A	M14x1	6x265	12,5	-	2990	1700	35	upper	270°
4D	375709	86-110	-	1	NO	16A	M14x1	6x265	12,5	-	860	800	23	upper	270°
5D	390055	66-160	-	3	NO	16A	M14x1	8x115	12,5	-	800	-	23	upper	270°
6E	375066	60-300	-	1	CO	16A	M14x1	4x96	12,5	-	1430	1400	15	upper	270°

## thermostats with special gland



item	order no.	operable temperature range (°C)	outer switch	number of poles	function	switch power	screw connection (T) (mm)	sensor ø x L (mm)	capillary pipe (mm)	insulated (mm)	axis length (mm)	spindle position	rotation angle
1A	375080	30-90 50-102	-	1 1	CO CO	16A 16A	1/4"	3,1x334	1440	1400	23	upper	270°
2B	390395	27-110	-	1	NO	16A	M9x0,75	6x113	520	350	-	-	310°
3A	375631	55-249	-	1	NO	16A	3/8"	3,1x226	1270	850	23	upper	318°

## thermostats with 2 sensors



pos.	order no.	operable temperature range (°C)	outer switch	number of poles	function	switch power	sensor (DxL) (mm)	capillary pipe (mm)	insulated (mm)	axis length (mm)	spindle position	rotation angle
1	375595	71-303	-	1	NO	16A	3x114 3x114	130	1100 1100	23	upper	270°
2	375800	65-308	-	1	NO	16A	3,03x120 3,03x120	870	600 600	23	upper	270°
3	375314	60-320	-	1	NO	16A	3x114 3x114	70	1200 1200	23	upper	270°
4	375799	55-325	-	1	NO	16A	3,03x120 3,03x120	870	600 600	23	upper	270°

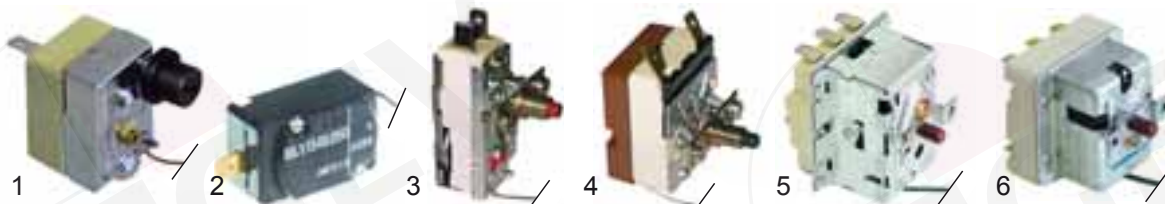
## thermostats with double function



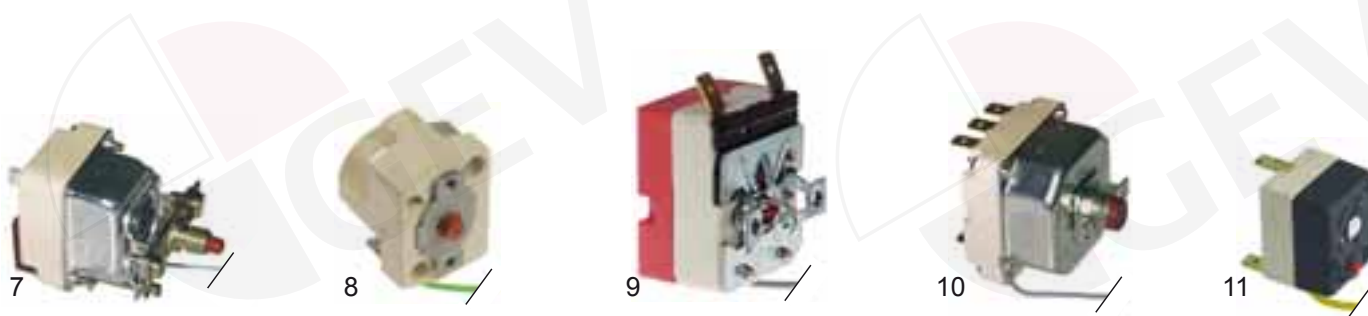
pos.	order no.	temperature (°C)		number of poles	function	switch power	ø x L sensor (mm)	gland	capillary pipe (mm)	axis length (mm)	spindle position	rotation angle
		thermostat	safety thermostat									
1	390015	135-180	230°C	3	3 NO	16A	6x167	M9x1	1770	23	upper	270°
				3	3 NC	16A	6x87	M9x1	1770			

## safety thermostats with standard sensor

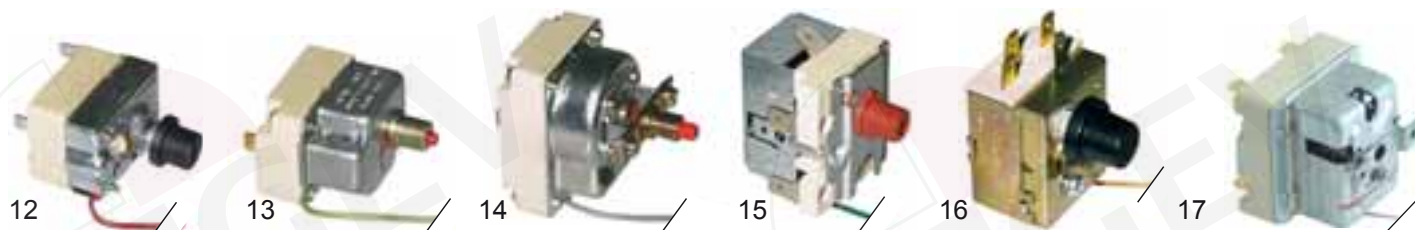
© GEV 2007



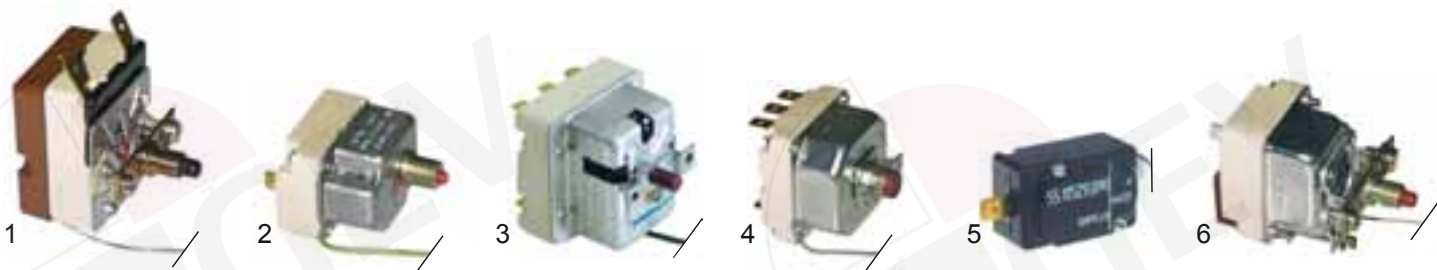
item	order no.	temperature (°C)	number of poles	switch power	sensor $\phi$ x L (mm)	length (mm)	capillary pipe insulated (mm)	gland
1	390137	95	1	16A	6x80	1550	-	-
2	375213	98	1	16A	3,1x248	1770	-	-
3	390136	98	1	16A	6x86	1500	-	-
4	390348	98	1	16A	8x81	1050	-	-
5	390470	100	3	20A	4x231	870	800	-
6	390164	105	3	20A	4x107	410	250/280	-
	375014	105	3	20A	6x94	1490	-	M9x1
7	390180	106	1	16A	6x74	1200	900	-
6	375139	108	3	20A	3x190	600	600	-
8	390198	110	1	16A	6x83	860	800	-
9	375149	110	1	16A	6x98	2930	500/500	-
6	390424	110	3	20A	6x74	2000	2000	-
	375368	110	3	20A	6x94	890	880	-
7	390309	115	1	16A	3,03x178	570	550	-
10	375175	115	3	20A	6x173	830	770	-
6	390178	118	3	20A	6x74	900	900	-
7	375676	120	1	16A	3,1x226	870	870	-
2	375520	120	1	16A	4x91	280	-	M9x1
6	375537	120	1	0,5A	4x120	2500	2500	-
	375369	120	3	0,5A	6x94	890	-	-
390244	120	3	20A	6x94	540	500	-	
	375535	122	1	16A	6x77	870	700	-
7	375740	122	1	16A	6x133	2970	2600	-
8	375660	124	1	16A	6x77	2010	1800	-
6	375275	125	1	0,5A	4x120	900	900	-
4	390471	125	1	16A	4x128	1130	800	-
11	375122	125	1	16A	6x74	880	830	M9x1
	390452	125	1	16A	6x90	870	690	M9x1
6	375541	125	3	0,5A	4x120	900	900	-
4	390453	130	1	16A	6x77	830	700	M9x1
	375519	130	1	16A	6x129	830	-	-
7	375250	130	1	16A	6x129	870	-	-
4	375048	132	1	16A	3,1x248	830	-	M9x1







item	order no.	temperature (°C)	number of poles	switch power	sensor ø x L (mm)	capillary pipe (mm)	insulated (mm)	gland
6	375208	132	3	2x20 / 1x0,5A	6x77	890	-	M9x1
17	375199	132	3	2x20 / 1x0,5A	6x77	890	-	M10x1
4	375245	135	1	16A	6x77	480	-	-
	375731	135	1	16A	6x77	520	-	-
12	375637	135	1	20A	6x82	600	-	-
13	375084	135	1	10A	6x83	1440	1360	-
	375776	135	1	10A	6x87	1440	1400	-
6	375333	135	3	20A	3,1x225	890	890	-
	375015	135	3	20A	6x75	1490	-	M9x1
10	375524	135	3	20A	6x173	1430	800	M9x1
7	375650	140	1	0,5A	3x219	870	830	-
4	375157	140	1	16A	5x96	1470	-	-
9	375784	140	1	16A	6x77	870	790	-
4	375214	140	1	16A	6x77	1540	1350	-
7	375278	140	1	16A	6x74	900	900	-
6	375668	140	3	20A	6x88	890	800	-
	375209	140	3	20A	6x89	900	900	-
10	390165	140	3	20A	6x173	830	800	-
6	375316	140	3	20A	6x173	830	800	-
14	390143	142	1	15A	6x138	1830	1350	-
4	375152	145	1	16A	4x100	1130	-	-
	375115	145	1	16A	6x73	830	-	-
7	375218	145	1	16A	6x130	900	900	-
6	375150	145	3	20A	3x178	1790	-	M9x1
15	375591	147	1	16A	6x77	1860	1350	-
6	375622	147	1	20A	6x89	900	800	-
14	390044	147	1	15A	6x138	830	800	-
7	375544	150	1	16A	3x226	870	670	-
16	375692	150	1	15A	6,5x60	1500	-	-
6	375170	150	1	20A	6x74	1700	1100	-
4	375040	150	1	16A	6x83	830	-	-
6	390159	150	1	20A	6x89	900	800	-
	375657	150	2	1x20/1x0,5A	6x74	1700	1100	-
	375545	150	3	20A	3,1x219	890	890	-
	375281	150	3	0,5A	3x188	1100	-	-
	375277	150	3	20A	6x79	900	700	-
	390166	150	3	20A	6x87	1490	1250	M9x1



item	order no.	temperature (°C)	number of poles	switch power	sensor ø x L (mm)	capillary pipe		gland
						length (mm)	insulated (mm)	
1	375306	160	1	16A	6x75	1540	1490	-
2	375775	160	1	10A	6x87	1440	1400	-
3	375649	160	3	20A	6x87	890	880	-
	375380	160	3	20A	6x89	900	900	-
4	390045	160	3	0,5A	6x173	830	800	-
	375623	160	3	20A	6x173	850	600	M9x1
	375328	162	3	20A	6x77	900	-	-
3	375259	165	3	20A	6x77	2440	800	M9x1
	390324	169	3	20A	4x128	890	210/210	-
5	375767	170	1	16A	3,1x160	650	600	-
4	375072	170	3	20A	3,1x524*	350	350	-
3	375558	170	3	20A	6x87	900	800	-
	375577	170	3	0,5A	6x87	900	800	-
1	375222	178	1	16A	3,1x144	830	-	-
3	375364	180	3	20A	4x120	3000	3000	-
1	375106	190	1	16A	3,1x178	350	-	M9x1
3	375528	200	1	0,5A	6x79	900	900	-
6	375379	200	1	0,5A	6x130	900	900	-
7	375518	213	2	0,5A	6x119	890	-	-
8	375742	215	1	15A	6x142	830	-	M9x1
9	390440	220	1	25A	3x130	1720	-	-
6	390047	220	1	0,5A	3x174	800	-	-
10	375351	220	1	16A	4x91	860	-	-
6	375227	220	1	0,5A	4x116	900	700	M9x1
	390063	220	1	15A	6x74	900	-	-
1	375619	220	1	16A	6x77	830	-	M9x1
	375371	220	1	0,5A	6x86	2060	1750	-
6	390061	220	1	0,5A	6x140	900	-	M9x1
	375197	220	1	16A	6x142	2970	2600	-
11	375796	220	3	20A	6x107	870	800	-
3	390064	220	3	20A	6x133	1890	700	-
6	375376	224	1	0,5A	6x133	870	-	M10x1
	375339	225	1	0,5A	6x133	870	-	M10x1
3	375258	225	3	20A	6x94	900	670	M10x1
4	375573	225	3	20A	6x157	940	800	-

\*u-shaped curved sensor





item	order no.	temperature (°C)	number of poles	switch power	sensor $\phi \times L$ (mm)	capillary pipe (mm)	insulated (mm)	gland
8	375323	229	1	0,5A	6x142	830	-	M9x1
12	390028	230	1	16A	3x155	890	600	-
6	375178	230	1	0,5A	4x116	1500	-	-
13	375176	230	1	16A	6x68	430	-	-
6	390060	230	1	0,5A	6x77	870	-	-
14	390176	230	1	16A	6x74	600	-	-
15	375688	230	1	0,5A	6x77	700	-	M9x1
3	375575	230	1	0,5A	6x87	890	-	-
1	375138	230	1	16A	6x96	1050	-	M9x1
6	375601	230	1	16A	6x130	900	700	-
16	375358	230	2	1x20 / 1x0,5A	6x74	880	-	M9x1
3	375359	230	3	2x20 / 1x0,5A	4x120	900	900	-
	375538	230	3	20A	6x75	900	670	M10x1
17	375320	230	3	20A	6x79	1700	1100	-
3	375707	230	3	20A	6x87	1490	1100	M9x1
	375550	230	3	20A	6x87	890	800	M10x1
16	375189	230	3	20A	6x89	3000	2650	M9x1
3	375375	230	3	20A	6x94	900	670	M10x1
11	375746	230	3	20A	6x117	1470	1100	M9x1
	375104	230	3	20A	6x167	830	600	M10x1
4	375102	230	3	20A	6x219	1730	1400	-
	390168	230	3	20A	6x239	830	-	M9x1
	390091	230	3	20A	6x239	830	-	-
10	375263	232	1	16A	4x91	510	350	-
4	375700	232	3	20A	6,5x219	830	800	-
	375200	235	1	0,5A	6x130	900	-	-
6	390062	235	1	0,5A	6x130	1800	1500	M9x1
	375233	235	1	16A	6x133	870	830	-
3	375551	235	3	20A	4x120	1800	1600	M9x1
	375016	235	3	20A	6x87	1790	1400	M9x1
18	375542	238	1	15A	5x100	570	-	-
19	375196	240	1	16A	3x190	1030	50	-
20	375195	240	1	16A	4x84	400	130	-
21	375791	240	1	16A	4x84	400	120	M9x1
5	375109	240	1	16A	4x91	530	350	-

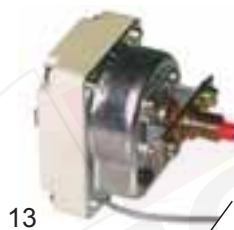




item	order no.	temperature (°C)	number of poles	switch power	sensor $\phi \times L$ (mm)	capillary pipe length (mm)	insulated (mm)	gland
1	375260	240	1	16A	6x77	1280	1050	M10x1
2	390215	240	3	20A	3,1x226	890	-	-
3	375421	240	3	20A	3,1x226	1170	960	-
2	390113	240	3	20A	4x157	890	350	-
	375315	240	3	20A	6x79	900	900	-
	375704	240	3	20A	6x87	890	600	-
	375290	240	3	20A	6x87	2000	1800	-
4	375013	240	3	20A	6x177	1430	1100	M9x1
	375521	240	3	20A	6x177	2380	1100	M9x1
5	375131	245	1	16A	3,1x201	870	600	-
6	375722	245	1	15A	5x100	1450	-	-
7	375120	245	1	12A	6x77	2290	2260	-
2	375586	245	1	0,5A	6x77	1290	1100	-
8	375352	245	1	16A	6x130	1200	1200	-
2	375312	245	3	20A	4x120	1800	1800	-
	375536	245	3	20A	6x75	900	670	M10x1
	375585	245	3	0,5A	6x79	900	900	-
	375578	245	3	20A	6x87	2700	1600	-
5	390124	246	1	16A	6x77	830	-	M9x1
	375039	246	1	16A	6x77	830	-	-
9	375724	246	3	20A	6x79	1300	1100	-
8	375311	250	1	16A	6x87	1470	1460	-
3	375698	250	3	20A	3,1x307	710	700	-
2	375240	250	3	20A	6x87	2310	2300	-
	375580	250	3	20A	6x89	900	900	-
3	375516	250	3	20A	6x107	1470	1100	M9x1
4	375108	250	3	1x20/2x0,5A	6x157	1230	800	-
	375686	250	3	20A	6x219	1430	1100	-
	390087	250	3	20A	6x239	2530	1600/210/375	-
	375641	250	3	20A	6x239	2530	1600/210	-
	375292	253	3	20A	6x79	2000	1800	-
2	375059	255	3	20A	3,1x307	730	700	-
	375694	255	3	20A	6x77	1490	1100	-







item	order no.	temperature (°C)	number of poles	switch power	sensor ø x L (mm)	length (mm)	capillary pipe insulated (mm)	gland
10	375745	260	1	16A	6x77	860	-	-
4	375734	260	3	20A	6x219	2250	800	M9x1
7	375297	268	1	12A	6x77	400	-	-
2	375557	270	3	20A	6x79	900	900	-
7	375790	273	1	16A	6x77	400	-	-
3	375781	275	3	20A	4x157	870	350	-
2	375284	280	3	20A	4x120	900	900	-
3	375764	282	3	20A	4x157	1770	1490	-
2	375286	285	1	0,5A	4x120	1500	1500	-
3	375770	285	3	20A	4x128	870	350	-
4	375588	285	3	1x20 / 2x0,5A	6x157	940	940	-
5	375678	290	1	16A	4x111	710	450	-
4	375127	290	3	20A	6x220	840	-	-
11	375156	291	1	16A	5x90	870	-	-
12	375817	295	1	16A	3x148	610	400	-
2	375340	295	3	20A	4x120	1800	1800	-
4	375679	295	3	20A	4x157	670	350	-
7	375721	297	1	16A	3,03x160	1170	-	-
8	375655	300	1	0,5A	3x174	900	900	-
	375337	300	1	16A	6x74	900	700	-
12	375818	305	1	16A	3x140	2270	2000	-
11	375786	307	1	16A	6x79	1430	1100	M9x1
7	375171	312	1	12A	4x90	560	-	-
13	375078	313	1	0,5A	3,1x160	830	-	-
2	375045	315	3	20A	6x77	1490	1100	M9x1
7	375093	318	1	12A	4x111	530	450	M9x1
5	390505	320	1	16A	6x77	1540	1250	-
8	375285	320	1	16A	6x77	870	-	-
	375807	320	1	16A	6x77	870	660	M10x1
4	375047	320	3	20A	6x177	1430	800	M9x1
9	375357	325	1	0,5A	3x188	900	-	-
5	375117	325	1	16A	4x91	390	-	-
2	375634	325	2	1x20/1x0,5A	4x120	1300	900	3/8"
	375206	325	3	20A	3,1x188	900	700	M10x1
5	375416	329	1	16A	3,03x160	1230	1060	-
2	375291	330	1	20A	6x79	900	900	-
14	375644	335	1	16A	3x200	900	750	-
	375597	335	1	16A	5x79	900	-	-
1	375610	340	1	16A	3,03x144	880	750	M9x1



item	order no.	temperature (°C)	number of poles	switch power	sensor ø x L (mm)	capillary pipe length (mm)	insulated (mm)	gland
1	390126	340	1	16A	3,1x201	1170	-	-
2	375226	340	1	0,5A	3x190	900	900	-
3	375531	340	1	16A	4x100	1860	1710	-
4	375326	340	1	0,5A	6x74	900	900	-
	375162	340	2	0,5A	3x190	900	900	-
2	375418	340	3	20A	4x128	1190	-	-
	375279	345	3	20A	4x120	900	900	-
1	375076	350	1	16A	3,03x141	830	450	-
4	375378	350	1	15A	6x74	900	-	-
	375651	350	1	16A	6x77	670	650	M10x1
	375228	350	3	20A	3x188	900	900	-
	375262	350	3	20A	4x120	900	900	-
	375628	350	3	20A	4x120	900	670	M10x1
	375307	350	3	20A	4x120	1300	1250	-
	375646	350	3	2x20 / 1x0,5A	4x308	890	-	-
2	375695	350	3	20A	6x77	890	-	-
	390141	350	3	20A	6x77	1490	800	-
	375338	350	3	20A	6x79	900	700	-
	375163	350	3	0,5A	6x79	3000	2800	-
	375252	350	3	20A	6x89	3000	960	-
	375388	350	3	20A	6x89	1000	960	-
5	375571	350	3	20A	6x157	940	890	-
	375353	355	1	0,5A	4x120	870	870	-
4	375194	356	1	16A	6x77	870	-	-
	375656	360	1	0,5A	3,1x201	900	870	-
	375324	360	1	16A	4x116	1200	1000	-
2	375344	360	1	0,5A	4x120	1500	1500	-



item	order no.	temperature (°C)	number of poles	switch power	sensor $\varnothing$ x L (mm)	capillary pipe length (mm)	insulated (mm)	gland
2	375599	360	1	0,5A	6x79	890	-	-
	375579	360	1	0,5A	6x74	1500	1500	-
6	375572	360	1	0,5A	6x133	1430	1400	-
	390142	360	3	20A	3,1x188	1490	800	-
	375562	360	3	20A	4x120	900	900	-
2	375350	360	3	20A	4x120	1800	1800	-
	390227*	360	3	20A	4x120	1800	1800	-
	375017	360	3	20A	4x122	1490	-	-
7	375187	360	3	2x20 / 1x0,5A	6x79	890	-	-
2	375563	360	3	1x20 / 2x0,5A	6x79	1200	1200	-
8	375090	365	2	16A	4x120	1170	1100	-
	375680	365	3	20A	4x100	1190	400	-
2	375787	380	2	20A	3,9x163	1190	800	-
	375706	400	3	20A	3,9x228	1190	-	-
4	375663	410	1	16A	4x228	1500	900	-
1	375121	420	1	16A	3,9x228	1130	700	-
2	390181	420	3	20A	3,9x306	870	850	-
	375627	480	3	20A	3,9x228	890	700	-
	375662	500	1	16A	3,9x228	1470	960	-
4	375191	500	1	16A	3,9x230	870	660	-
	390182	500	1	16A	4x228	900	600	-
	375065	500	3	20A	4x308	890	-	-
2	375681	520	3	20A	3,9x228	890	400	-
	375190	560	3	20A	3,9x228	870	700	-
	375257	580	3	20A	4x163	1200	-	-

\*screw connection

## safety thermostats with standard sensor (settable)



item	order no.	temperature range (°C)	number of poles	switch power	sensor ø x L (mm)	capillary pipe length (mm)	insulated (mm)	gland
1	390023	90-110	1	16A	6,5x90	1000	-	-
2	390458	90-110	1	16A	6,5x90	2000	1950	-
3	375741	95-120	1	16A	6x75	2000	450	-
4	390145	0-150	1	16A	6x116	1000	-	-
	390149	0-200	1	16A	6x116	1000	-	-
	390162	50-300	1	16A	6x85	1000	-	-
5	390169	20-500	1	16A	6x275	1000	-	-
4	390163	20-500	1	16A	8x155	1000	-	-

## safety thermostats with curved sensor



item	order no.	temperature (°C)	number of poles	switch power	sensor ø x L (mm)	capillary pipe length (mm)	insulated (mm)	gland
1	375137	250	1	16A	3,03x160	880	800	-
2	375793	250	1	16A	3,03x160	990	800	-

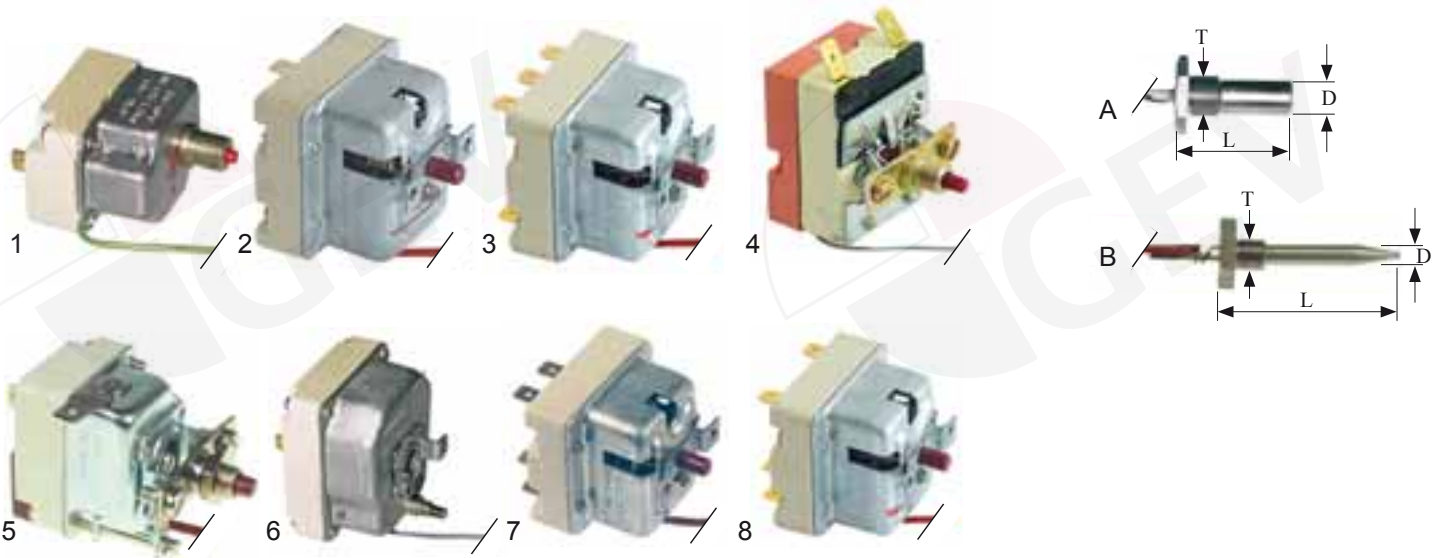
## safety thermostats with button sensor



item	order no.	temperature (°C)	number of poles	switch power	sensor ø x L (mm)	capillary pipe length (mm)	insulated (mm)	gland
1	375118	360	3	20A	15x8	1150	1100	-



## safety thermostats with screw-in sensor



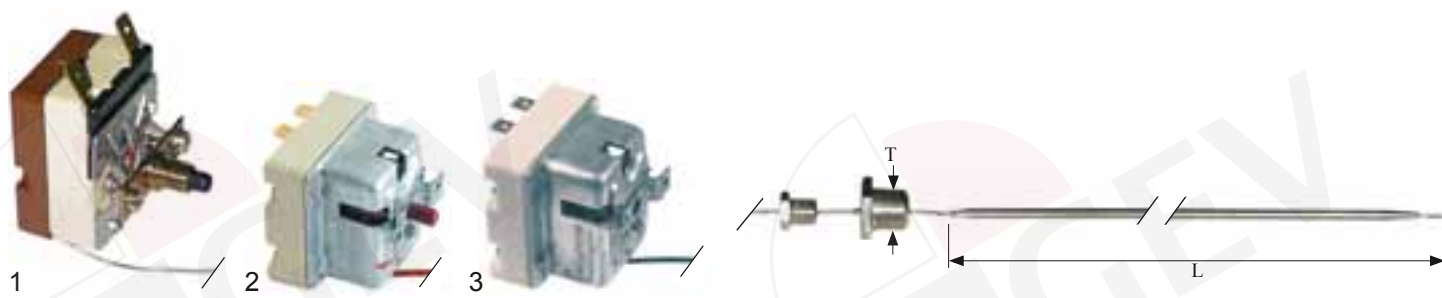
item	order no.	temperature (°C)	number of poles	switch power	sensor thread (T) (mm)	sensor (DxL) (mm)	capillary pipe (mm)	capillary pipe insulated (mm)
1A	375165	135	1	0,5A	M14x1	11x27,5	950	950
2A	375335	135	1	0,5A	M14x1	11x27,5	1000	960
3A	375308	135	3	0,5A	M14x1	11x27,5	1000	960
4A	375205	225	1	16A	M14x1	11x16,5	830	-
3A	375372	225	3	20A	M14x1	11x26	890	700
5A	375373	230	1	0,5A	M14x1	11x26	900	700
5A	375319	230	1	0,5A	M14x1	11x18	900	-
5A	375282	230	1	16A	M14x1	11x28	900	900
5A	375166	230	1	0,5A	M14x1	11x16,5	850	850
6A	390191	230	2	0,5A	M14x1	11x16	870	800
2A	375635	300	1	20A	M14x1	11x16	900	900
5A	375167	320	1	16A	M14x1	11x16,5	900	900
3A	375220	330	3	20A	M14x1	11x18,5	900	900
7A	375789	338	2	20A	M14x1	11x16	900	900
8B	375659	338	2	1x20/1x0,5A	M10x1	6x53	900	900
2A	375684	360	1	20A	M14x1	11x16	900	900

## safety thermostats with special gland



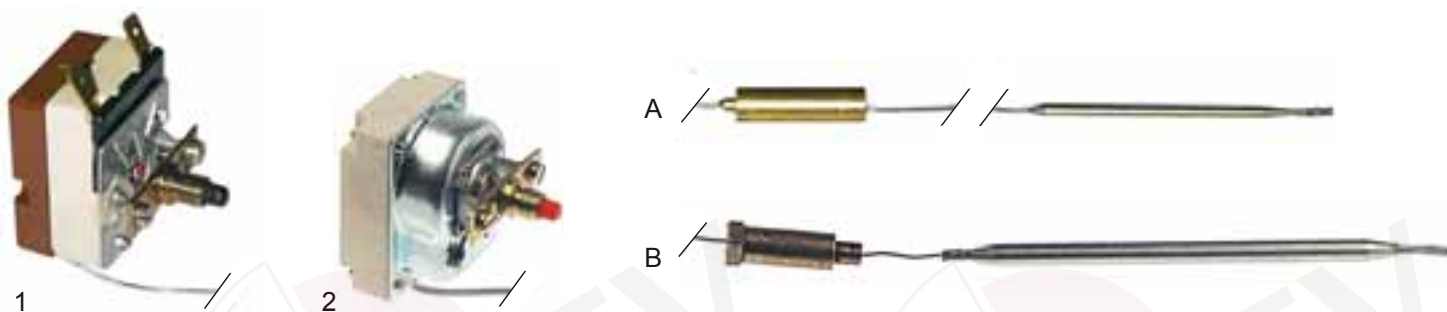
item	order no.	temperature (°C)	number of poles	switch power	sensor ø x L (mm)	capillary pipe (mm)	capillary pipe insulated (mm)	screw connection (mm)
1	375159	365	1	16A	4x96	1160	1100	M14x1
1	375774	365	1	16A	4x96	1160	1100	M10x1
2	375074	365	2	16A	4x116	1170	1100	M14x1

## safety thermostats with special gland



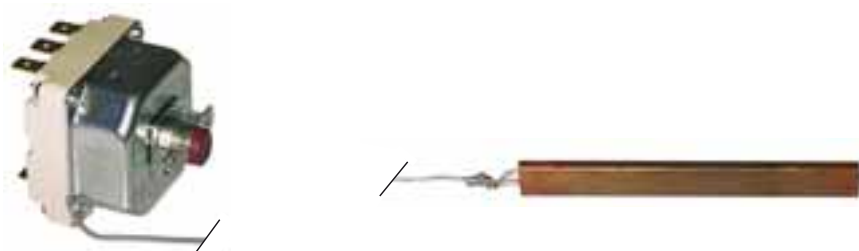
item	order no.	temperature (°C)	number of poles	switch power	sensor ø x L (mm)	capillary pipe (mm)	insulated (mm)	screw connection (T)
1	375077	155	1	16A	3,03x141	1230	1100	1/4"
2	375634	325	2	1x20/1x0,5A	4x120	1300	900	3/8"
3	375808	350	2	1NO 20A 1CO 0,5A	4x120	1300	900	3/8"

## safety thermostats with sealing sleeve



item	order no.	temperature (°C)	number of poles	switch power	sensor ø x L (mm)	capillary pipe (mm)	insulated (mm)	sealing sleeve (mm)
1A	375044	178	1	16A	4x91	1730	1600	8,6x32
2B	375423	230	1	15A	6x142	1050	990	6x7 10x24

## safety thermostats with half-spherical sensor



pos.	order no.	temperature (°C)	number of poles	switch power	sensor ø x L (mm)	capillary pipe (mm)	insulated (mm)	gland
1	390066	220	3	20A	14x105	820	660	-

## safety thermostats with spiral sensor



item	order no.	temperature (°C)	number of poles	switch power	sensor $\varnothing$ x L (mm)	capillary pipe (mm)	insulated (mm)	gland
1	390473	105	2	16A	6x50	430	310	-
	390469	110	2	16A	6x50	1540	160	-
2	390024	110	1	16A	6x50	1540	160	-

## safety thermostats with capillary sensor



item	order no.	temperature (°C)	number of poles	switch power	sensor $\varnothing$ (mm)	capillary pipe (mm)	insulated (mm)	gland
1	375779	108	2	16A	2	1050	-	-
2	390305	165	1	16A	2	490	-	-
3	390476	165	2	16A	2	470	-	-
4	390393	165	2	25A	3	350	-	-
5	390154	165	2	25A	3	750	-	-
6	390391	165	2	20A	3	210	-	-

## thermostats with double function



pos.	order no.	temperature (°C)		number of poles	function	switch power	$\varnothing$ x L sensor (mm)	gland	capillary pipe (mm)	axis length (mm)	spindle position	rotation angle
		thermostat	safety thermostat									
1	390015	135-180	230°C	3	3 NO	16A	6x167	M9x1	1770	23	upper	270°
				3	3 NC	16A	6x87	M9x1	1770			

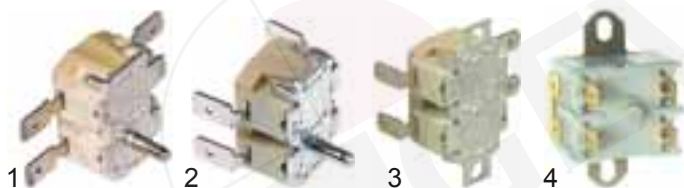
## contact thermostats



item	order no.	final temperature (°C)	function	number of poles	switch power	connections h=horizontal v=vertical	holder type
3	390483	65	NC	1	16A	6,3 h	M4
1	390320	90	NC	1	16A	6,3 v	M4
2	375242	92	NC	1	16A	6,3 h	M4
1	390128	95	NC	1	16A	6,3 v	M4
	390322	100	NC	1	16A	6,3 v	M4
5	390413	100	NC	1	10A	6,3 h	M4
	390152	107	NC	1	16A	6,3 v	M4
1	375160	110	NC	1	16A	6,3 v	M4
	390129	125	NC	1	16A	6,3 v	M4
3	390366	128	NC	1	10A	6,3 v	M4
	390326	130	NC	1	16A	6,3 v	M4
	390153	135	NC	1	16A	6,3 v	M4
1	390158	140	NC	1	16A	6,3 v	M4
	390323	145	NC	1	16A	6,3 v	M4
	390327	150	NC	1	16A	6,3 v	M4
	390328	152	NC	1	16A	6,3 v	M4
4	390533	160	NC	1	16A	6,3 v	M5
1	390329	165	NC	1	16A	6,3 v	M4



item	order no.	final temperature (°C)	function	number of poles	switch power	connections h=horizontal v=vertical	holder type	hole distance (mm)
2	390123	50	NC	1	10A	6,3 h	-	23,8
	390301	60	NC	1	16A	6,3 h	-	23,8
5	390532	70	NC	1	16A	6,3 h	-	24
2	375749	75	NC	1	16A	6,3 h	-	23,8
	390518	77	NC	1	10A	6,3 h	-	23,8
1	390511	78	NC	1	10A	4,8 V	-	-
	390319	80	NC	1	16A	6,3 h	-	23,8
2	375750	85	NC	1	16A	6,3 h	-	23,8
	390107	86	NC	1	10A	6,3 h	-	23,8
1	390160	90	NO	1	10A	6,3 v	-	30
4	390463	90	NC	1	15A	6,3 v	-	24
1	390104	95	NC	1	16A	6,3 v	-	-
4	390464	99	NC	1	15A	6,3 v	-	24
3	390436	100	NC	1	16A	6,3 h	3	-
1	390350	110	NC	1	16A	6,3 v	3	-
2	390361	120	NC	1	10A	6,3 h	-	23,8
	390351	120	NC	1	16A	6,3 v	-	23,8
1	390352	125	NC	1	16A	6,3 v	3	-
	390398	127	NC	1	16A	6,3 v	1	-
3	390362	132	NC	1	16A	6,3 h	3	-
2	390503	135	NC	1	10A	6,3 h	-	23,8
1	390354	135	NC	1	16A	6,3 v	-	23,8
2	390363	140	NC	1	10A	6,3 h	-	23,8
1	390355	140	NC	1	16A	6,3 v	3	-
5	390523	140	NC	1	16A	6,3 h	-	24
1	390356	145	NC	1	16A	6,3 v	3	-
	390358	155	NC	1	16A	6,3 v	3	-
3	390364	155	NC	1	16A	6,3 h	3	-
1	390359	160	NC	1	16A	6,3 v	3	-
	390360	165	NC	1	16A	6,3 v	3	-
3	390365	165	NC	1	16A	6,3 h	3	-
	390435	170	NC	1	16A	6,3 h	3	-
5	375598	300	NC	1	16A	6,3 h	-	24



item	order no.	final temperature (°C)	function	poles	switch power	connections h=horizontal v=vertical	holder type	hole distance (mm)
1	375243	80	NC	2	16A	6,3 h	spindle ø 4mm	-
		105						
2	375733	63	NC	2	16A	6,3 h	spindle ø 4mm	-
		80						
3	375611	180	NC	2	16A	4,8 h	-	34
4	390411	130	NC	2	16A	6,3 v	-	40



item	order no.	final temperature (°C)	function	poles	switch power	connections h=horizontal v=vertical	gasket	hole distance (mm)
1	390025	55	NC	2	16A	6,3 h	512.154	40
		42	NO					
2	390450	66	NC	2	16A	6,3 h	505.093	40
		57	NO					
3	390185	57	NC	1	15A	6,3 v	513.018	-
4	390125	130	NC	1	15A	6,3 h	513.018	-
5	390103	59	NC	1	16A	6,3 v	510.362	-



## surface safety thermostats



item	order no.	final temperature (°C)	function	number of poles	switch power	connections h=horizontal v=vertical	hole distance (mm)
1	390101	53	CO	1	16A	6,3 h	38
2	390441	55	NC	1	16A	6,3 v	38
3	375737	85	NC	1	16A	6,3 h	40
4	390347	115	NC	1	16A	6,3 h	40
2	375625	165	NC	1	16A	6,3 v	43



item	order no.	final temperature (°C)	function	number of poles	switch power	connections h=horizontal v=vertical	hole distance (mm)
1	390231	55	CO	1	16A	6,3 h	40
2	390089	58	NC	1	16A	6,3 h	40
3	390468	60	CO	1	16A	6,3 v	38-42
4	390102	85	NC	1	16A	6,3 h	38-42



pos.	order no.	final temperature (°C)	function	number of poles	switch power	connections h=horizontal v=vertical	hole distance (mm)
1	375095	105	NC	1	16A	6,5 v	18

### accessories



item	order no.	description	item	order no.	description
1	512154	gasket	3	513018	gasket
2	505093	gasket	4	510362	gasket



item	order no.	temperature (°C)	function	number of poles	switch power	connections h=horizontal v=vertical	holder type	hole distance (mm)
3	375751	85	NC	1	16A	6,3 h	-	23,8
1	390461	95	NC	1	16A	6,3 v	2	-
2	375757	100	NC	1	16A	6,3 h	3	-
1	390462	105	NC	1	16A	6,3 v	2	-
2	375755	105	NC	1	16A	6,3 h	3	-
3	390480	105	NC	1	16A	6,3 h	-	23,8
1	390233	110	NC	1	16A	6,3 v	1	-
	390138	112	NC	1	16A	6,3 v	1	-
3	375753	120	NC	1	16A	6,3 h	-	23,8
4	375754	125	NC	1	16A	6,3 v	-	23,8
2	390376	130	NC	1	16A	6,3 h	3	-
4	390197	135	NC	1	16A	6,3 v	-	23,8
2	390377	135	NC	1	16A	6,3 h	3	-
	390378	140	NC	1	16A	6,3 h	3	-
1	390379	150	NC	1	16A	6,3 v	3	-
	390380	155	NC	1	16A	6,3 v	3	-
4	390235	165	NC	1	16A	6,3 v	-	23,8
1	390369	175	NC	1	16A	6,3 v	1	-
3	390509	210	NC	1	16A	6,3 h	-	23,8



item	order no.	temperature (°C)	function	number of poles	switch power	connections h=horizontal v=vertical	holder type
1	390026	70	NC	1	16A	6,3 h	M4
	390412	80	NC	1	16A	6,3 h	M4
	375730	115	NC	1	16A	6,3 h	M4
2	390311	135	NC	1	16A	6,3 v	M4
	390370	145	NC	1	16A	6,3 v	M4
	375732	150	NC	1	16A	6,3 v	M4
	390371	152	NC	1	10A	6,3 v	M4
	390372	165	NC	1	16A	6,3 v	M4



item	order no.	temperature (°C)	function	number of poles	switch power	connections h=horizontal v=vertical	hole distance (mm)
1	390456	85	NC	2	16A	6,3 v	40
	390455	100	NC	2	16A	6,3 v	40
	390367	130	NC	2	16A	6,3 v	40
	390531	150	NC	2	16A	6,3 v	40
	390187	180	NC	2	16A	6,3 v	40
2	390434	145	NC	2	20A	6,3 v	37
3	390432	120	NC	3	25A	M5	50
4	390431	120	NC	2	25A	M5	



item	order no.	application	suitable for:	Ref. no.
1	375624	hot air oven	Zanussi	05206
2	390466	combination steamer, dishwasher	Zanussi	48631



item	order no.	temperature (°C)	function	number of poles	switch power	connections h=horizontal v=vertical
1	390171	110	NC	1	16A	6,3 v
2	390451	115	NC	1	16A	6,3 h
3	390105	130	NC	2	16A	6,3 v



pos.	order no.	temperature (°C)	function	poles	switch power	connections h=horizontal v=vertical	holder type	hole distance (mm)
1	390346	106	NC	1	16A	6,3 v	ø 16mm	23,8
2	390100	110	NC	1	16A	6,3 v	ø 16mm	23,8

## thermal fuses



pos.	order no.	temperature (°C)	switch power
1	358293	60	10A
2	358294	84	10A
3	358301	98	10A
4	358295	104	10A
5	358296	109	10A
6	358297	117	10A
7	358298	128	10A
8	358299	141	10A
9	358300	152	10A
10	358302	167	10A
11	358303	184	10A
12	358304	192	10A
13	358305	216	10A
14	358306	228	10A
15	358307	240	10A



item	order no.	temperature (°C)	function	number of poles	switch power	connections h=horizontal v=vertical	holder type	hole distance (mm)
1	390392	115	NC	1	16A	6,3 v	M4	-
2	375728	105	NC	1	16A	6,3 h	-	24
3	390394	130	NC	1	16A	6,3 v	-	24
4	375294	190	NC	1	16A	6,3 h	-	24
5	390410	200	NC	1	16A	6,3 v	-	24
6	390459	200	NC	1	16A	6,3 v	M4	-

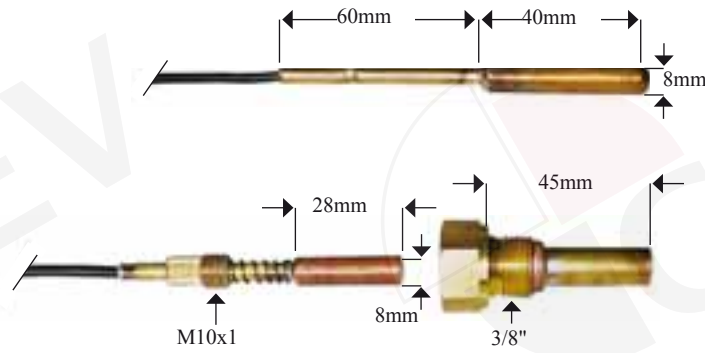
## thermostats with feedback display



1



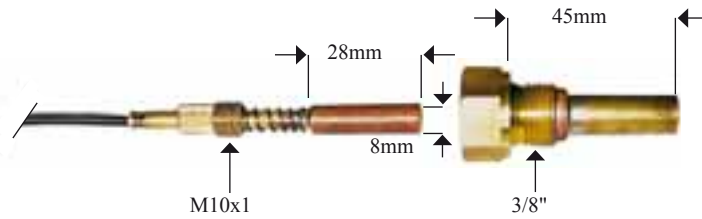
2



item	order no.	temperature range	capillary length (mm)	install ø (mm)	function	external dimension (mm)
1	379031	-40 to +40	1500	60	CO	ø 64
2	379032	0 to +120	1500	60	CO	ø 64



1



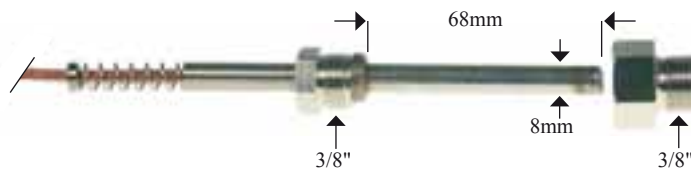
2



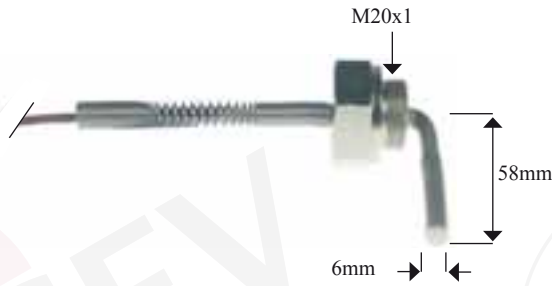
item	order no.	temperature range	capillary length (mm)	install ø (mm)	function	external dimension (mm)
1	379035	0 to +120	1500	80	CO	ø 86
2	379914	0 to +120	1200	60	CO	73x73



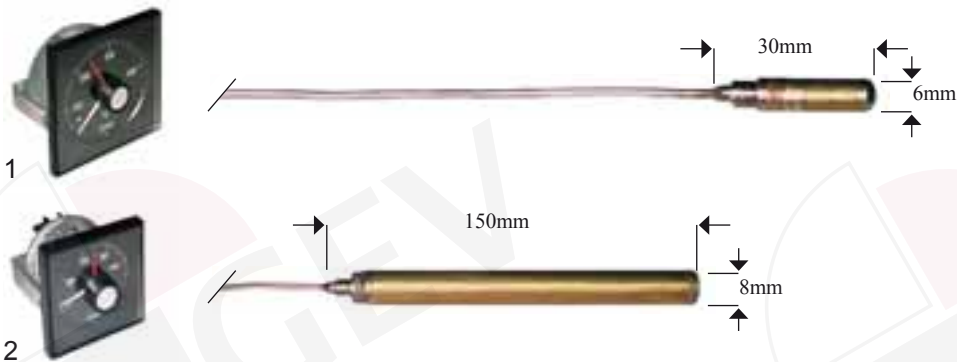
1



2



item	order no.	temperature range	capillary length (mm)	install ø (mm)	function	external dimension (mm)
1	379883	0 to +120	2000	90x90, ø 80	CO	96x96
2	379392	0 to +200	550	60	CO	73x73



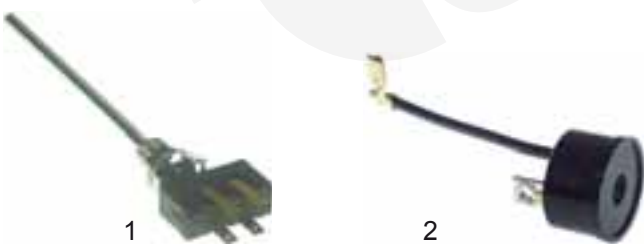
item	order no.	temperature range (°C)	capillary length (mm)	install ø (mm)	function	external dimension (mm)
1	379034	50 to +450	1150	80	CO	73x73
2	379039	0 to +500	1100	60	CO	72x72

## rod thermostats



item	order no.	temperature (°C)	function	number of poles	switch power	plunger socket	
						T	length
1	390241	25-90	CO	1	16A	1/2"	90
	390499	25-90	CO	1	16A	1/2"	190
2	390497	0-90	CO	1	16A	1/2"	100
	390498	0-90	CO	1	16A	1/2"	200
3	390108	0-100	CO	1	6A	1/2"	200

## safety rod thermostats



item	order no.	temperature (°C)	function	number of poles	switch power	plunger socket	
						T	length
1	390433	145	NC	2	20A	16 mm	200
2	390368	40-150	CO	1	15A	1/2"	90



pos.	order no.	temperature range (°C)		function	number of poles	switch power	plunger socket	
		thermostat	safety thermostat				T	length
1	390496	0-90	-	CO	1	16A	1/2"	100
		-	90-110	NC	1	16A		



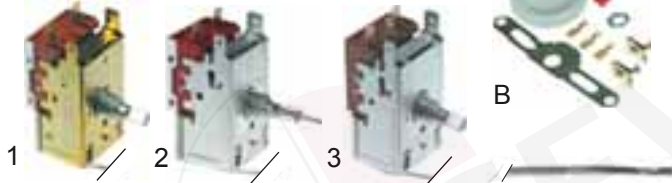
## cooling thermostats

universal



item	order no.	temperature range °C	sensor ø x L (mm)	capillary pipe (mm)	marque
1	390534	-35 to +35	6x110	1800	Prodigy
	390010	-35 to +35	6x110	1500	
	390535	0 to +40	6x110	1500	Prodigy
2	390536	-35 to +35	6x110	1500	Prodigy
	390012	-35 to +35	6x110	1500	
3	390537	0 to +40	6x110	1500	Prodigy
	390538	-35 to +35	6x110	-	Prodigy
	390011	-35 to +35	6x110	-	

## service thermostats RANCO Varifix



item	order no.	temperature values (°C)		sensor ø x L (mm)	capillary pipe mm	no. Ranco
		cold	warm			
	390560	-22,5	+2	-	1200	VC101 K50-H1104
1A	390561	-18	+3,5	-	1200	VA102 K50-H1105
	390562	-32	-12	-	2000	VF103 K50-H1106
2B	390563	-19	-1	-	1600	VP104 K60-L2024
3A	390564	-34	-12	-	2000	VS105 K54-H1404
1A	390565	-3	+12,5	-	2000	VB107 K50-H1107
3A	390566	-21	+4,5	-	2000	VI109 K59-H1303
1A	390567	-12	+4	-	2000	VC110 K50-H1108
2B	390568	-31	-5	-	1500	VP111 K60-L2025
3A	390569	-28	+5	-	1500	VI112 K59-H2805

## application service thermostats

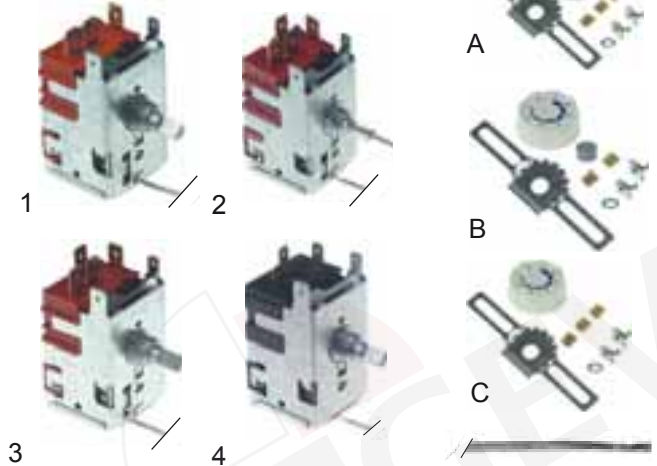
application	Ranco type	CP - no.	Danfoss type	CP - no.
*fridges	VC110	390567	-	-
** fridges	VC101	390560	ST1	390552
** fridges with pressure button for defrosting	VP104	390563	ST2	390553
*** fridges with pressure button for defrosting	VP111	390568	-	-
absorption refrigerators	VA102	390561	ST4	390555
**/**fridges with automatic defrosting	VI112	390569	ST3	390554
refrigerator with cyclic defrosting	VI109	390566	-	-
freeze cabinets without signal	VF103	390562	ST5	390556
freeze cabinets signal active	VS105	390564	ST6	390557
freeze cabinets signal passive	-	-	ST7	390558
bottle cooler	VB107	390565	ST8	390559

## DANFOSS



pos.	order no.	temperature values (°C)		capillary pipe (mm)	no. Danfoss
		cold	warm		
1	390268			2000	077B0070L
2	390269	-34	-15	2000	077B2033
3	390218	-16	+6	1200	077B0052L
4	390219	-27	-14	1200	077B0065L
5	390220	-5	+15	1200	077B0082L
6	390221	+6	+15	1200	077B0122L

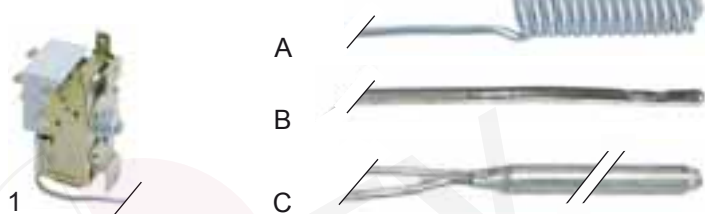
## service thermostats DANFOSS



item	order no.	temperature values (°C)		sensor ø x L (mm)	capillary pipe (mm)	no. Danfoss
		cold	warm			
1A	390552	-25	+2	-	1300	077B7001
2B	390553	-21	0	-	1300	077B7002
3A	390554	-27,5	+3,5	-	1600	077B7003
3C	390555	-11	+3,5	-	1500	077B7004
1C	390556	-32,5	-7,5	-	2300	077B7005
3A	390557	-34,5	-10	-	2300	077B7006
4C	390558*	-35,5	-10	-	2300	077B7007
1A	390559	-8,5	+11,5	-	2000	077B7008

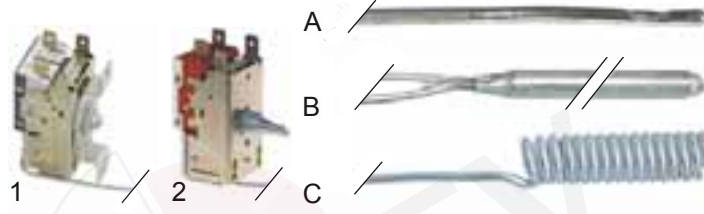
\* Faston 4,8 mm

## RANCO K22



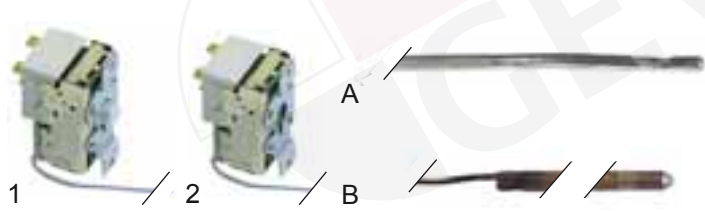
item	order no.	temperature values (°C)		sensor ø x L (mm)	capillary pipe (mm)	no. Ranco
		cold	warm			
1A	390209	-14,5	20,5	9 x 40	2000	K22L1020
	390345	-	-	-	2500	K22L1034
	390297	+1	+3	-	1000	K22L1068
1B	390201	-16	-	-	2500	K22L2021
	390202	-	-	-	1500	K22L2025
	390207	-13	-4	-	2000	K22L2030
	390549	+19,5	+31	-	800	K22L2035
	390550	+2	+42	-	1400	K22L2047
1B	390260	-	-	-	2030	K22L2533
1C	390274	-5	13	10 x 100	2000	K22L2554
1B	390261	-5	13	-	2550	K22L2557
1C	390223	-	-	10 x 110	2000	K22L2560
	390277	-26,5	-19,5	9 x 40	1600	K22L3020
	390280	-14	-9	9 x 35	1600	K22L3021
1A	390279	-	-	9 x 35	1600	K22L3022
	390539	-2	+8	-	2000	K22L3521

## RANCO K50



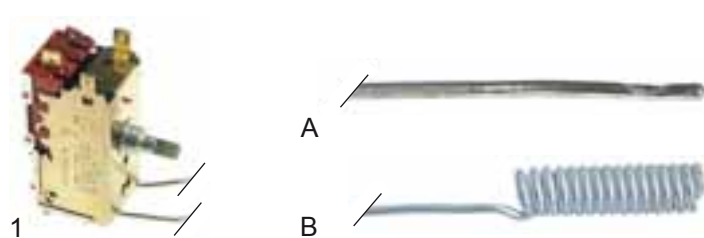
item	order no.	temperature values (°C)		sensor ø x L (mm)	capillary pipe (mm)	no. Ranco
		cold	warm			
2A	390560	-22,5	+2	-	1200	K50H1104
2A	390561	-18	+3,5	-	1200	K50H1105
2A	390562	-32	-12	-	2000	K50H1106
2A	390565	+3	+12,5	-	2000	K50H1107
2A	390567	-12	+5	-	2000	K50H1108
2C	390547	2,5	+14	-	1500	K50H2005
1A	390208	-	-	-	2000	K50L3006
	390270	+1	+7,5	-	1250	K50L3019
2A	390271	-7	-3	-	2000	K50L3078
	390548	-3	+12	-	1200	K50L3081
1A	390288	-24	-14	-	2100	K50L3163
2B	390273	+1	+3	10 x 40	1870	K50L3194
	390224	-	-	-	2000	K50L3199
2A	390278	-	-	-	1500	K50L3207
1A	390340	-	-	-	2000	K50L3209
2B	390520	-	-	9 x 70	2000	K50L3332
	390521	-	-	9 x 35	2000	K50L3344
1A	390286	-	-	-	1500	K50L3383
	390255	+1,5	+11	-	2000	K50P1115/007
	390285	+1,5	+11	-	2000	K50P1115/012
	390272	-32	-12	-	2000	K50P1117
	390292	-3	+2,5	-	1250	K50P1118
2A	390545	-18	+9,5	-	1200	K50P1125
	390546	+1,5	+12,5	-	1200	K50P1127
	390254	-	-	-	2500	K50P1135
	390540	-	-	-	400	K50P1459
	390619	-	-	-	2000mm	K50P6073

## RANCO K36



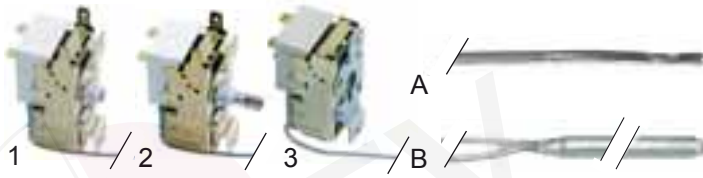
pos.	order no.	temperature values (°C)		sensor ø x L (mm)	capillary pipe (mm)	no. Ranco
		cold	warm			
1A	390238	-	-	-	2000	K36L7009
	390342	-	-	6,5 x 100	450	K36L7257
2B	390203	-	-	6,5 x 110	900	K36L7259
	390343	-	-	6,5 x 100	450	K36L7264

## RANCO K52



item	order no.	temperature values (°C)		sensor ø x L (mm)	capillary pipe (mm)	no. Ranco
		cold	warm			
1	390214	-6,4	+3,2	-	2100	K52L4512
A+B		-	-	11 x 30	2100	

## RANCO K55



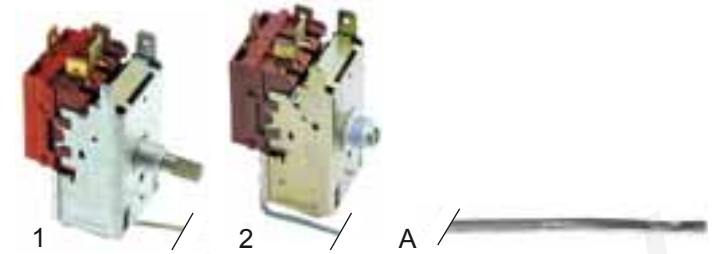
item	order no.	temperature values (°C)		sensor ø x L (mm)	capillary pipe (mm)	no. Ranco
		cold	warm			
1B	390210	+1,7	+9,5	10 X 110	1100	K55L1042
	390551	+1,9	+30,5	-	700	K55L5014
	390259	-0,5	+8	-	2000	K55L5026
	390251	-1,4	+5,4	-	2000	K55L5027
	390275	-24	-19	-	2000	K55L5047
	390239				1500	K55L5063
3A	390276			-	2000	K55L5069
	390252	-22	-7	-	2500	K55L5070
	390250	+2	+10	-	2000	K55L5078
	390248	+2	+10	-	2000	K55L5079
	390217	-3	+10	-	2000	K55L5080
2B	390283			10 x 110	1100	K55L5081
	390284			10 x 110	1500	K55L5082
3A	390262	-0,5	+4	-	2500	K55L5085
	390263	-10	-2	-	2500	K55L5086
	390264	-24	-19	-	2500	K55L5087
2A	390541	-20	-8	-	2300	K55L5096

## RANCO K60



pos.	order no.	temperature values (°C)		sensor ø x L (mm)	capillary pipe (mm)	no. Ranco
		cold	warm			
1	390563	-19	-1	-	1600	K60L2024
2	390568	-31	-5	-	1500	K60L2025
3	390258			-	830	K60L2032
4	390257	-17	-10	-	900	K60L2034
5	390256	-18	+3,5	-	1500	K60L2044
6	390247			-	2000	K60L2112
7	390246			-	830	K60L2141
8	390543			-	400	K60P1106

## RANCO K61



item	order no.	temperature values (°C)		sensor ø x L (mm)	capillary pipe (mm)	no. Ranco
		cold	warm			
1	390212			-	750	K61L1500
	390206			-	1800	K61L1501
	390289			-	2150	K61L1502
2	390344			-	1500	L61L1505
1	390287			-	2300	K61L1506

## RANCO K59



pos.	order no.	temperature values (°C)		sensor ø x L (mm)	capillary pipe (mm)	no. Ranco
		cold	warm			
1	390566	-21	+4,5	-	2000	K59H1303
2	390569	-28	+5	-	1500	K59H2805
3	390519			-	1200	K59L4126

## surface mounted thermostats

RANCO

© GEV 2007



item	order no.	description	temperature range (°C)	difference (°C)		capillary pipe length (mm)	sensor ø x L (mm)	no. Ranco
				low range	high range			
1	390426	space thermostat	-35 to -7	1 fixed	1,5 fixed	-	-	016-H 6900
	390330	space thermostat	-18 to +13	1 fixed	1,5 fixed	-	-	016-H 6901
	390331	space thermostat	+10 to +40	1 fixed	1,5 fixed	-	-	016-H 6903
	390332	space thermostat	-5 to +25	1 - 6	2 - 10	-	-	016-H 6906
2	390333	capillary thermostat	-34 to +32	8 - 22	-	1800	9,5 x 150	016-H 6930
	390334	capillary thermostat	-35 to -7	1,7 - 7	3 - 12	2000	9,5 x 38	016-H 6950
3	390335	capillary thermostat	-18 to +13	1,7 - 7	3 - 12	2000	9,5 x 38	016-H 6951
	390336	capillary thermostat	-5 to +25	1,7 - 7	3 - 12	2000	9,5 x 38	016-H 6954
4	390337	capillary thermostat	-5 to +25	1,7 - 7	3 - 12	1800	14,5 x 140	016-H 6981

## DANFOSS

Thermostats



item	order no.	description	temperature range (°C)	difference (°C)		capillary pipe length (mm)	sensor ø x L (mm)	no. Danfoss	type
				low range	high range				
1	390494	space thermostat	-30 to +15	6,0 - 23	1,5 - 7	-	40 x 25	60L1106	KP 62
	390495	space thermostat	-5 to +35	4,5 - 25	1,8 - 7	-	40 x 25	60L1111	KP 68
2	390486	antifreezing thermostat	-30 to +15	5,5 - 23	1,5 - 7	5000	-	60L1101	KP 61
3	390487	capillary thermostat with manual switch	-30 to +15	5,5 - 23	1,5 - 7	2000	9,5 x 70	60L1128	KP 61
4	390488	capillary thermostat	-50 to -10	10,0 - 70	2,7 - 8	2000	9,5 x 70	60L1108	KP 63
	390489	capillary thermostat	-5 to +35	4,5 - 25	1,8 - 7	2000	9,5 x 70	60L1112	KP 69
5	390490	capillary thermostat	-5 to +20	3,0 - 10	2,2 - 9	2000	9,5 x 115	60L1113	KP 71
	390491	capillary thermostat	-5 to +20	3 fixed	3 fixed	2000	9,5 x 115	60L1115	KP 71
	390493	capillary thermostat	0 to +35	3,5 - 16	2,5 - 12	2000	9,5 x 115	60L1137	KP 75
6	390492	capillary thermostat	-25 to +15	12,0 - 70	8,0 - 25	2000	6,4 x 95	60L1117	KP 73



## accessories for thermostats

### glands



item	order no.	duct (mm)	gland (mm)	for sensor mm	gasket
1	550148	M12x0,75	M9x1	max. ø 6,5	EPDM
2	550358	M12x0,75	M9x1	max. ø 6,5	silicone
3	550147	3/8"	M13x1	max. ø 9,5	EPDM

### glands for sensor with disc 14 mm



pos.	order no.	duct (mm)	gland (mm)	for sensor (mm)	gasket
1	550234	3/8"	M16x1	max. ø 10,0	-

### ducts



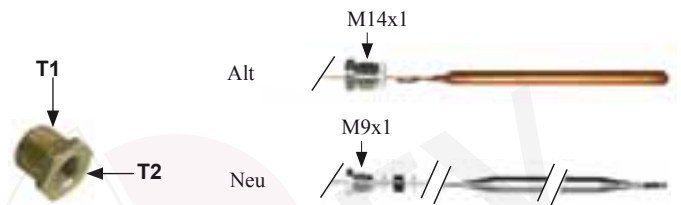
item	order no.	duct (mm)	gland (mm)	for sensor (mm)
1	550271	M12x0,75	M9x1	max. ø 6,5
2	550272	M14x1	M9x1	max. ø 6,5
	550336	M14x1	M10x1	max. ø 6,5

### ducts with protective pipe for capillaries



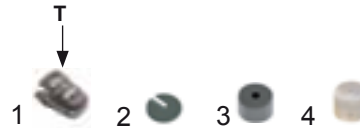
item	order no.	duct (mm)	gland (mm)	for sensor (mm)
1	550285	M12x0,75	M9x1	max. ø 6,5
2	550890	M12x0,75	M10x1	max. ø 6,5

### adapter for glands



pos.	order no.	T1 (mm)	T2 (mm)	for sensor mm
1	520216	M14x1	M9x1	max. ø 6,5

### glands components



item	order no.	description	T	ø size (mm)	Qty (pieces)
1	520243	bolt with slot	M9x1	-	10
	520244	bolt with slot	M10x1	-	10
2	510241	washer with slot	-	7,8 x 1	10
	510591	washer with slot	-	8,8 x 1	10
3	510451	gasket EPDM	-	7,8 x 7	10
	510452	gasket silicone	-	7,8 x 7	10
4	510592	gasket silicone	-	8,8 x 7	10

### capillary clamps



item	order no.	description	size (mm)
1	550138	for circular pipe heating element	ø 8,5
2	550491	for circular pipe heating element	ø 8,5
3	550004	for ribbon heating element	17x6

### sensor clamps



item	order no.	sensor	heating element (mm)
1	550006	ø 4 mm	ø 8,5
2	550539	ø 6 mm	ø 8,5
3	550117	ø 6 mm	ø 8
4	550005	ø 6 mm	17x6

## sensor clamps with distance to heating element



item	order no.	sensor $\varnothing$ (mm)	heating element (mm)	Qty (piece)
1	550498	$\varnothing$ 4	$\varnothing$ 8,5	1
2	550419	$\varnothing$ 6	$\varnothing$ 8,5	1
3	550403	$\varnothing$ 6	$\varnothing$ 8,5	1
4	550930	$\varnothing$ 6	$\varnothing$ 8	1
	550135	$\varnothing$ 6	$\varnothing$ 8	10
5	550043	$\varnothing$ 6	17x6	1

## sensor clamps with double fixation



item	order no.	for sensor (mm)	for heating element $\varnothing$ (mm)	distance to heating element (mm)	Qty (piece)
1	550062	2x $\varnothing$ 3,1	8,5	24	1
2	550061	1x $\varnothing$ 3,1 1x $\varnothing$ 5,0	8,5	30	1
3	550540	$\varnothing$ 6,0	8,5	27	1
4	550417	$\varnothing$ 6,0	8,5	15-19	1

## universal clamps



item	order no.	for sensor $\varnothing$ (mm)	for heating element $\varnothing$ (mm)	Qty (piece)
1	550878	6,0	-	1
	550136	6,0	-	10
2	550877	-	8,0	1
	550137	-	8,0	10
3	550357	3,1	-	1
4	550401	6,0	-	1

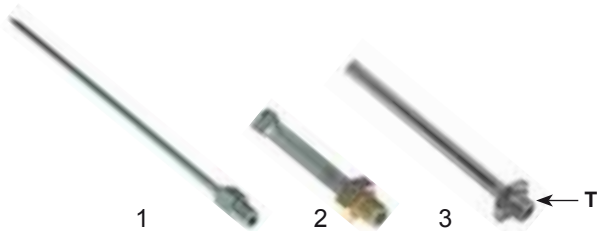
## single plunger sockets



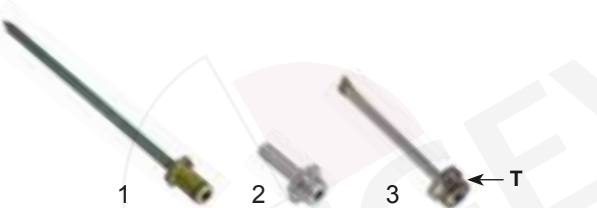
item	order no.	T	inner $\varnothing$ (mm)	length $\varnothing$ (mm)	material
1	503104	3/8"	6,5	120	Cu-brass
2	511426	1/2"	6,5	35	CNS
3	510935	1/2"	6,5	100	CNS
4	519211	1/2"	6,5	120	CNS-brass



item	order no.	T	inner $\varnothing$ (mm)	length (mm)	material
1	379179	1/2"	8	140	CNS
2	510987	1/2"	10	44	CNS
3	501213	M14x1	6,5	147	CNS
4	550269	M14x1	6,5	235	CNS-brass



item	order no.	T	inner $\varnothing$ (mm)	length (mm)	material
1	550538	M10x1	4,0	230	CNS
2	550207	M12	6,5	83	CNS-brass
3	550443	1/4"	6,5	120	CNS



item	order no.	T	inner $\varnothing$ (mm)	length (mm)	material
1	550149	M14x1	6,5	217	CNS-brass
2	504139	3/8"	6,5	38	CNS
3	506130	1/2"	6,5	107	CNS

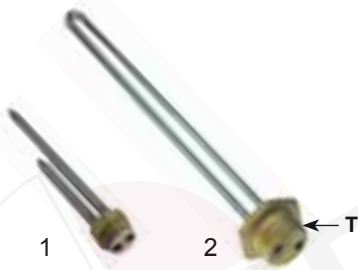


pos.	order no.	T1	T2	inner $\varnothing$ (mm)	length (mm)	material
1	513032	M14x1	M10x1	9	34	CNS

## double plunger sockets



item	order no.	T	inner $\varnothing$ (mm)	length (mm)	material
1	506059	1/2"	6,5	113	CNS
2	510986	1/2"	6,5	120	CNS
3	550260	1/2"	6,5	210	CNS-brass



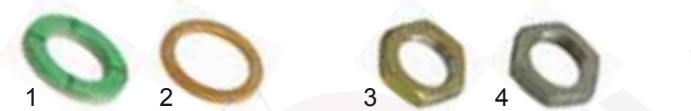
item	order no.	T	inner ø (mm)	length (mm)	material
1	550270	1/2"	6,5 6,5	90 150	CNS-brass
2	550469	3/4"	4,0	230	CNS-brass

### triple plunger sockets



item	order no.	T	inner ø (mm)	length (mm)	material
1	511425	1/2"	6,5	100	CNS
2	550139	3/4"	6,5 5,0	100 140	CNS

### accessories

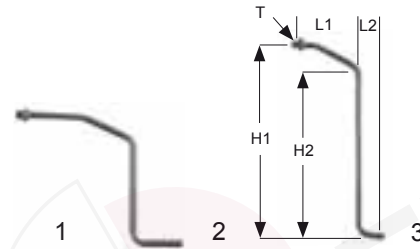


item	order no.	description	size	item	order no.	description	size
	507332	fibre gasket	1/4"		361182	nut brass	1/4"
	521137	fibre gasket	3/8"		361183	nut brass	3/8"
	521122	fibre gasket	1/2"		361184	nut brass	1/2"
1	510403	fibre gasket	3/4"	3	520234	nut brass	3/4"
	510416	fibre gasket	M10		520231	nut brass	M10x1
	521110	fibre gasket	M12		521133	nut brass	M14x1
	510417	fibre gasket	M14		520230	nut brass	M14x1,5
	529361	gasket CU	1/4"		550931	nut CNS	1/4"
	528520	gasket CU	3/8"		506024	nut CNS	3/8"
	521123	gasket CU	1/2"		550932	nut CNS	1/2"
2	510421	gasket CU	3/4"	4	550933	nut CNS	3/4"
	528433	gasket CU	M10		521129	nut CNS	M10x1
	510414	gasket CU	M12		550934	nut CNS	M12
	510420	gasket CU	M14		550261	nut CNS	M14x1
					521101	nut CNS	M14x1,5

### protective pipes for capillaries

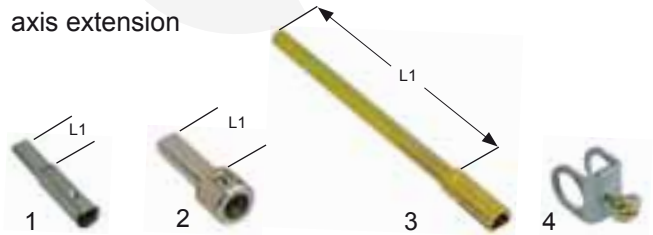


item	order no.	H1 (mm)	L1 (mm)	L2 (mm)	T (mm)
1	550385	120	50	125	10x1
2	550386	148	46	100	10x1
3	550146	210	25	30	10x1



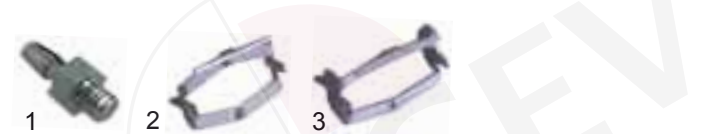
item	order no.	H1 (mm)	H2 (mm)	L1 (mm)	L2 (mm)	T
1	550379	178	135	120	48	M10x1
2	550380	215	190	67	30	M10x1
3	101860					nut M10x1

### axis extension



item	order no.	L1 (mm)	total length (mm)
1	550142	13	35
2	550143	18	28
	550141	28	38
3	550144	80	100
4	550145	fixing strap zu 550144	

### connection elements



item	order no.	description	Qty (piece)
1	550020	connection pin M4	10
2	550059	connecting bow short	1
	550027	connecting bow short	10
3	550060	connecting bow long	1
	550028	connecting bow long	10

### front fixing



pos.	order no.	description
1	550259	front fixation kit for safety thermostats

### conversion panels for electronic or mechanical thermostats with display



item	order no.	hole cover max. (mm)	size (mm)	indicator lamp size ø (mm)
1	400043	45,5x45,5, ø 45,5	65x65	10
2	400044	67x67, ø 67	82x82	10
3	400041	91x91, ø 91	110x110	10

**Notes**



**Member of the GEV GROUP**

**GEV Großküchen-Ersatzteil-Vertrieb GmbH**  
Robert-Koch-Straße 3a  
82152 Planegg/Munich  
Germany

Phone: +49 (0)89 745572-0  
Fax: +49 (0)89 745572-83  
order@gev-online.com  
www.gev-online.com

**order no.: P020601001**

