

Compact pressure sensor SPAB

FESTO



The inexpensive, compact pressure sensor SPAB with display is distinguished by its outstanding ease of operation thanks to intuitive menu navigation. It's simple to set up with surprisingly short installation and commissioning times thanks to compact dimensions of only 30 x 30 mm.

Diversity in action

Thanks to a great variety of configuration options:

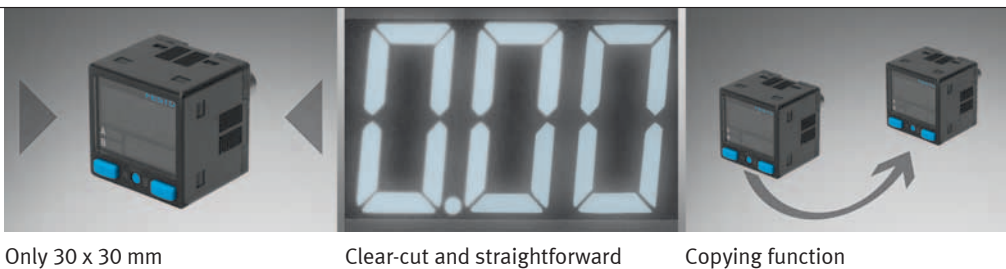
- NPN or PNP switching outputs
- Analogue voltage output
- Country-specific pressure connection in NPT, RPT and G formats
- Electrical connection: M8 or cable
- Wall or panel mounting

Conspicuously clear-cut

With its clear-cut switching status display, the SPAB reliably indicates system status. Its two-part, three colour display assures straightforward menu navigation and read-outs.

Quick copying

After one device has been programmed, settings can be transferred to all other SPAB pressure sensors.



320.1.PSI →

Product Short Information

Compact pressure sensor SPAB

Type codes

		SPAB	-	P10R	-	G18	-	2P	-	K1
Function										
SPAB	Compact pressure sensor with display									
Pressure measuring range										
B2	-1 to 1 bar									
P10	0 to 10 bar									
Measured variables										
R	Relative pressure									
Pneumatic connection										
G18	M5 internal and G1/8" external thread									
R18	M5 internal and RPT external thread									
N18	M5 internal and NPT external thread									
Electrical output										
2P	2 switching outputs, PNP									
2N	2 switching outputs, NPN									
PB	1 switching output, PNP, and 1 to 5 V analogue									
NB	1 switching output, NPN, and 1 to 5 V analogue									
Electrical connection										
K1	Cable, 2.5 m long									
M8	M8x1 plug									

Technical data

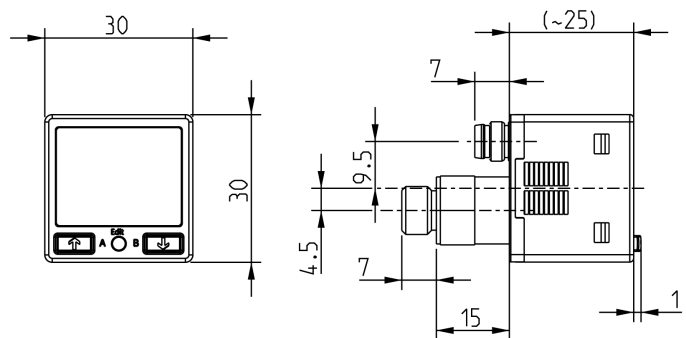
Design	...-B2-...	...-P10-...
Pressure meas. range [bar]	-1 to +1	0 to 10
Measured quantity	Relative pressure	
Pneumatic connections	M5 internal, G1/8" external M5 internal, RPT 1/8 external M5 internal, NPT 1/8 external	
Display	3-colour LCD	
Accuracy FS	1 %	2%

Electrical data

Switching outputs	2 x PNP; 2 x NPN
Analogue output	1 to 5 V
Operating voltage range	12 to 24 V DC
Electrical connection	M8x1 plug; Cable, 2.5 m long

Operating and ambient conditions

Operating medium	Filtered compressed air, lubricated or unlubricated, degree of filtering: 40 µm
Operating temperature range	0 to 50° C
Protection class	IP 40
Approval	c UL us recognised (OL); C-Tick



Festo AG & Co. KG

Ruiter Strasse 82
73734 Esslingen
www.festo.com
Tel. +49 711 347-0
Fax +49 711 347-2144
service_international@festo.com