

UAGP170

UNIVERSAL Power pivot

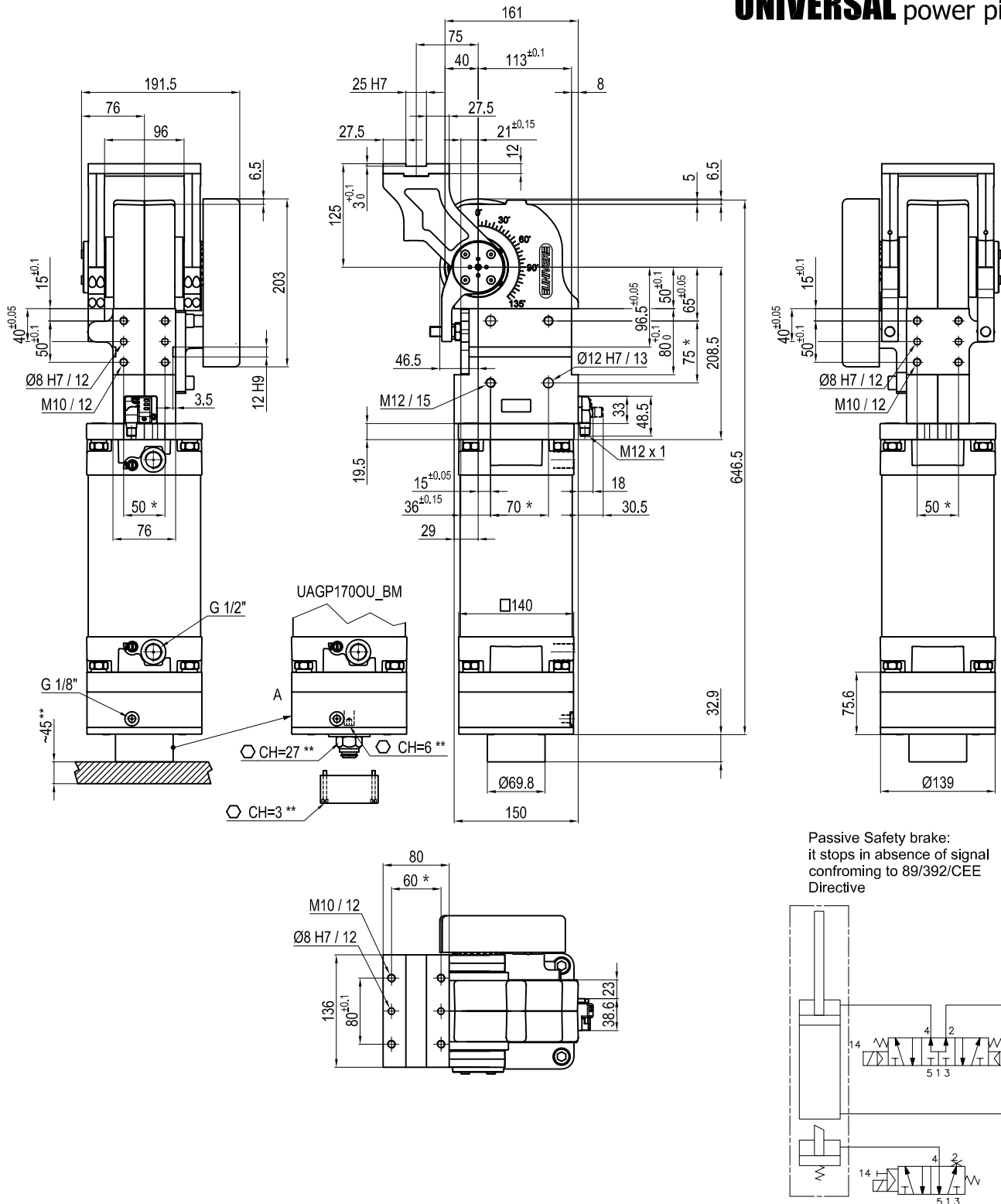


U	A	G	P	1	7	0	V	U	D	B		
1		2		3			4		5		6	7

1 Series	2 Version	3 Size
UAG = UNIVERSAL power pivot with adjustable pivot rotation in 15° intervals. Possible opening angles:: 15° - 30° - 45° - 60° - 75° - 90° - 105° - 120° (standard)	P = Pneumatic	170

4 Table position	5 Sensing style	6 Shock absorbers mount position
V = Verticale 180° O = Horizontal 90°	U = Electronic sensor with M12 swivel connector, 24 Vcc.	D = Right S = Left

7 Brake system
B = With brake system



Passive Safety brake:
it stops in absence of signal
conforming to 89/392/CEE
Directive

Size	Holding moment	Max. torque at the rotary table 0,55 MPa	Weight
170	4000 Nm	170 Nm	24.8 Kg.

* : TOLERANCE BETWEEN DOWEL HOLES ± 0.02, TO SCREW HOLES ± 0.1
** : AREA TO ACCESS THE MANUAL UNBLOCKING OF THE SAFETY BRAKE,
PRODUCT CODE: UAGP170OU_BM

Date	Change
18.07.08	Protection covers update

Subject to technical modifications without notice.

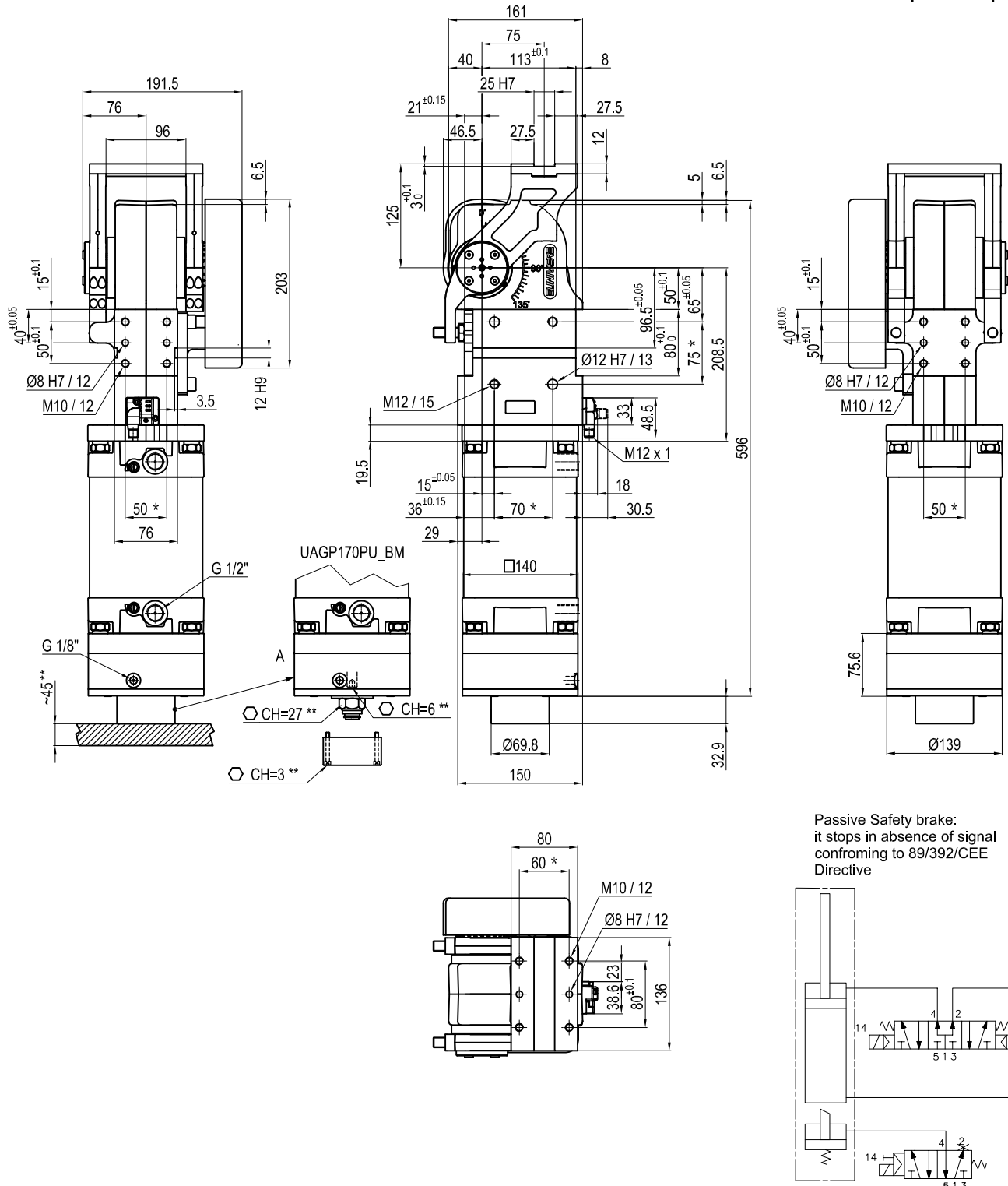
Min./Max. operating pressure: **0,4 / 0,8 MPa**
Operating temperature: **5° ÷ 45° C**

Pivot rotation in degrees: **15° - 30° - 45° - 60° - 75° - 90° - 105° - 120°**
adjustable opening angles in 15° increments

Horizontal arm mount position

Electronic 24 Vdc sensor with M12 swivel connector
that can be orientated at 0° or 90°

Protection class: **IP 65**



Passive Safety brake:
it stops in absence of signal
conforming to 89/392/CEE
Directive

Size	Holding moment	Max. torque at the rotary table 0,55 MPa	Weight
170	4000 Nm	170 Nm	24.8 Kg.

* : TOLERANCE BETWEEN DOWEL HOLES ± 0.02 , TO SCREW HOLES ± 0.1
** : AREA TO ACCESS THE MANUAL UNBLOCKING OF THE SAFETY BRAKE,
PRODUCT CODE: UAGP170PU_BM

Min./Max. operating pressure: **0,4 / 0,8 MPa**
Operating temperature: **5° ÷ 45° C**

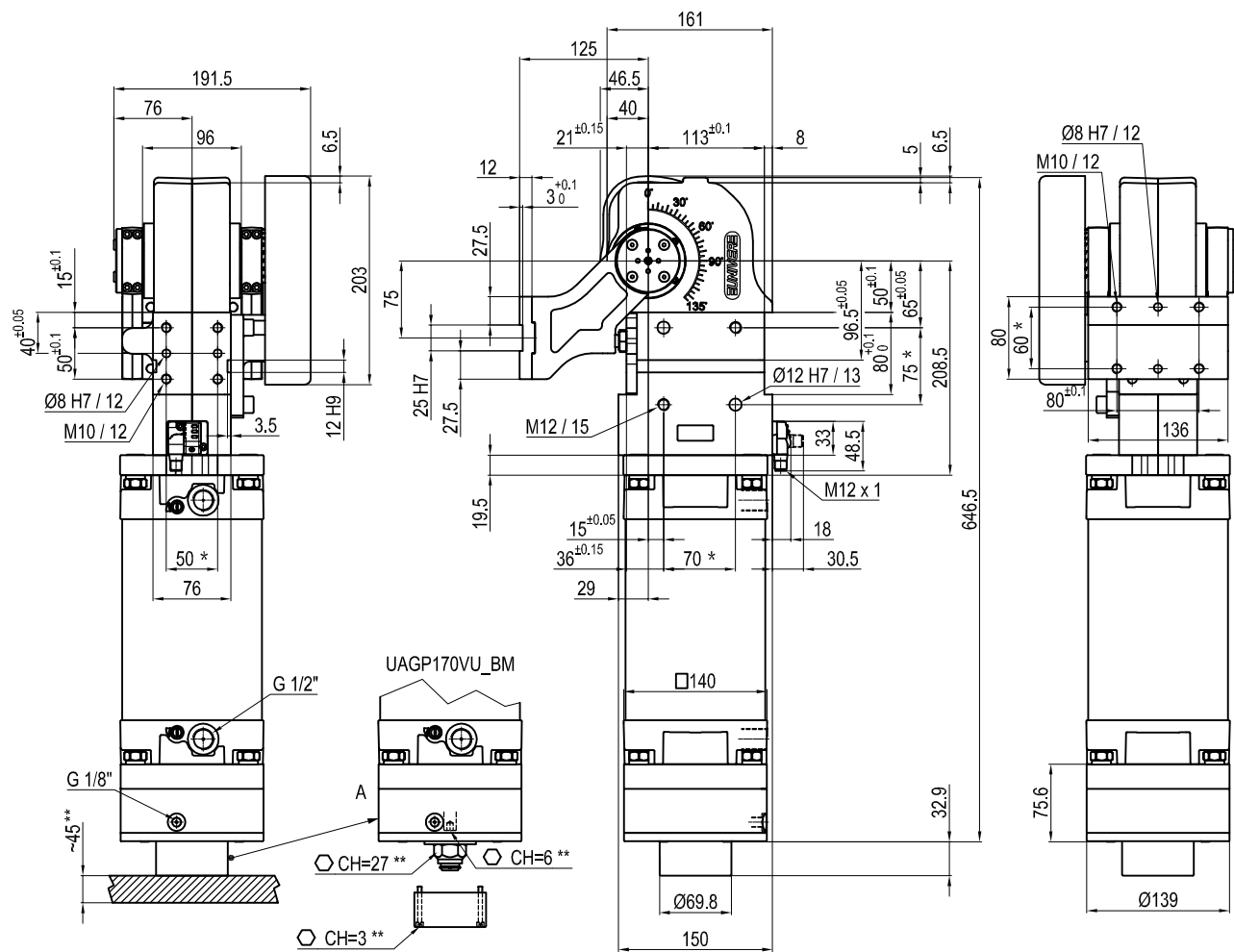
Pivot rotation in degrees: **15° - 30° - 45° - 60°** adjustable opening angles in 15° increments

Horizontal arm mount position

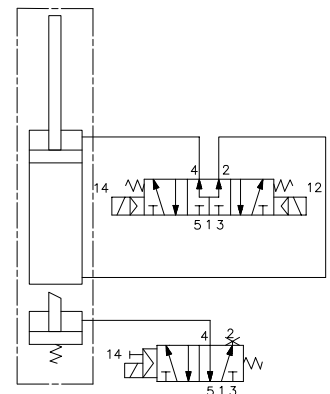
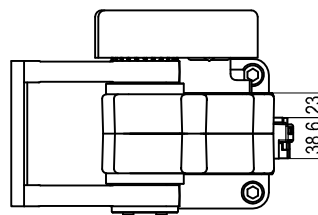
Electronic 24 Vdc sensor with M12 swivel connector that can be orientated at 0° or 90°

Protection class: **IP 65**

Subject to technical modifications without notice.



Passive Safety brake:
it stops in absence of signal
conforming to 89/392/CEE
Directive



Size	Holding moment	Max. torque at the rotary table 0,55 MPa	Weight
170	4000 Nm	170 Nm	24.5 Kg.

* : TOLERANCE BETWEEN DOWEL HOLES ± 0.02 , TO SCREW HOLES ± 0.1
 ** : AREA TO ACCESS THE MANUAL UNBLOCKING OF THE SAFETY BRAKE,
 PRODUCT CODE: UAGP170VU_BM

Date	Change
18.07.08	Protection covers update

Subject to technical modifications without notice.

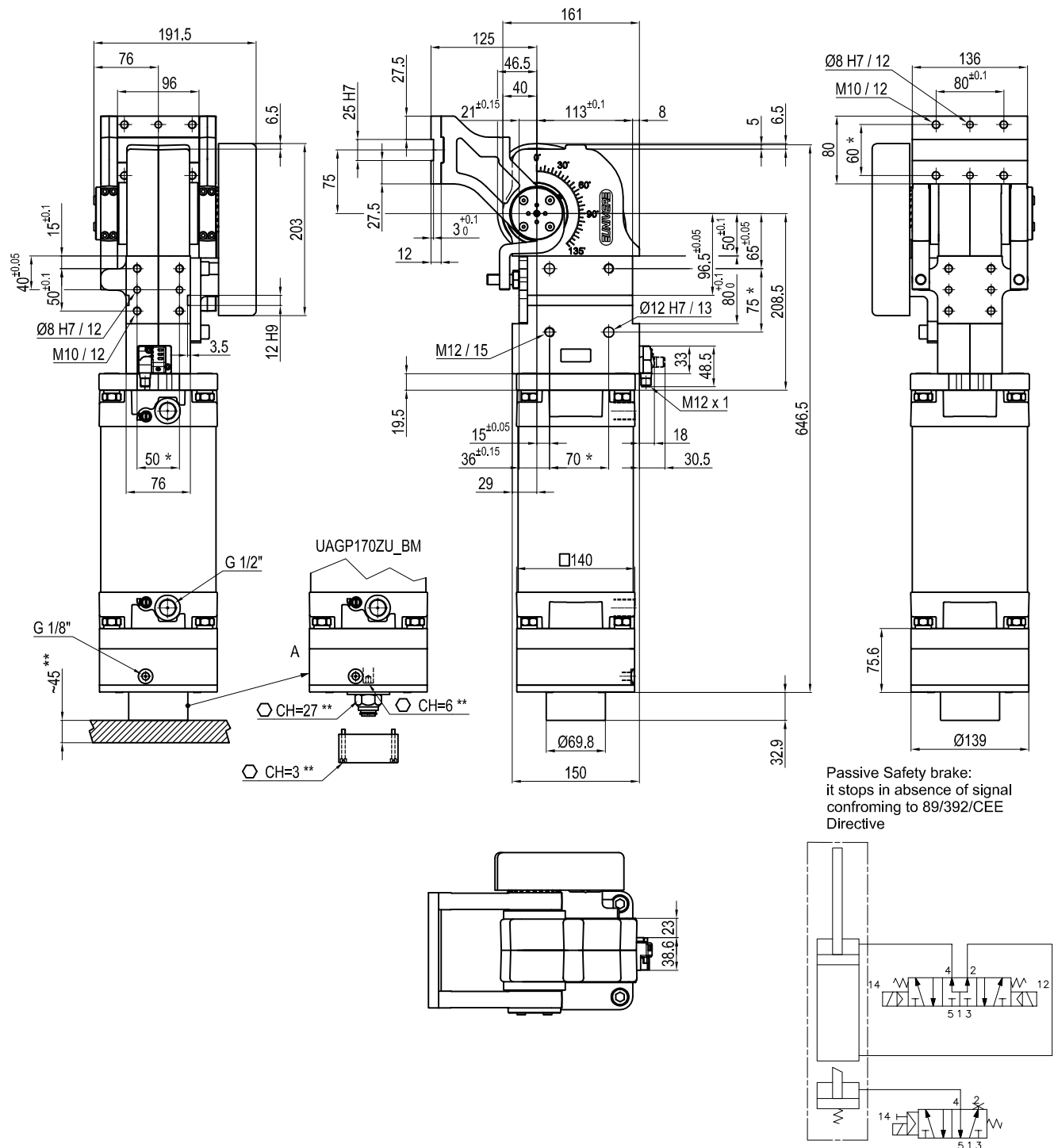
Min./Max. operating pressure: **0,4 / 0,8 MPa**
 Operating temperature: **5° ÷ 45° C**

Pivot rotation in degrees: **15° - 30° - 45° - 60° - 75° - 90° - 105° - 120°**
 adjustable opening angles in 15° increments

Vertical arm mount position

Electronic 24 Vdc sensor with M12 swivel connector
 that can be orientated at 0° or 90°

Protection class: **IP 65**



Passive Safety brake:
it stops in absence of signal
conforming to 89/392/CEE
Directive

Size	Holding moment	Max. torque at the rotary table 0,55 MPa	Weight
170	4000 Nm	170 Nm	25.1 Kg.

* : TOLERANCE BETWEEN DOWEL HOLES ± 0.02, TO SCREW HOLES ± 0.1
 ** : AREA TO ACCESS THE MANUAL UNBLOCKING OF THE SAFETY BRAKE,
 PRODUCT CODE: UAGP170ZU_BM

Min./Max. operating pressure: **0,4 / 0,8 MPa**
 Operating temperature: **5° ÷ 45° C**

Pivot rotation in degrees: **15° - 30° - 45° - 60° - 75° - 90° - 105° - 120°**
 adjustable opening angles in 15° increments

Vertical arm mount position

Electronic 24 Vdc sensor with M12 swivel connector
 that can be orientated at 0° or 90°

Protection class: **IP 65**

Subject to technical modifications without notice.