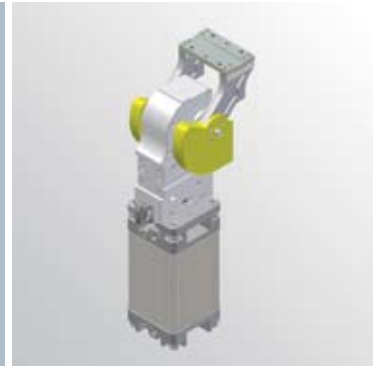


LAGP170

Power pivot



| | | | | | | | | | | | | | |
|---|---|---|---|---|---|---|---|---|---|---|---|---|---|
| L | A | G | P | 1 | 7 | 0 | V | U | 0 | 9 | 0 | B | |
| 1 | | 2 | | 3 | | | 4 | | 5 | | 6 | | 7 |

| | | |
|-----------------|------------------|---------------|
| 1 Series | 2 Version | 3 Size |
|-----------------|------------------|---------------|

LAG = Power pivot with predetermine pivot rotation in degrees

P = Pneumatic standard

170

| | | |
|-------------------------|------------------------|------------------------------------|
| 4 Table position | 5 Sensing style | 6 Pivot rotation in degrees |
|-------------------------|------------------------|------------------------------------|

V = Vertical 180°

O = Horizontal 90°

Z = Vertical mount style symmetrical to V mount style.

Max. opening angle 120°

P = Horizontal mount style symmetrical to O mount style.

Max. opening angle 60°

U = Electronic sensor with M12 swivel connector, 24 Vcc.

120 = 120°

090 = 90°

060 = 60°

045 = 45°

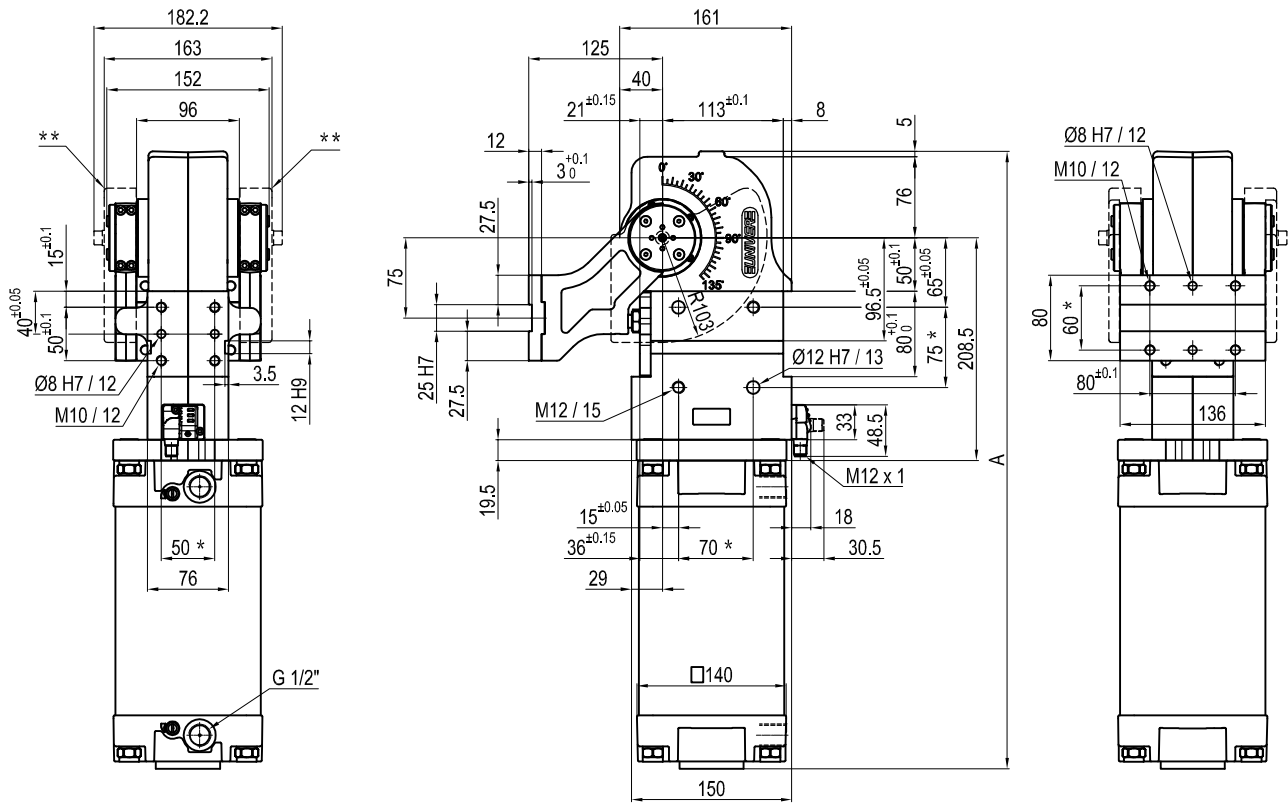
| |
|-----------------------|
| 7 Brake system |
|-----------------------|

B = With safety brake

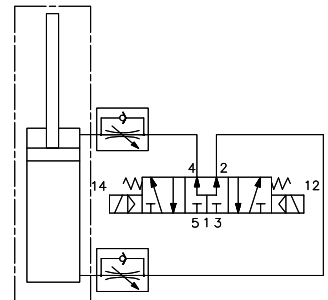
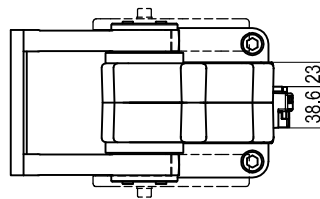
W = Without safety brake



Pneumatic power pivot



| Pivot rotation in degrees | A |
|---------------------------|-------|
| 45° | 516 |
| 60° | 527.5 |
| 90° | 552.5 |
| 120° | 578 |



| Size | Holding moment | Max. torque at the rotary table 0,55 MPa | Weight |
|------|----------------|--|--------|
| 170 | 4000 Nm | 170 Nm | 20 Kg |

Min./Max. operating pressure: **0,4 / 0,8 MPa**

Operating temperature: **5° ÷ 45° C**

Predetermine pivot rotation in degrees: **45° - 60° - 90° - 120°**

Vertical arm mount position

Electronic 24 Vdc sensor with M12 swivel connector that can be orientated at 0° or 90°

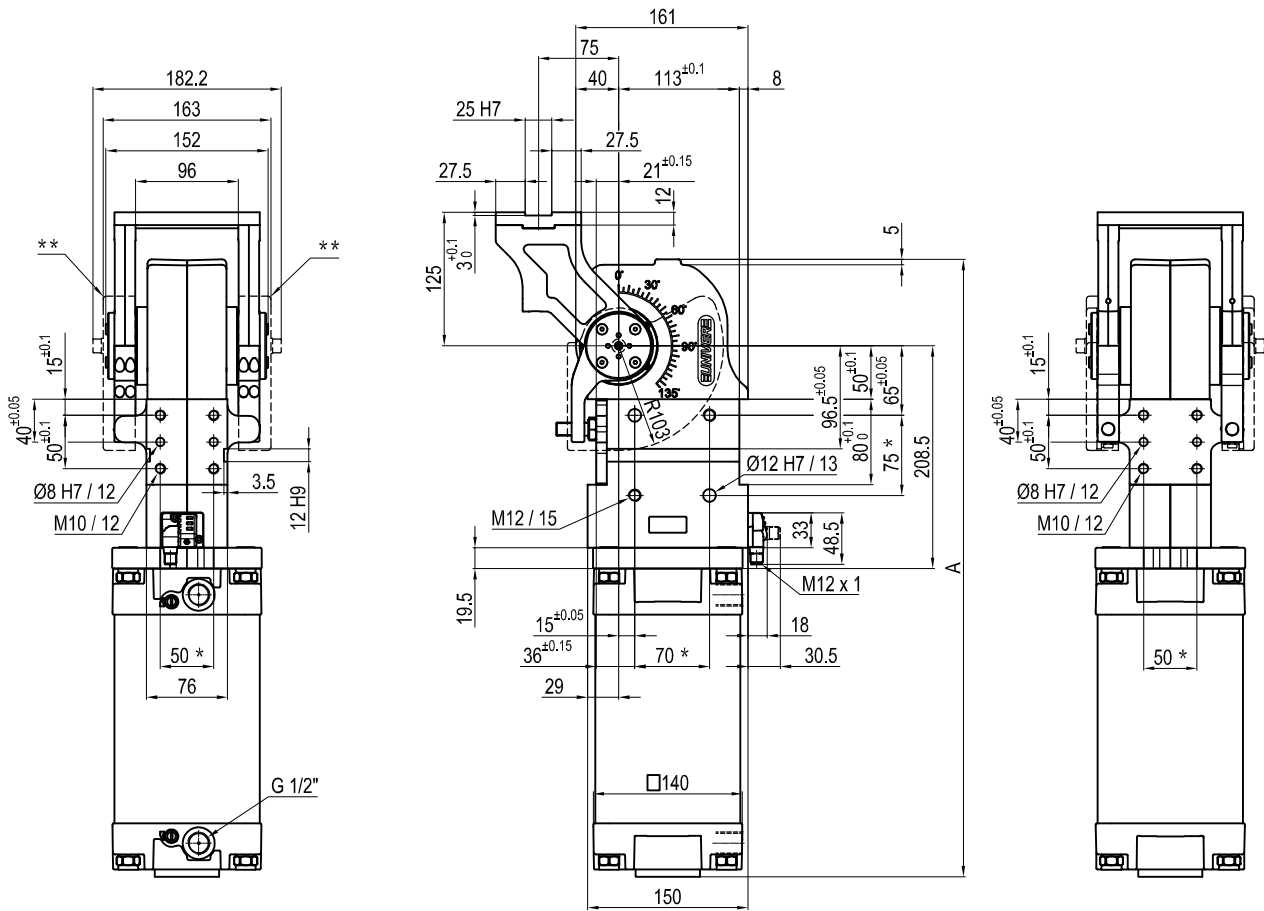
Protection class: **IP 65**

* : TOLERANCE BETWEEN DOWEL HOLES ± 0.02, TO SCREW HOLES ± 0.1

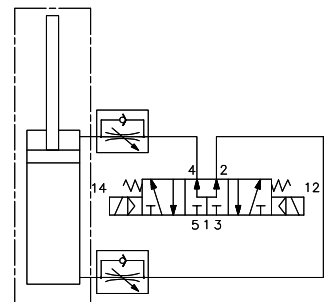
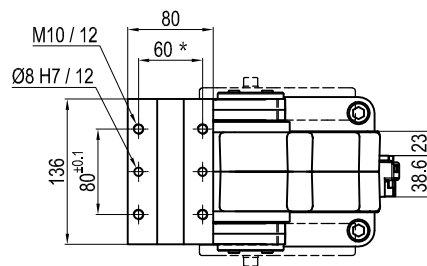
** : TO BE ORDERED SEPARATELY

Subject to technical modifications without notice.

Pneumatic power pivot



| Pivot rotation in degrees | A |
|---------------------------|-------|
| 45° | 516 |
| 60° | 527.5 |
| 90° | 552.5 |
| 120° | 578 |



| Size | Holding moment | Max. torque at the rotary table 0,55 MPa | Weight |
|------|----------------|--|--------|
| 170 | 4000 Nm | 170 Nm | 20 Kg |

Min./Max. operating pressure: **0,4 / 0,8 MPa**

Operating temperature: **5° ÷ 45° C**

Predetermine pivot rotation in degrees: **45° - 60° - 90° - 120°**

Horizontal arm mount position

Electronic 24 Vdc sensor with M12 swivel connector that can be orientated at 0° or 90°

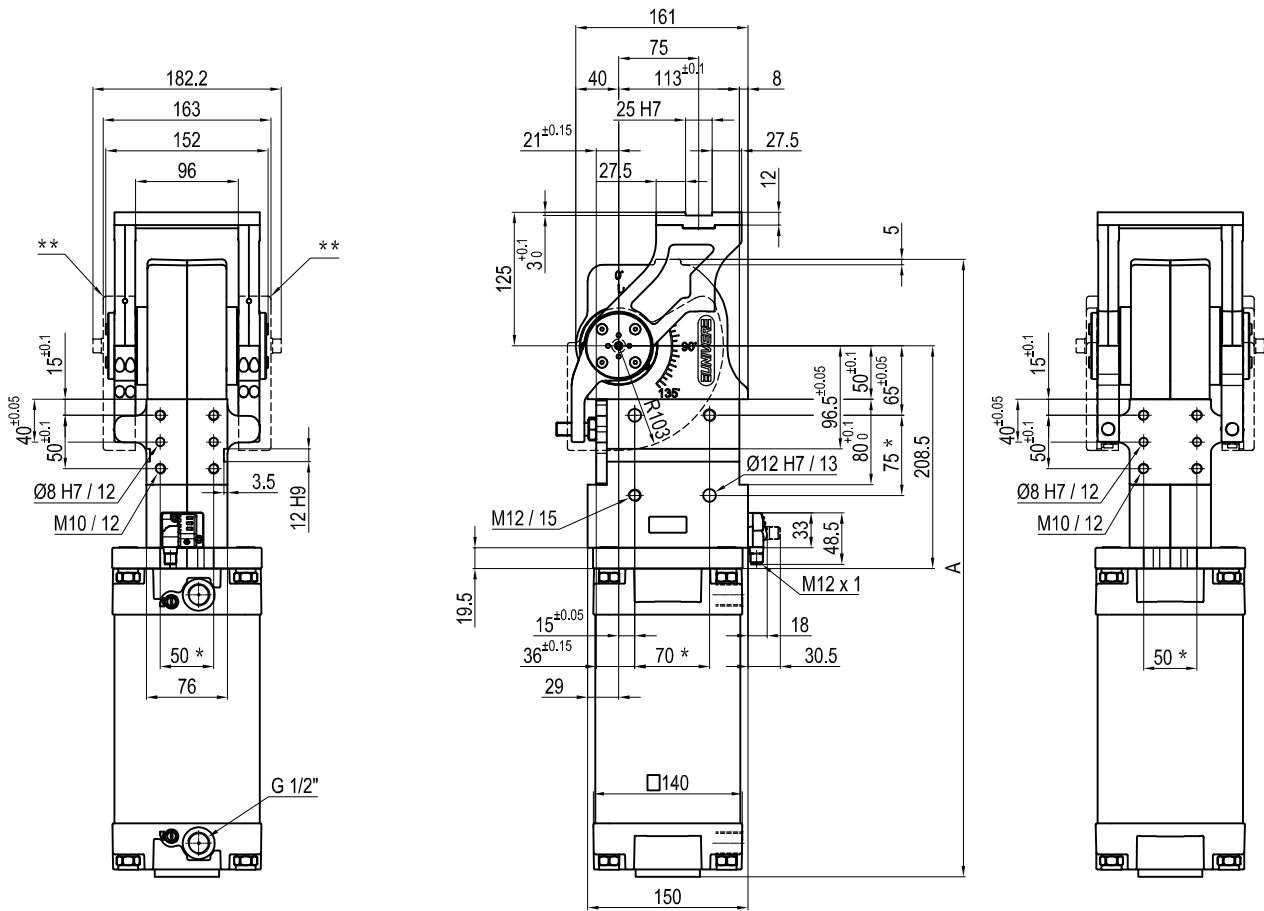
Protection class: **IP 65**

* : TOLERANCE BETWEEN DOWEL HOLES ± 0.02, TO SCREW HOLES ± 0.1

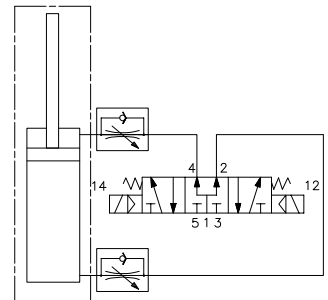
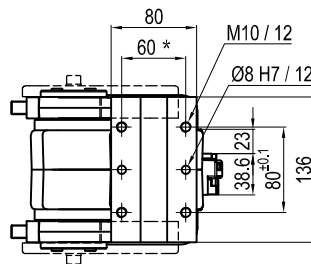
** : TO BE ORDERED SEPARATELY

Subject to technical modifications without notice.

Pneumatic power pivot



| Pivot rotation in degrees | A |
|---------------------------|-------|
| 45° | 516 |
| 60° | 527.5 |



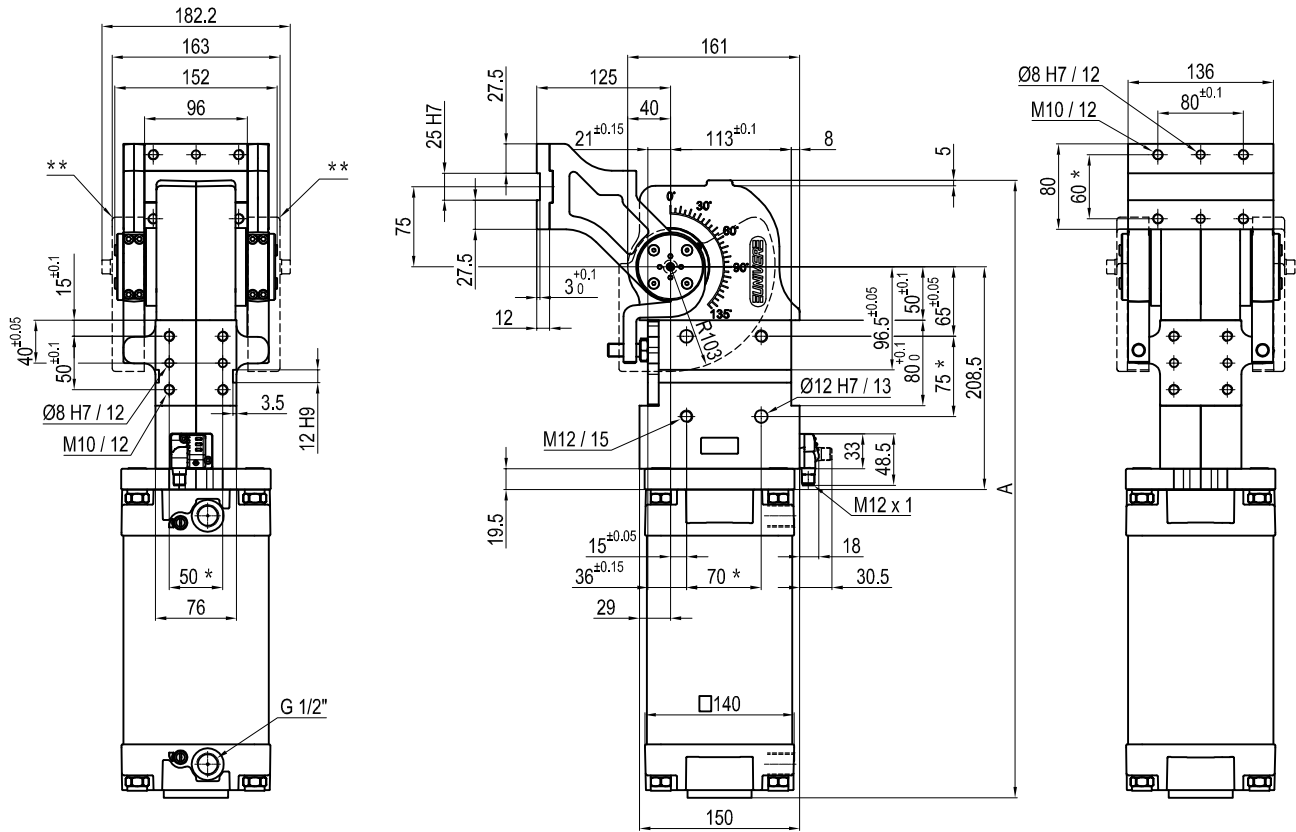
| Size | Holding moment | Max. torque at the rotary table 0,55 MPa | Weight |
|------|----------------|--|--------|
| 170 | 4000 Nm | 170 Nm | 20 Kg |

Min./Max. operating pressure: **0,4 / 0,8 MPa**
 Operating temperature: **5° ÷ 45° C**
 Predetermine pivot rotation in degrees: **45° - 60° - 90° - 120°**
 Horizontal arm mount position
 Electronic 24 Vdc sensor with M12 swivel connector that can be orientated at 0° or 90°
 Protection class: **IP 65**

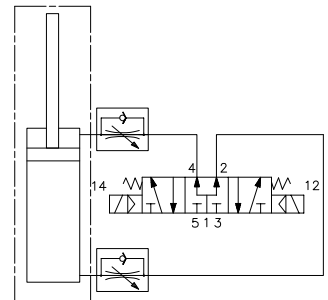
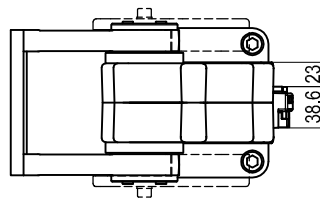
* : TOLERANCE BETWEEN DOWEL HOLES ± 0.02, TO SCREW HOLES ± 0.1
 ** : TO BE ORDERED SEPARATELY

Subject to technical modifications without notice.

Pneumatic power pivot



| Pivot rotation in degrees | A |
|---------------------------|-------|
| 45° | 516 |
| 60° | 527.5 |
| 90° | 552.5 |
| 120° | 578 |



| Size | Holding moment | Max. torque at the rotary table 0,55 MPa | Weight |
|------|----------------|--|--------|
| 170 | 4000 Nm | 170 Nm | 20 Kg |

Min./Max. operating pressure: **0,4 / 0,8 MPa**

Operating temperature: **5° ÷ 45° C**

Predetermine pivot rotation in degrees: **45° - 60° - 90° - 120°**

Vertical arm mount position

Electronic 24 Vdc sensor with M12 swivel connector that can be orientated at 0° or 90°

Protection class: **IP 65**

* : TOLERANCE BETWEEN DOWEL HOLES ± 0.02, TO SCREW HOLES ± 0.1

** : TO BE ORDERED SEPARATELY

Subject to technical modifications without notice.